



US00D375593S

United States Patent [19]

Wareham

[11] Patent Number: **Des. 375,593**

[45] Date of Patent: ****Nov. 12, 1996**

[54] PORTION OF A VACUUM CLEANER

[75] Inventor: **Richard A. Wareham**, North Canton, Ohio

[73] Assignee: **The Hoover Company**, North Canton, Ohio

[**] Term: **14 Years**

[21] Appl. No.: **31,411**

[22] Filed: **Nov. 25, 1994**

Related U.S. Application Data

[62] Division of Ser. No. 8,532, May 19, 1993.

[52] U.S. Cl. **D32/31**

[58] Field of Search **D32/21, 23-24; 15/320-321, 323, 327.1-327.7, 353, 246.5**

[56] References Cited

U.S. PATENT DOCUMENTS

D. 208,398	8/1967	Otto et al.	D32/16
D. 255,357	6/1980	Brooks et al.	D32/23
D. 261,515	10/1981	Schaefer et al.	D32/23
D. 280,768	9/1985	Feravis et al.	D32/23
D. 324,430	3/1992	Pino	D32/23
D. 334,376	2/1993	Worwag	D32/23
D. 338,294	8/1993	Kohler	D32/23

OTHER PUBLICATIONS

Montgomery Ward Cat, Fall & Winter 1975, p. 695 "Wet/Dry Vacuum Cleaners".

Best Products Cat, 1981/82, p. 199 "Items 5-7 Vac. Cleaners".

Sears 1983, Spring & Summer, p. 839. "Items 4-5 Wet-Dry Vac. Cleaners".

Primary Examiner—Ruth McInroy

Attorney, Agent, or Firm—A. Burgess Lowe

[57] CLAIM

The ornamental design for a portion of a vacuum cleaner, as shown and described.

DESCRIPTION

FIG. 1 is a front elevational view of my new ornamental design;

FIG. 2 is a left side elevational view of my ornamental design;

FIG. 3 is a right side elevational view of my new ornamental design;

FIG. 4 is a top plan view of my new ornamental design;

FIG. 5 is a front elevational view of a second embodiment thereof;

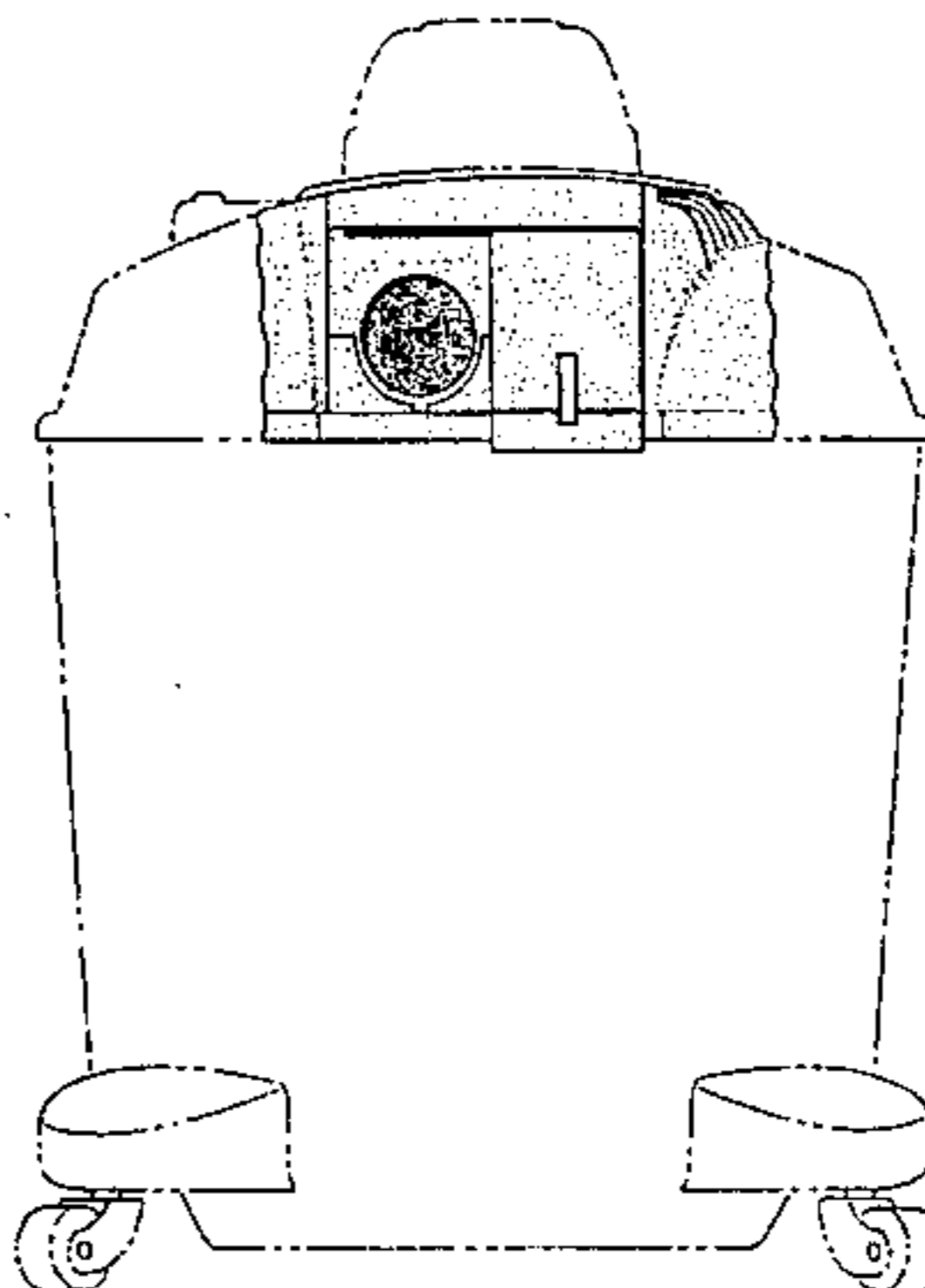
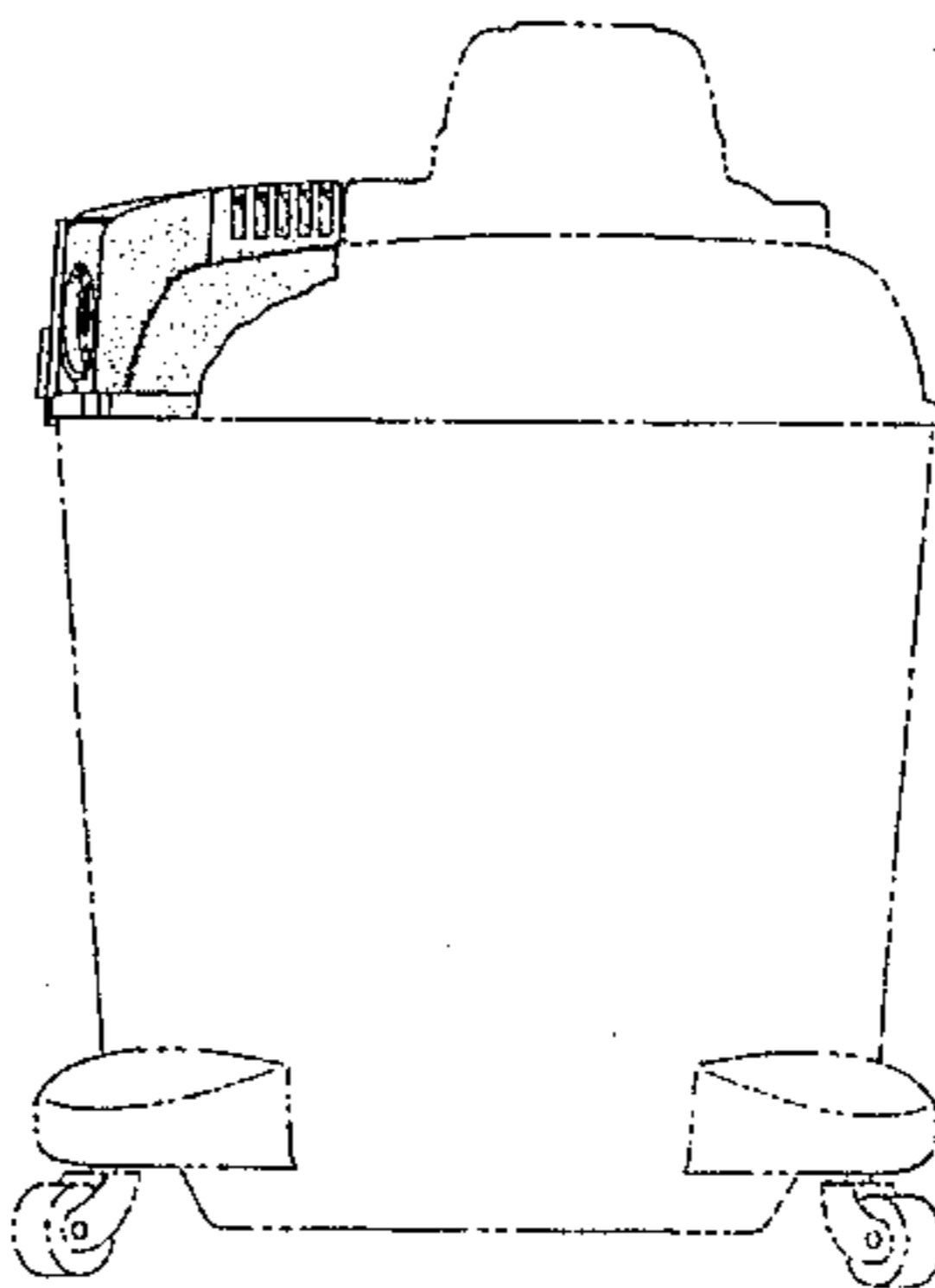
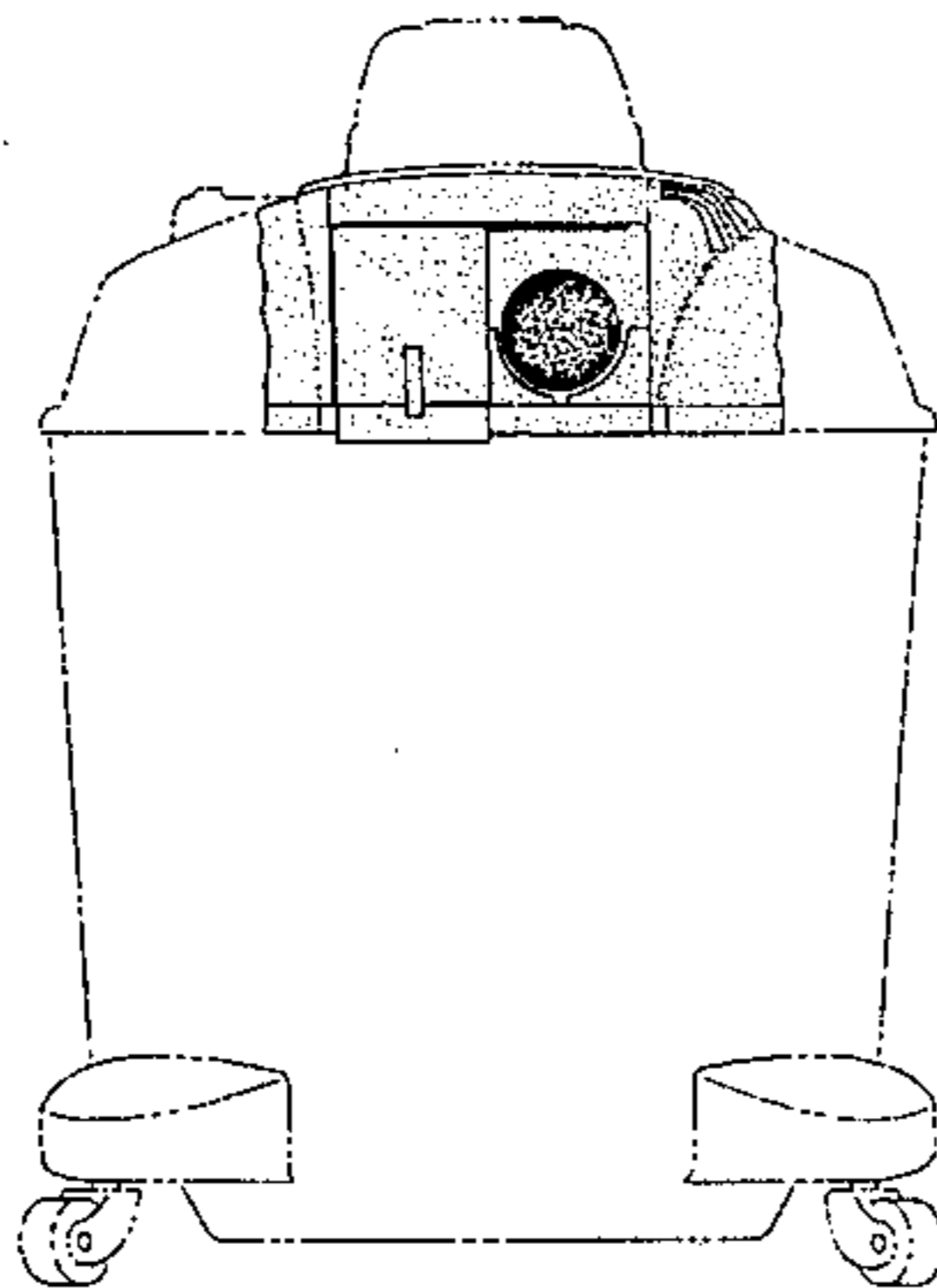
FIG. 6 is a left side elevational view of the alternate embodiment as shown in FIG. 5;

FIG. 7 is a right side elevational view of the alternate embodiment as shown in FIG. 5; and,

FIG. 8 is a top plan view of the alternate embodiment as shown in FIG. 5.

The details shown in broken lines are shown for illustrative purposes only and form no part of the claimed design.

1 Claim, 8 Drawing Sheets



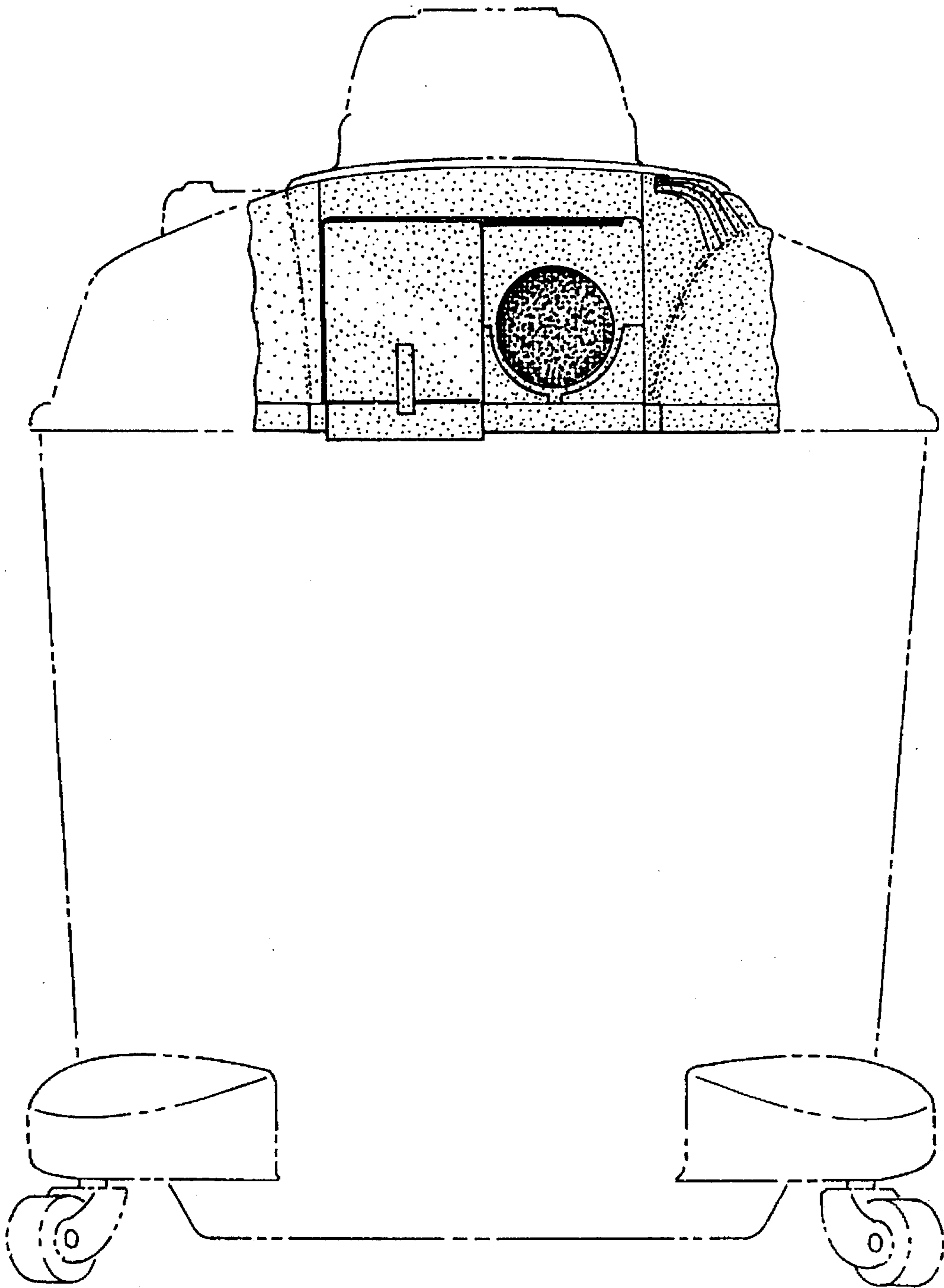


FIG. - 1

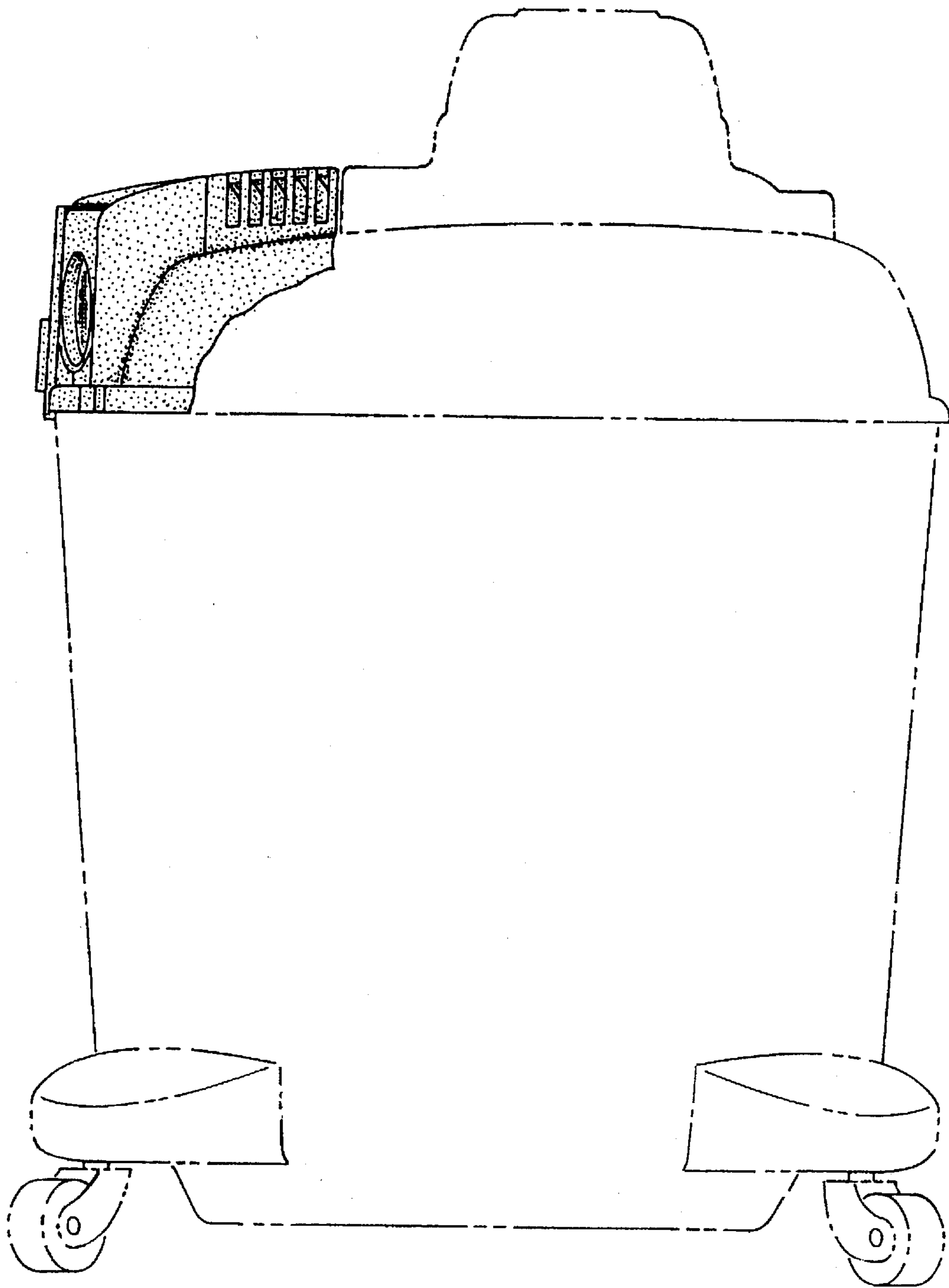


FIG.-2

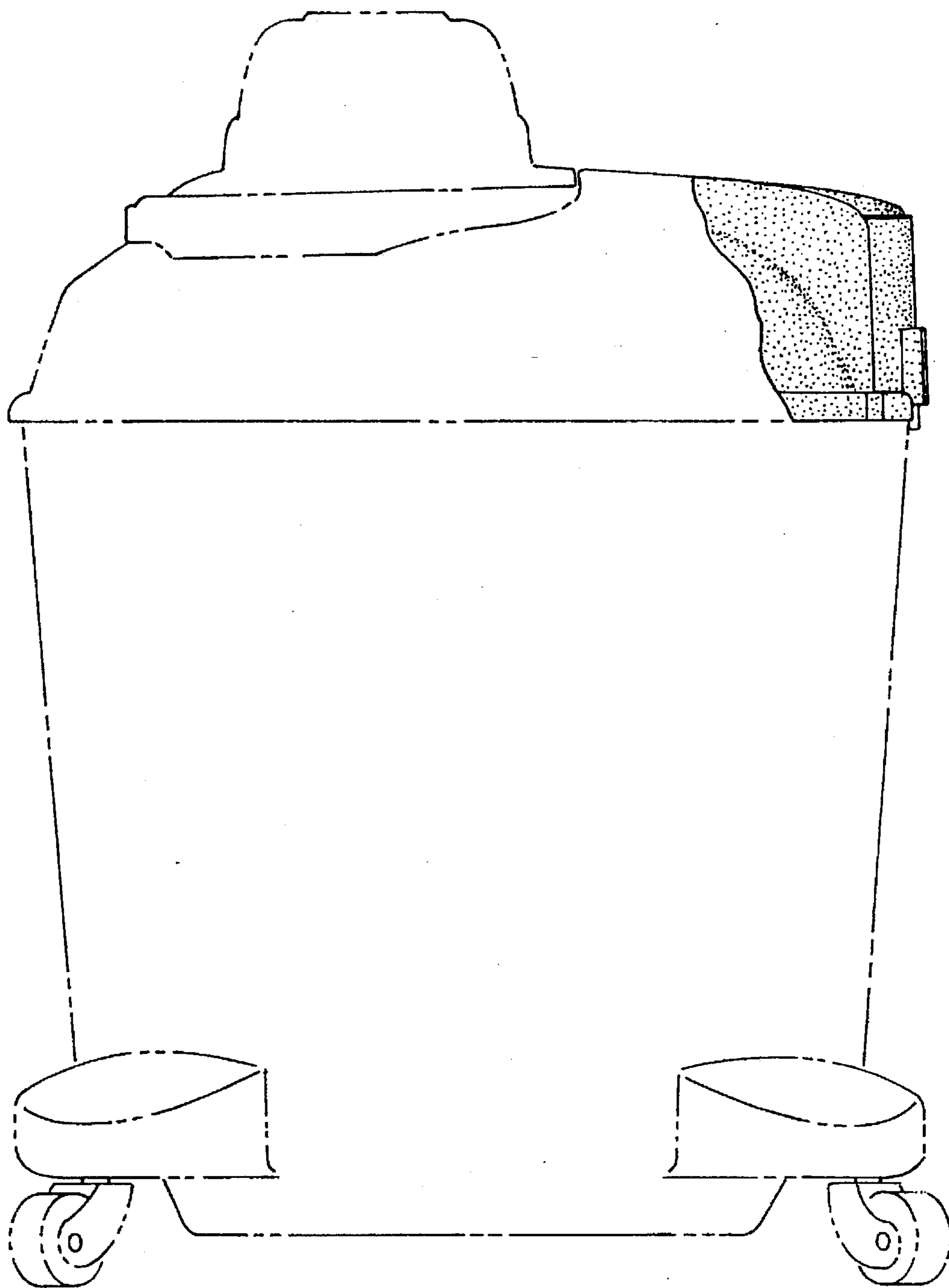


FIG.-3

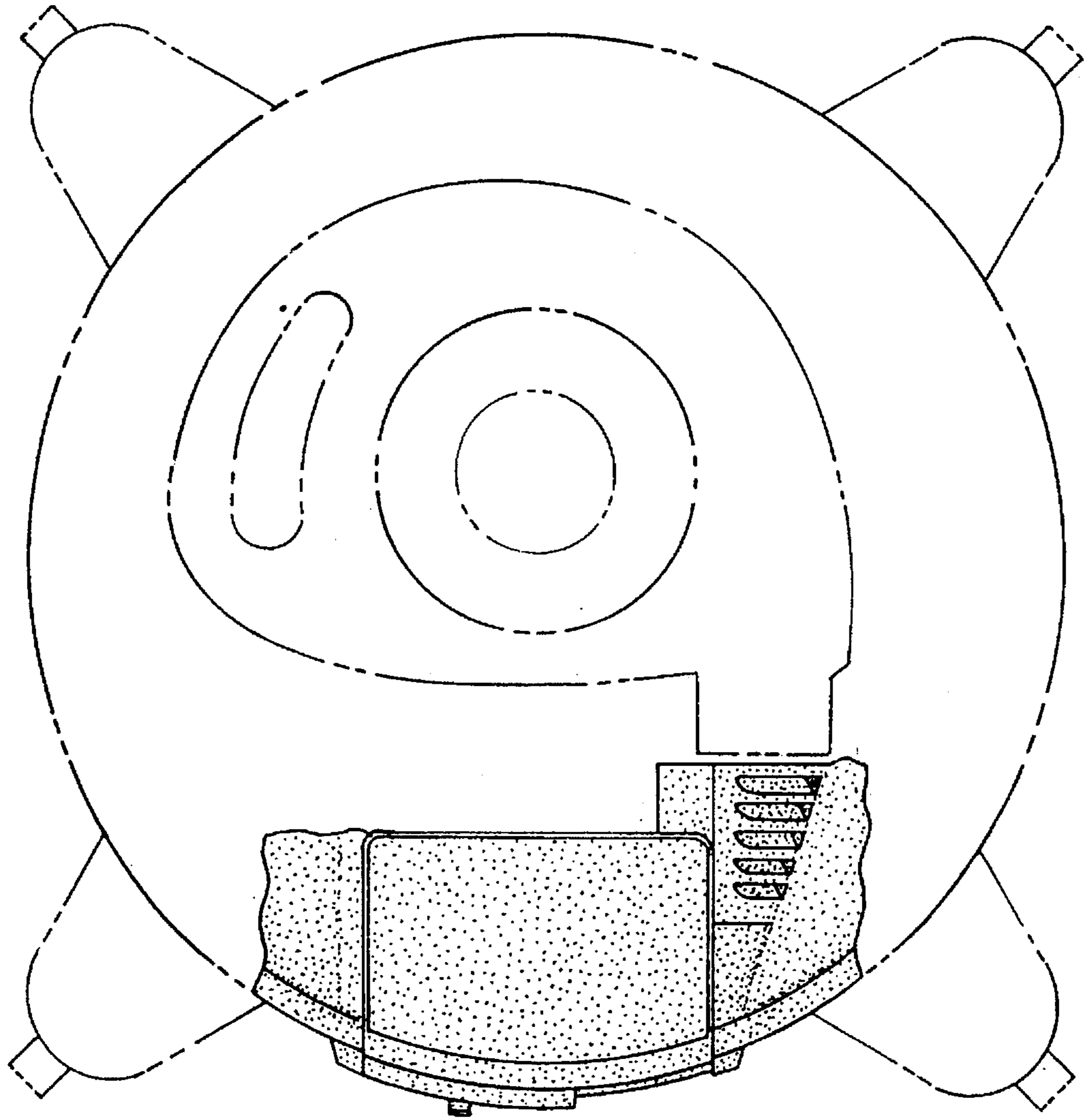


FIG.-4

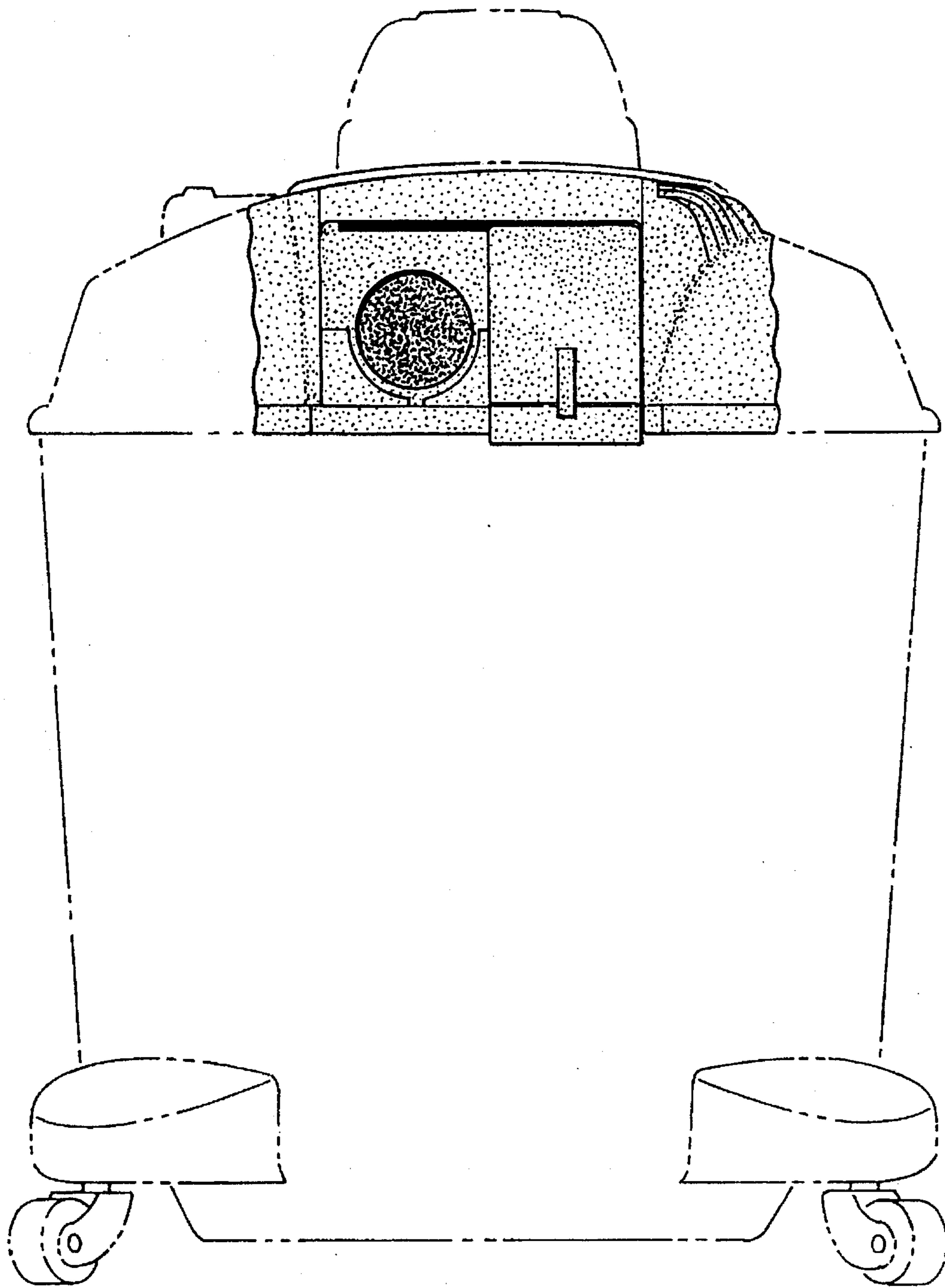


FIG.- 5

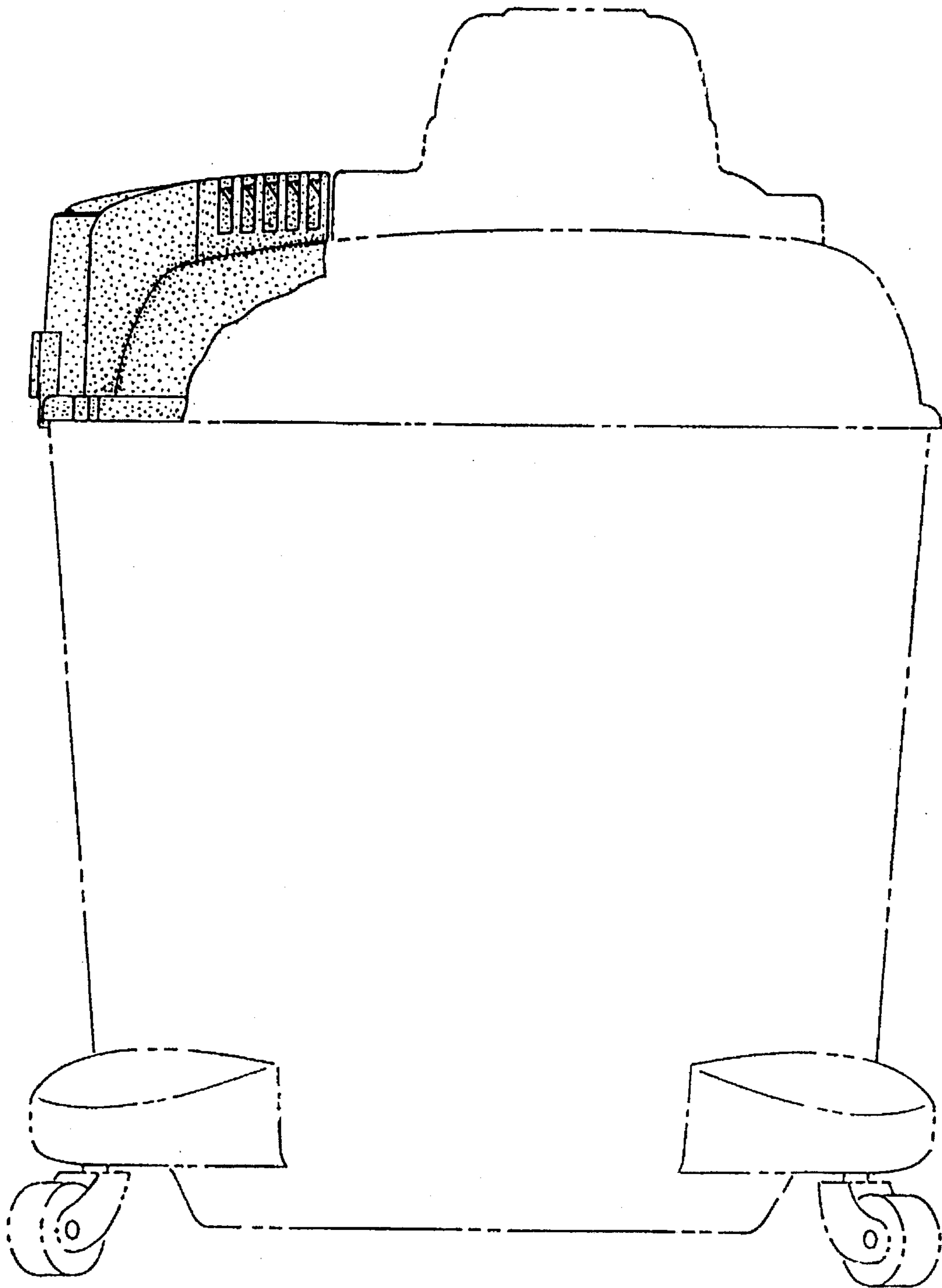


FIG.-6

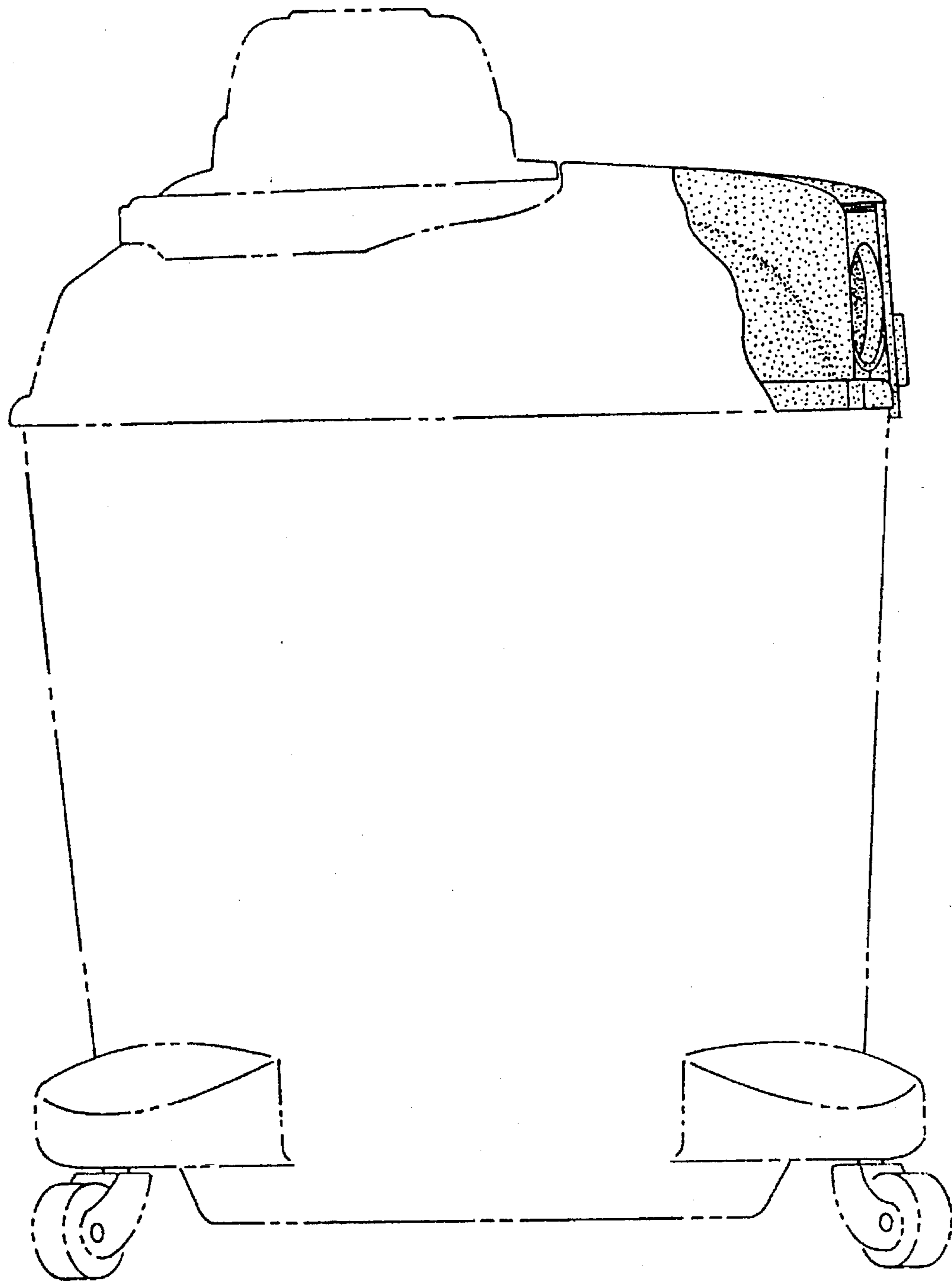


FIG.-7

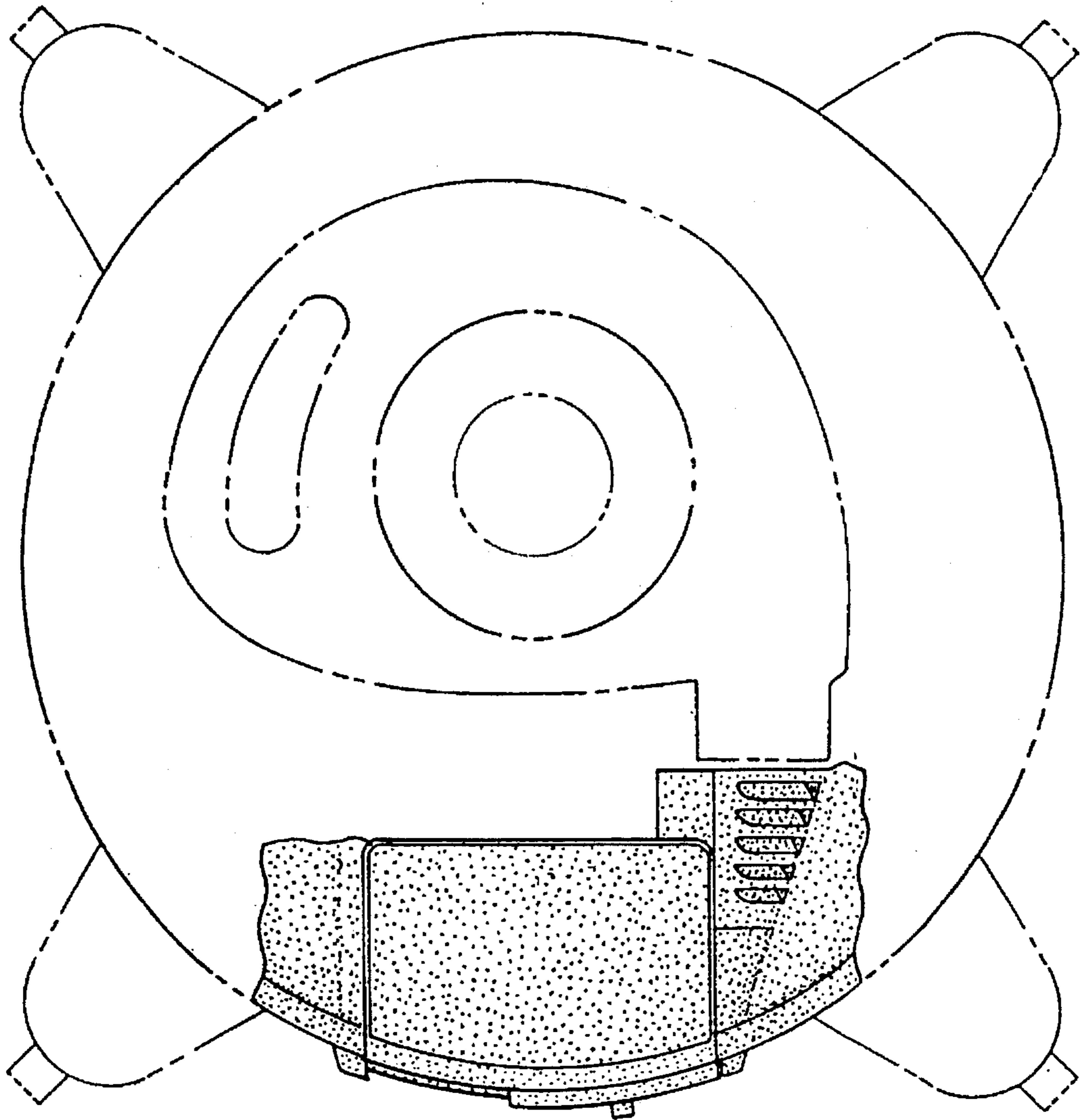


FIG.-8