



US00D375591S

United States Patent [19]

[11] Patent Number: **Des. 375,591**

Fryoux

[45] Date of Patent: ****Nov. 12, 1996**

[54] **SURFACE CLEANER**

[76] Inventor: **Jules J. Fryoux**, 5236 Floynell, Baton Rouge, La. 70809

[**] Term: **14 Years**

[21] Appl. No.: **31,881**

[22] Filed: **Dec. 8, 1994**

[52] U.S. Cl. **D32/15**

[58] Field of Search D32/15, 14; D15/14-15; 15/21.1, 49.1-52.2, 78, 79.1, 79.2, 80-82; 56/229, 239, 255-256, DIG. 9; 239/124, 251, 532, 253, 288.5, 754; 134/172, 176, 179, 201

4,339,840	7/1982	Monson	15/321
4,340,176	7/1982	Bernard	239/102
4,377,018	3/1983	Cain	15/322
4,443,271	4/1984	Goerss	134/34
4,527,739	7/1985	Parma et al.	239/186
4,821,961	4/1989	Shook	239/253
4,895,179	1/1990	Hart	134/172
4,903,364	2/1990	Long	15/50 R
5,028,004	7/1991	Hammelmann	239/120
5,078,161	1/1992	Raghavan et al.	134/16
5,135,015	8/1992	Young	134/179
5,213,480	5/1993	Yedinak et al.	417/234
5,228,623	7/1993	Raghavan et al.	239/227
5,263,504	11/1993	Bailey et al.	134/176
5,265,805	11/1993	Artenian	239/135
5,355,666	10/1994	McDonner et al.	56/255

[56] **References Cited**

U.S. PATENT DOCUMENTS

D. 161,174	12/1950	Hainke	D15/14
D. 307,204	4/1990	Bradd	D32/25
D. 361,177	8/1995	Hoover	D32/15
3,314,099	4/1967	Otto	15/415.1
3,998,387	12/1976	Maasberg	239/102
4,047,666	9/1977	Hart	239/251
4,191,589	3/1980	Halls et al.	134/21
4,191,590	3/1980	Sundheim	134/21
4,200,236	4/1980	Briar	239/532
4,219,155	8/1980	Goerss	239/124
4,264,999	5/1981	Monson	15/321
4,333,204	6/1982	Monson	15/321
4,337,784	7/1982	Goerss	134/34

Primary Examiner—James M. Gandy
Assistant Examiner—Stacia Sinuik
Attorney, Agent, or Firm—David L. Ray

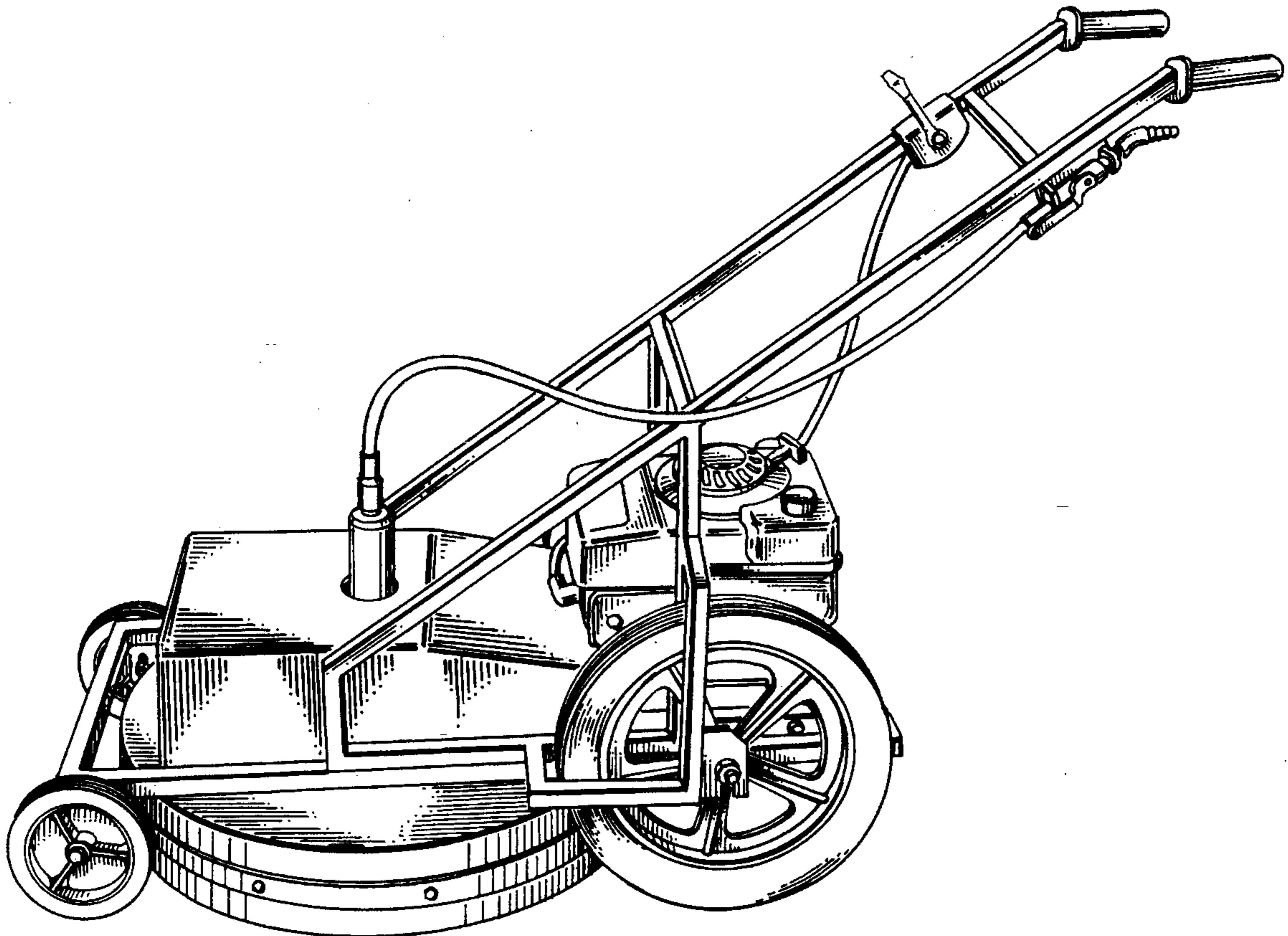
[57] **CLAIM**

The ornamental design for a surface cleaner, as shown.

DESCRIPTION

FIG. 1 is a side perspective view of a surface cleaner showing my new design;
FIG. 2 is a side elevational view thereof;
FIG. 3 is a rear elevational view thereof;
FIG. 4 is a front elevational view thereof; and,
FIG. 5 is a bottom perspective view thereof.

1 Claim, 4 Drawing Sheets



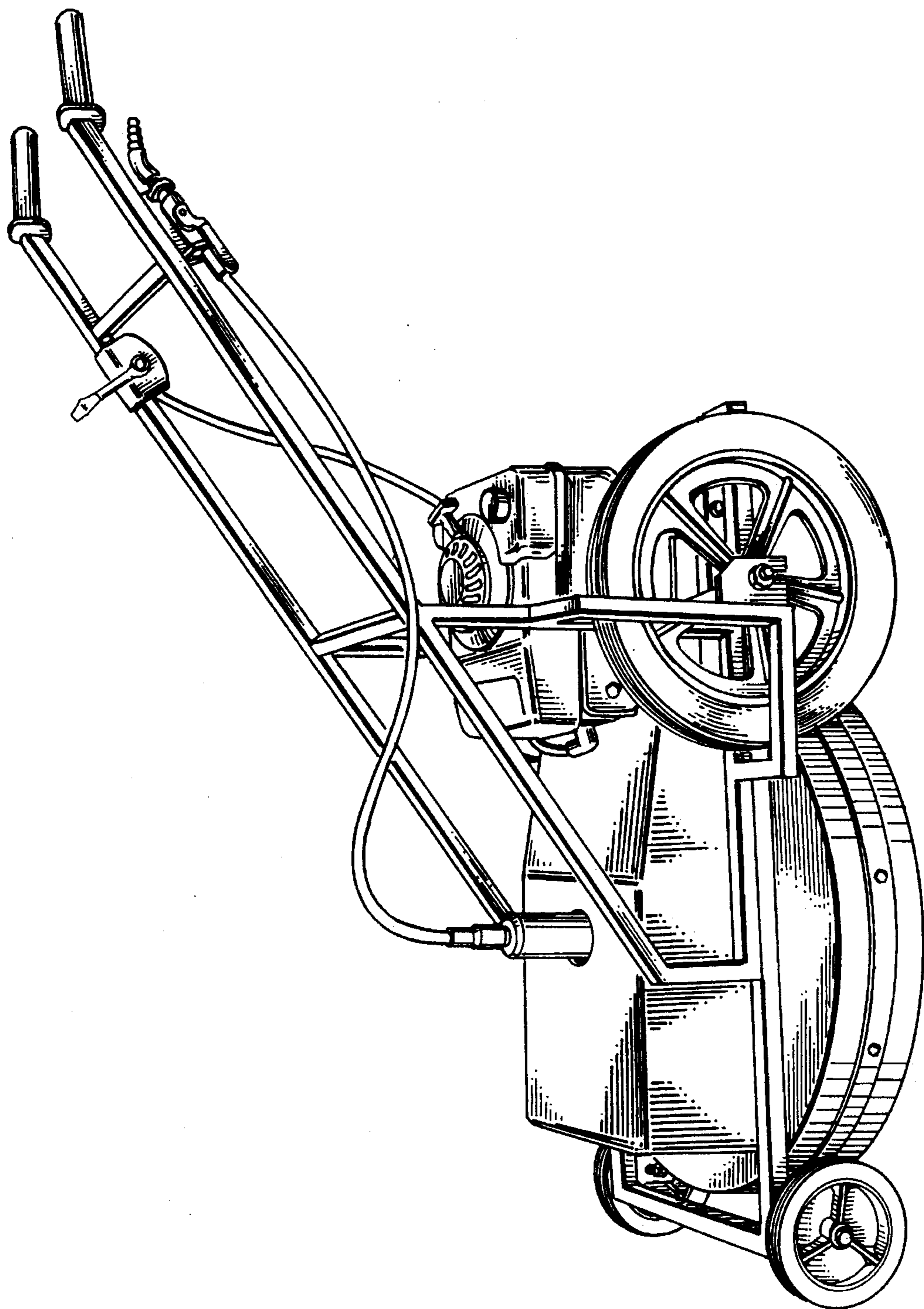


FIG. 1.

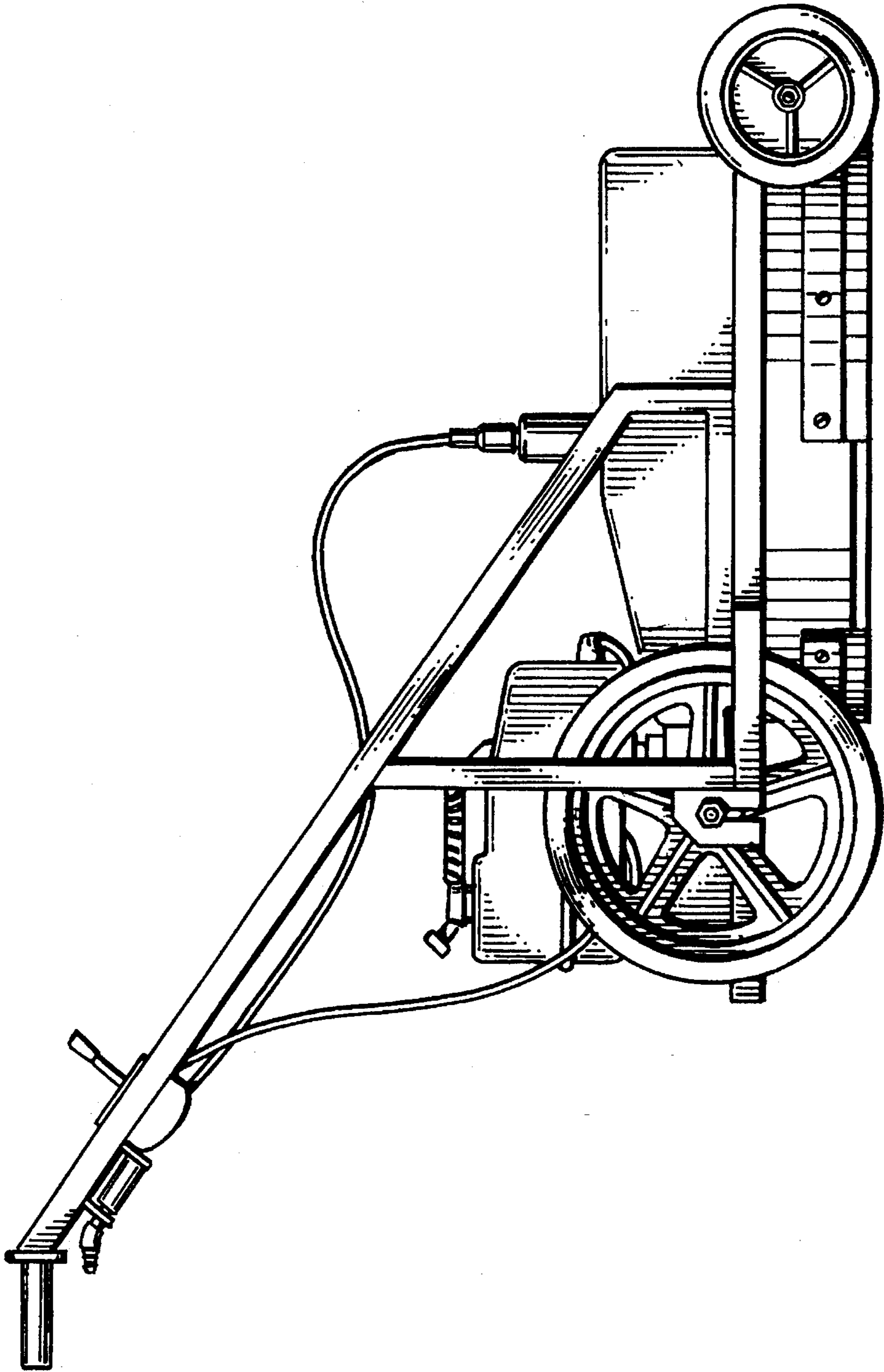


FIG. 2.

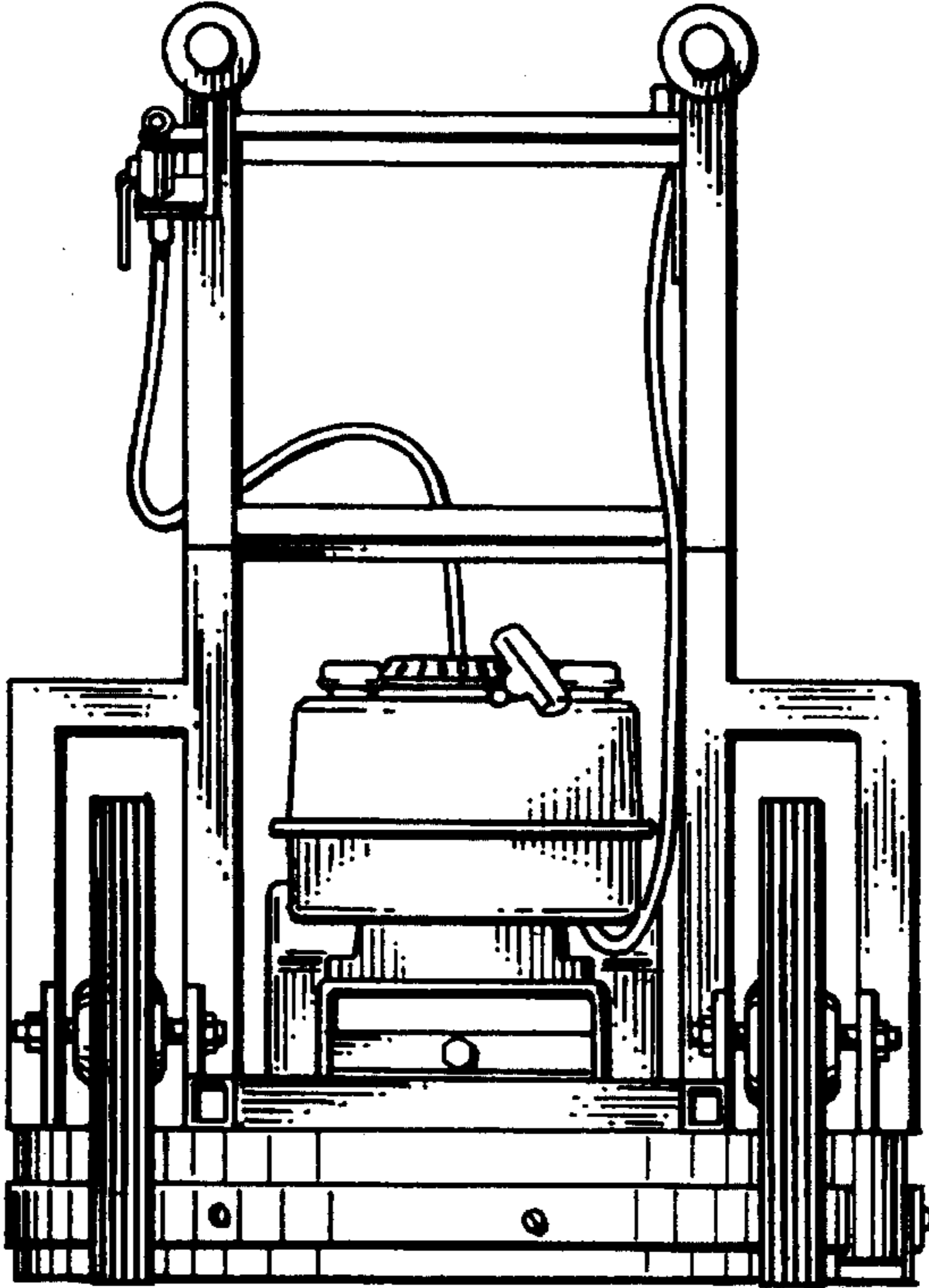


FIG. 3.

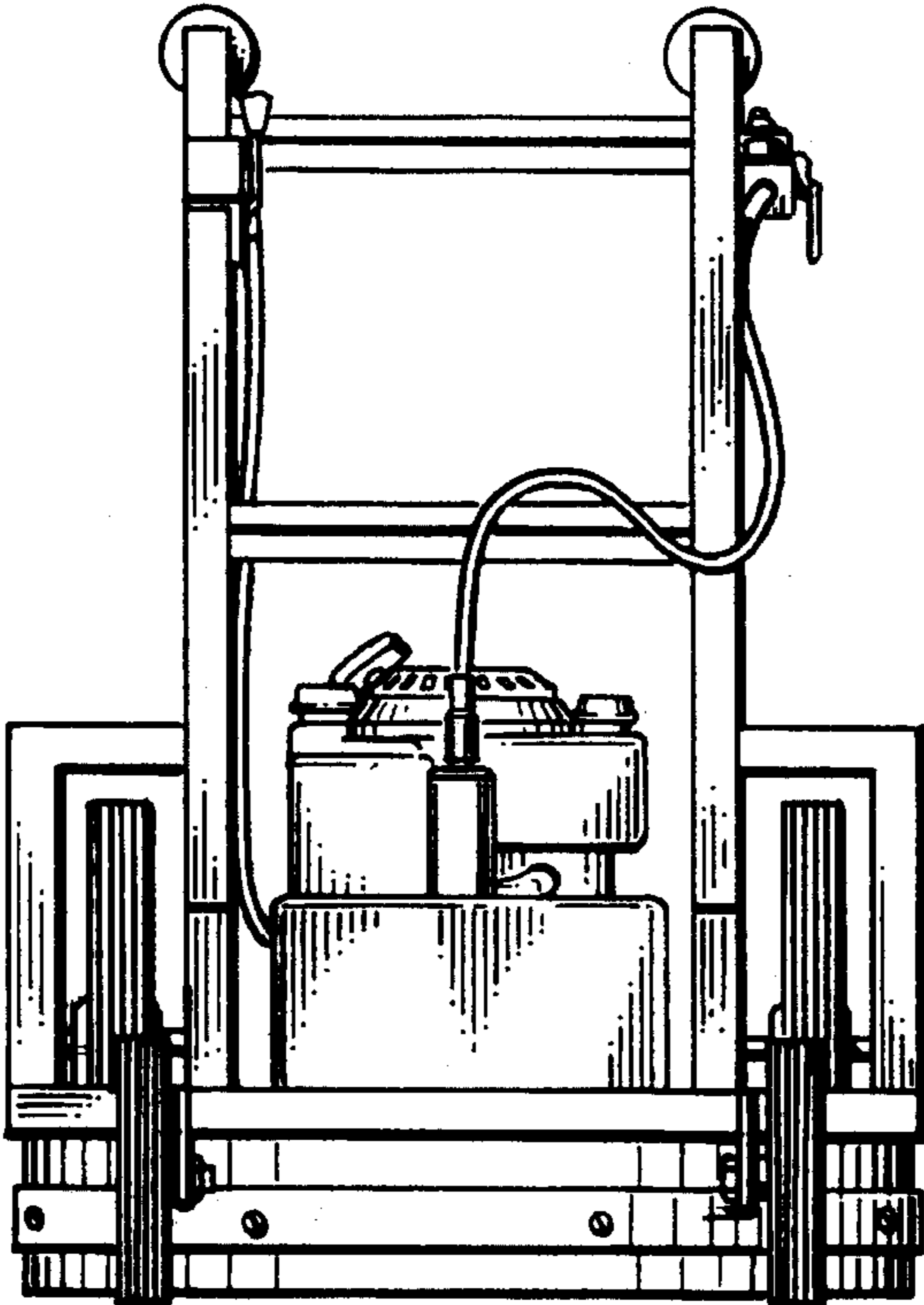


FIG. 4.

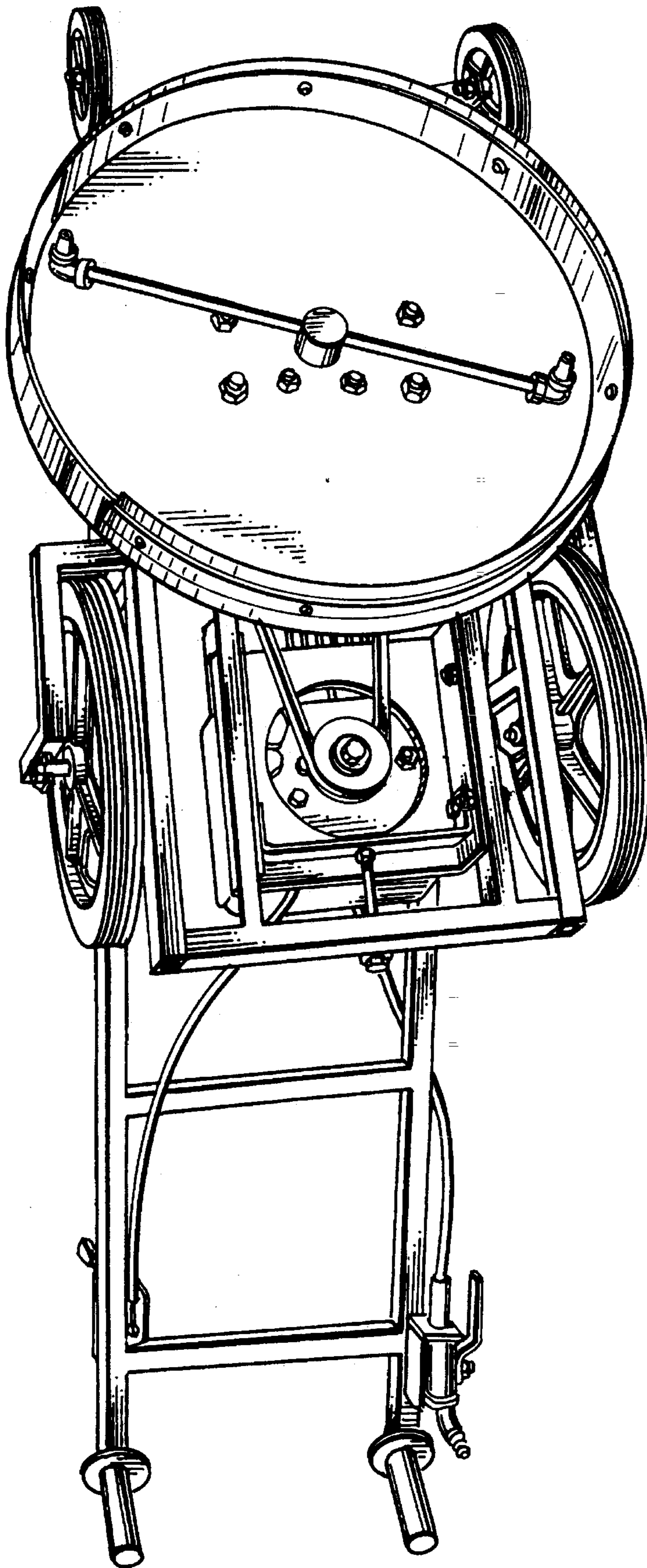


FIG. 5.