



US00D375580S

United States Patent [19] Giedd

[11] Patent Number: **Des. 375,580**

[45] Date of Patent: ****Nov. 12, 1996**

[54] **HAIR COLORING EASEL**

D. 341,276 11/1993 Jones D6/457
5,031,778 7/1991 Edgecombe 211/13

[76] Inventor: **Dennis Giedd**, 395 S. Topanga Canyon Blvd., Topanga, Calif. 90290

Primary Examiner—Terry A. Wallace

Assistant Examiner—C. Tuttle

[**] Term: **14 Years**

Attorney, Agent, or Firm—Sughrue, Mion, Zinn, Macpeak & Seas

[21] Appl. No.: **32,596**

[57] **CLAIM**

[22] Filed: **Dec. 21, 1994**

The ornamental design for a hair coloring easel, as shown and described.

[52] U.S. Cl. **D28/73**; D6/466; D6/476; D19/35

[58] Field of Search D28/9, 20, 73, D28/99; D6/457-469, 474-476; D19/35, 36, 75; 211/13, 71, 74, 128, 133

DESCRIPTION

FIG. 1 is a perspective view of the top, front and left side of a hair coloring easel showing my new design;

FIG. 2 is a right side elevational view thereof, the side opposite being a mirror image of the side shown; and,

FIG. 3 is a rear elevational view thereof.

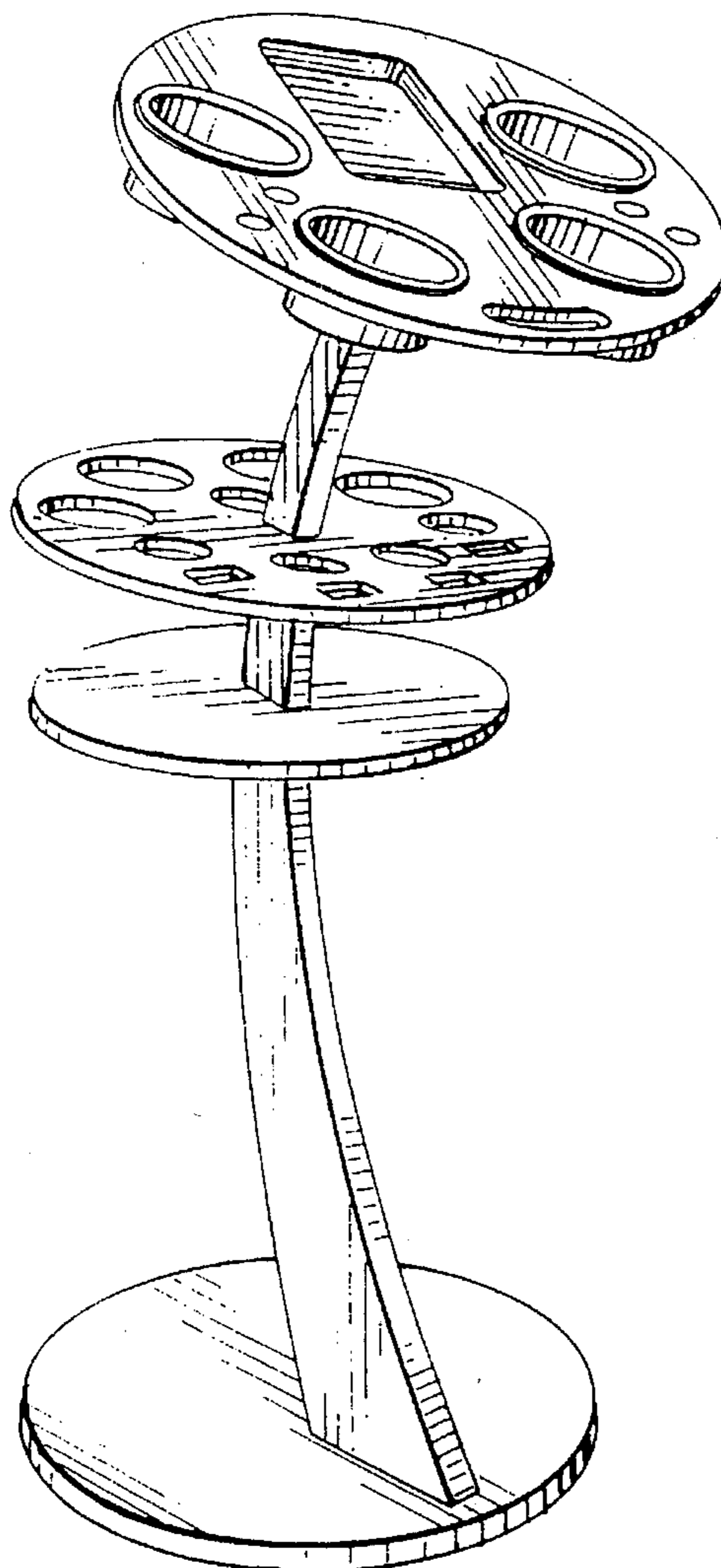
The bottom surface of the easel forms no part of the claimed design.

[56] **References Cited**

U.S. PATENT DOCUMENTS

- D. 141,487 6/1945 Burlin D6/457
- D. 146,059 12/1946 McCalla D28/9
- D. 189,535 1/1961 Rath, Jr. D6/469
- D. 234,381 2/1975 Berger D6/469
- D. 300,790 4/1989 Beckwith D6/466 X

1 Claim, 2 Drawing Sheets



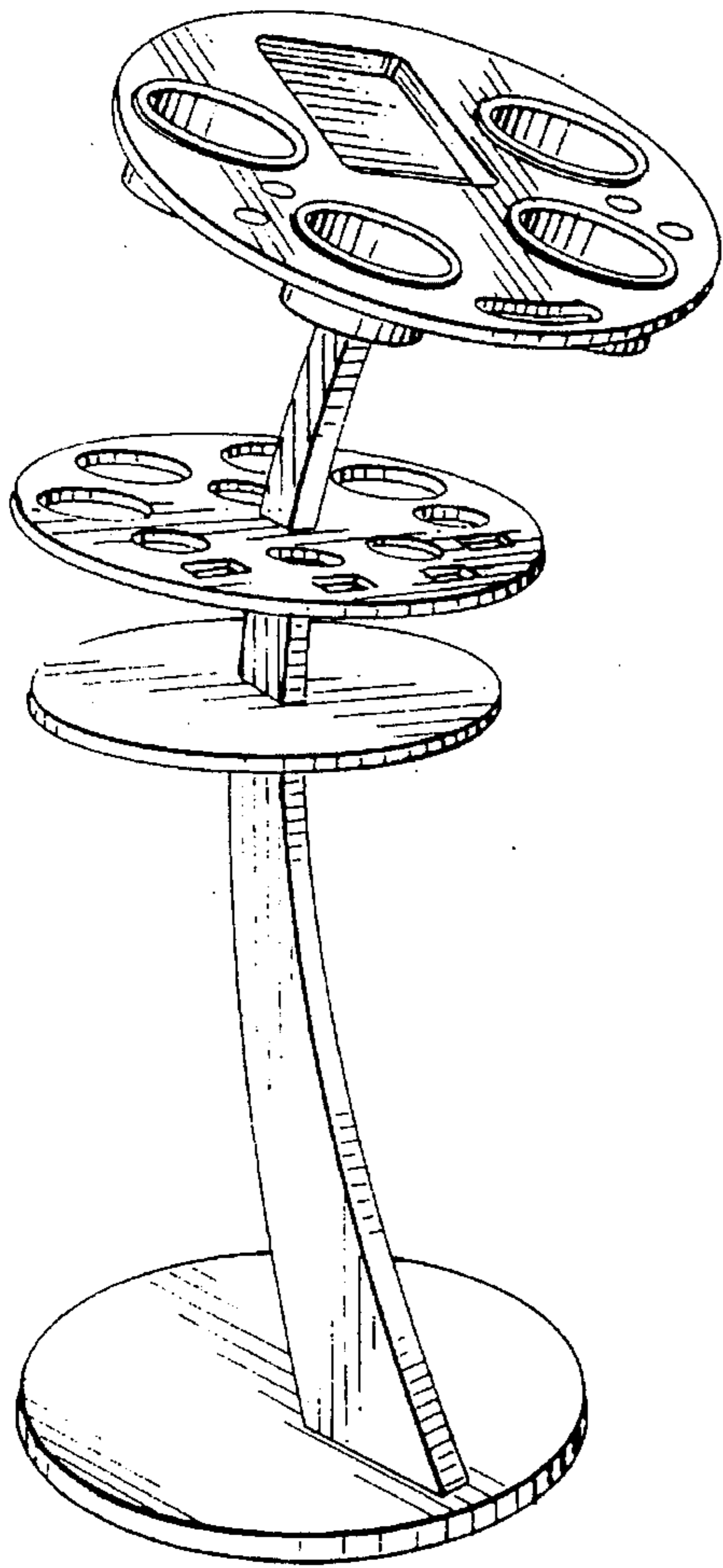


FIG. 1

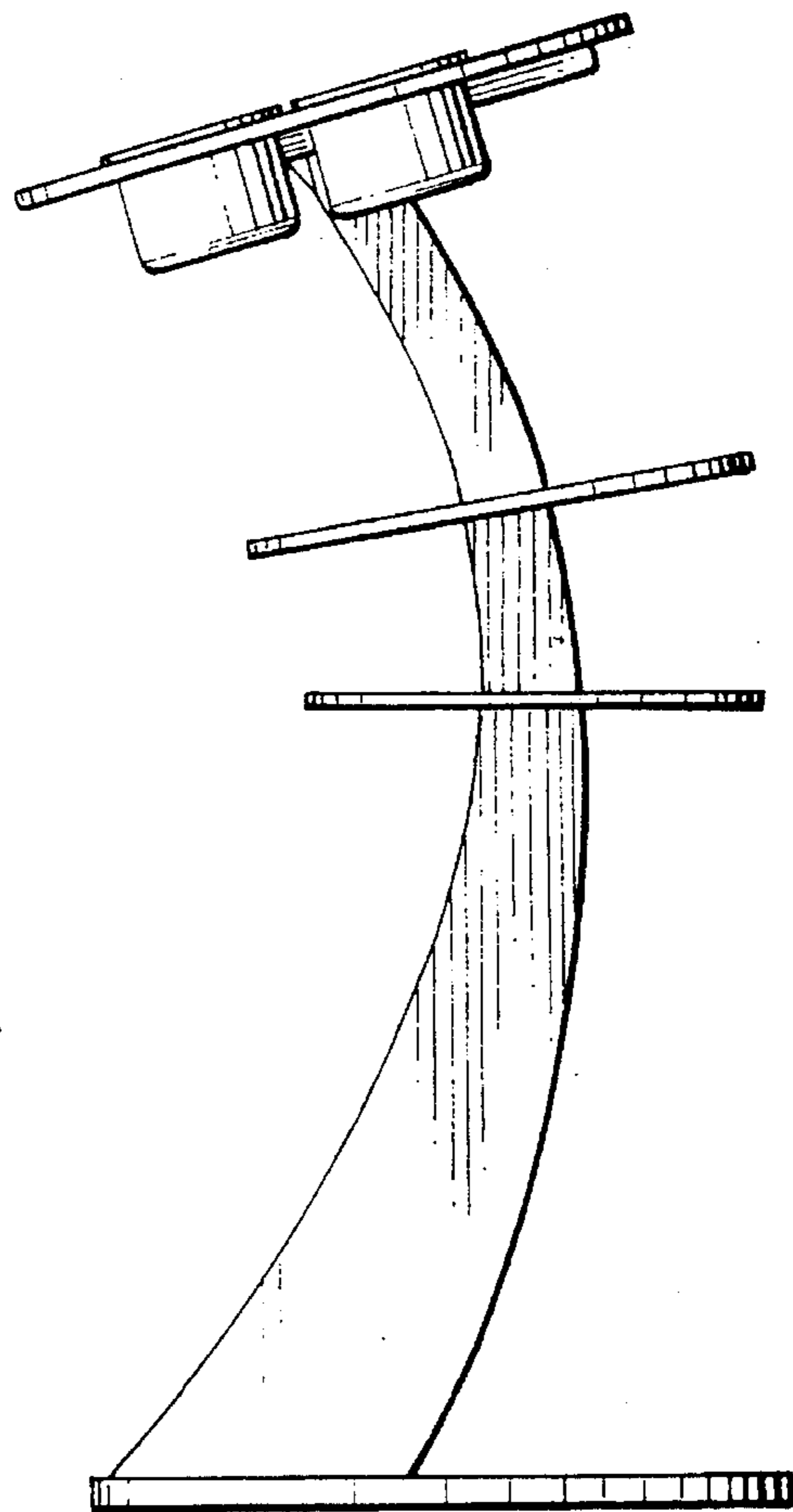


FIG. 2

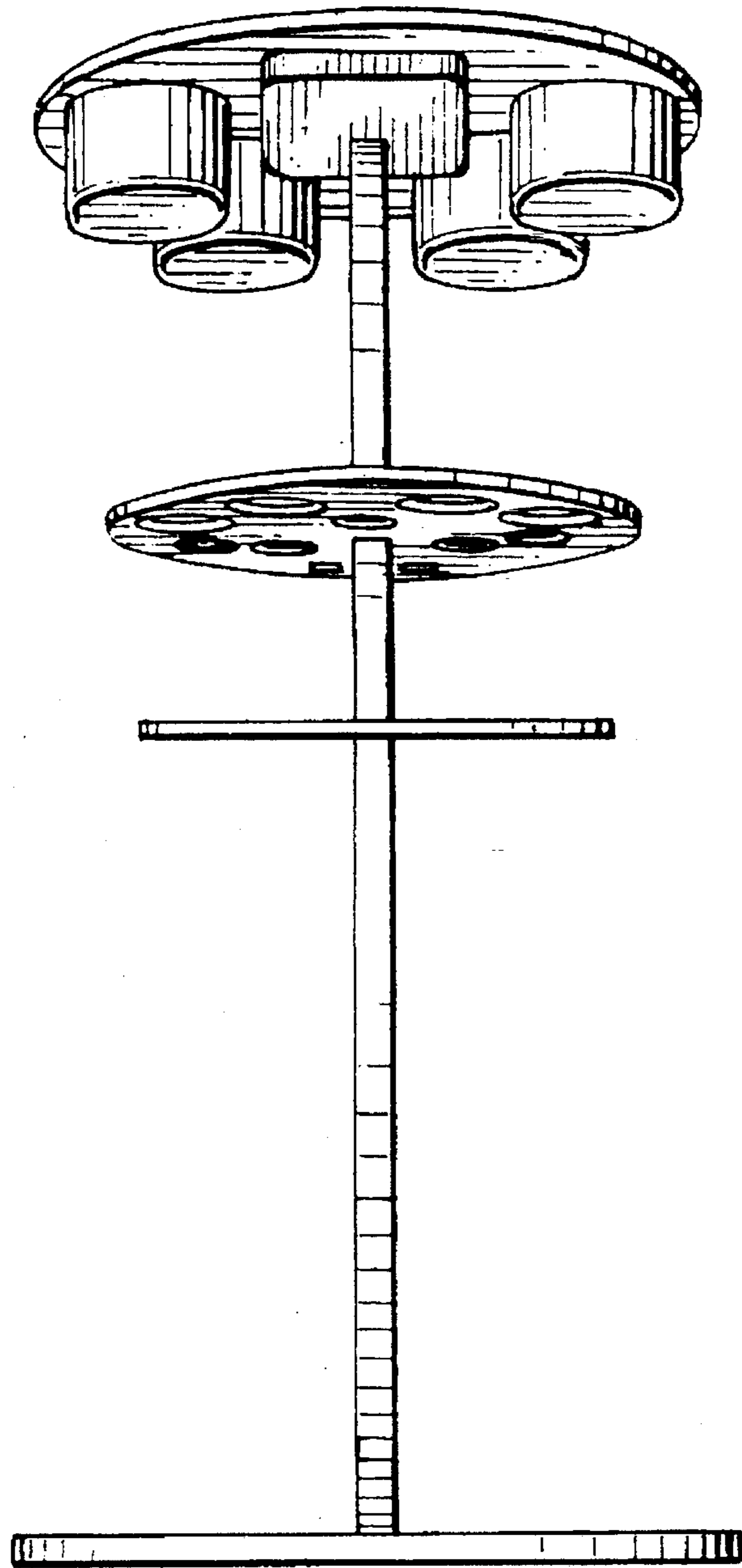


FIG. 3