



US00D375572S

**United States Patent** [19]  
**Sandell**

[11] **Patent Number: Des. 375,572**

[45] **Date of Patent: \*\*\*Nov. 12, 1996**

[54] **ADJUSTABLE QUARTZ FLOODLIGHT**

[75] Inventor: **Donald R. Sandell**, San Jose, Calif.

[73] Assignee: **Larry C. Y. Lee**, Hayward, Calif.

[\*] Notice: The portion of the term of this patent subsequent to Jul. 25, 2009, has been disclaimed.

[\*\*] Term: **14 Years**

[21] Appl. No.: **36,808**

[22] Filed: **Mar. 28, 1995**

[52] U.S. Cl. .... **D26/63**

[58] Field of Search ..... D26/61, 63, 65;  
362/269, 275, 285, 418, 419, 421, 427

[56] **References Cited**

**U.S. PATENT DOCUMENTS**

D. 360,703	7/1995	Sandell	.....	D26/63
3,254,205	5/1966	Cobb	.....	362/269 X
4,626,975	12/1986	Miletich	.....	362/418

**OTHER PUBLICATIONS**

“Regent Motion Activated,” Quartz floodlight section, Product promotional literature, Regent Lighting Corporation.  
“American Electric Will Light Your Way to Big Profits,” Floodlight section, Promotional product literature, American Electric, 1985.

“First Alert Home and Office Lighting Controls, Motion Sernsors,” Product promotional literature, First Alert, copyright 1993.

Domus, Feb. 1986, ADS p. 18, Floodlight.

Form, Jan. 1978, p. 55, Spotlight.

*Primary Examiner*—Susan J. Lucas  
*Attorney, Agent, or Firm*—Elliot B. Aronson

[57] **CLAIM**

The ornamental design for an adjustable quartz floodlight, as shown.

**DESCRIPTION**

FIG. 1 is a bottom perspective view of an adjustable quartz floodlight showing my new design;

FIG. 2 is a front elevational view thereof;

FIG. 3 is a left elevational view thereof;

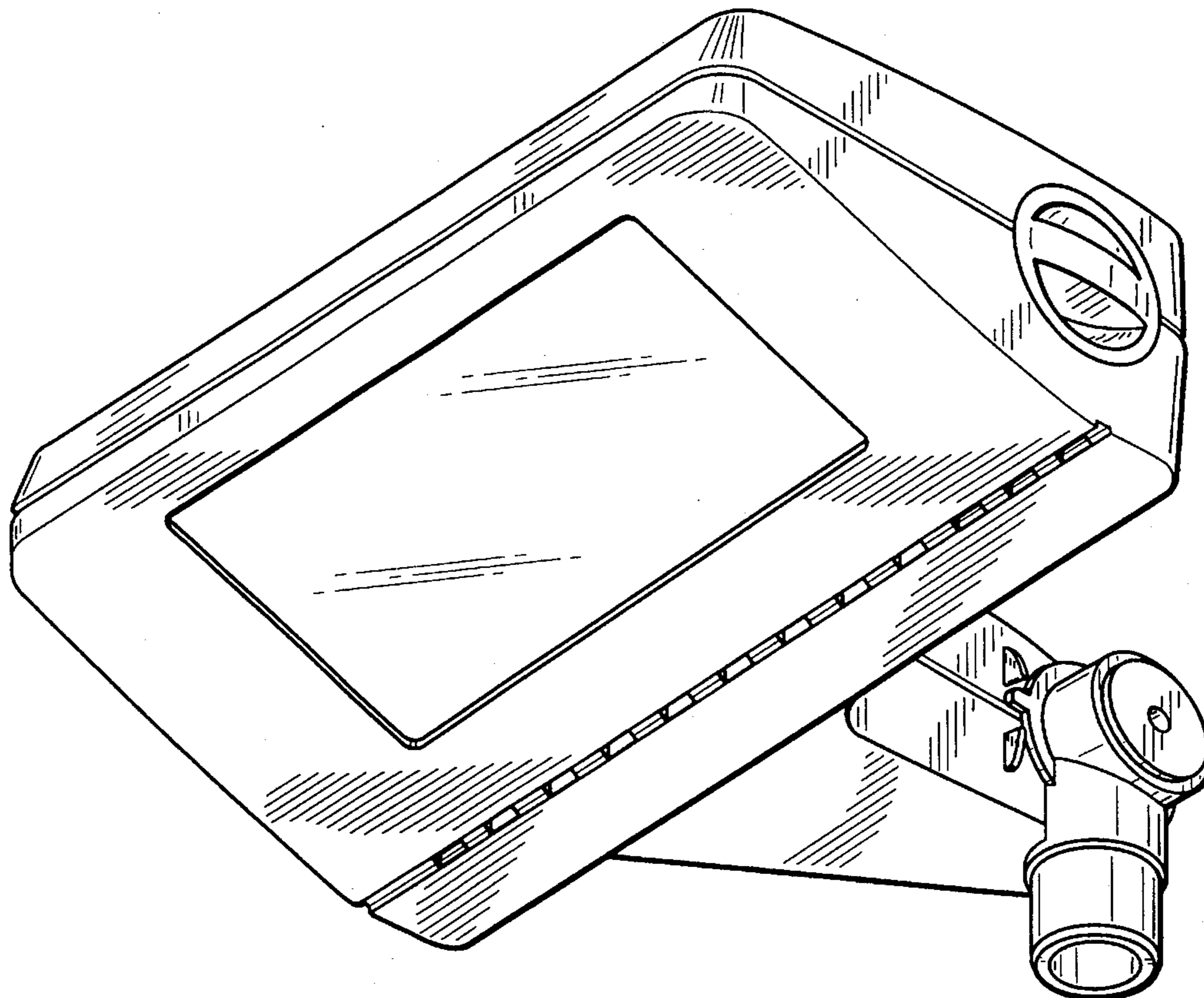
FIG. 4 is a rear elevational view thereof;

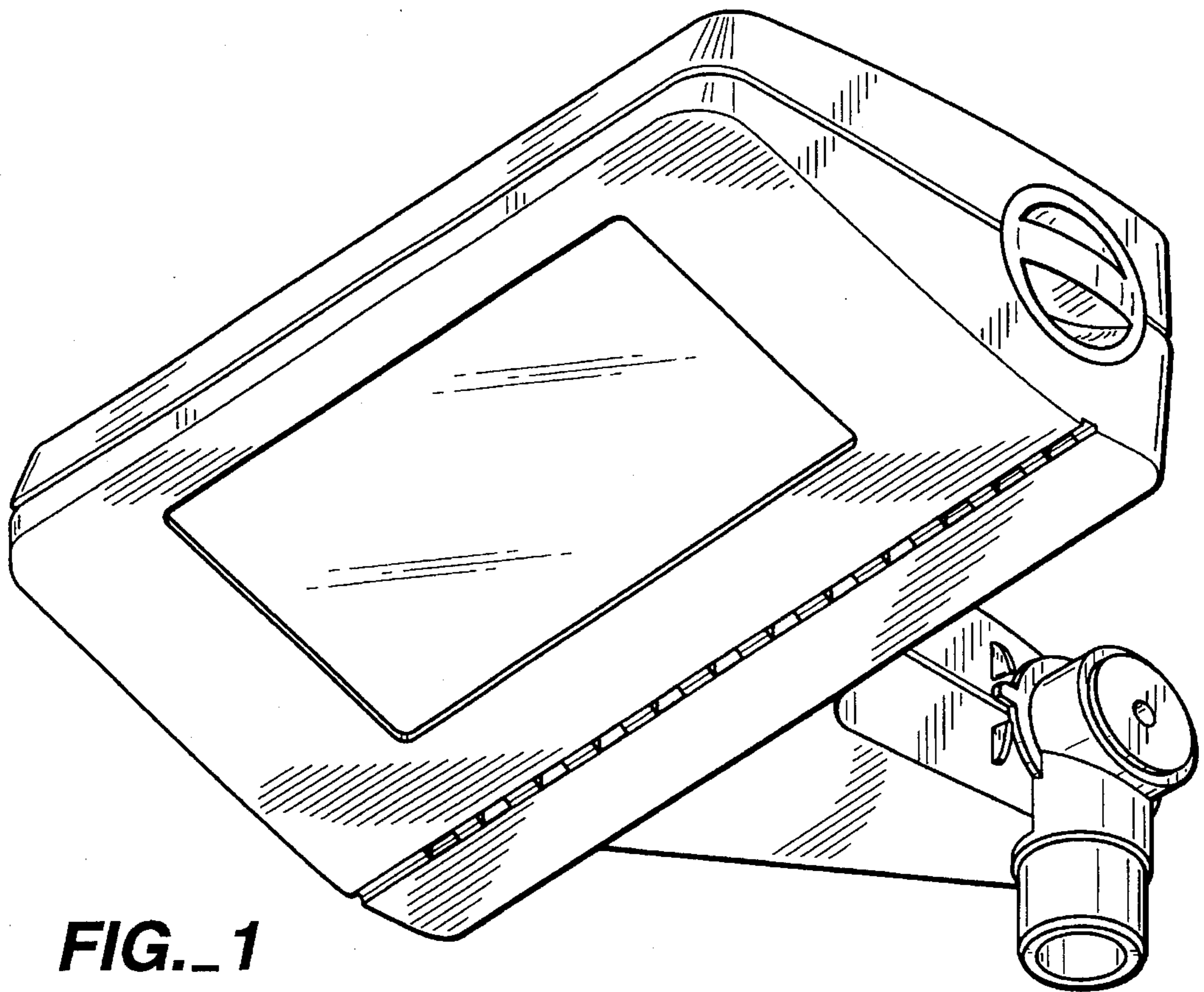
FIG. 5 is a right elevational view thereof;

FIG. 6 is a top plan view thereof; and,

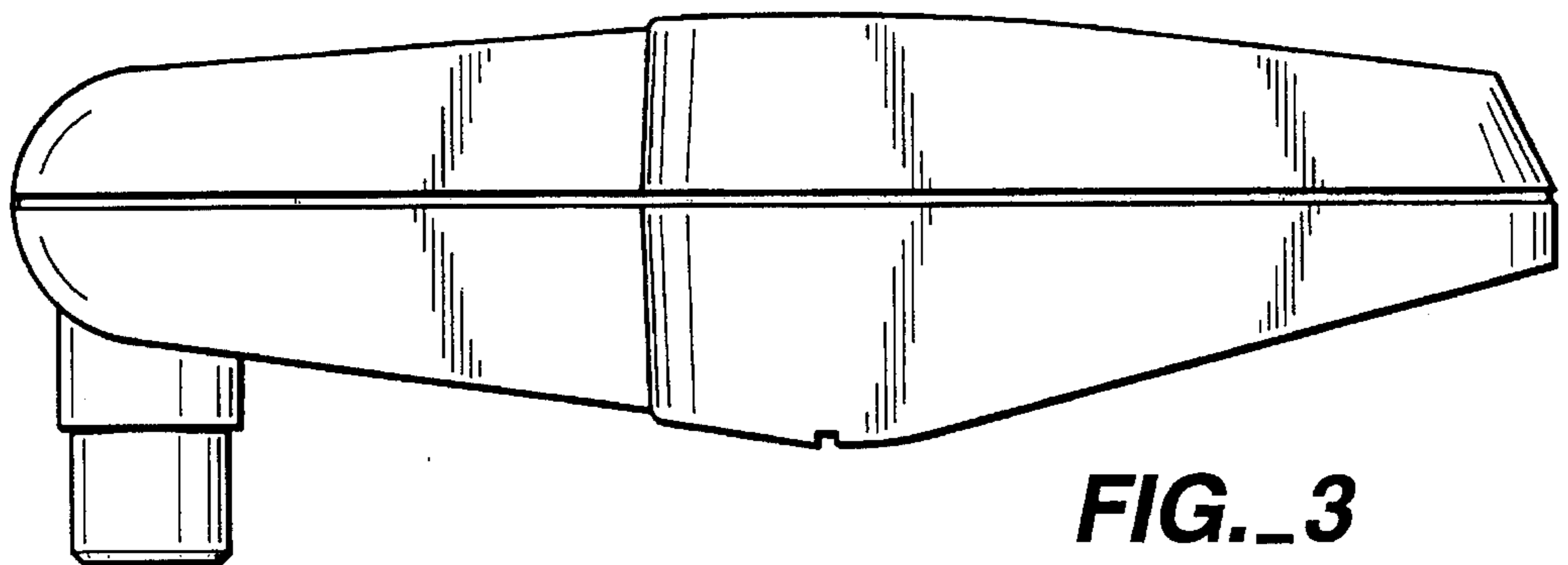
FIG. 7 is a bottom plan view thereof.

**1 Claim, 3 Drawing Sheets**

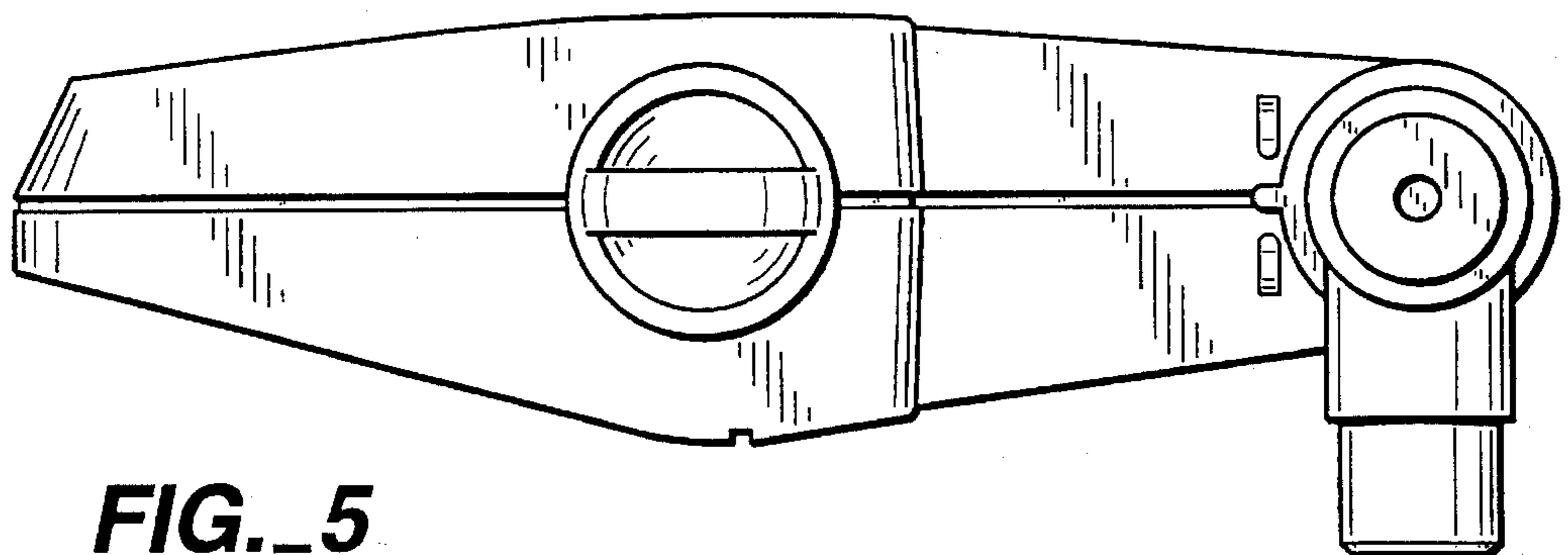




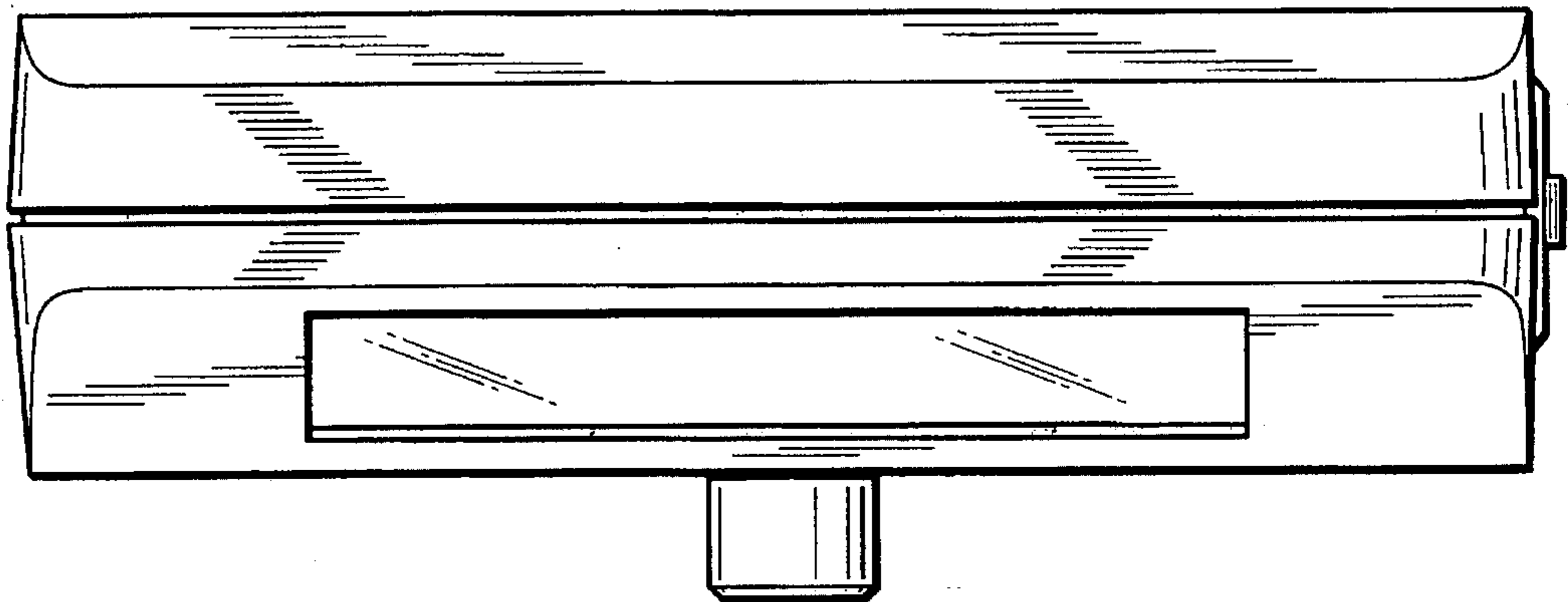
**FIG. 1**



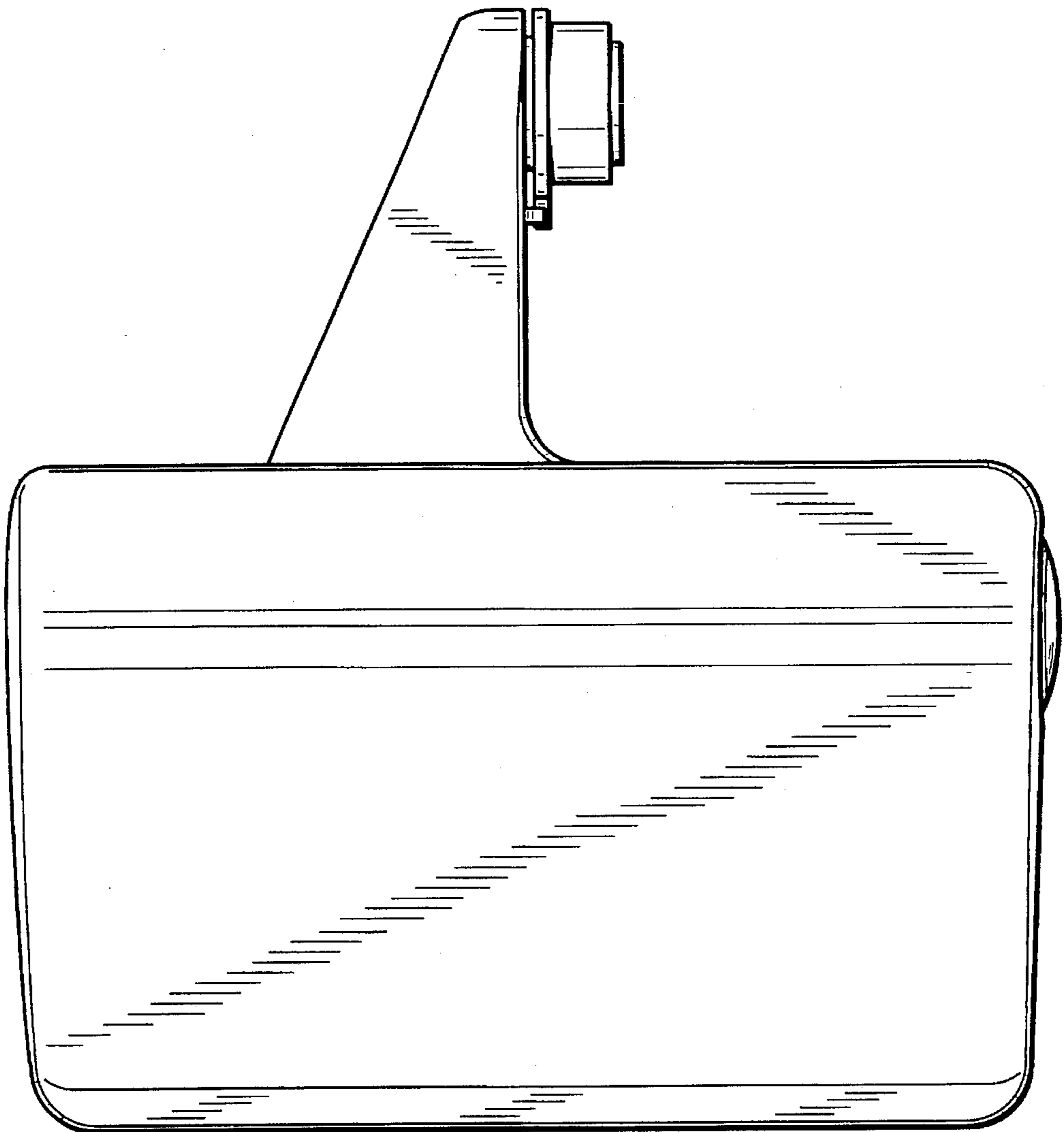
**FIG. 3**



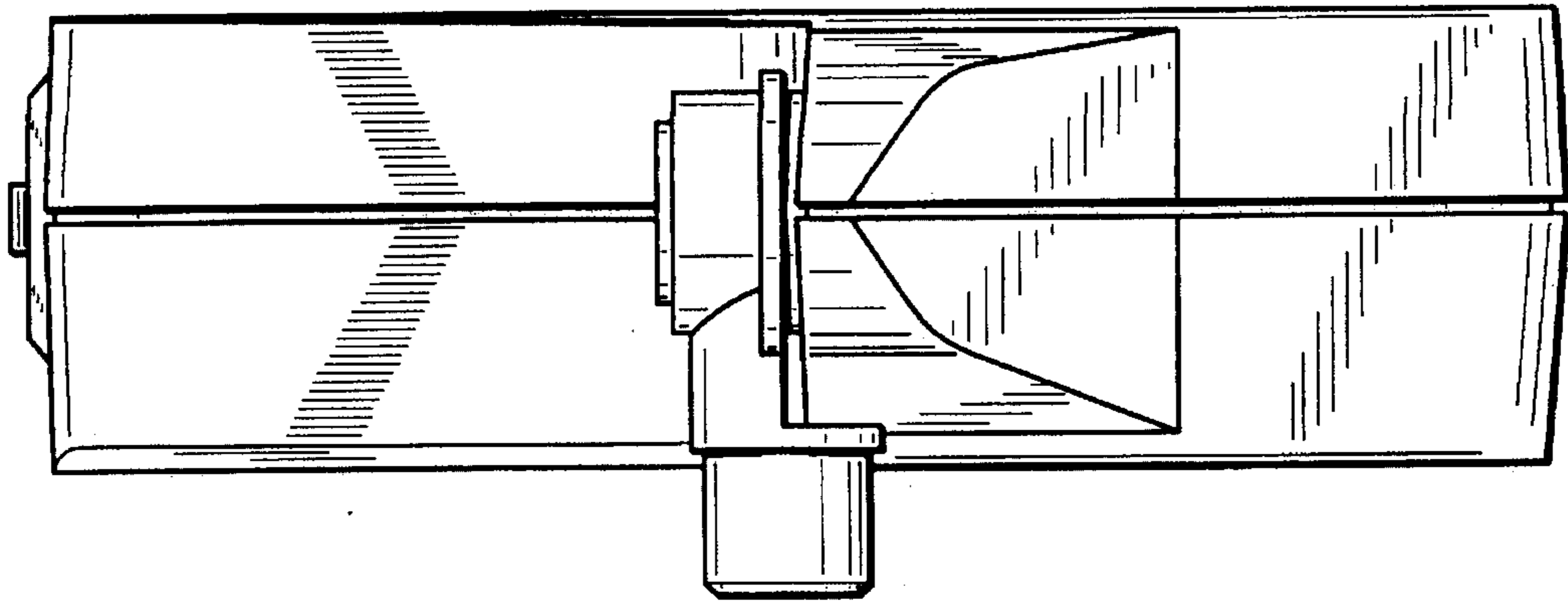
**FIG. 5**



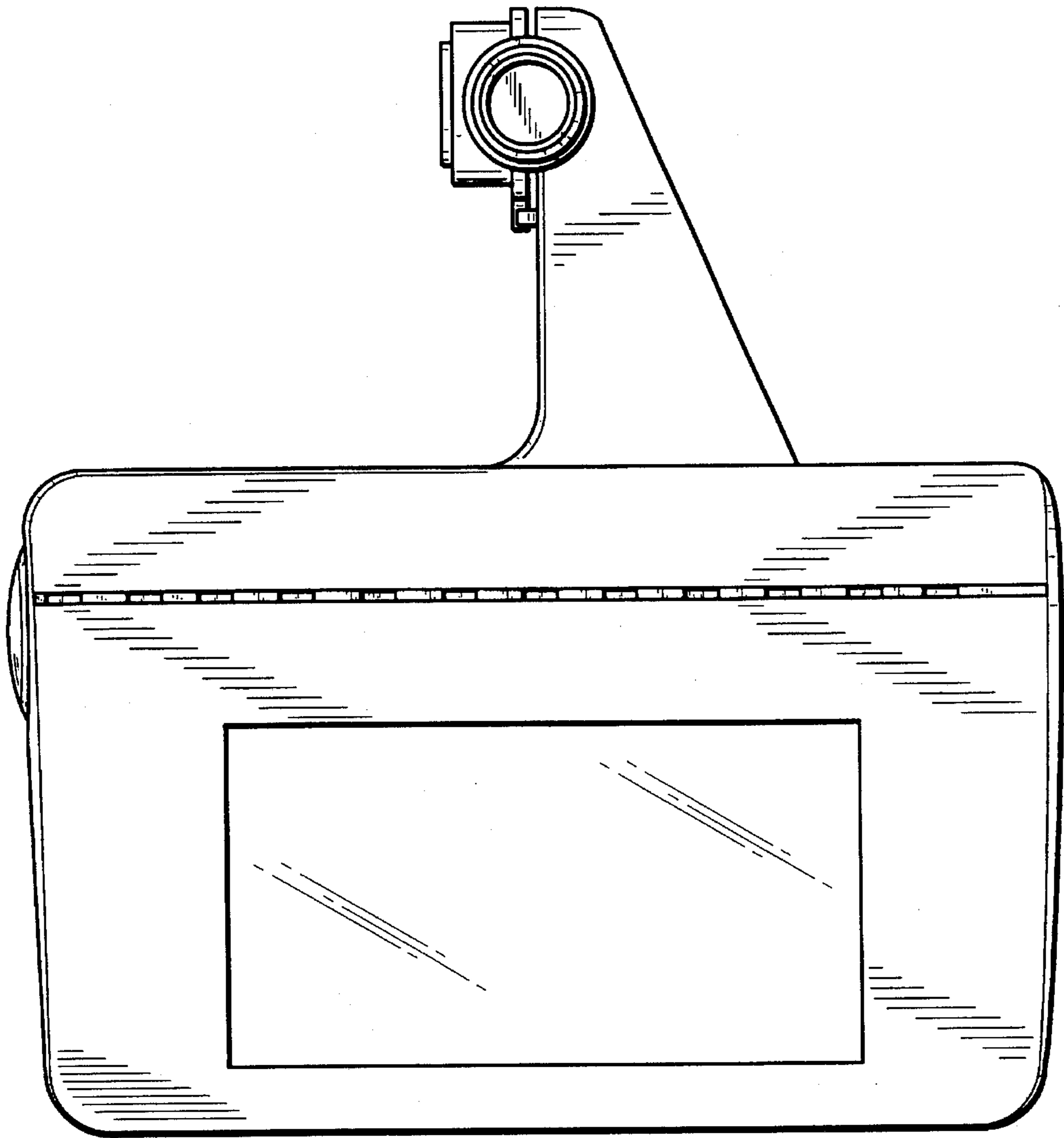
**FIG. 2**



**FIG. 6**



**FIG. 4**



**FIG. 7**