



US00D375570S

United States Patent [19]

[11] Patent Number: **Des. 375,570**

Hayakawa et al.

[45] Date of Patent: ****Nov. 12, 1996**

[54] **FLASHLIGHT**

OTHER PUBLICATIONS

[75] Inventors: **Naohiro Hayakawa; Akinori Kimata,**
both of Anjo, Japan

Makita Catalogue, 1993-6, 3 pages.

[73] Assignee: **Makita Corporation,** Anjo, Japan

Primary Examiner—Marcus A. Jackson
Attorney, Agent, or Firm—Davis and Bujold

[**] Term: **14 Years**

[57] CLAIM

[21] Appl. No.: **36,392**

The ornamental design for a flashlight, as shown and described.

[22] Filed: **Mar. 20, 1995**

DESCRIPTION

[30] Foreign Application Priority Data

Sep. 22, 1994 [JP] Japan 6-28914

[52] U.S. Cl. **D26/44**

[58] Field of Search D26/37-50; 362/157,
362/158, 183-202, 86

FIG. 1 is a front elevational view of a flashlight embodying our new design;

FIG. 2 is a rear elevational view thereof;

FIG. 3 is a top plan view thereof;

FIG. 4 is a bottom plan view thereof;

FIG. 5 is a left side elevational view thereof;

FIG. 6 is a right side elevational view thereof;

FIG. 7 is a perspective view thereof; and,

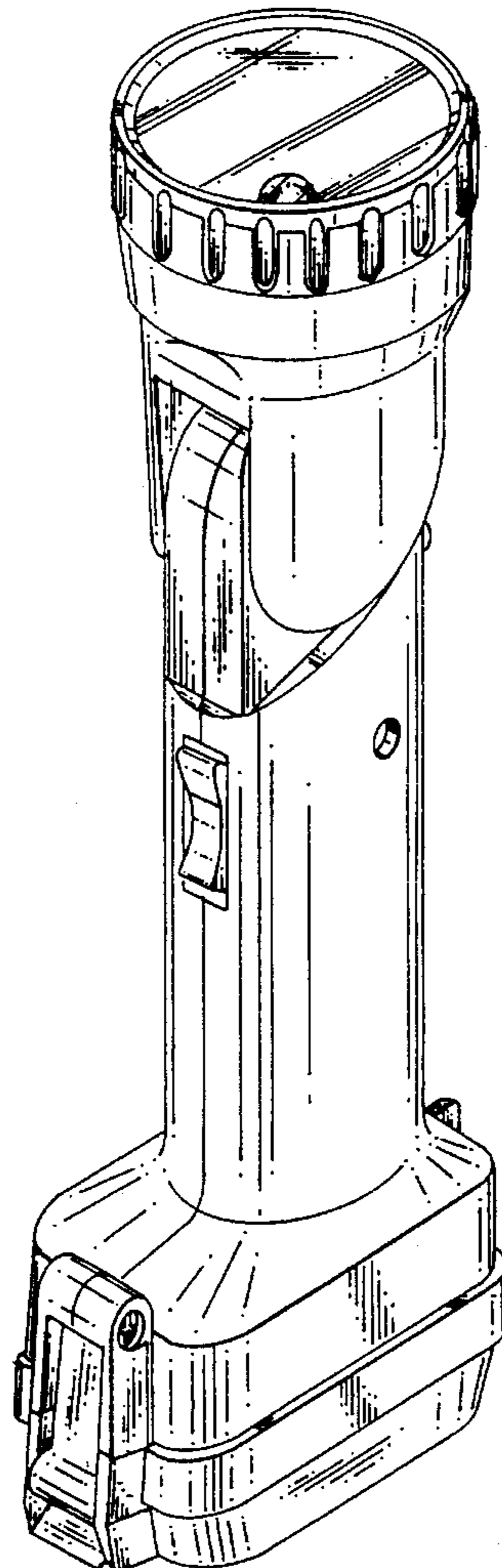
FIG. 8 is a perspective view of FIG. 1 with the light portion shown in a pivoted position.

[56] References Cited

U.S. PATENT DOCUMENTS

- | | | | | |
|------------|---------|----------------|-------|--------|
| D. 136,756 | 11/1943 | Barash | | D26/37 |
| D. 137,264 | 2/1944 | Lippincott | | D26/37 |
| D. 339,046 | 9/1993 | Fushiya et al. | . | |
| D. 356,875 | 3/1995 | Zelina, Jr. | | D26/38 |

1 Claim, 5 Drawing Sheets



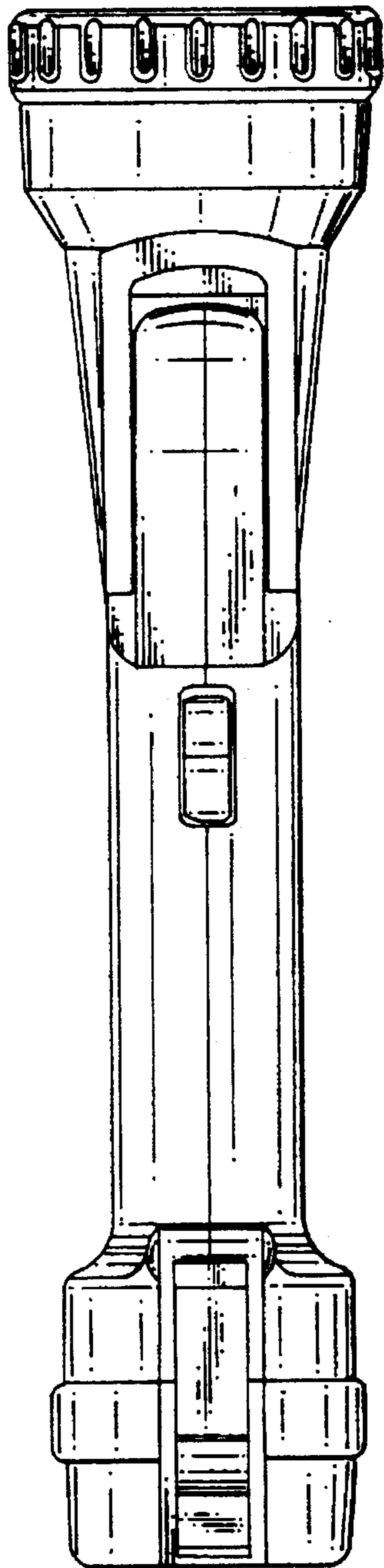


FIG. 1

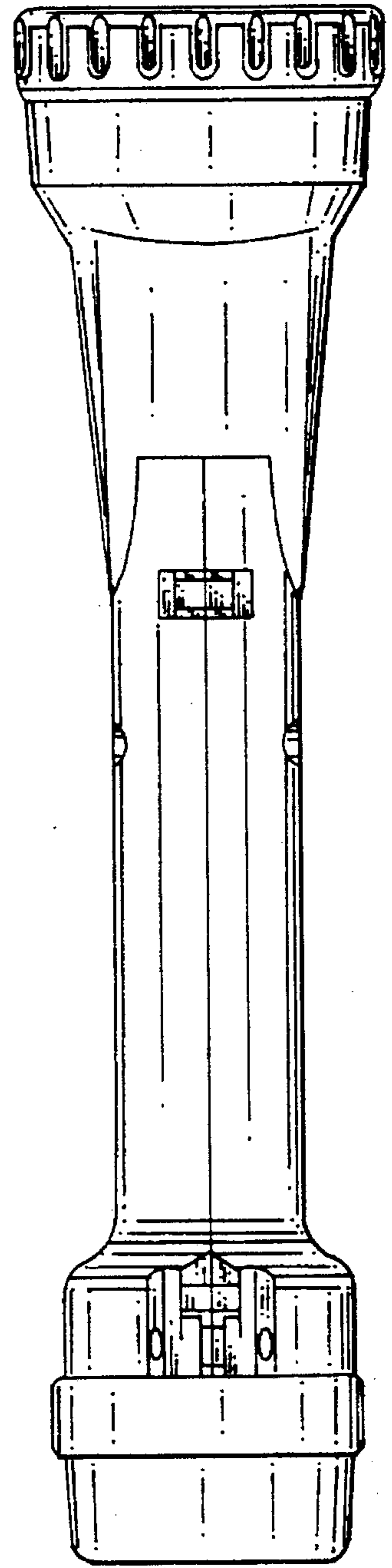


FIG. 2

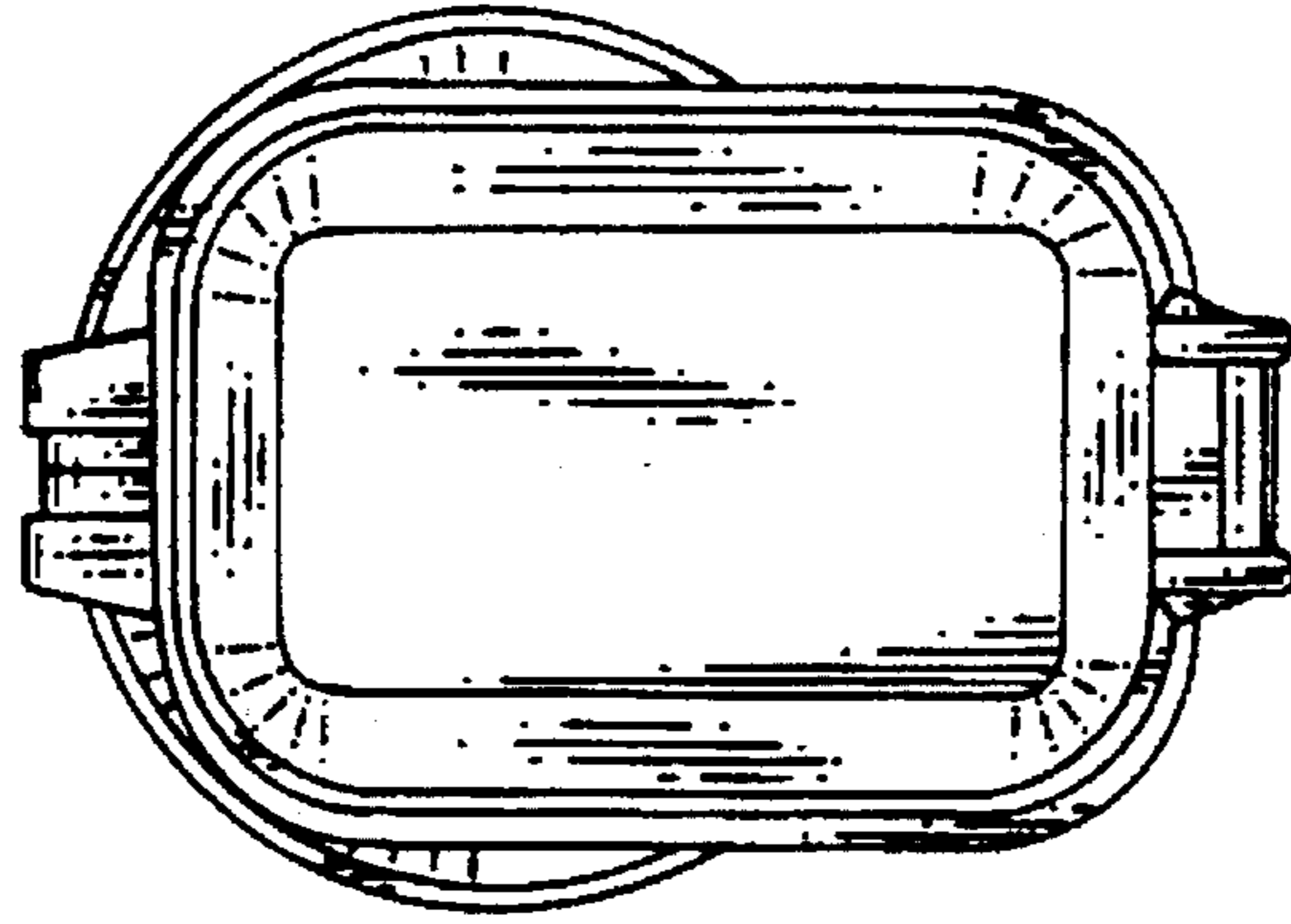


FIG. 4

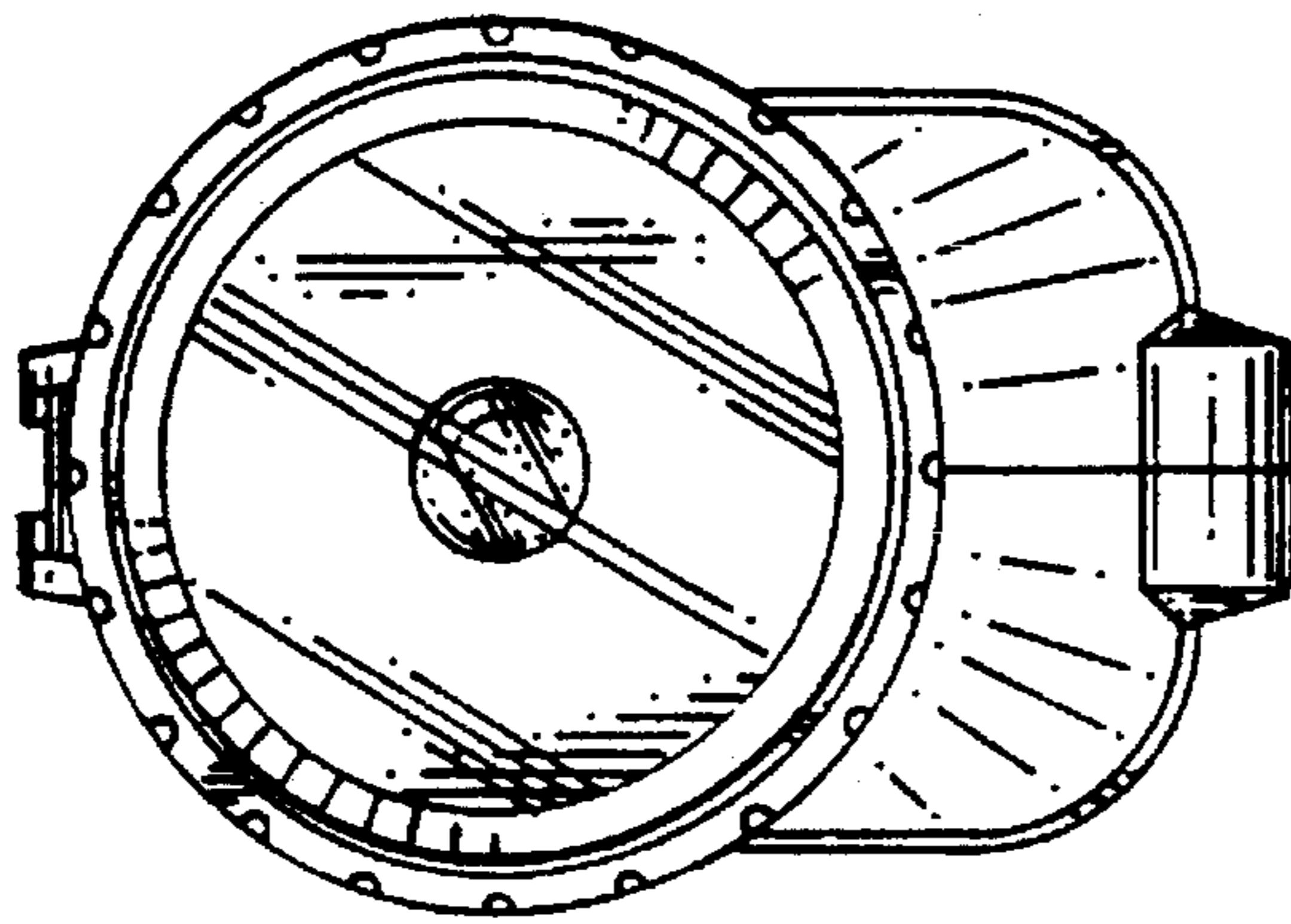


FIG. 3

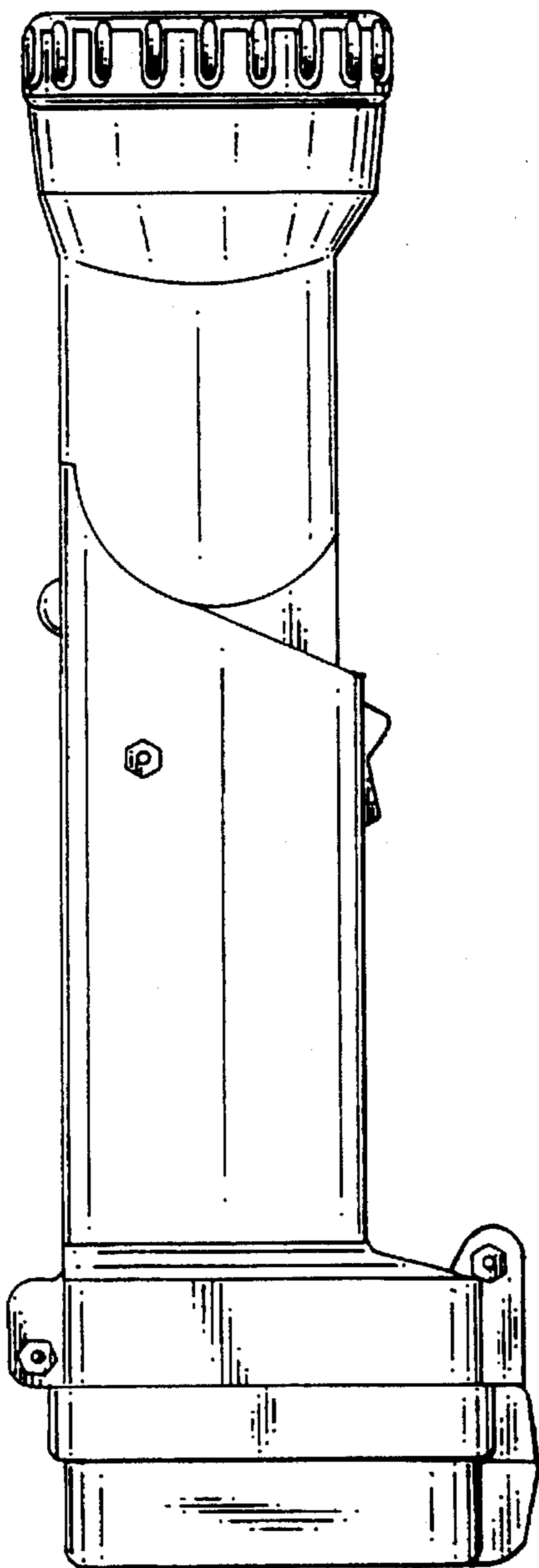


FIG. 5

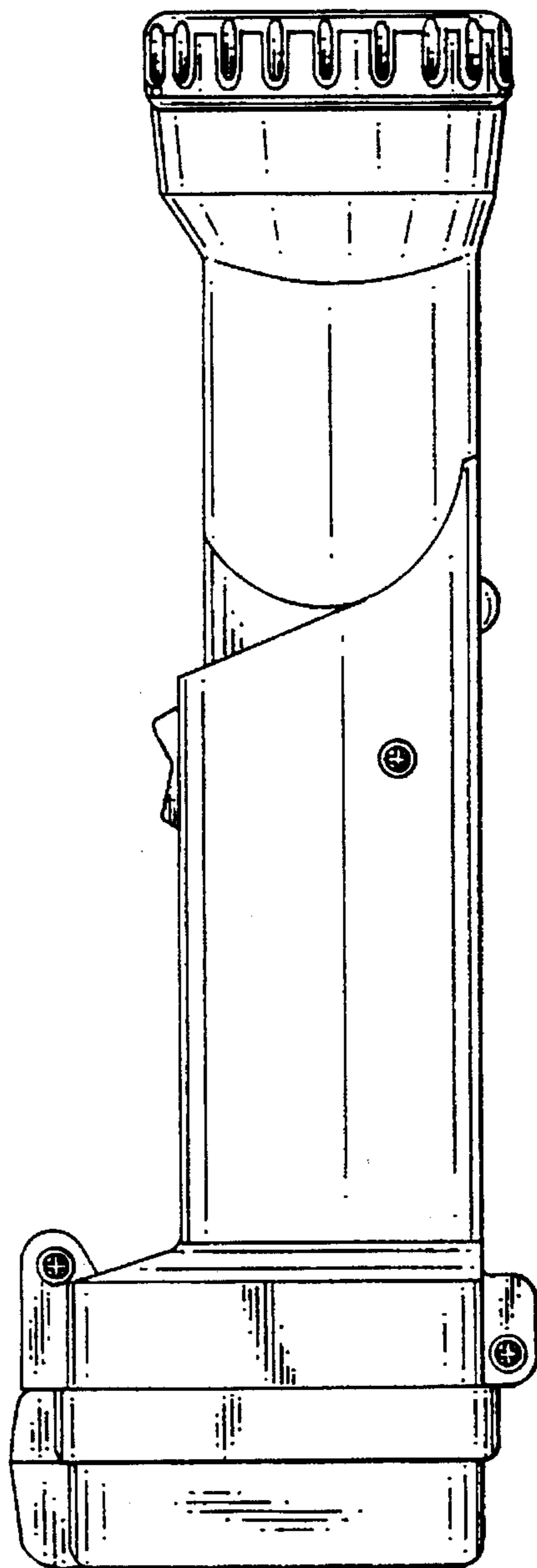


FIG. 6

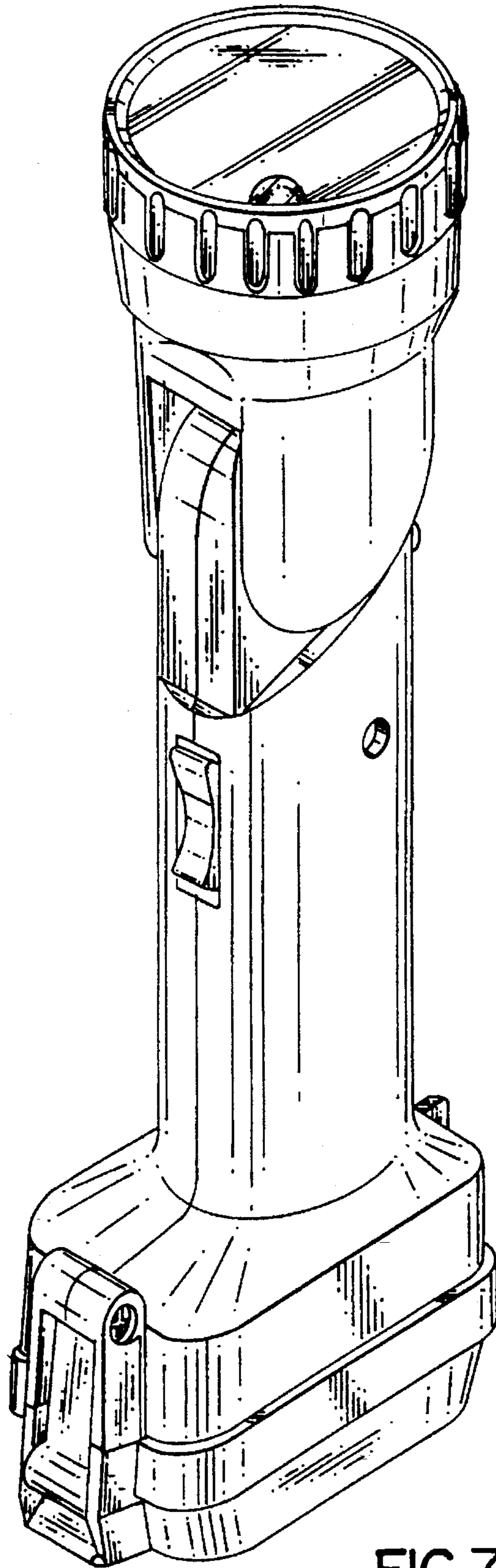


FIG. 7

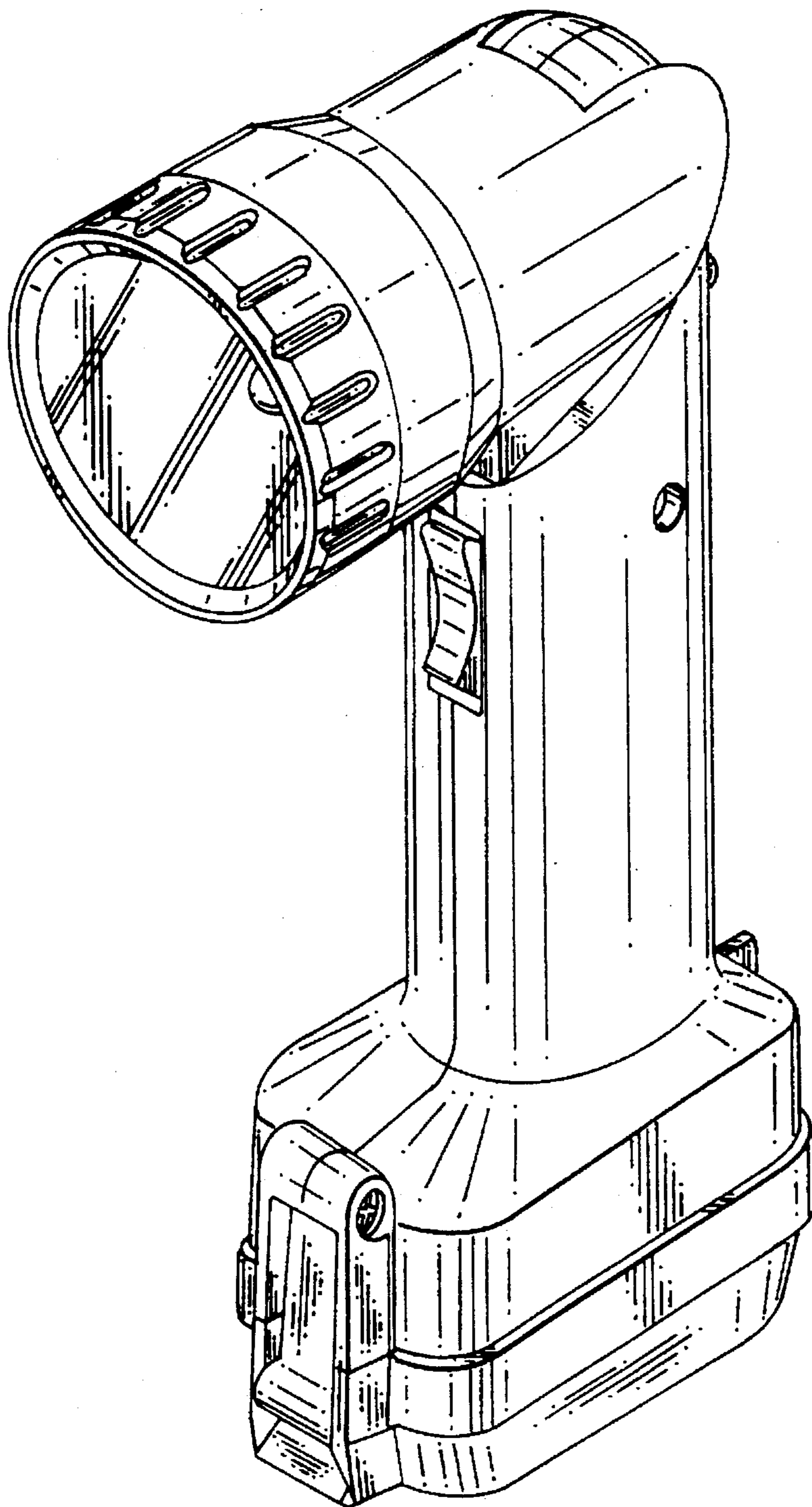


FIG. 8