



US00D375565S

# United States Patent [19]

Autrey et al.

[11] Patent Number: **Des. 375,565**

[45] Date of Patent: **\*\*Nov. 12, 1996**

[54] **FLUID RESERVOIR**

[75] Inventors: **Robert C. Autrey**, N. Ridgeville; **Scott C. Lewis**, Amherst; **Scott E. Mathis**, Bay Village, all of Ohio

[73] Assignee: **Ciba Corning Diagnostics Corp.**, Medfield, Mass.

[\*\*] Term: **14 Years**

[21] Appl. No.: **41,848**

[22] Filed: **Jul. 12, 1995**

[52] U.S. Cl. .... **D24/224; D9/523; D24/121**

[58] Field of Search ..... **D24/224, 121; D9/523, 572, 542, 520, 327, 375; 422/100, 102; 141/94**

[56] **References Cited**

**U.S. PATENT DOCUMENTS**

- D. 291,730 9/1987 Kelln et al. .... D24/224
- D. 309,080 7/1990 Buchholz ..... D9/375

- 341,204 11/1993 Hansen et al. .... D24/224
- 358,660 5/1995 Swift ..... D24/224
- 359,361 6/1995 Swift ..... D24/224
- 5,152,965 10/1992 Fish et al. .... 422/102

*Primary Examiner*—Louis S. Zarfaz

*Assistant Examiner*—I. Simmons

*Attorney, Agent, or Firm*—Judith A. Roesler; Arthur S. Morgenstern

[57] **CLAIM**

The ornamental design for a fluid reservoir, as shown and described.

**DESCRIPTION**

FIG. 1 is a perspective view as seen from the top, front and right side;

FIG. 2 is a top plan view;

FIG. 3 is a left side elevational view;

FIG. 4 is a rear elevational view;

FIG. 5 is a front elevational view; and,

FIG. 6 is a bottom plan view.

**1 Claim, 1 Drawing Sheet**

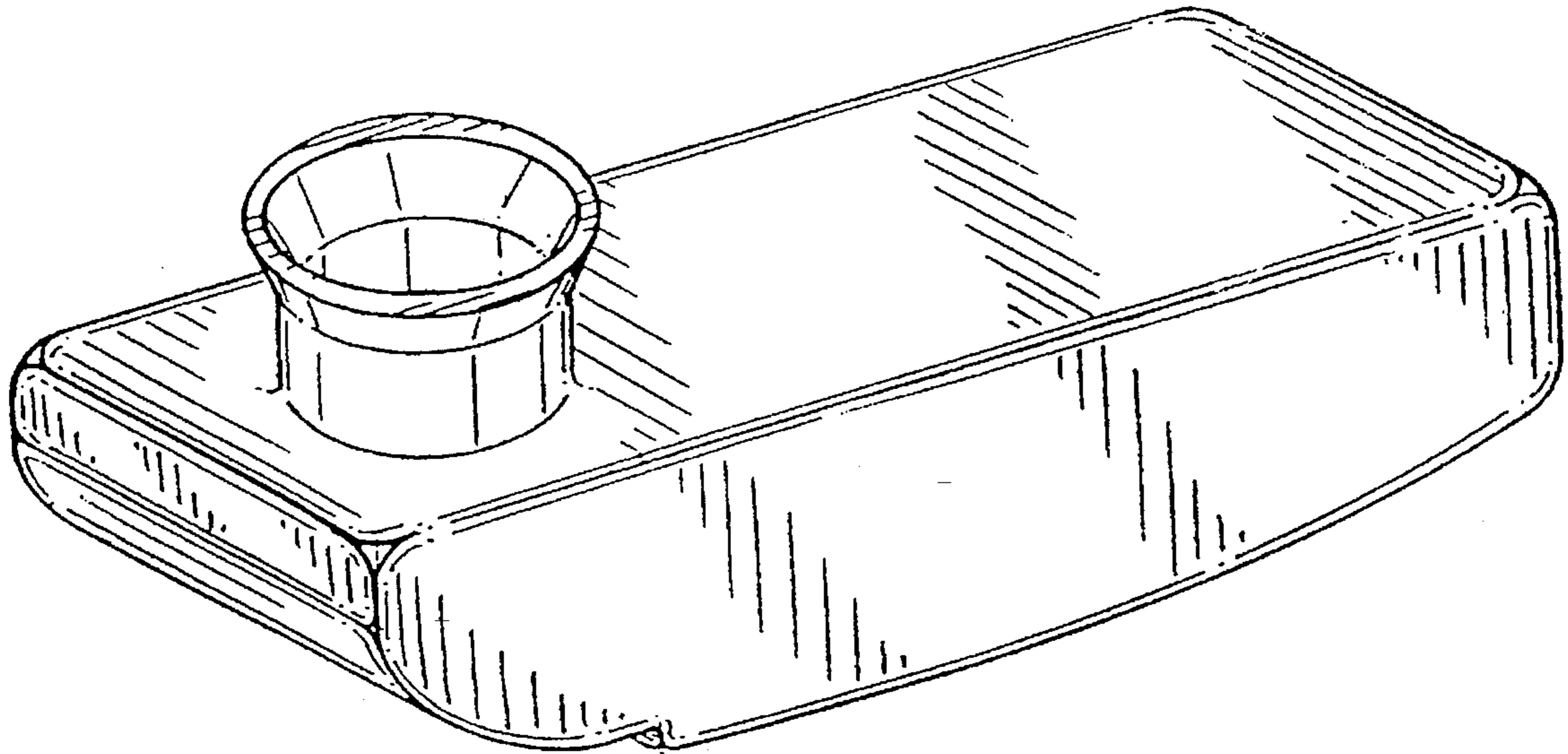


FIG. 1

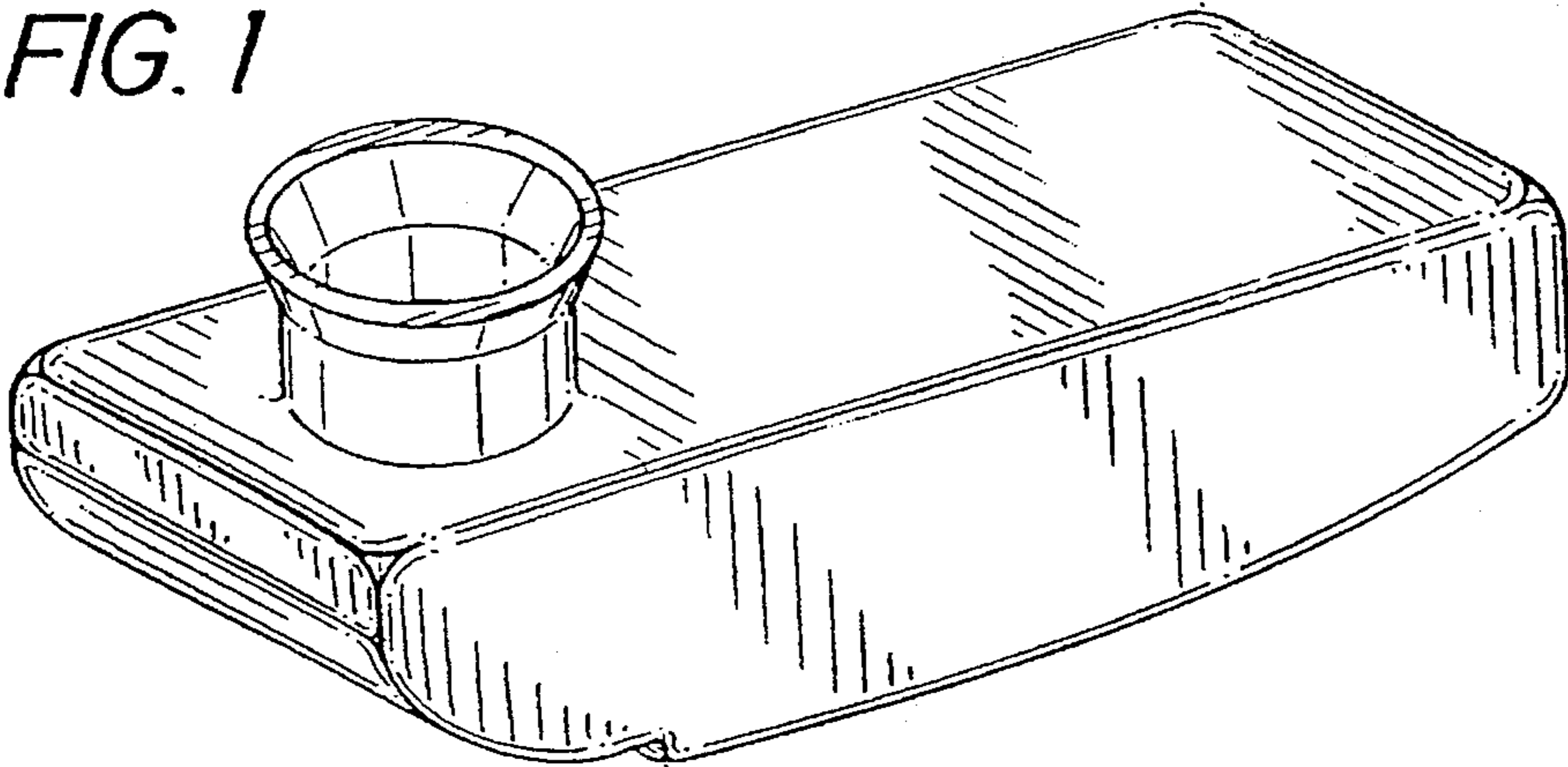


FIG. 2

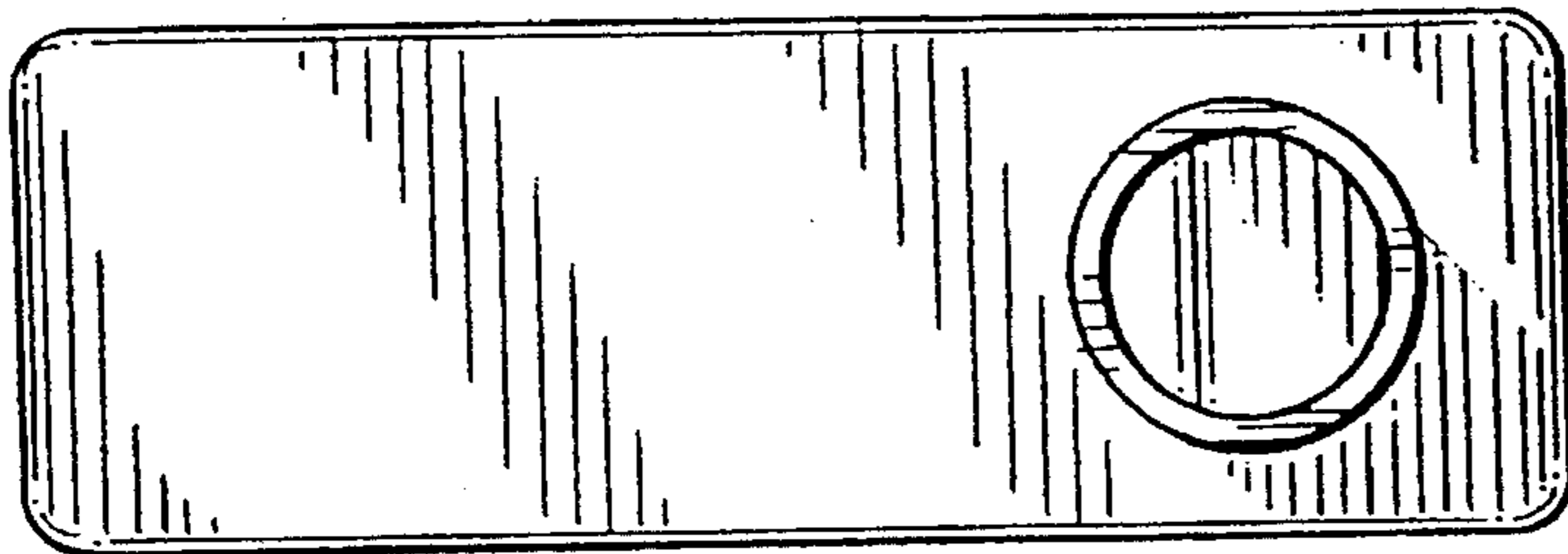


FIG. 3

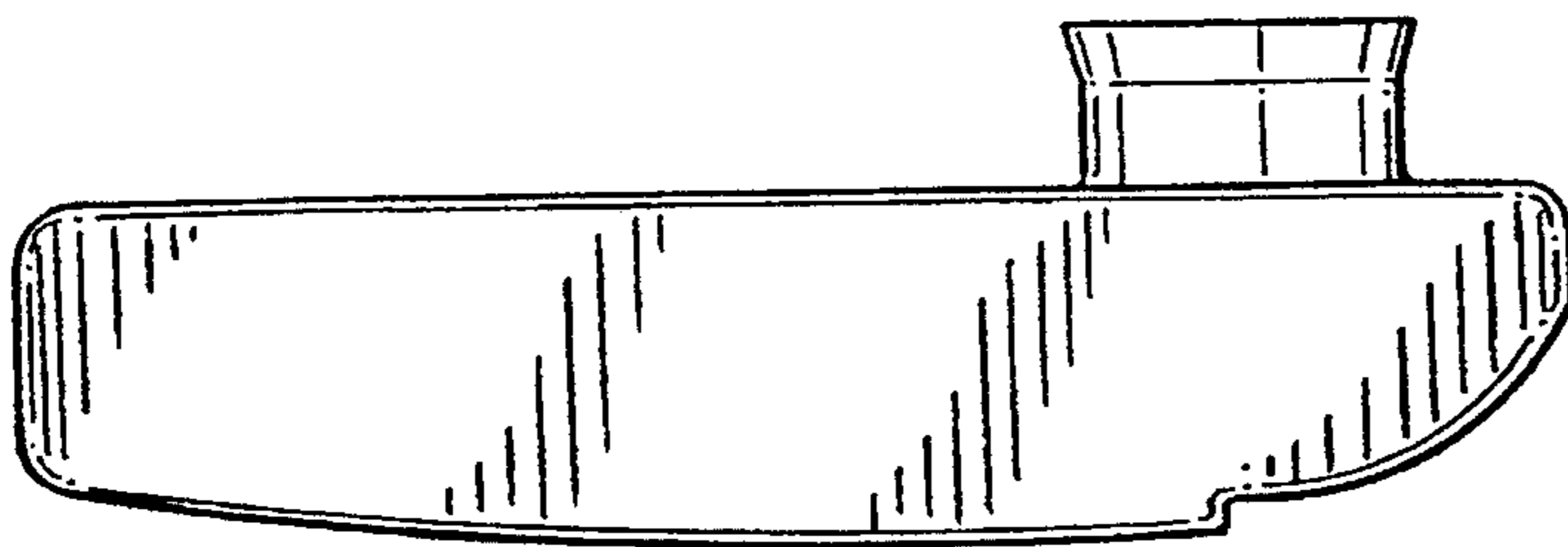


FIG. 4

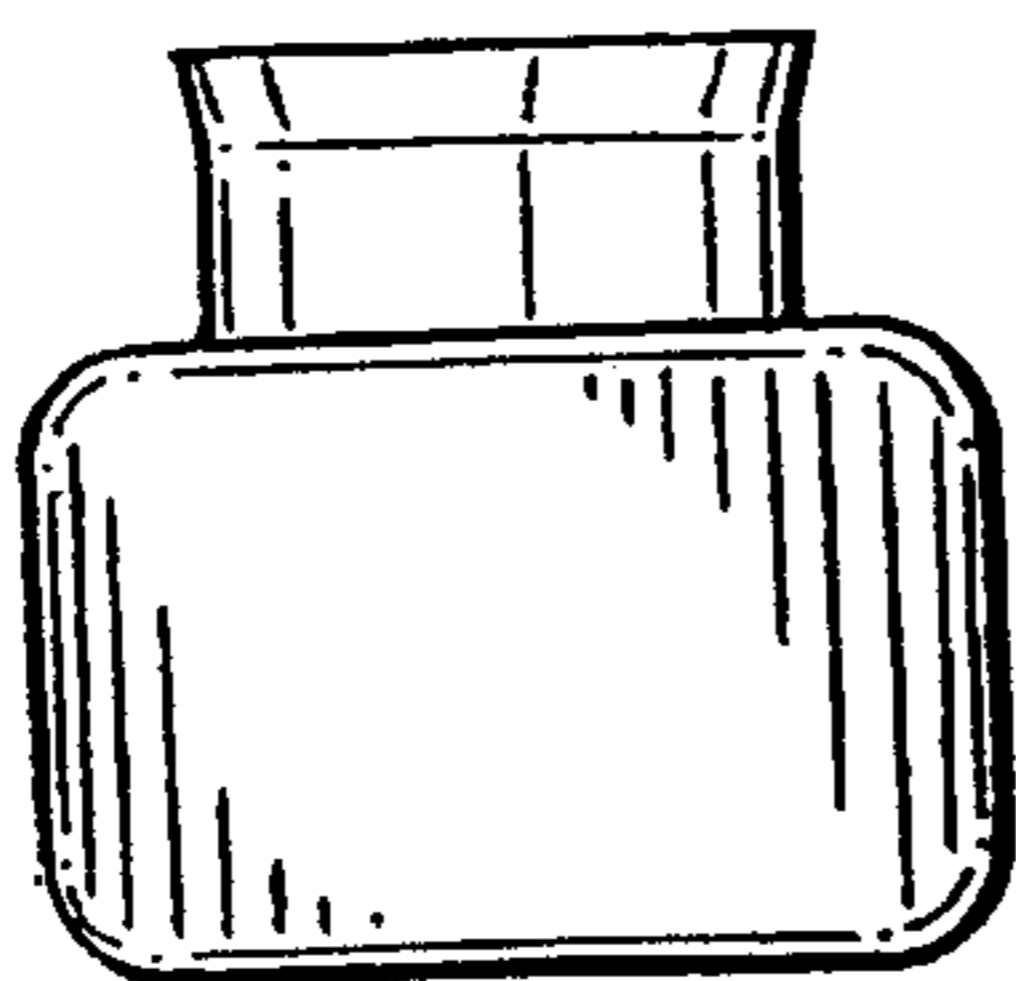


FIG. 6

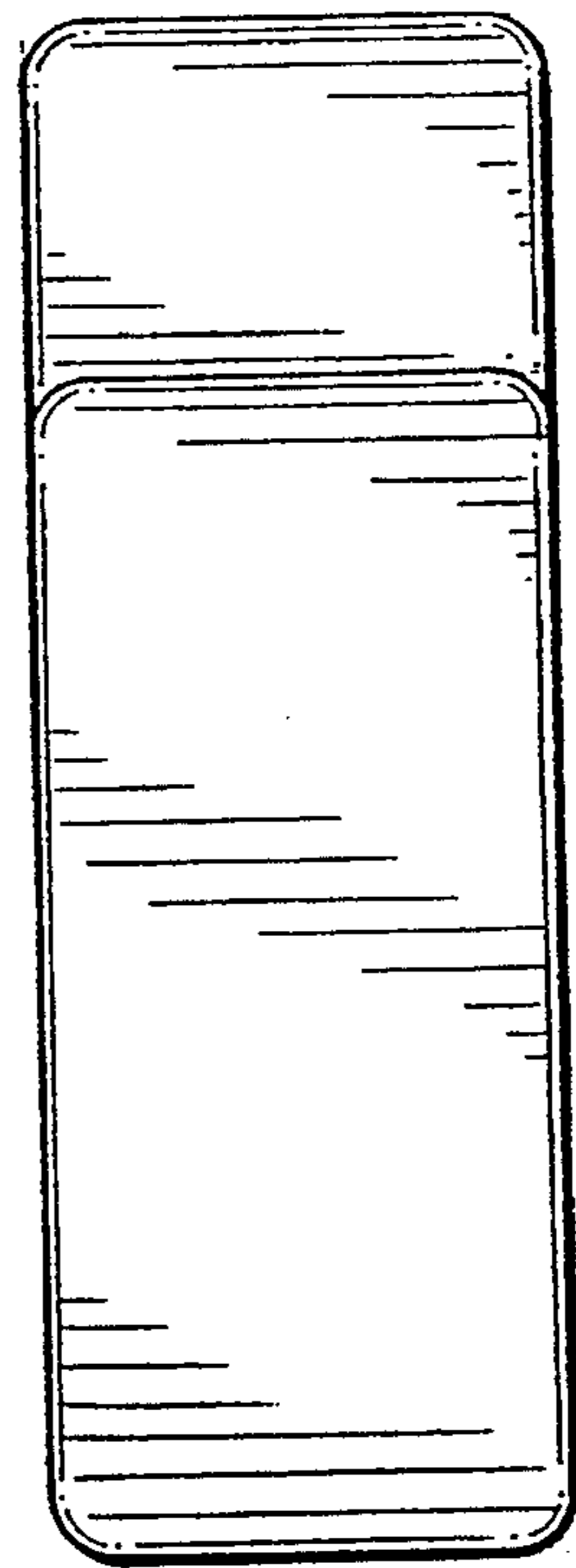


FIG. 5

