



US00D375561S

United States Patent [19]
Oliver

[11] **Patent Number: Des. 375,561**

[45] **Date of Patent: **Nov. 12, 1996**

[54] **WINDOW COMPONENT EXTRUSION**

D. 331,290	11/1992	Rogers	D25/124
3,545,496	12/1970	Wogerbauer	D25/122
4,977,722	12/1990	Taylor	52/730.3

[75] Inventor: **Teresa A. Oliver**, Kent, Wash.

[73] Assignee: **Mikron Industries**, Kent, Wash.

Primary Examiner—Doris Clark
Attorney, Agent, or Firm—Seed and Berry LLP

[**] Term: **14 Years**

[57] **CLAIM**

[21] Appl. No.: **39,443**

The ornamental design for a window component extrusion, as shown and described.

[22] Filed: **May 31, 1995**

[52] **U.S. Cl.** **D25/124**

[58] **Field of Search** D25/52, 60, 119–125,
D25/164; 49/501, 504, DIG. 1, DIG. 2,
135; 52/204.1, 204.5, 730.3, 730.4, 730.5,
204.6, 656.6, 204.55

DESCRIPTION

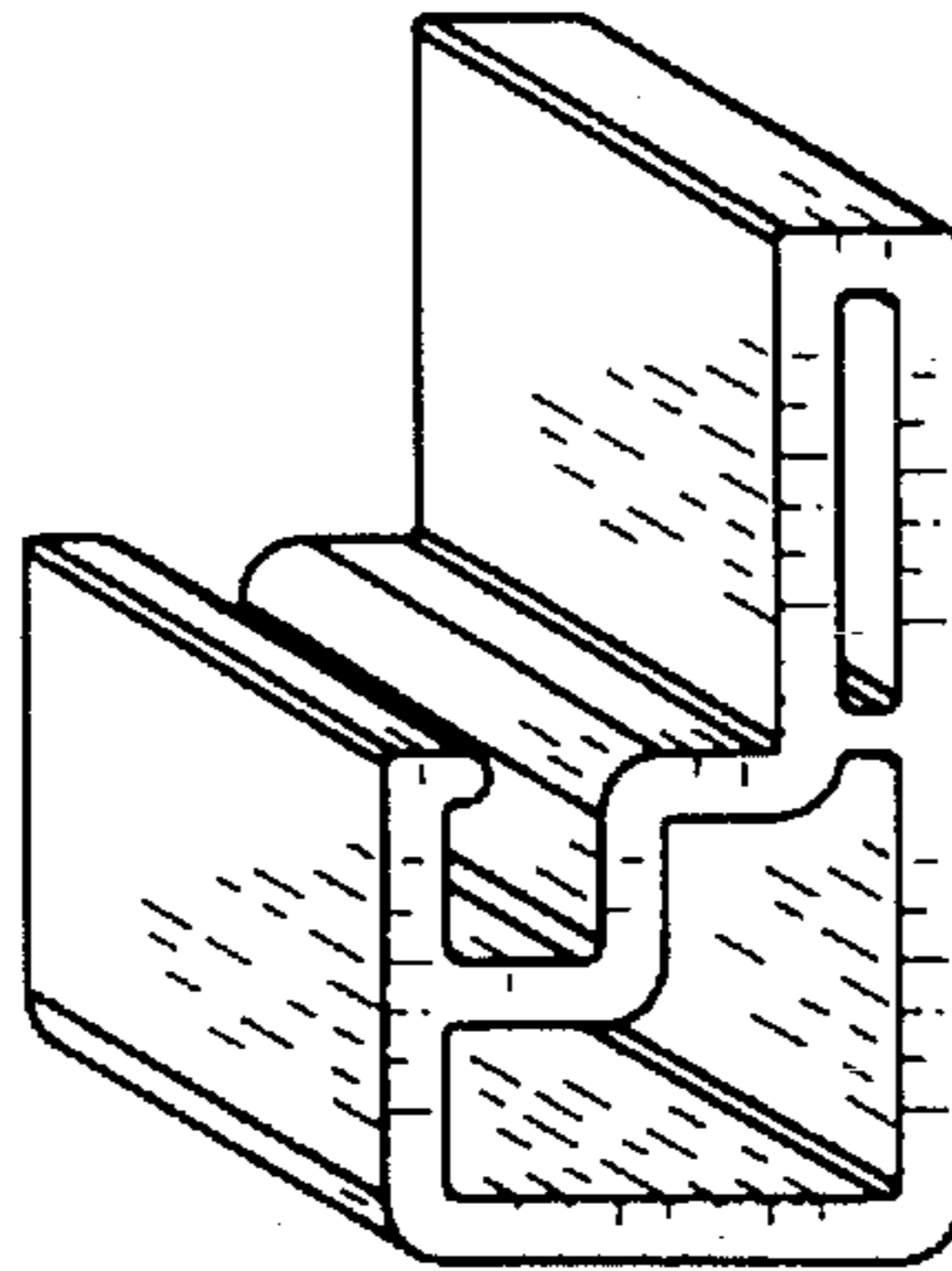
FIG. 1 is a top right perspective view of a window component extrusion showing my new design, the window component extrusion being of indefinite length;
FIG. 2 is a bottom left perspective view thereof.

[56] **References Cited**

U.S. PATENT DOCUMENTS

D. 50,050 12/1916 Landine D25/124

1 Claim, 1 Drawing Sheet



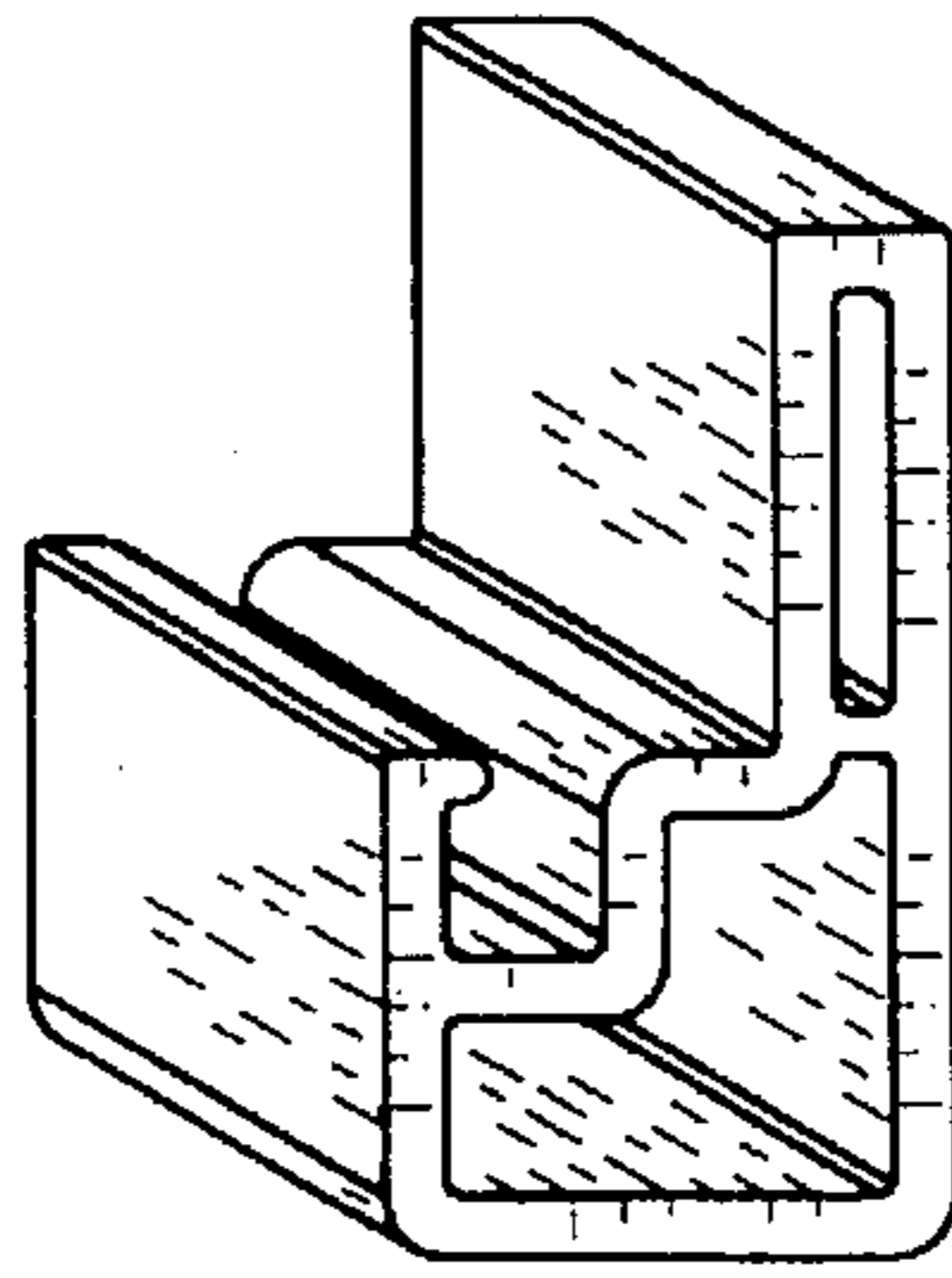


FIG. 1

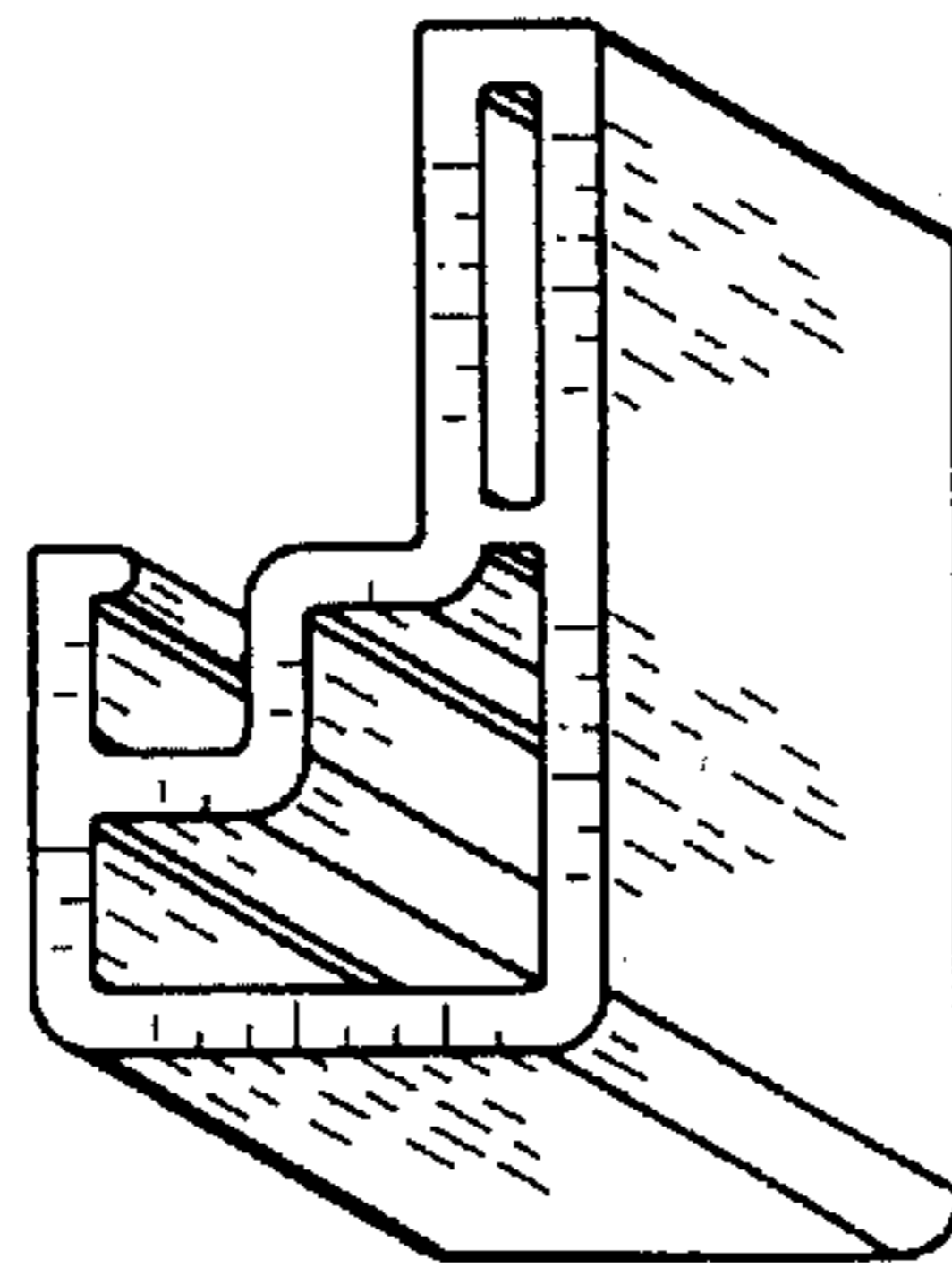


FIG. 2