



US00D375560S

United States Patent [19]

Harris et al.

[11] Patent Number: **Des. 375,560**

[45] Date of Patent: ****Nov. 12, 1996**

[54] **FRAME MEMBER EXTRUSION**

D. 201,352 6/1965 Riegelman D25/60

[76] Inventors: **Patrick W. Harris; Maureen A. Harris**, both c/o Gentech Services, 7 Killick Street, Kunda Park, Queensland, 4556, Australia

Primary Examiner—Louis S. Zarfaz
Assistant Examiner—Gregory Andoll
Attorney, Agent, or Firm—Abelman, Frayne & Schwab

[**] Term: **14 Years**

[57] **CLAIM**

[21] Appl. No.: **34,564**

The ornamental design for a frame member extrusion, as shown and described.

[22] Filed: **Feb. 7, 1995**

[52] U.S. Cl. **D25/113; D25/125**

[58] **Field of Search** D25/60, 52, 124, D25/125, 122, 136; 49/DIG. 2; 52/204.5, 204.56, 204.51, 730.3, 205, 730.1, 730.4, 730.6, 731.2, 92.2, 716.8

DESCRIPTION

FIG. 1 is a sectional view of a frame member extrusion showing our new design, taken on line 1—1 of FIG. 3; FIG. 2 is a rear elevation of the extrusion; and, FIG. 3 is a perspective view of the extrusion.

[56] **References Cited**

U.S. PATENT DOCUMENTS

D. 98,067 1/1936 Hendrickson D25/122

1 Claim, 1 Drawing Sheet

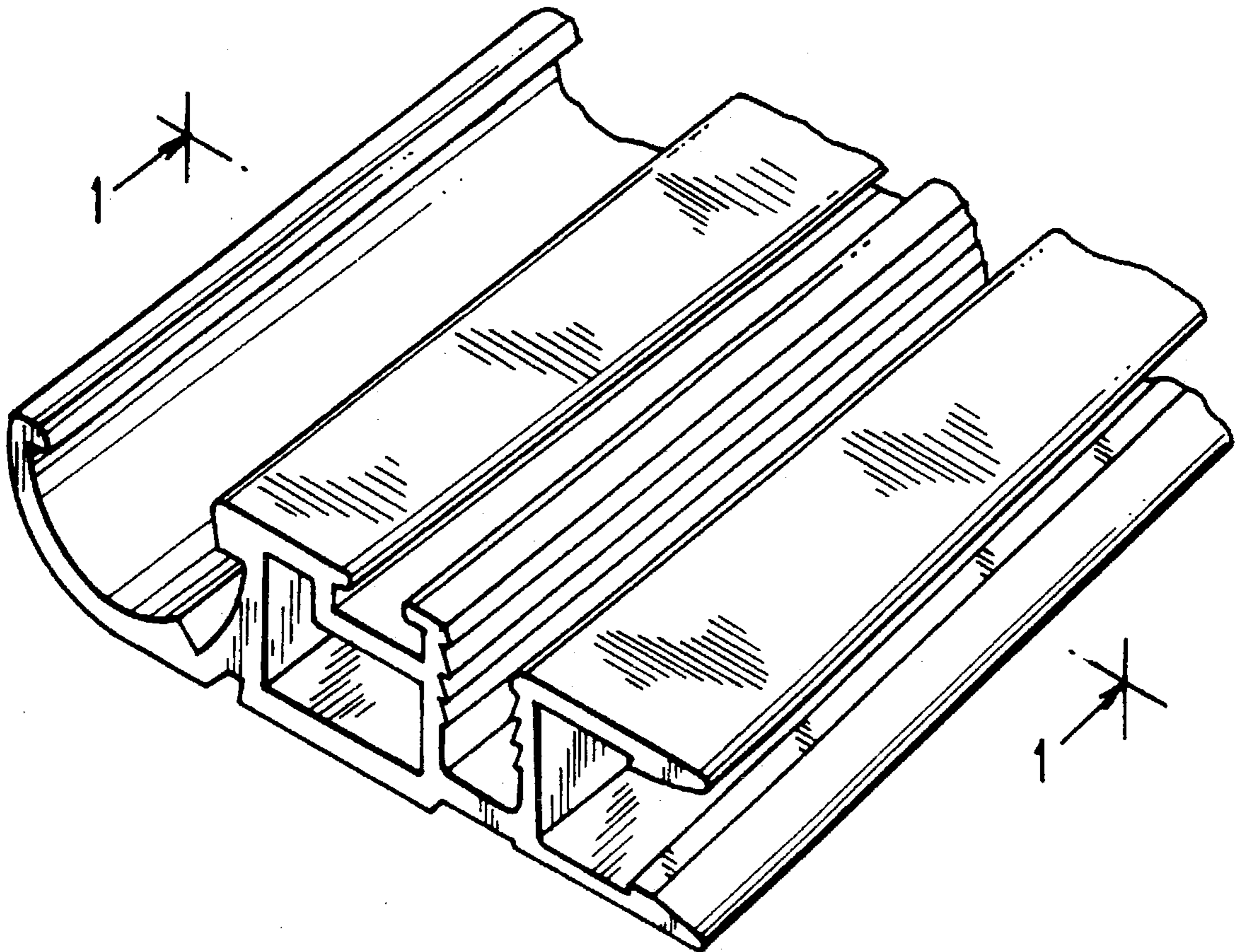


FIG. 1

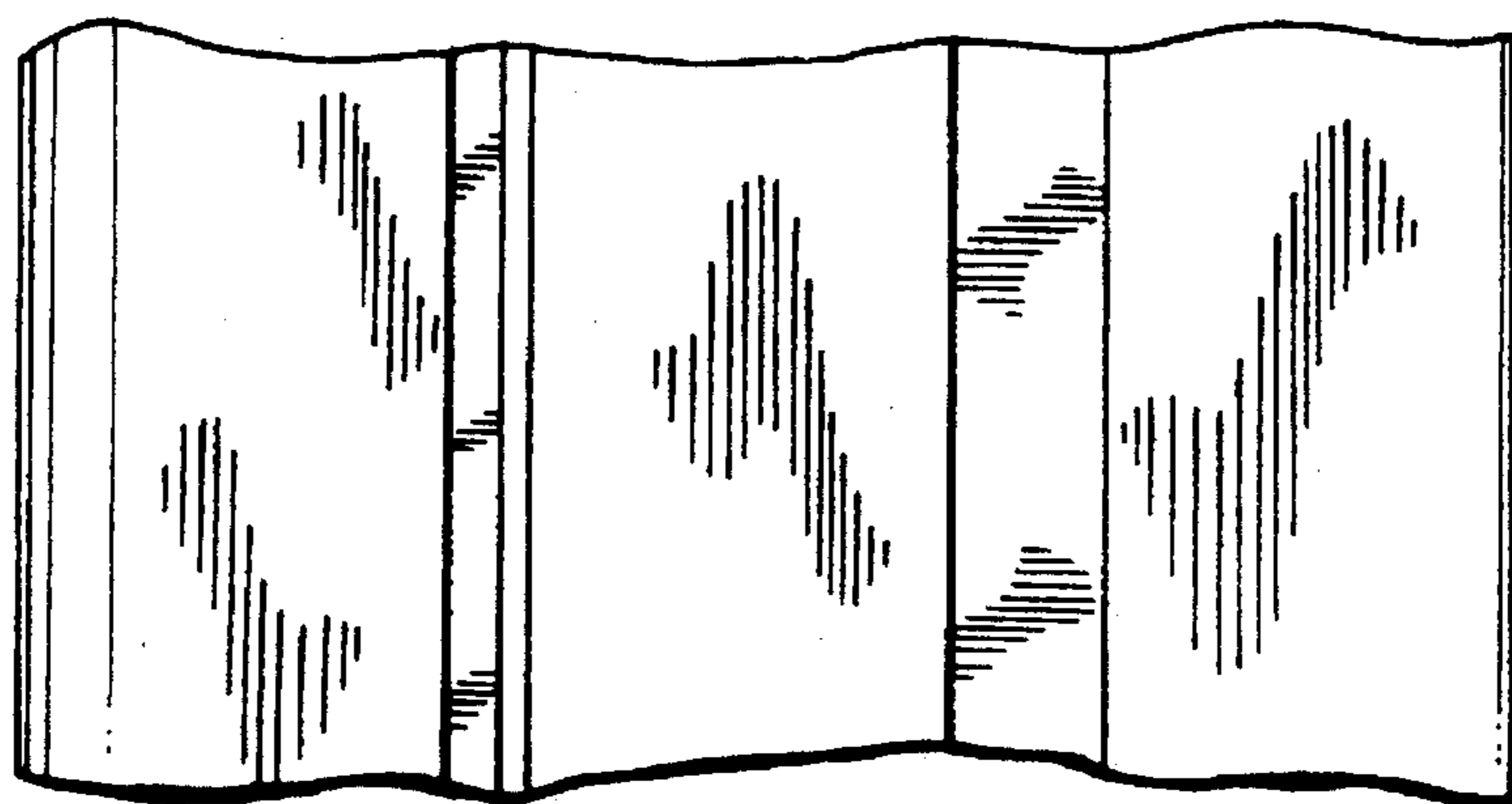
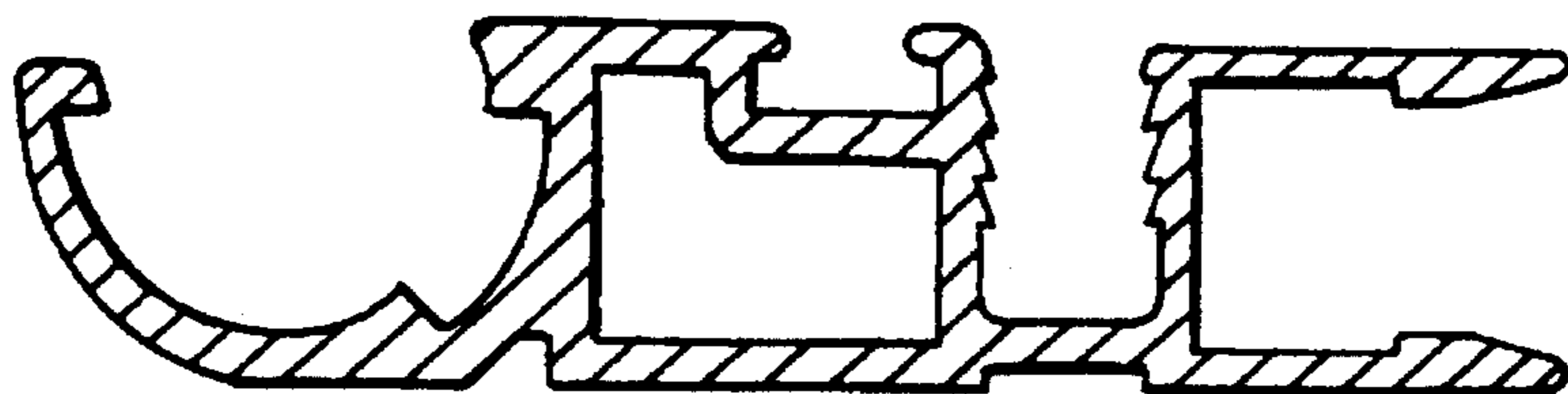


FIG. 2

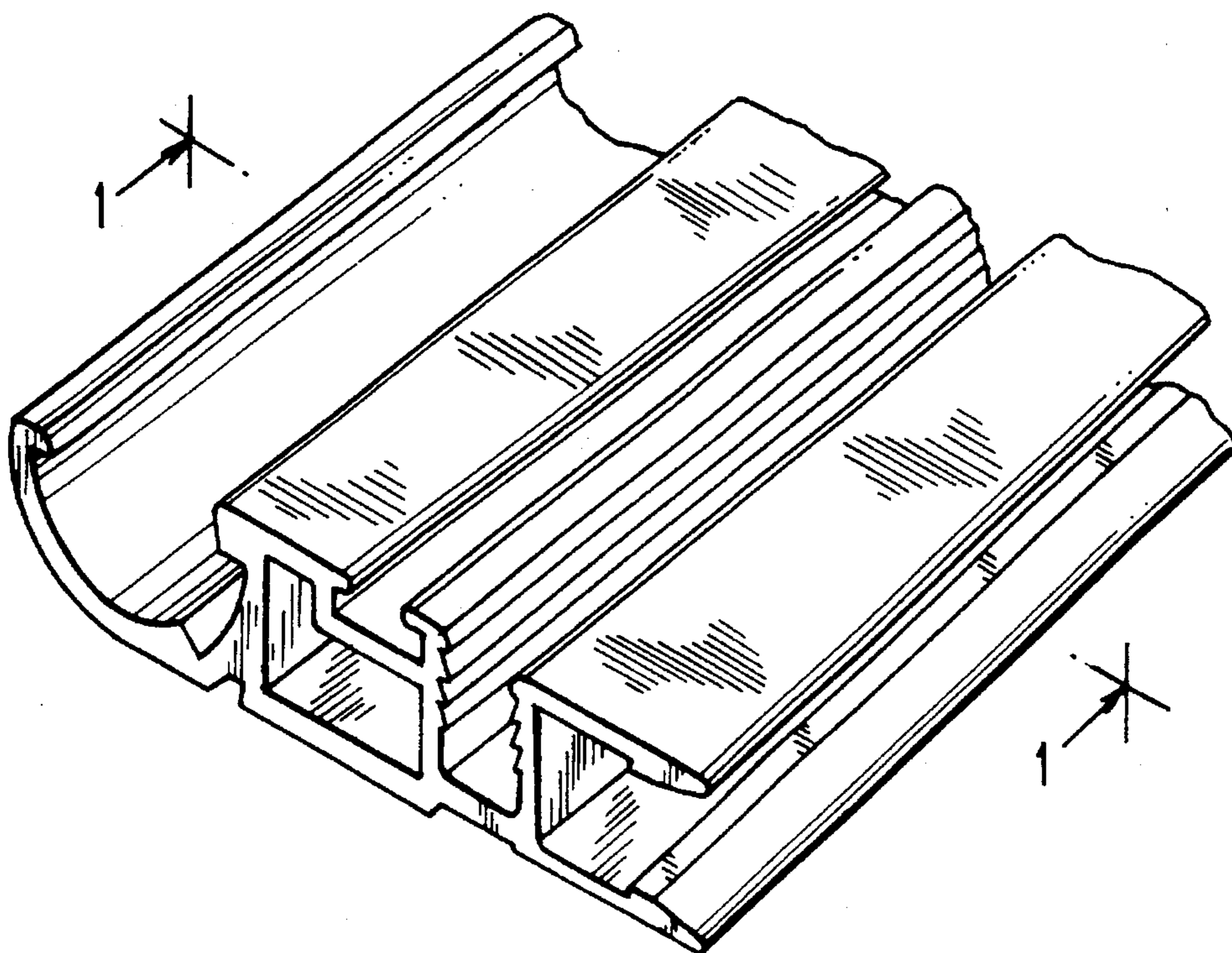


FIG. 3