



US00D37553S

United States Patent [19]

Creed et al.

[11] Patent Number: **Des. 375,553**

[45] Date of Patent: ****Nov. 12, 1996**

[54] **SURGICAL CASSETTE ADAPTER**

[75] Inventors: **Kevin M. Creed**, Colleyville, Tex.;
James R. Dennewill, San Juan
Capistrano, Calif.; **Valentine P. Injev**,
Irvine, Calif.; **Diana J. Perrotta**,
Anaheim Hills, Calif.; **Richard A.**
Rossback, Irvine, Calif.

[73] Assignee: **Alcon Laboratories, Inc.**, Fort Worth,
Tex.

[**] Term: **14 Years**

[21] Appl. No.: **46,467**

[22] Filed: **Nov. 15, 1995**

[52] U.S. Cl. **D24/111; D24/100**

[58] Field of Search **D24/112, 108,**
D24/111, 129, 150; 604/4, 11, 66, 67, DIG. 12,
DIG. 13, 250, 151, 153, 152

[56] **References Cited**

U.S. PATENT DOCUMENTS

4,493,695 1/1985 Cook .

4,627,833 12/1986 Cook .
4,713,051 12/1987 Steppe et al. .
5,249,121 9/1993 Baum et al. .
5,267,956 12/1993 Beuchat 604/30
5,460,490 10/1995 Carr et al. 604/30 X
5,499,969 3/1996 Beuchat et al. 604/30

Primary Examiner—Louis S. Zarfes
Assistant Examiner—I. Simmons
Attorney, Agent, or Firm—Jeffrey S. Schira

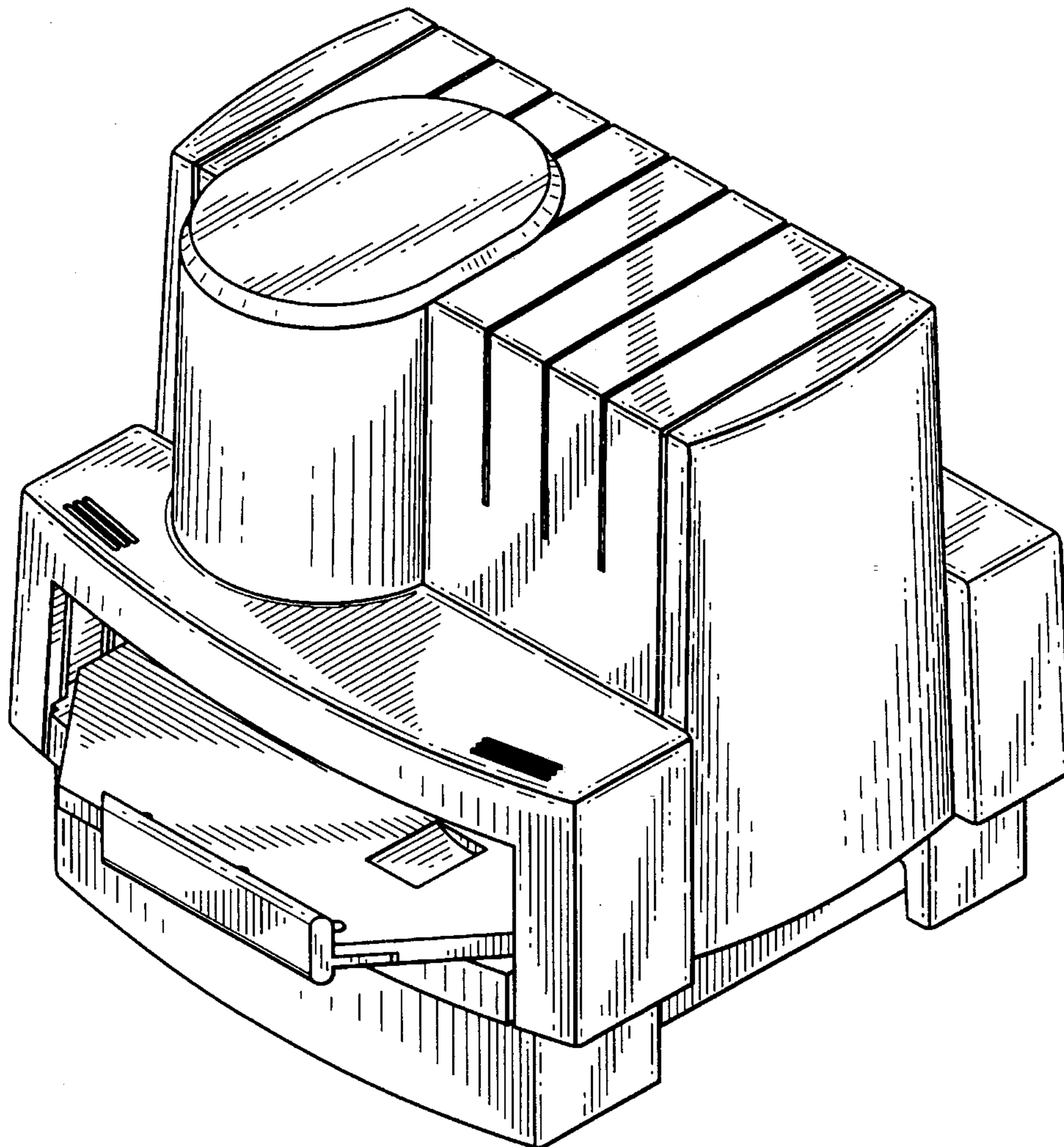
[57] **CLAIM**

The ornamental design for a surgical cassette adapter, as shown and described.

DESCRIPTION

FIG. 1 is a perspective view of the present invention showing the front, top and left side;
FIG. 2 is a front elevational view of the present invention;
FIG. 3 is a rear elevational view of the present invention;
FIG. 4 is a left elevational view of the present invention;
FIG. 5 is a right elevational view of the present invention;
FIG. 6 is a top plan view of the present invention; and,
FIG. 7 is a bottom plan view of the present invention.

1 Claim, 4 Drawing Sheets



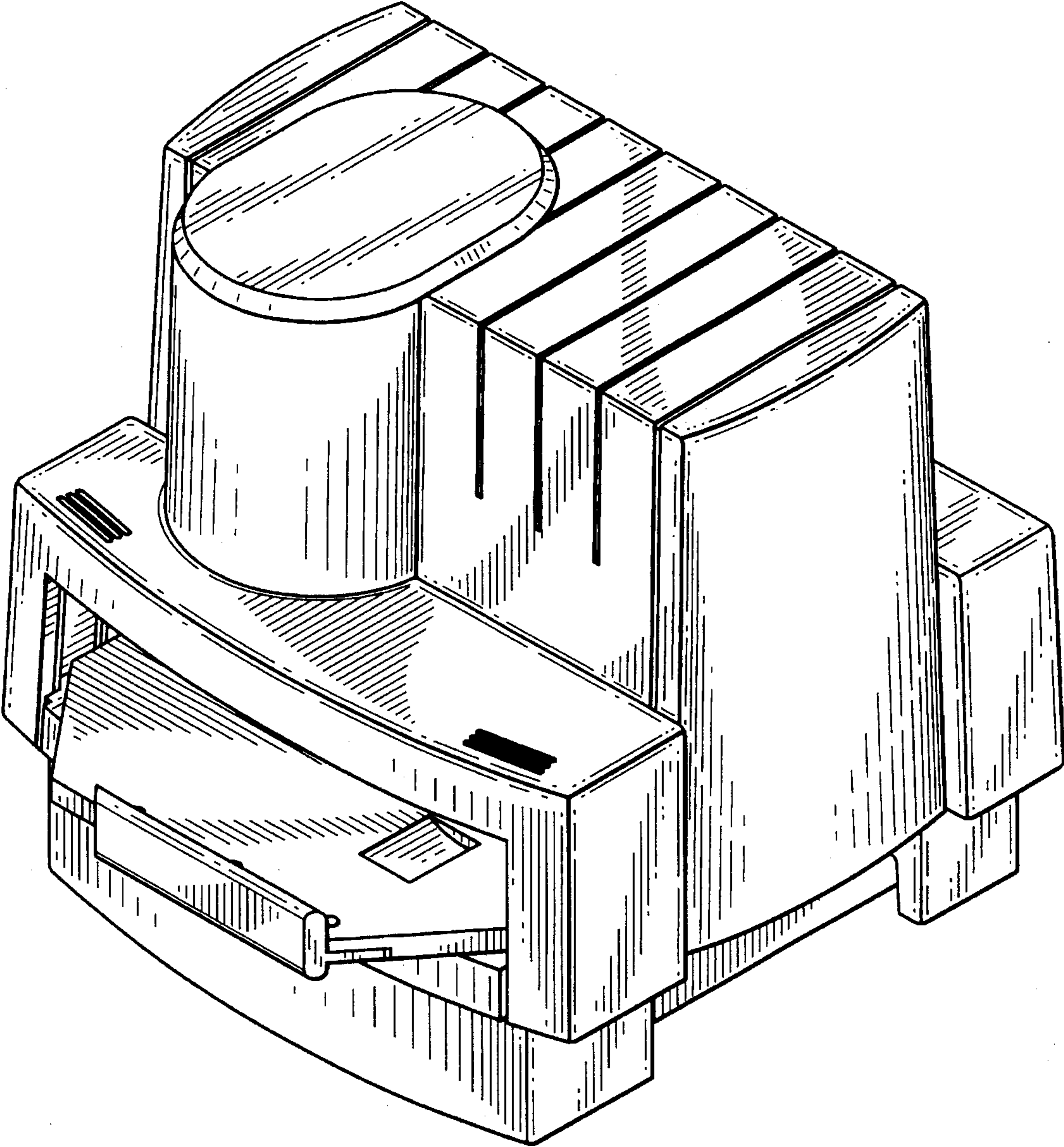


FIG. 1

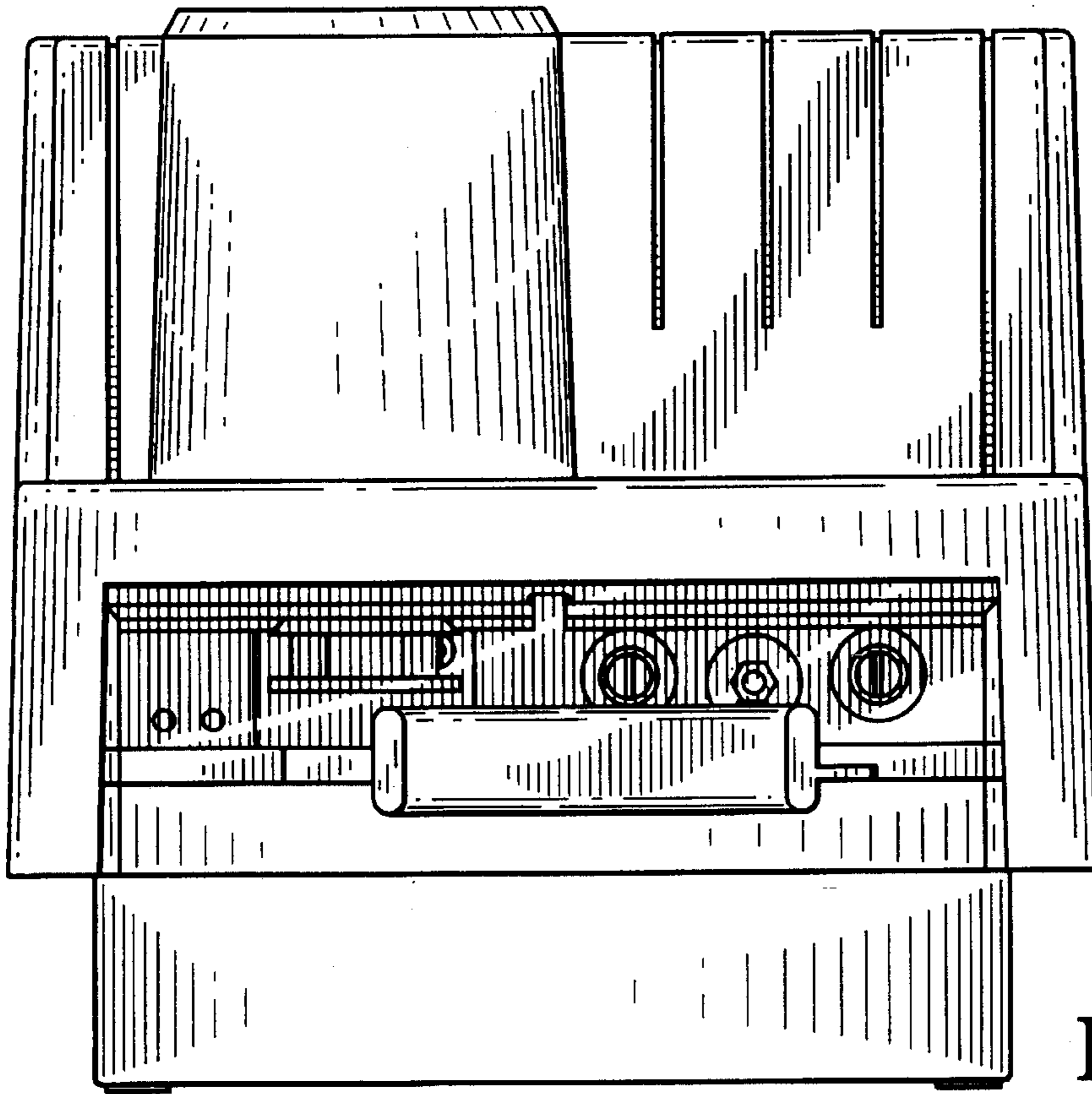


FIG. 2

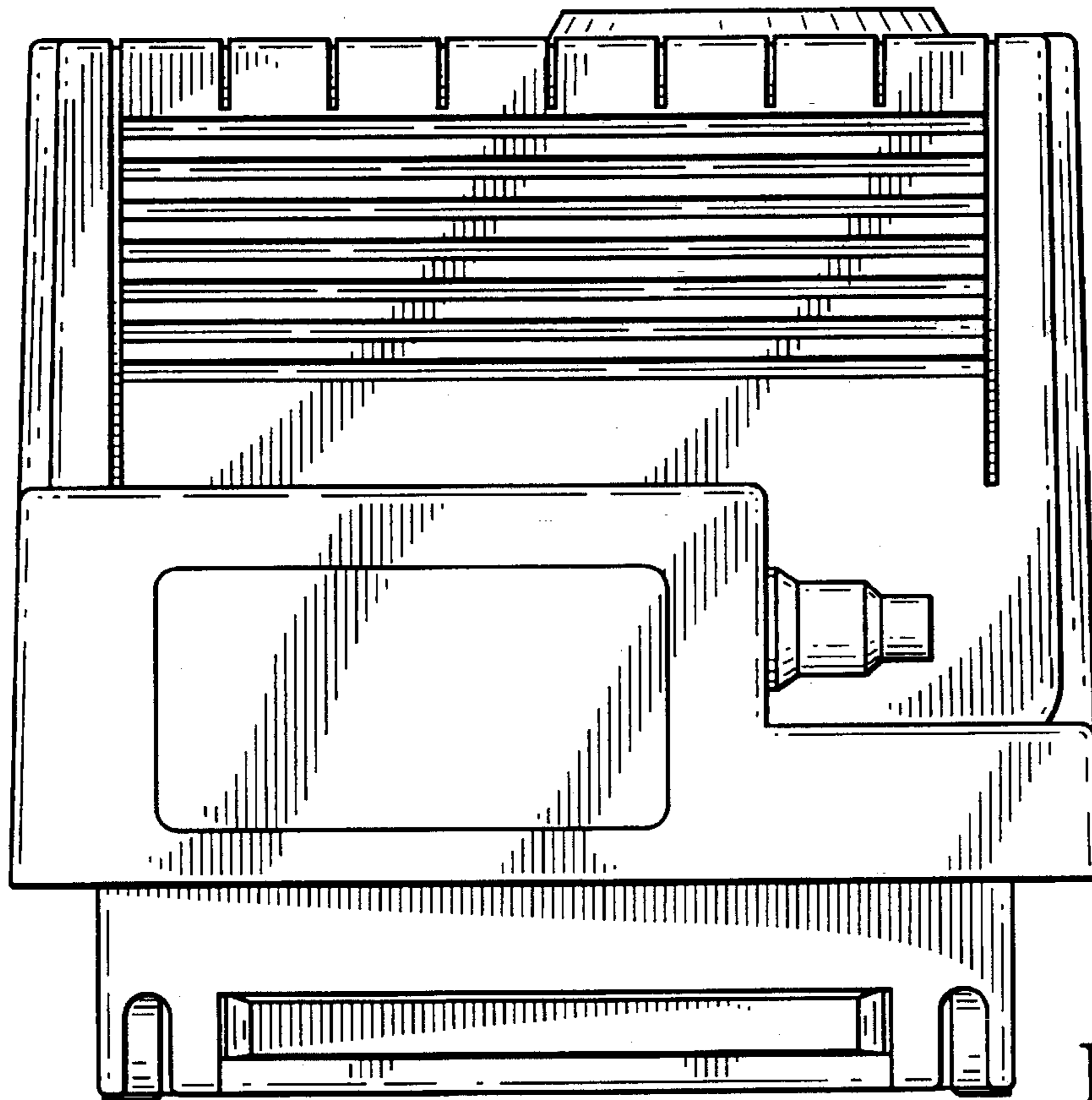


FIG. 3

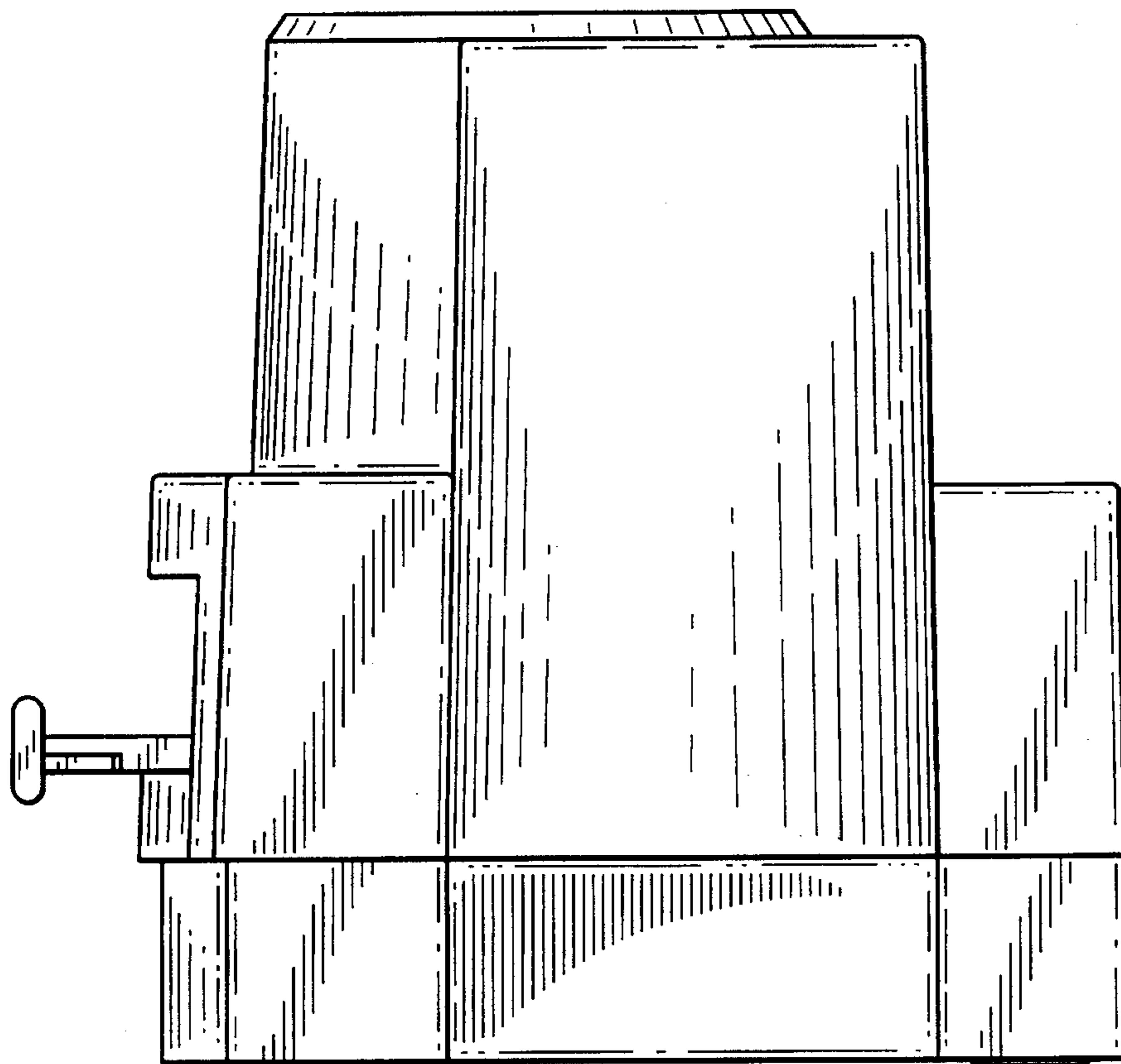


FIG. 4

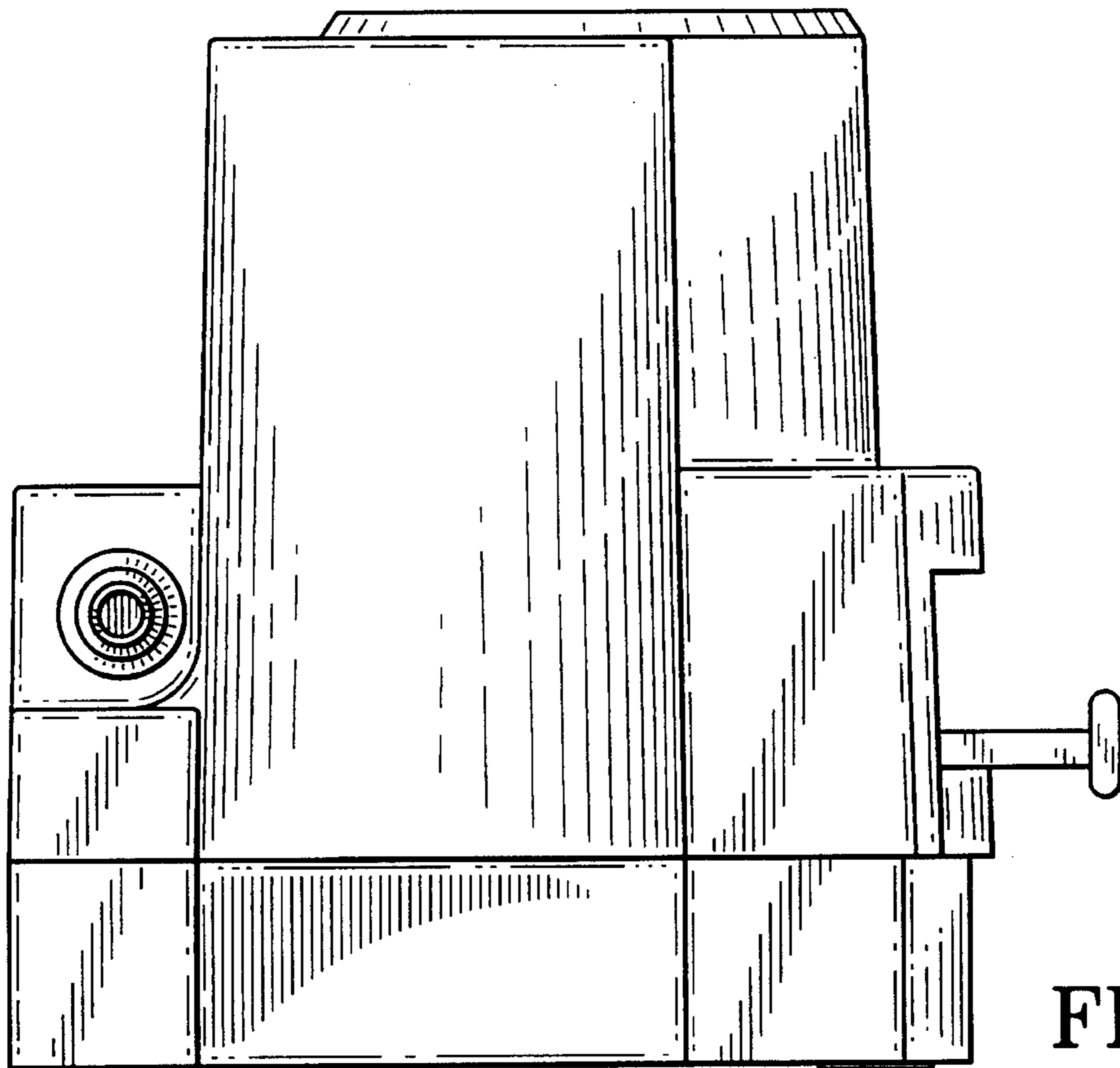


FIG. 5

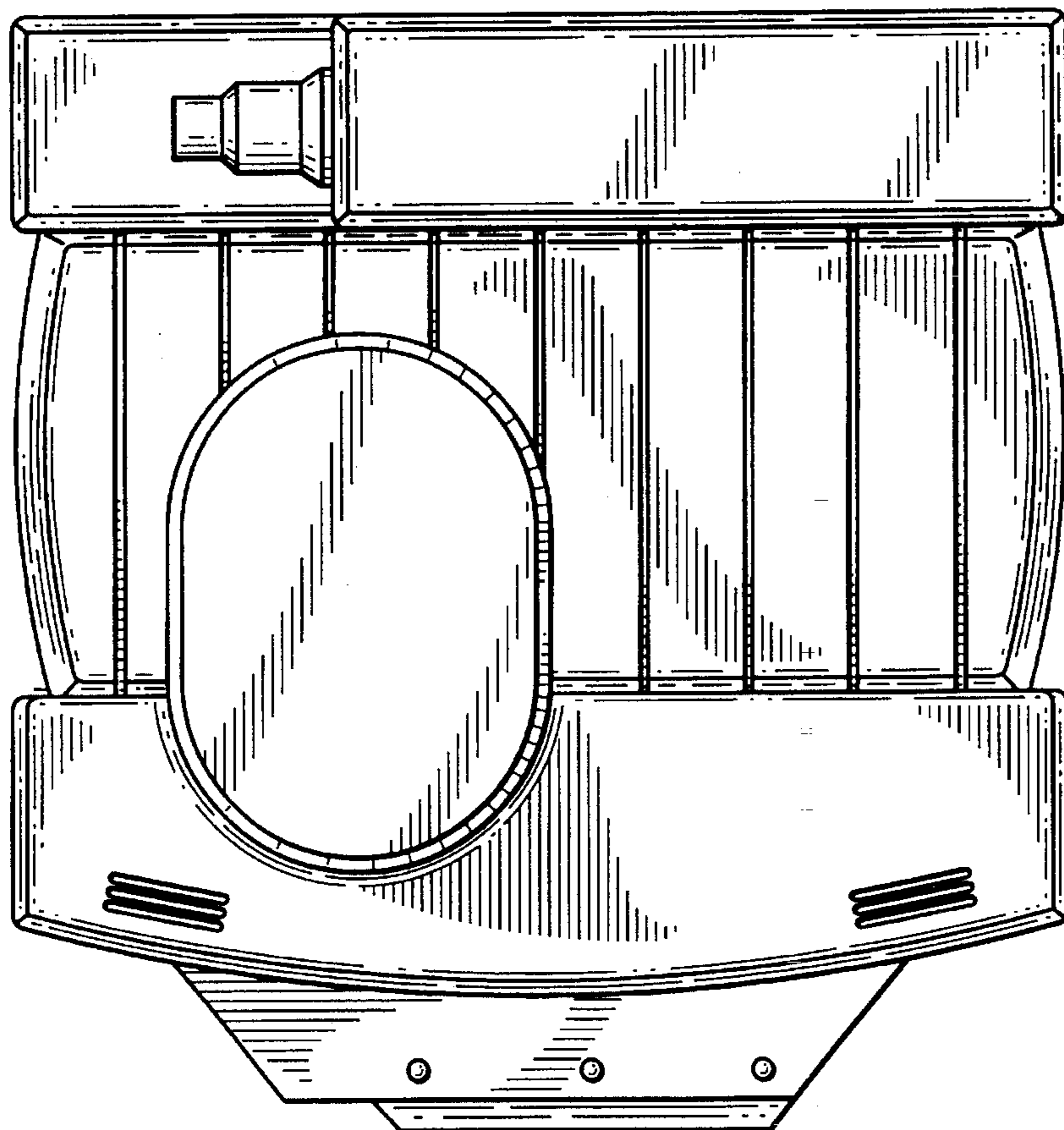


FIG. 6

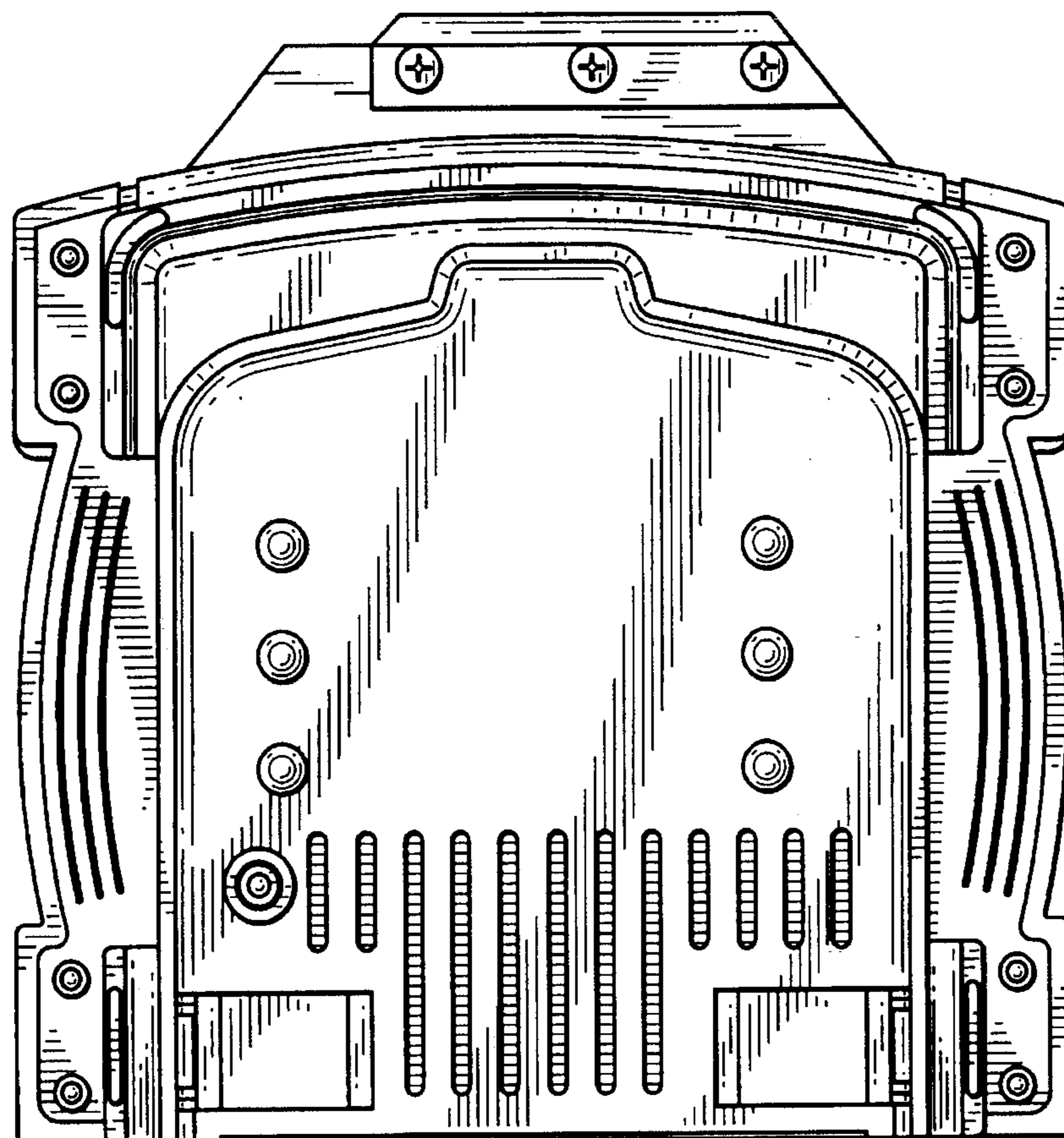


FIG. 7