



US00D375544S

United States Patent [19]

Nakata et al.

[11] Patent Number: **Des. 375,544**

[45] Date of Patent: ****Nov. 12, 1996**

[54] **PORTABLE CHILD TOILET SEAT**
[75] Inventors: **Yoichi Nakata; Shinichi Kataoka; Shuko Yumino**, all of Tokyo, Japan

D. 351,223 10/1994 Wise et al. D23/296
2,411,137 11/1946 Neafeld 4/239
2,446,387 8/1948 Middleton 4/239
4,777,672 10/1988 Gebhard et al. 4/483 X

[73] Assignee: **Pigeon Corporation**, Tokyo, Japan

[**] Term: **14 Years**

Primary Examiner—Louis S. Zarfes
Assistant Examiner—E. Watterson
Attorney, Agent, or Firm—Armstrong, Westerman, Hattori, McLeland & Naughton

[21] Appl. No.: **31,956**

[57] **CLAIM**

[22] Filed: **Dec. 9, 1994**

The ornamental design for a portable child toilet seat, as shown and described.

[30] **Foreign Application Priority Data**

DESCRIPTION

Jun. 14, 1994 [JP] Japan 6-17444

[52] **U.S. Cl.** **D23/296**

[58] **Field of Search** D23/297-301,
D23/296; 4/235, 239, 586, 590, 483, 476-479,
449, 902

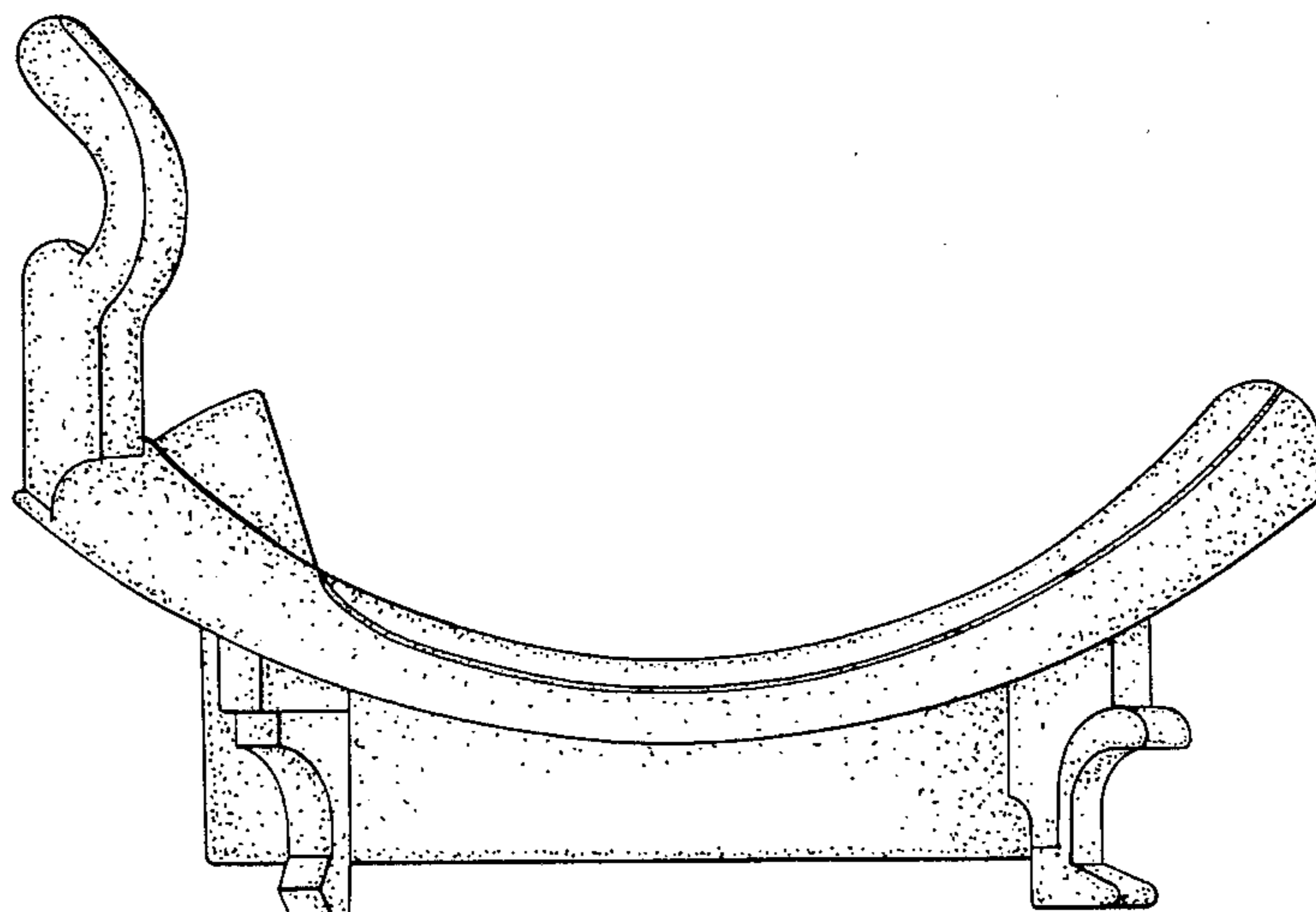
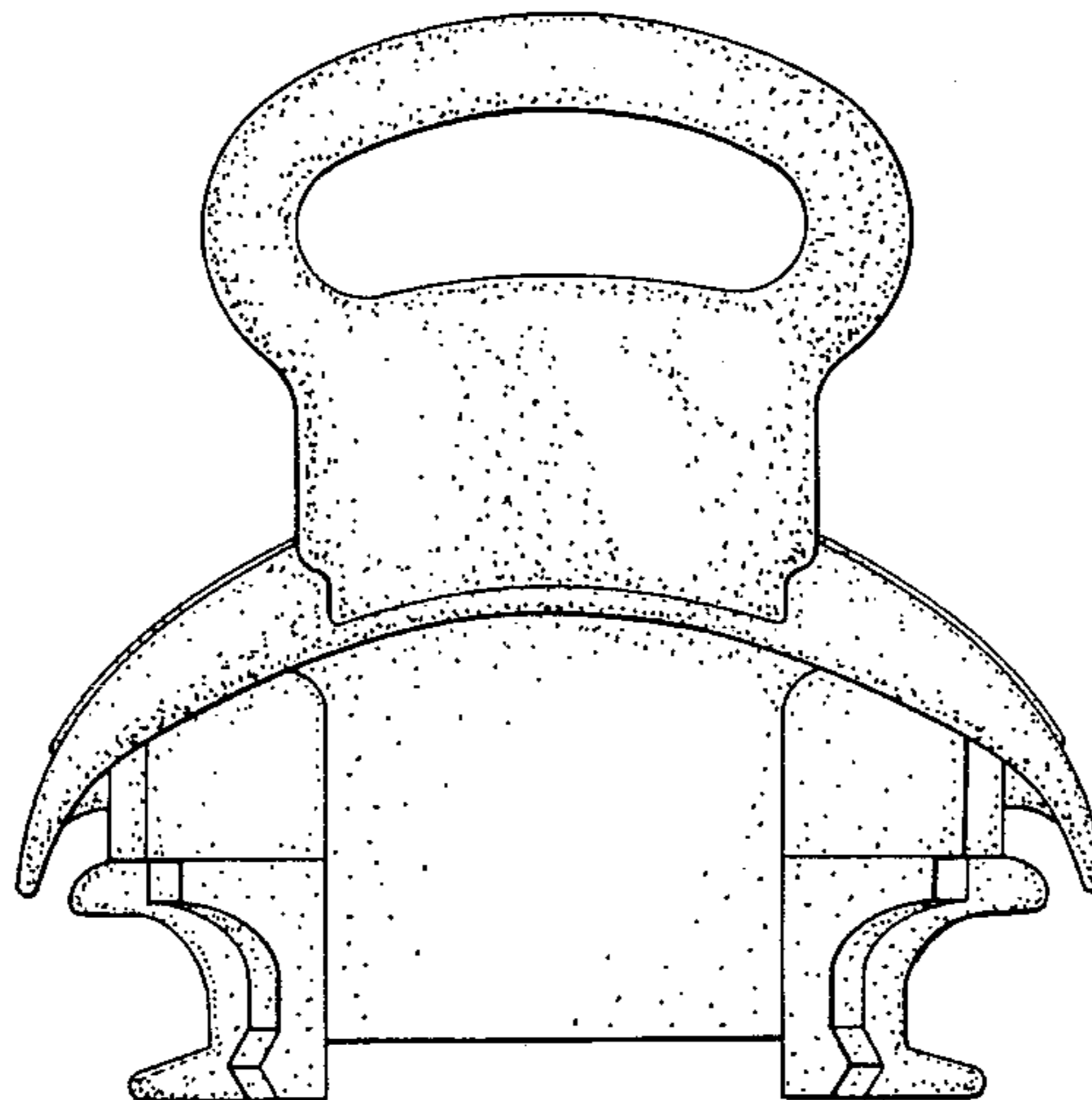
FIG. 1 is a front elevational view of my new design of portable child toilet seat;
FIG. 2 is a rear elevational view thereof;
FIG. 3 is a top plan view thereof;
FIG. 4 is a bottom plan view thereof; and,
FIG. 5 is a right side view thereof, the left side view thereof being a mirror image of the right side view.

[56] **References Cited**

U.S. PATENT DOCUMENTS

D. 180,387 6/1957 Black D23/296

1 Claim, 5 Drawing Sheets



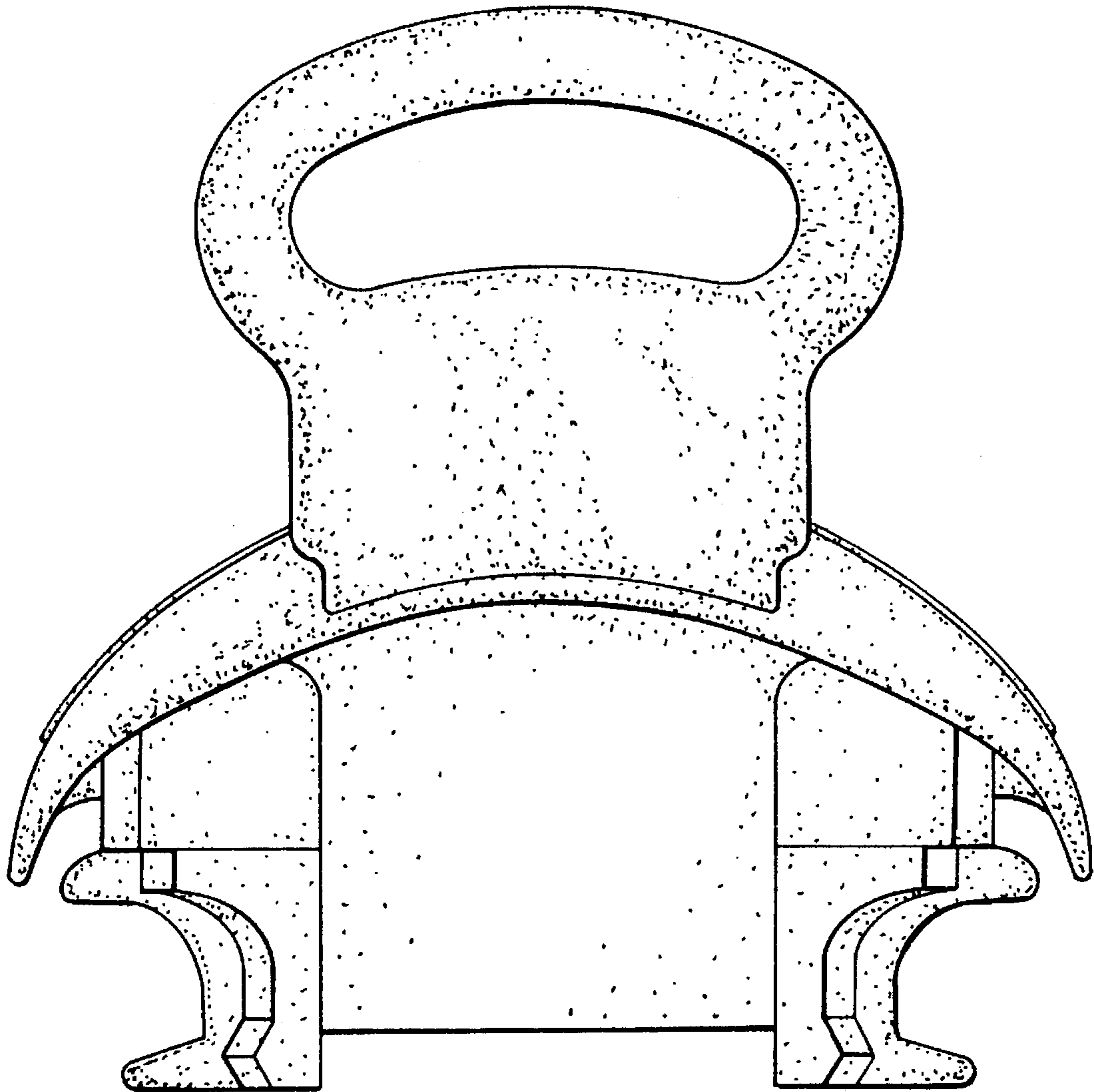


FIG. 1

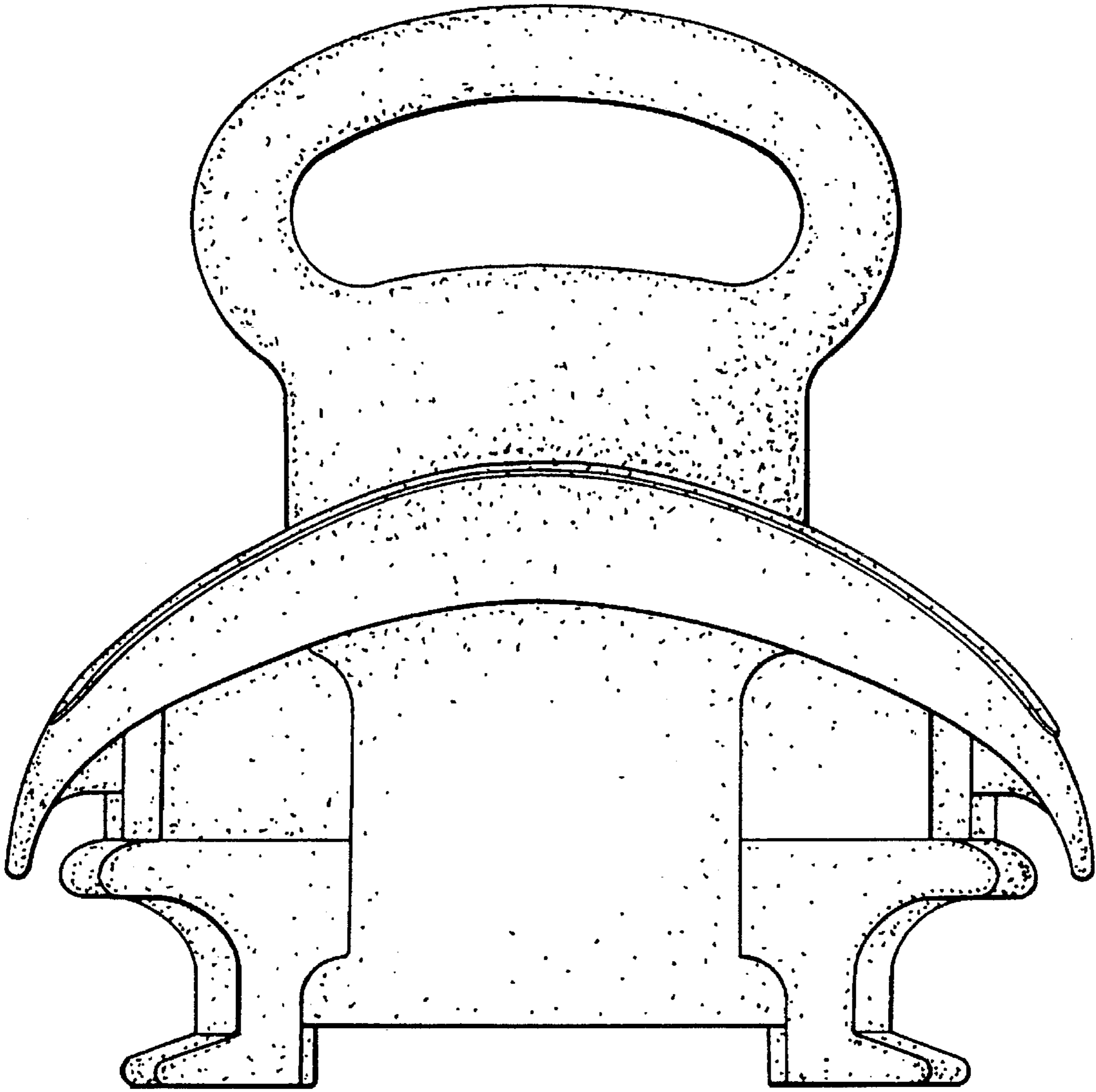


FIG. 2

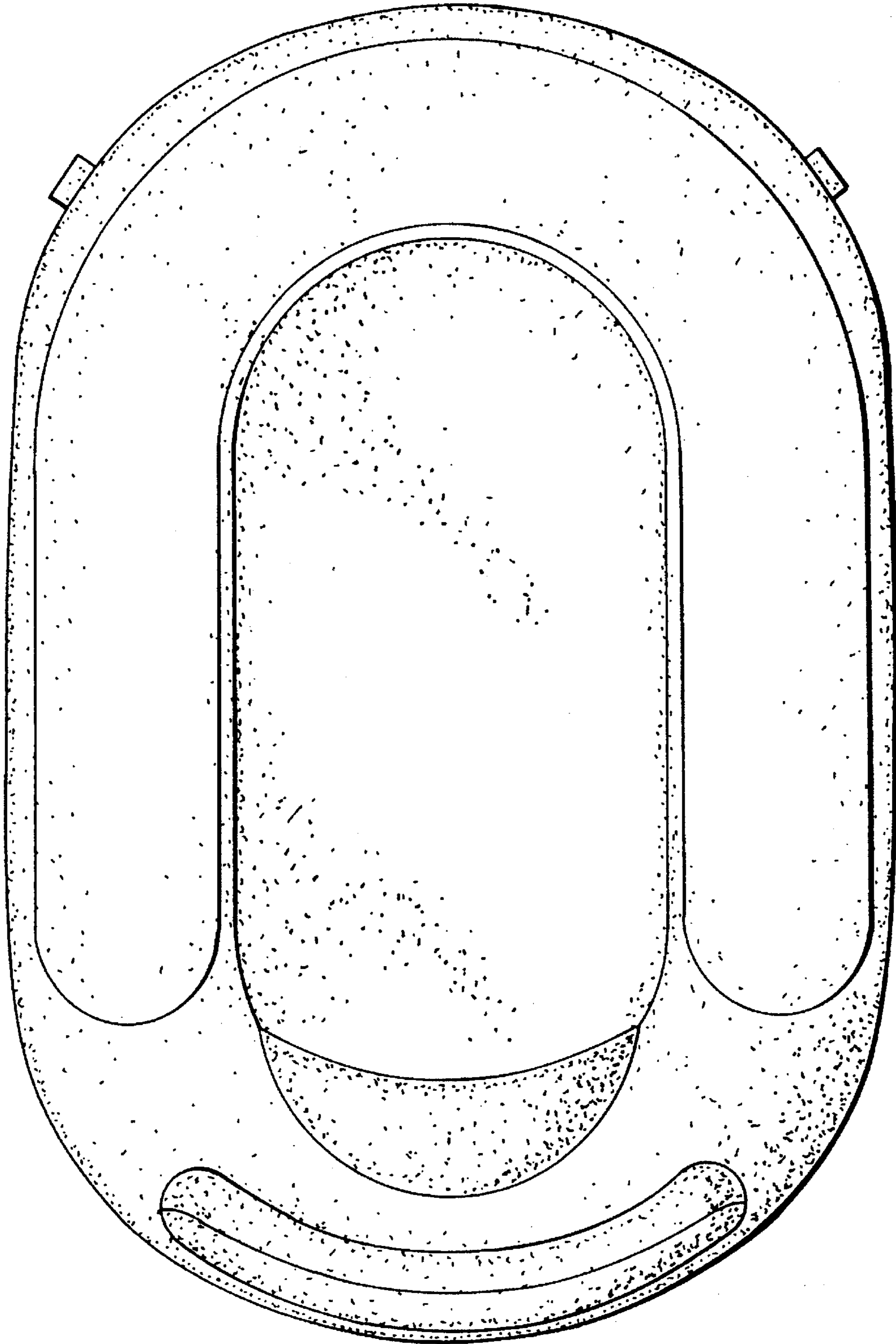


FIG. 3

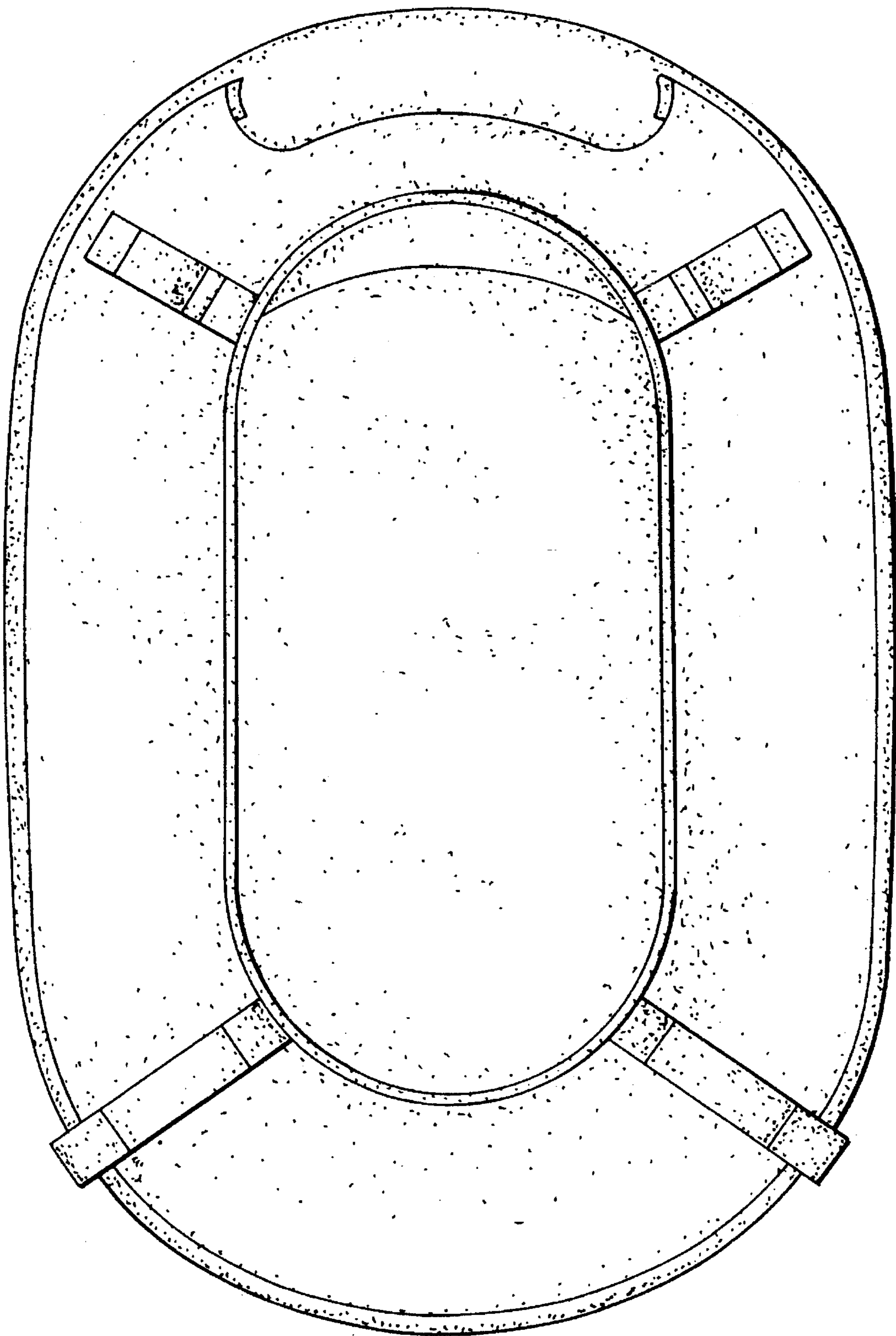


FIG. 4

FIG. 5

