



US00D375543S

# United States Patent [19]

## Wagner

[11] **Patent Number: Des. 375,543**

[45] **Date of Patent: \*\*Nov. 12, 1996**

[54] **LAVATORY BOWL**

D. 340,966 11/1993 Wagner ..... D23/285  
D. 341,649 11/1993 Wagner ..... D23/285

[75] **Inventor: Sherle Wagner, New York, N.Y.**

[73] **Assignee: Sherle Wagner International, Inc.,  
New York, N.Y.**

[\*\*] **Term: 14 Years**

*Primary Examiner*—Stella Reid

*Assistant Examiner*—Eric Watterson

*Attorney, Agent, or Firm*—Edgar A. Zarins; Malcolm L. Sutherland

[21] **Appl. No.: 41,495**

[22] **Filed: Jul. 17, 1995**

[52] **U.S. Cl. .... D23/285; D23/293.1**

[58] **Field of Search .... D23/284–293.1;  
4/619, 624, 625, 638–650**

### [57] CLAIM

The ornamental design for a lavatory bowl, as shown and described.

### DESCRIPTION

FIG. 1 is a perspective view of a lavatory bowl showing my new design;

FIG. 2 is a top plan view thereof;

FIG. 3 is a front elevational view thereof;

FIG. 4 is an end view thereof, the opposite end being a mirror image of the end shown; and,

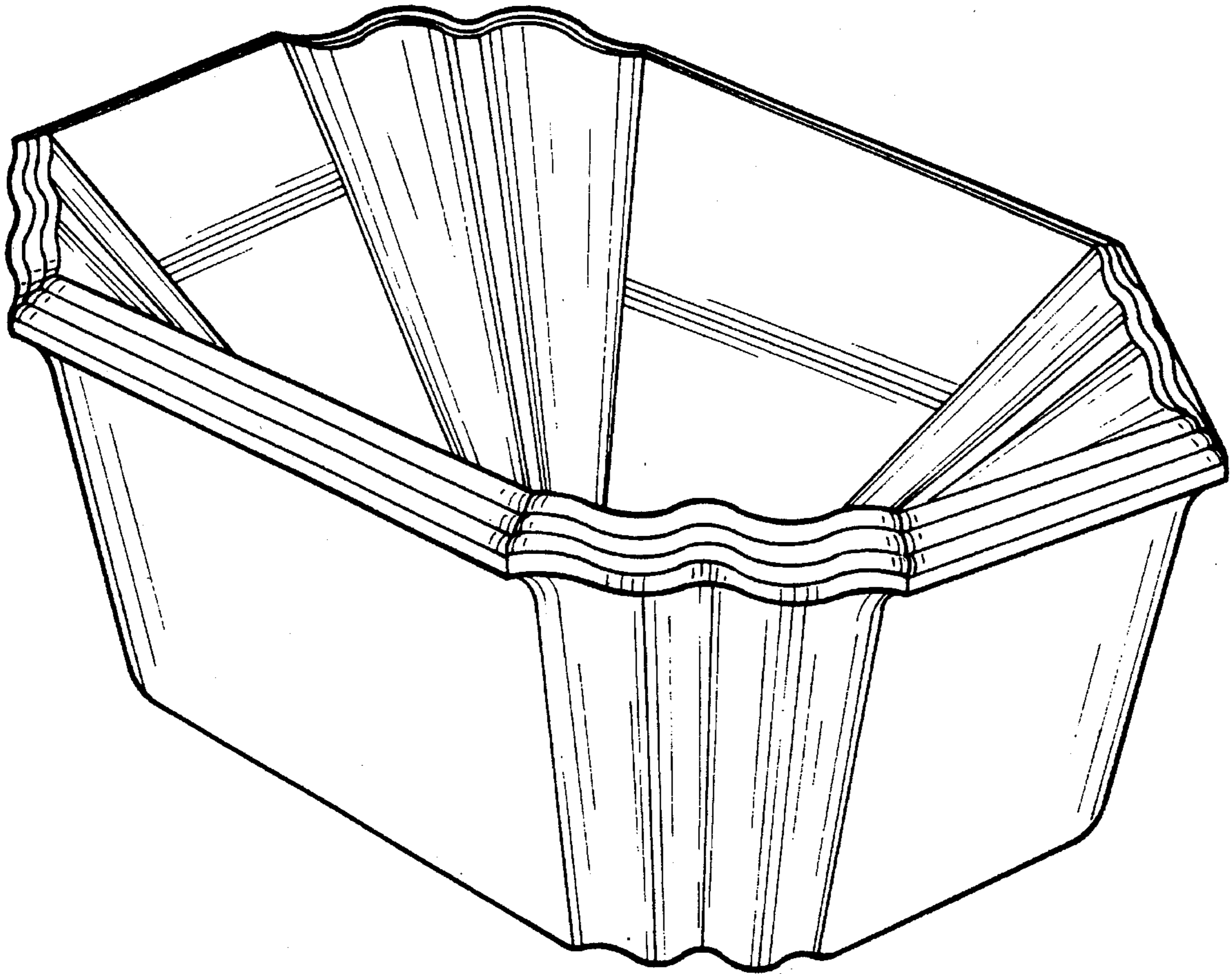
FIG. 5 is a rear elevational view thereof.

### [56] References Cited

#### U.S. PATENT DOCUMENTS

D. 28,257	4/1929	Bonner, Jr. ....	D23/292
D. 186,301	10/1959	Hurwitz .....	D23/285
D. 213,558	3/1969	Colborn .....	D23/285
D. 242,859	12/1976	Gruber .....	D23/285

**1 Claim, 2 Drawing Sheets**



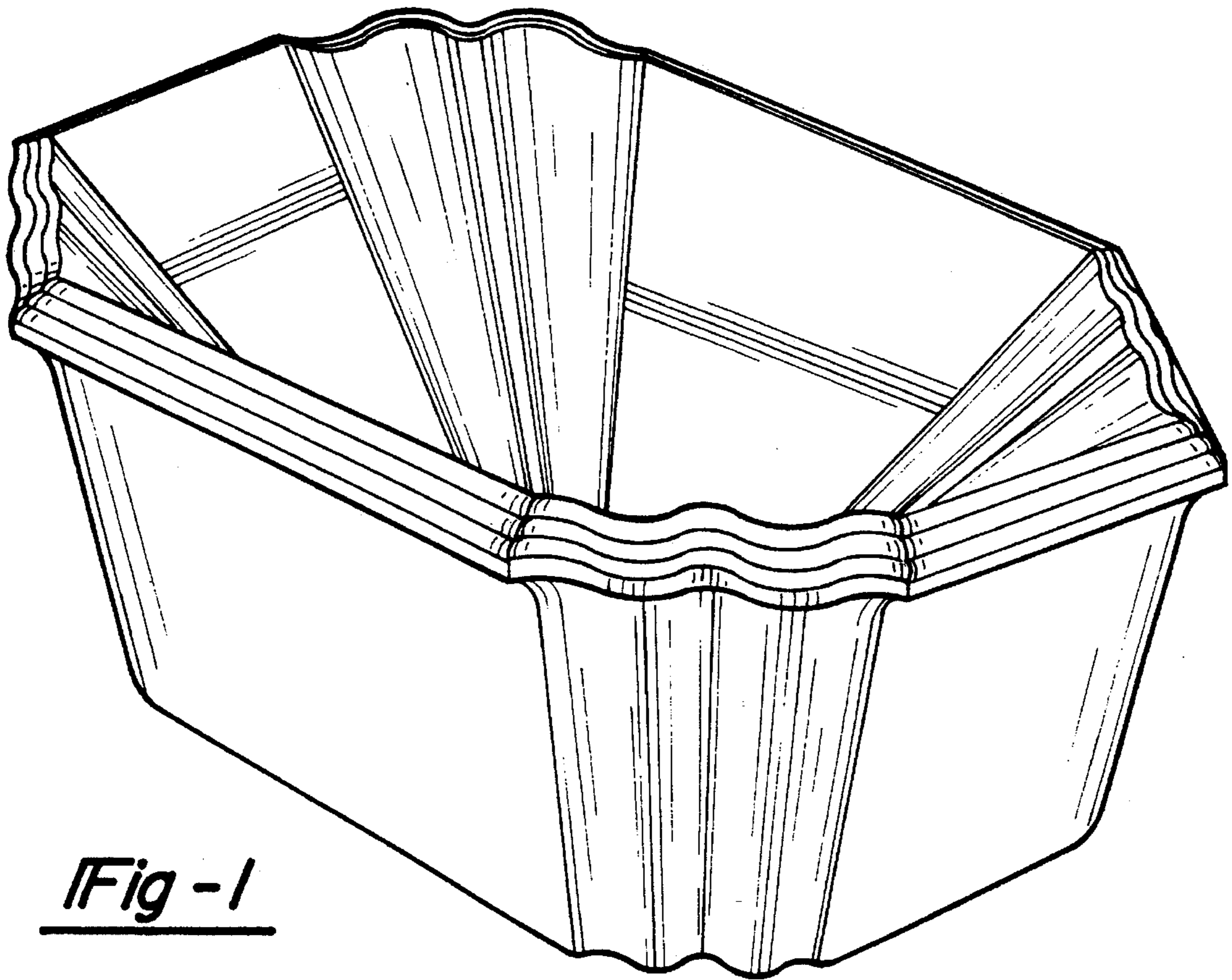


Fig - 1

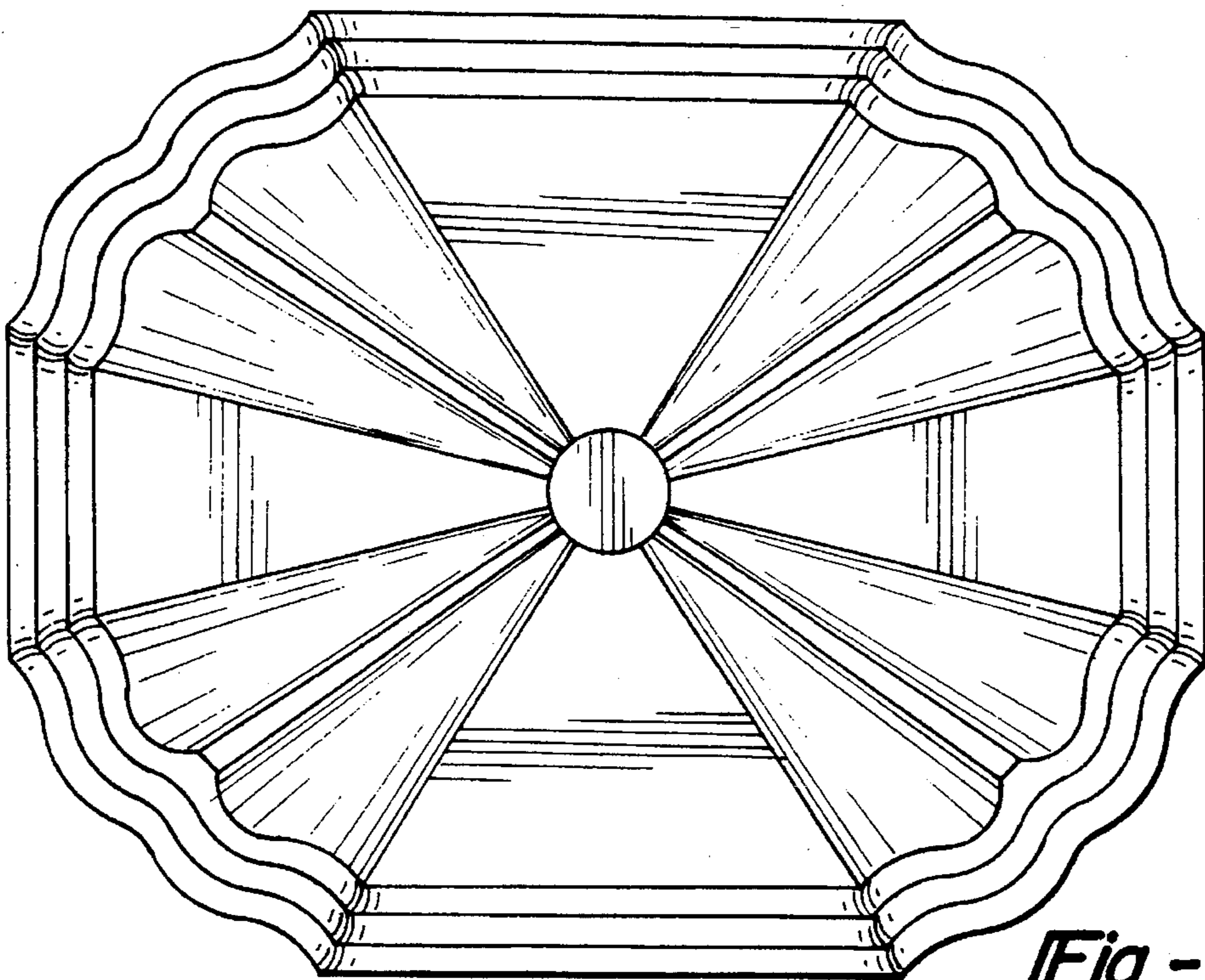


Fig - 2



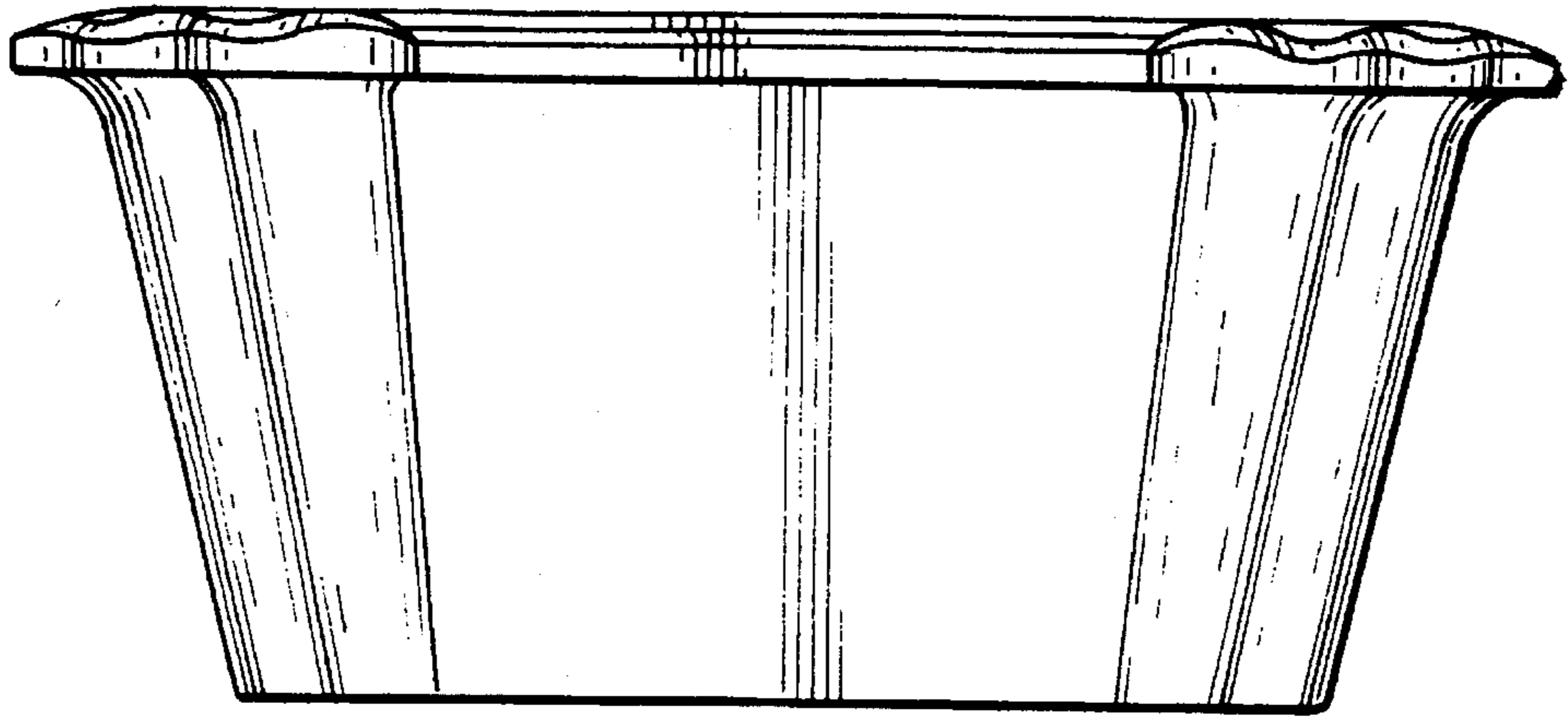


Fig - 3

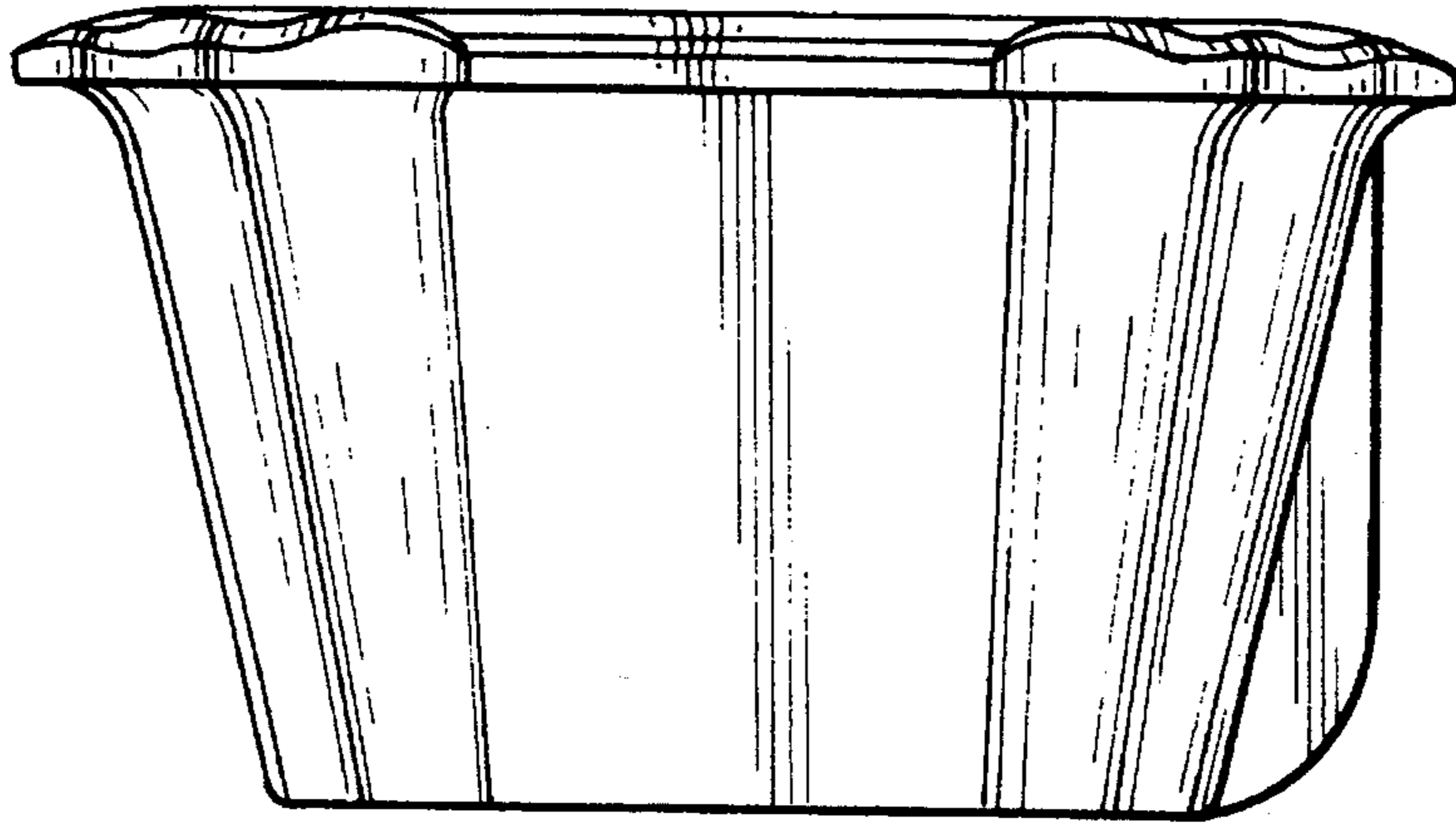


Fig - 4

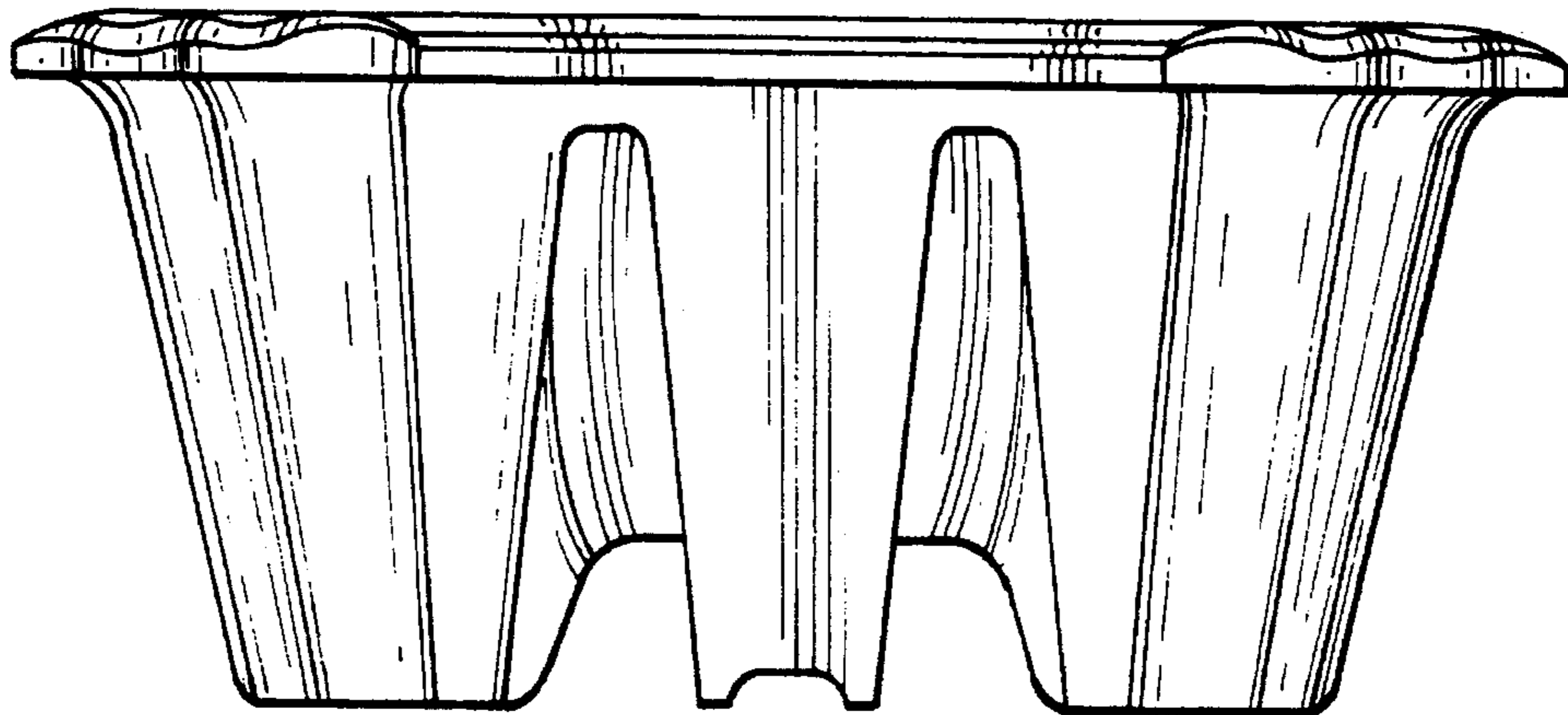


Fig - 5