



US00D375542S

# United States Patent [19]

[11] Patent Number: **Des. 375,542**

**Doughty et al.**

[45] Date of Patent: **\*\*Nov. 12, 1996**

[54] FAUCET

D. 363,875 11/1995 Dougady et al. .... D23/241

[76] Inventors: **Frederic C. Doughty**, 842 Oneota Dr., S. Pasadena, Calif. 91030; **Darren M. Mark**, 29109 Eveningside Dr., Castaic, Calif. 91384

*Primary Examiner*—Louis S. Zarfaz  
*Assistant Examiner*—Eric Watterson  
*Attorney, Agent, or Firm*—J. Bruce Hoofnagle

[\*] Notice: The portion of the term of this patent subsequent to Nov. 7, 2009, has been disclaimed.

[57] **CLAIM**

The ornamental design for faucet, as shown and described.

[\*\*] Term: **14 Years**

**DESCRIPTION**

[21] Appl. No.: **33,987**

[22] Filed: **Jan. 25, 1995**

[52] U.S. Cl. .... **D23/242**

[58] Field of Search ..... D23/238-243,  
D23/250-258; 4/675, 676, 677, 678; 137/801

FIG. 1 is a front view of a first embodiment of our new design of a faucet;

FIG. 2 is a rear view of the first embodiment of our new design of the faucet;

FIG. 3 is a top view of the first embodiment of our new design of the faucet;

FIG. 4 is a bottom view of the first embodiment of our new design of the faucet;

FIG. 5 is a left side view of the first embodiment of our new design of the faucet, a right side view thereof being a mirror image of the left side view;

FIG. 6 is a perspective view of the first embodiment of our new design of the faucet;

FIG. 7 is a front view of a second embodiment of our new design of the faucet;

FIG. 8 is a rear view of the second embodiment of our new design of the faucet;

FIG. 9 is a top view of the second embodiment of our new design of the faucet;

FIG. 10 is a bottom view of the second embodiment of our new design of the faucet;

FIG. 11 is a left side view of the second embodiment of our new design of the faucet, a right side view thereof being a mirror image of the left side view; and,

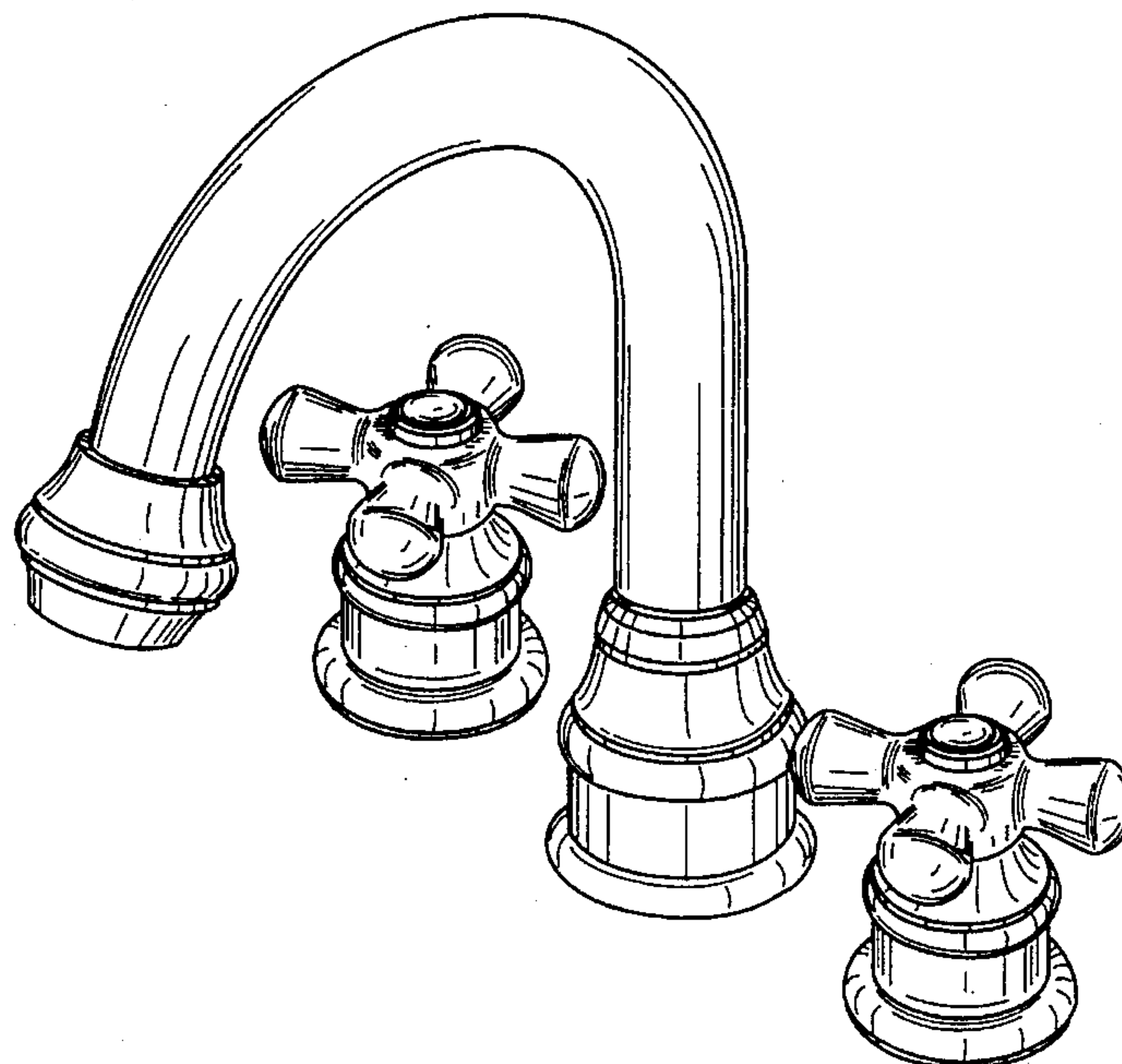
FIG. 12 is a perspective view of the second embodiment of our new design of the faucet.

[56] **References Cited**

**U.S. PATENT DOCUMENTS**

- D. 276,259 11/1984 Miller .
- D. 280,010 8/1985 Miller et al. .
- D. 287,747 1/1987 Miller et al. .
- D. 288,835 3/1987 Yost .
- D. 295,550 5/1988 Yost .
- D. 295,551 5/1988 Yost .
- D. 314,813 2/1991 Jans .
- D. 318,714 7/1991 Spangler .
- D. 318,906 8/1991 Spangler .
- D. 320,645 10/1991 Knapp et al. .
- D. 321,629 11/1991 Hollinger ..... D23/250
- D. 321,750 11/1991 Spangler .
- D. 325,772 4/1992 Carr .
- D. 327,944 7/1992 Stairs et al. .
- D. 329,782 8/1992 Paterson .
- D. 340,763 10/1993 Bonnell ..... D23/250
- D. 350,390 9/1994 Bollenbacher .
- D. 352,095 11/1994 Bollenbacher .

**1 Claim, 12 Drawing Sheets**



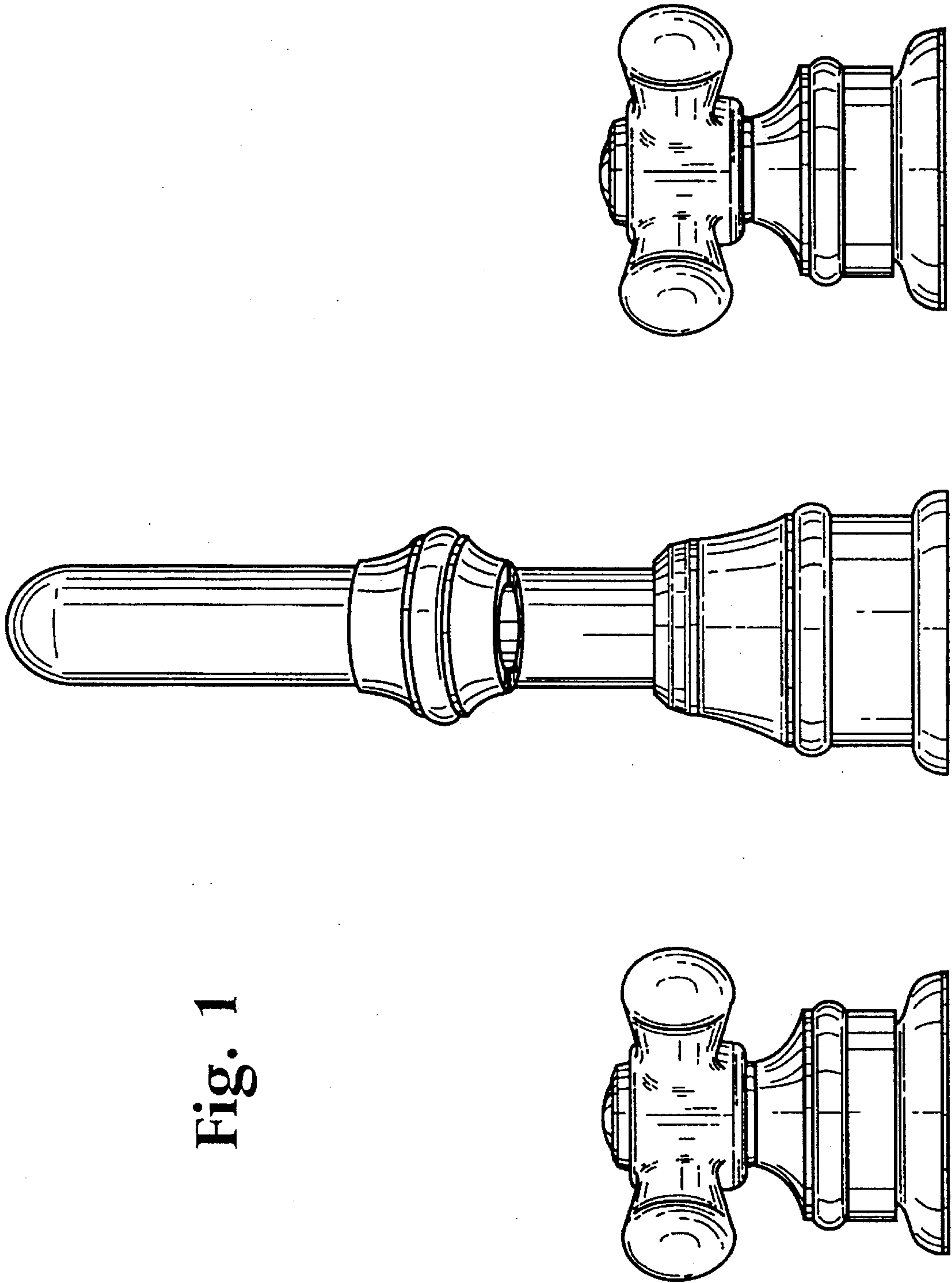
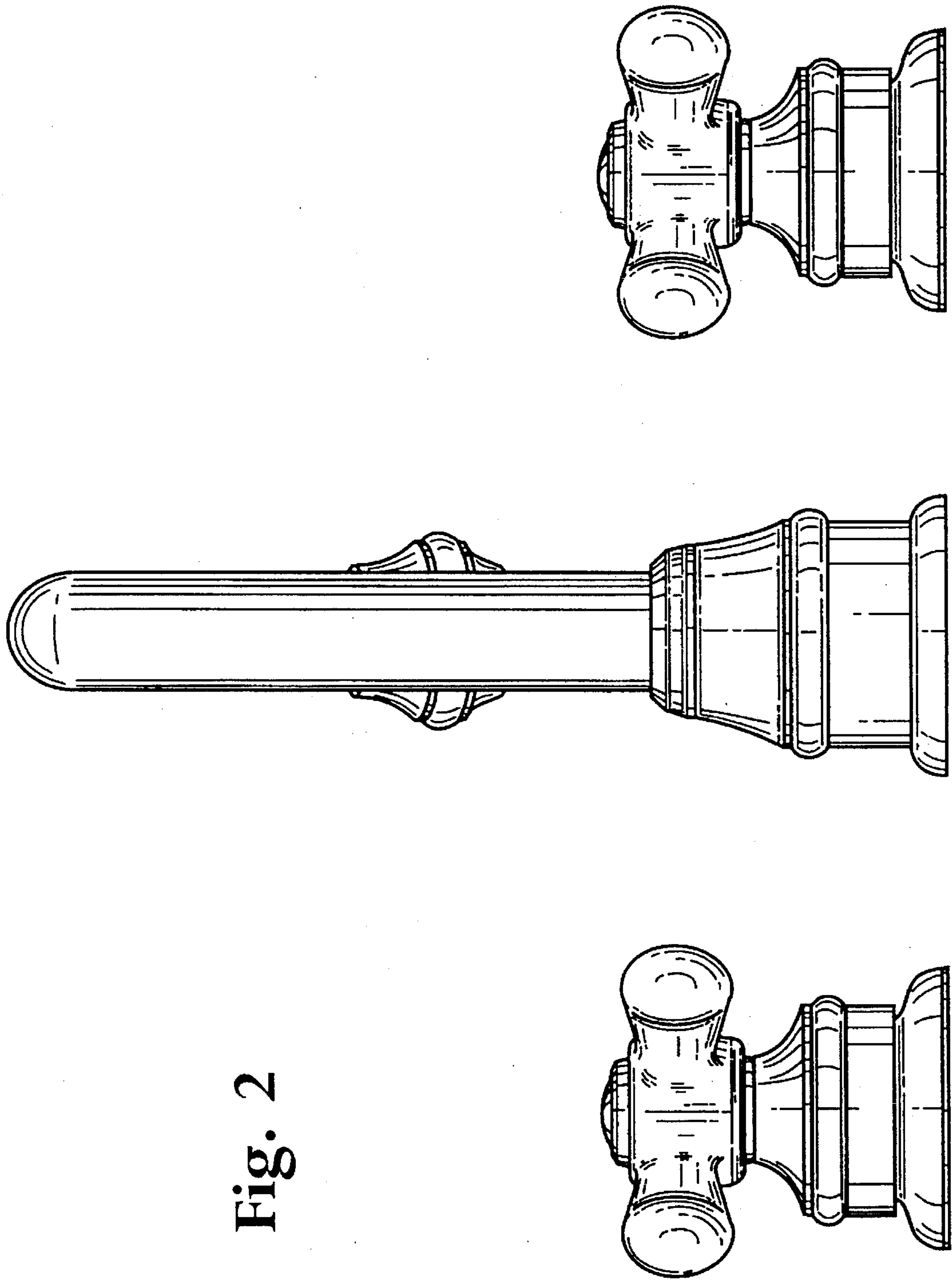


Fig. 1



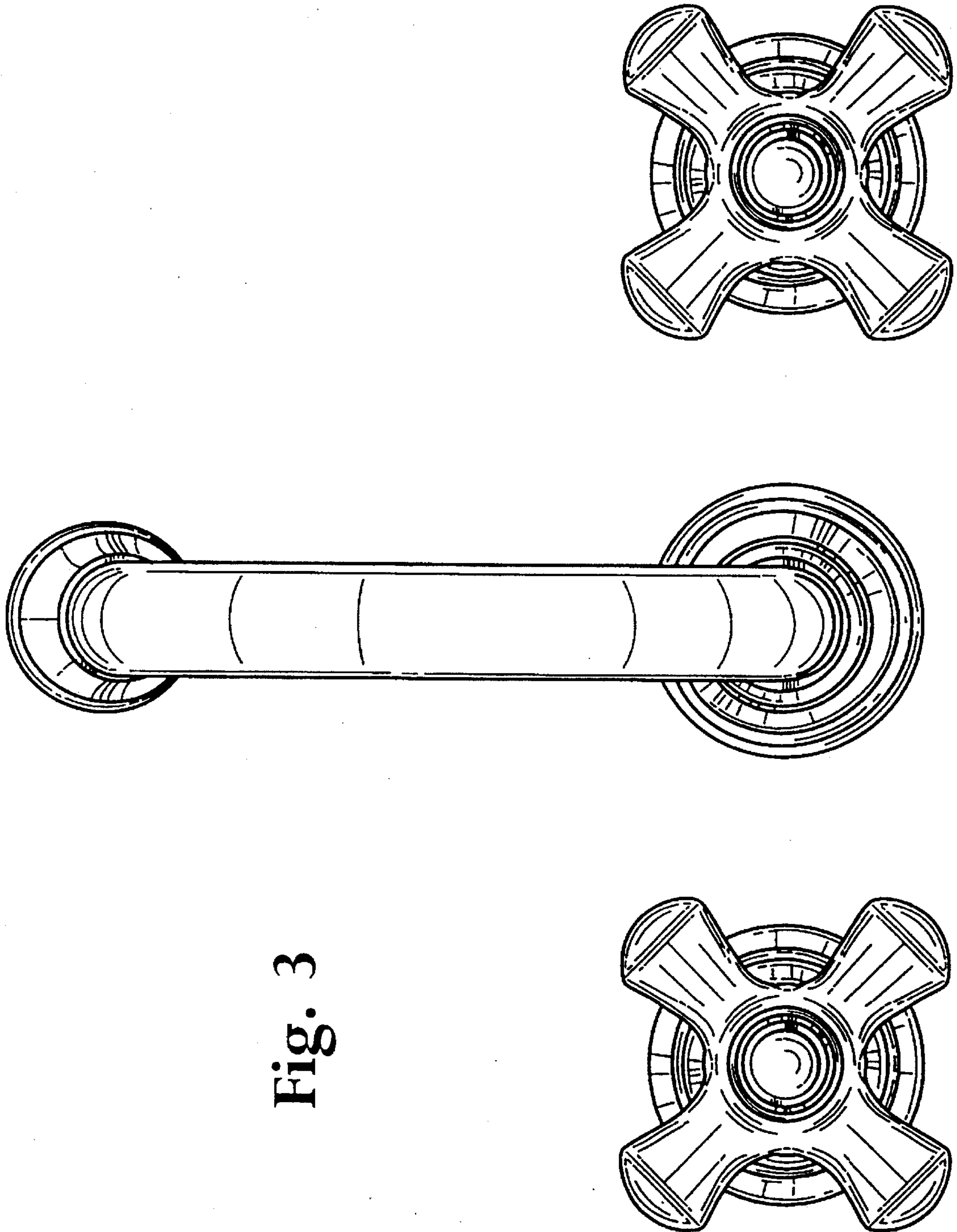


Fig. 3



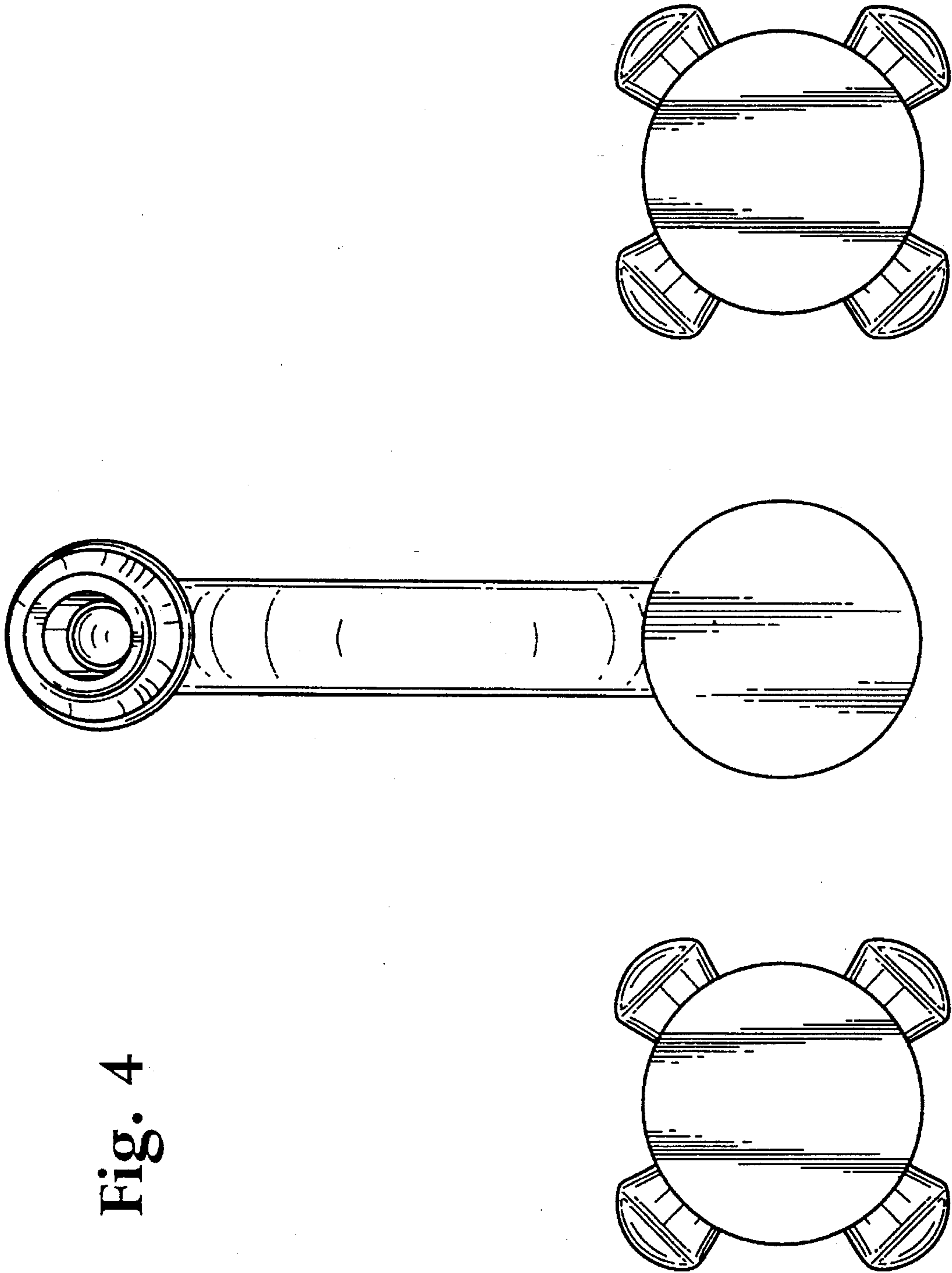


Fig. 4

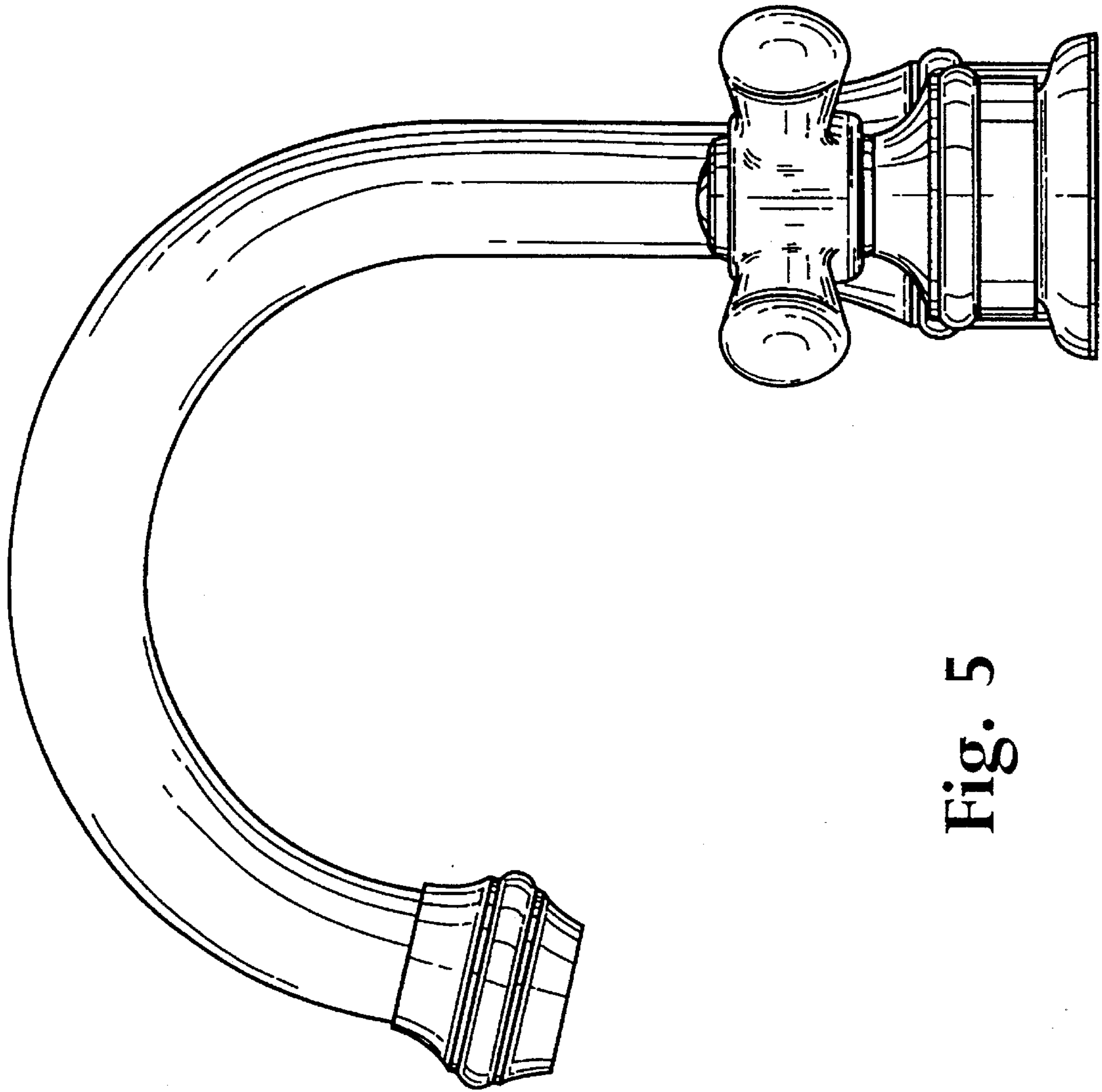


Fig. 5

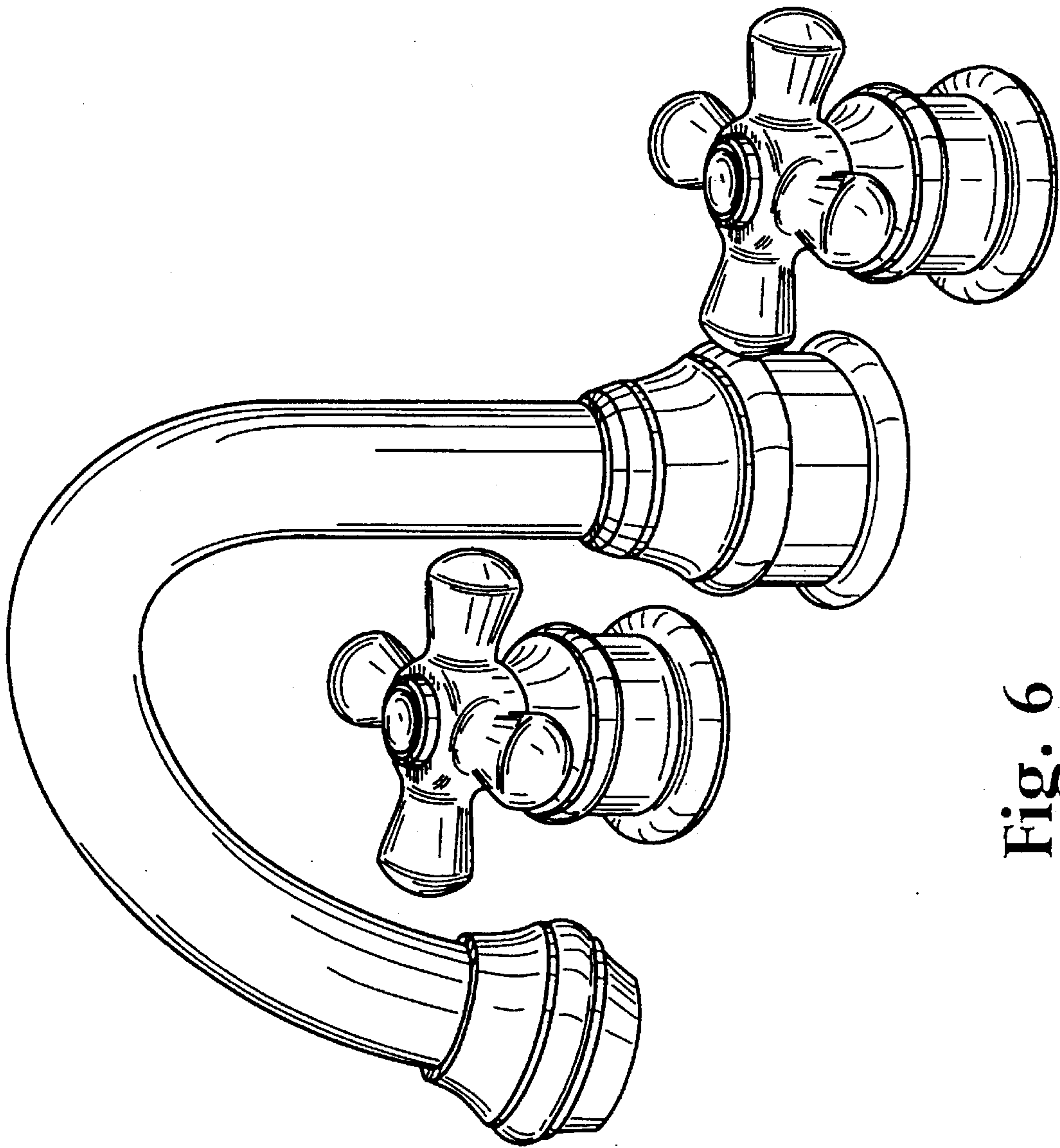


Fig. 6

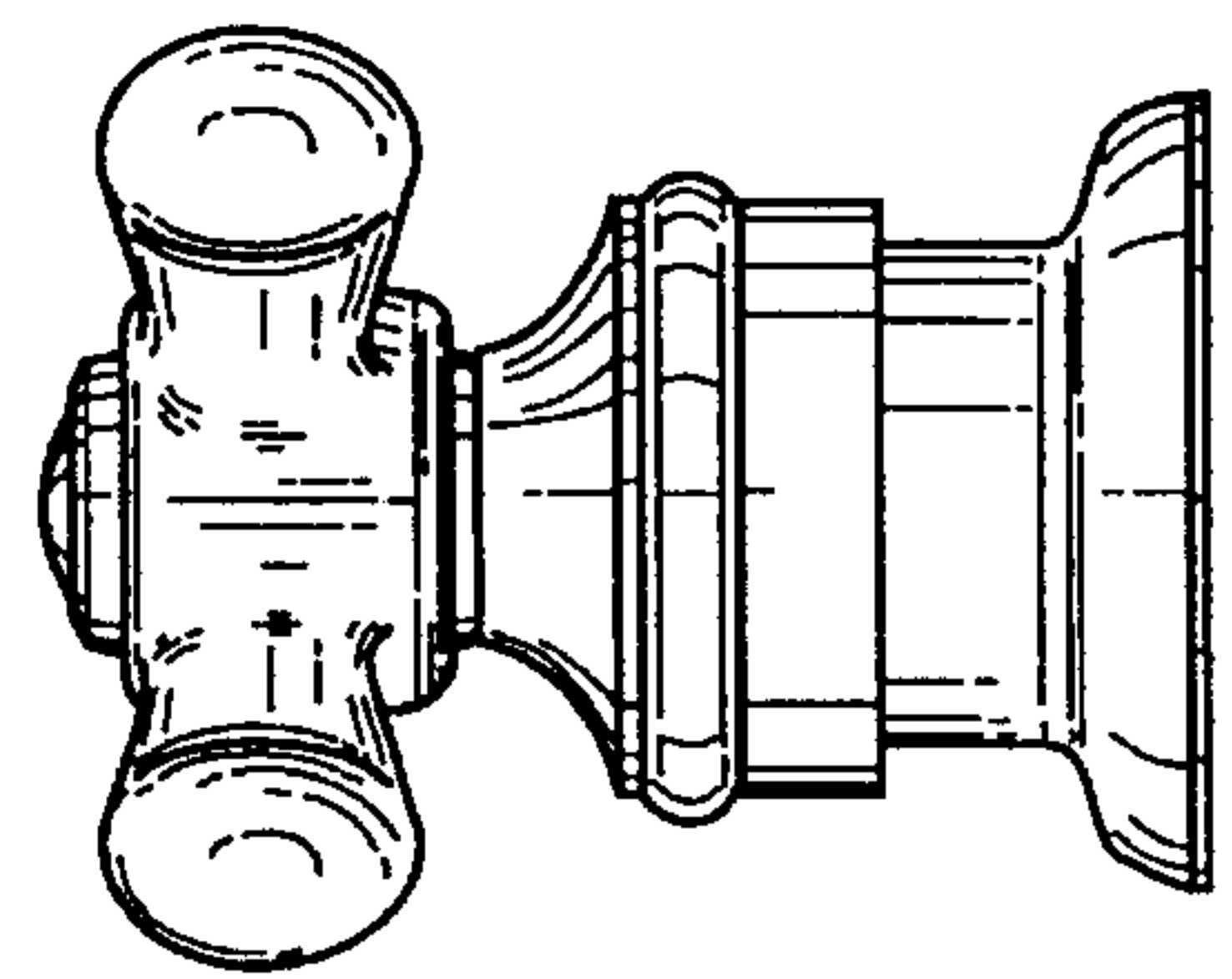
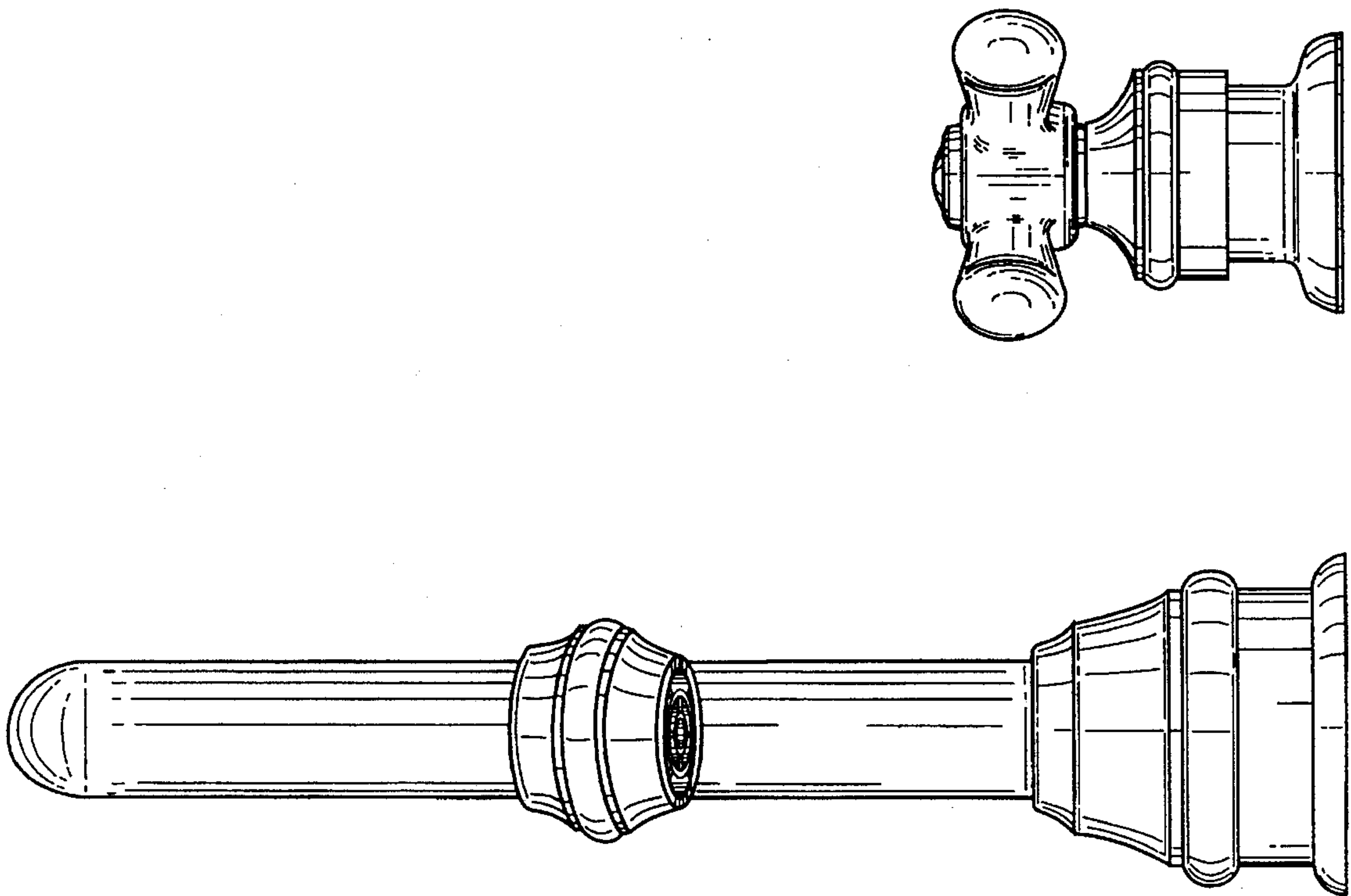
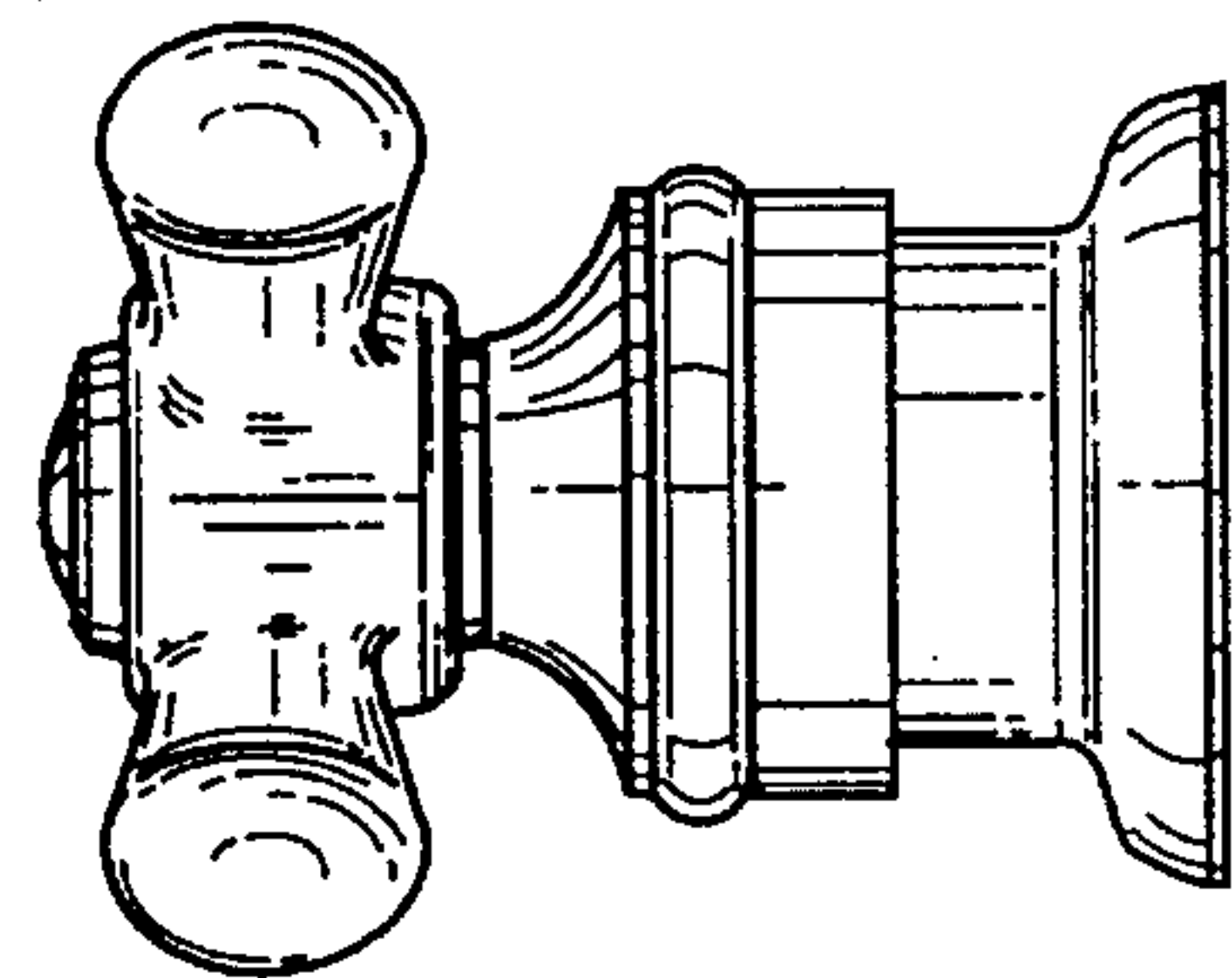


Fig. 7





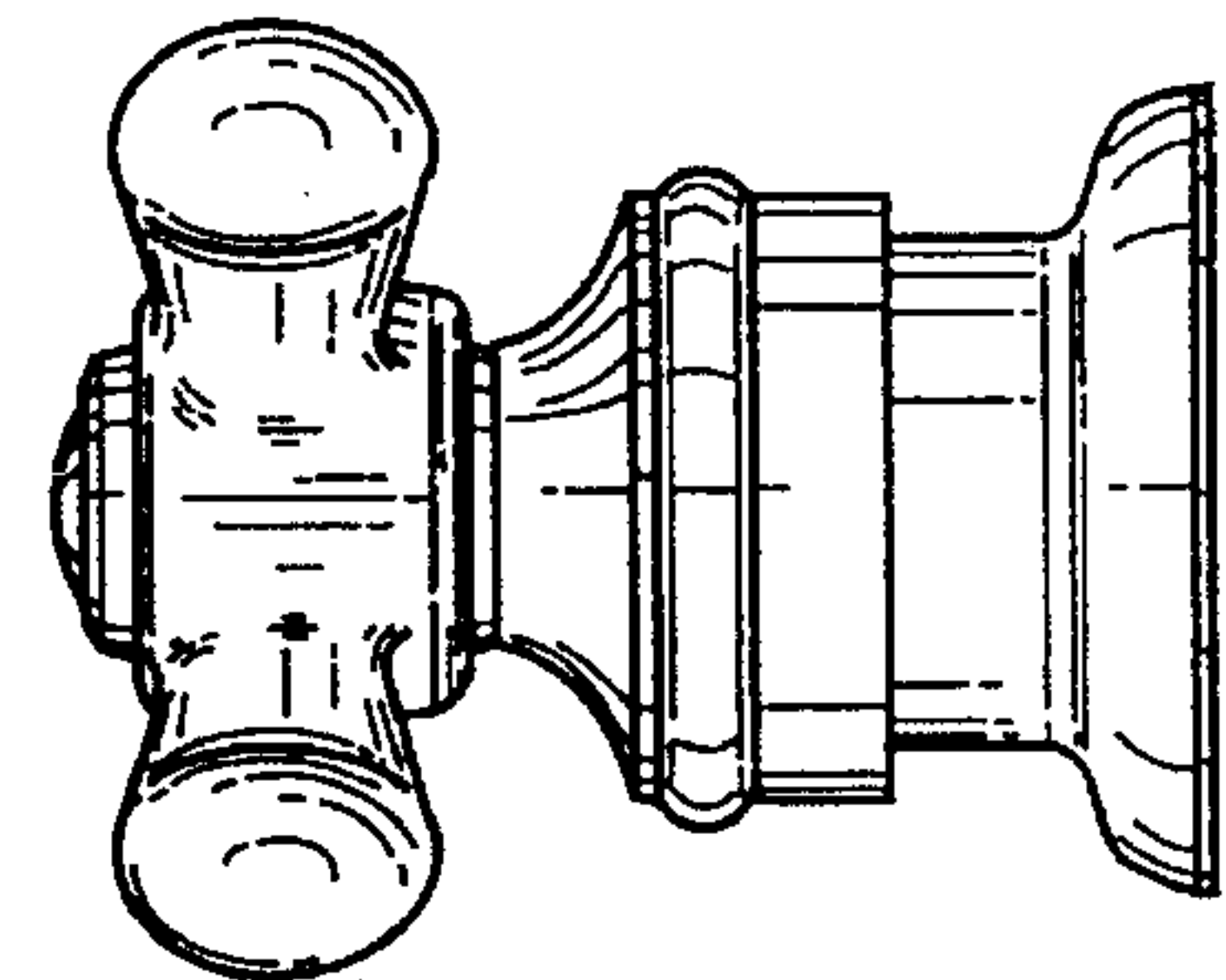
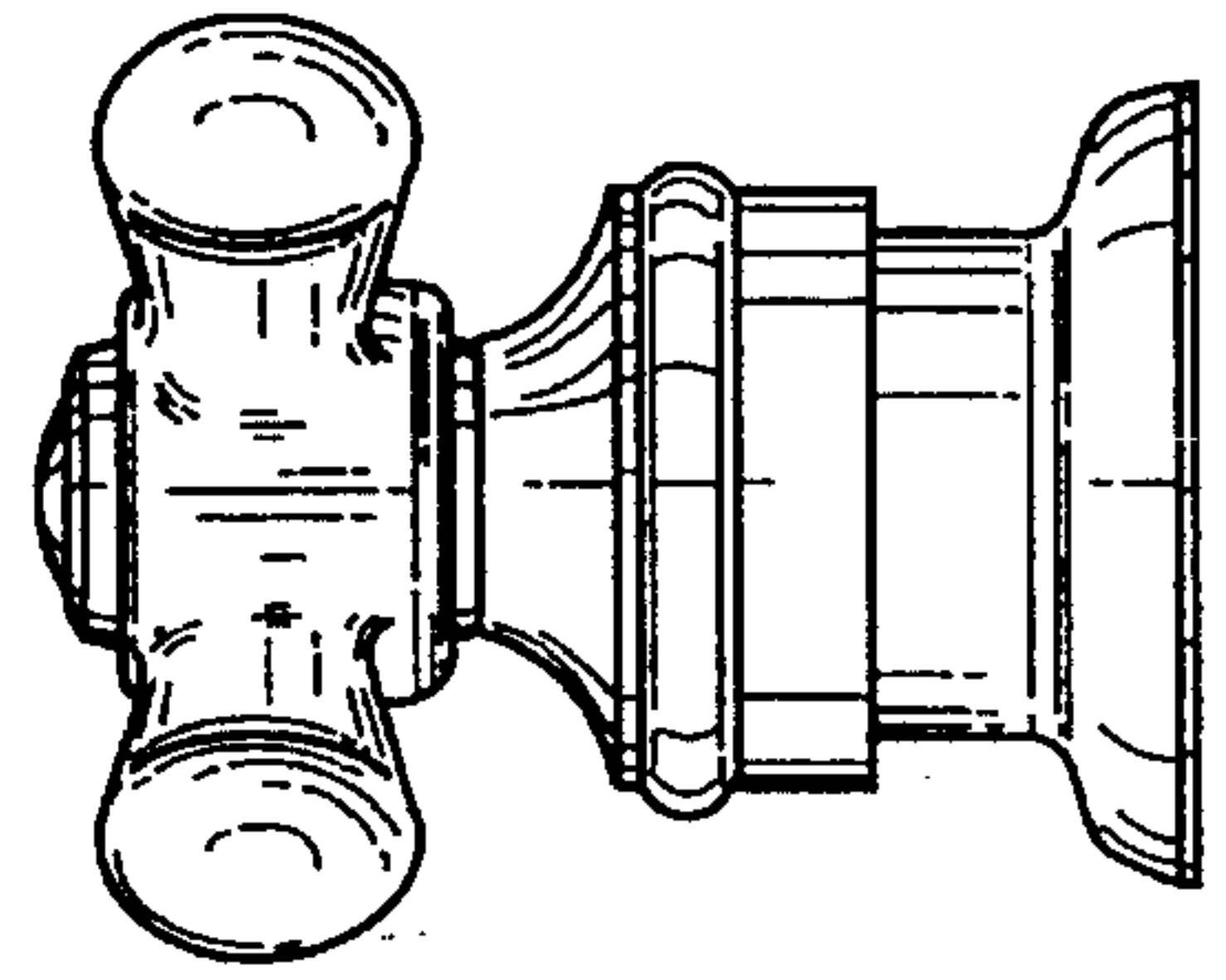
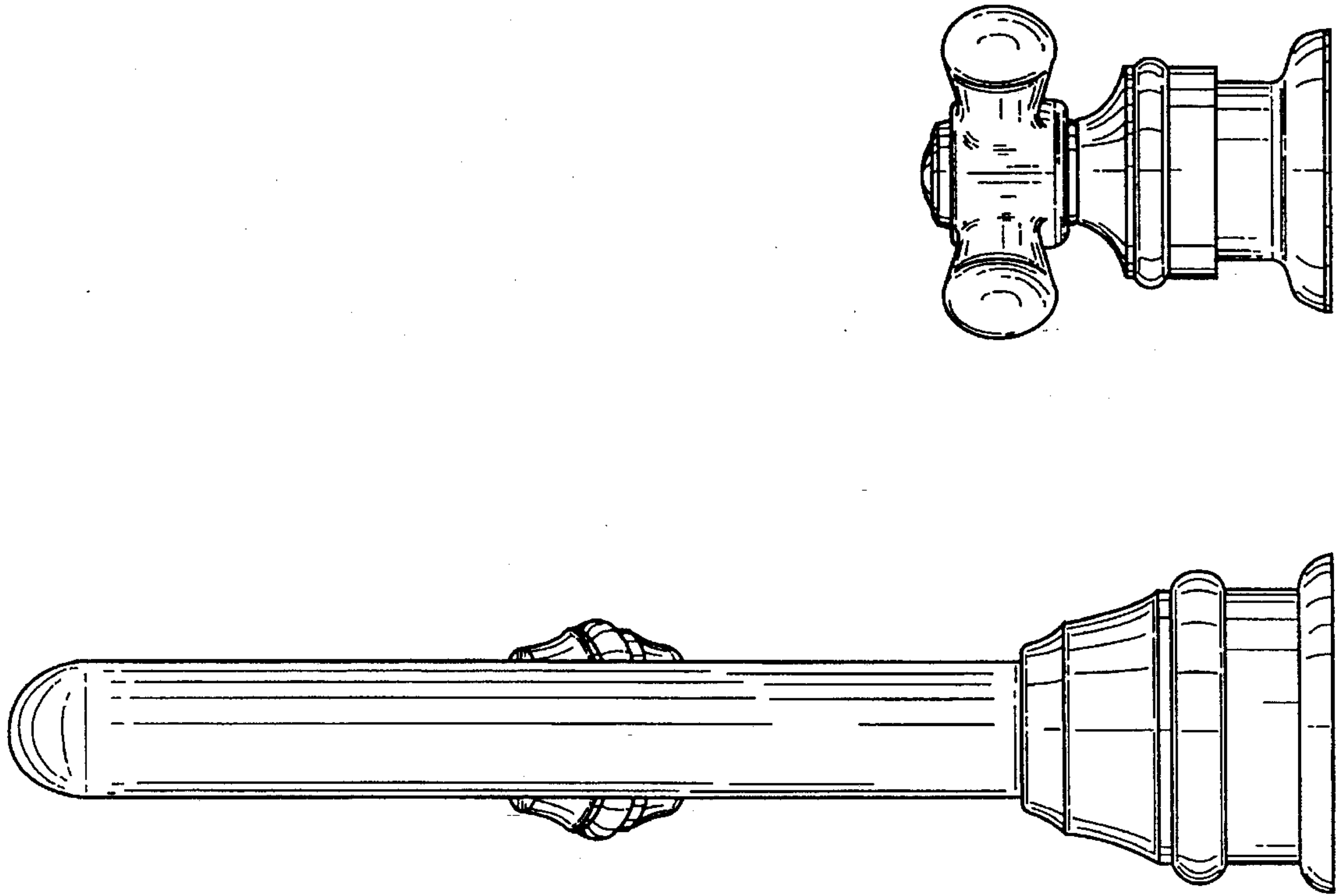


Fig. 8

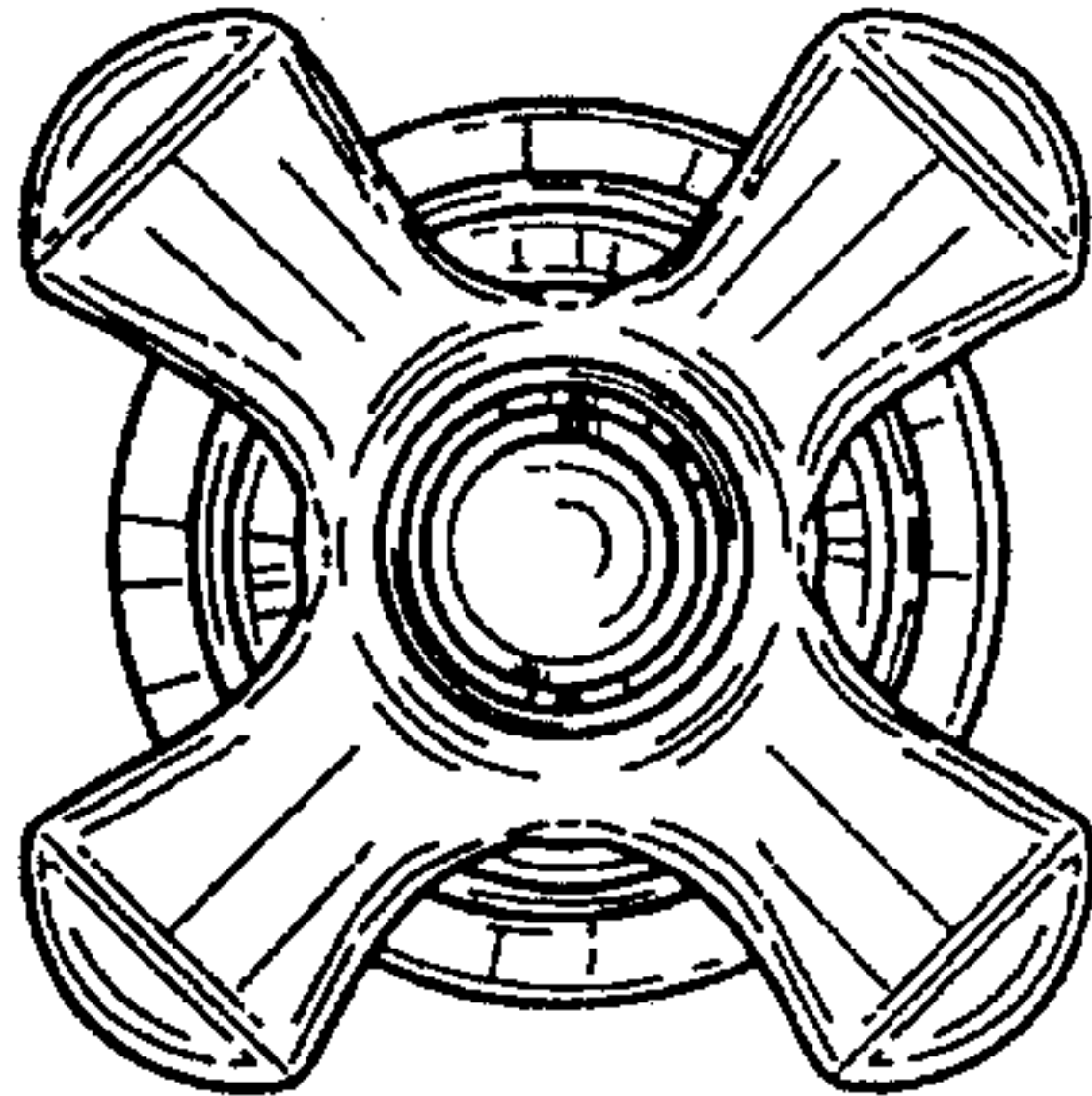
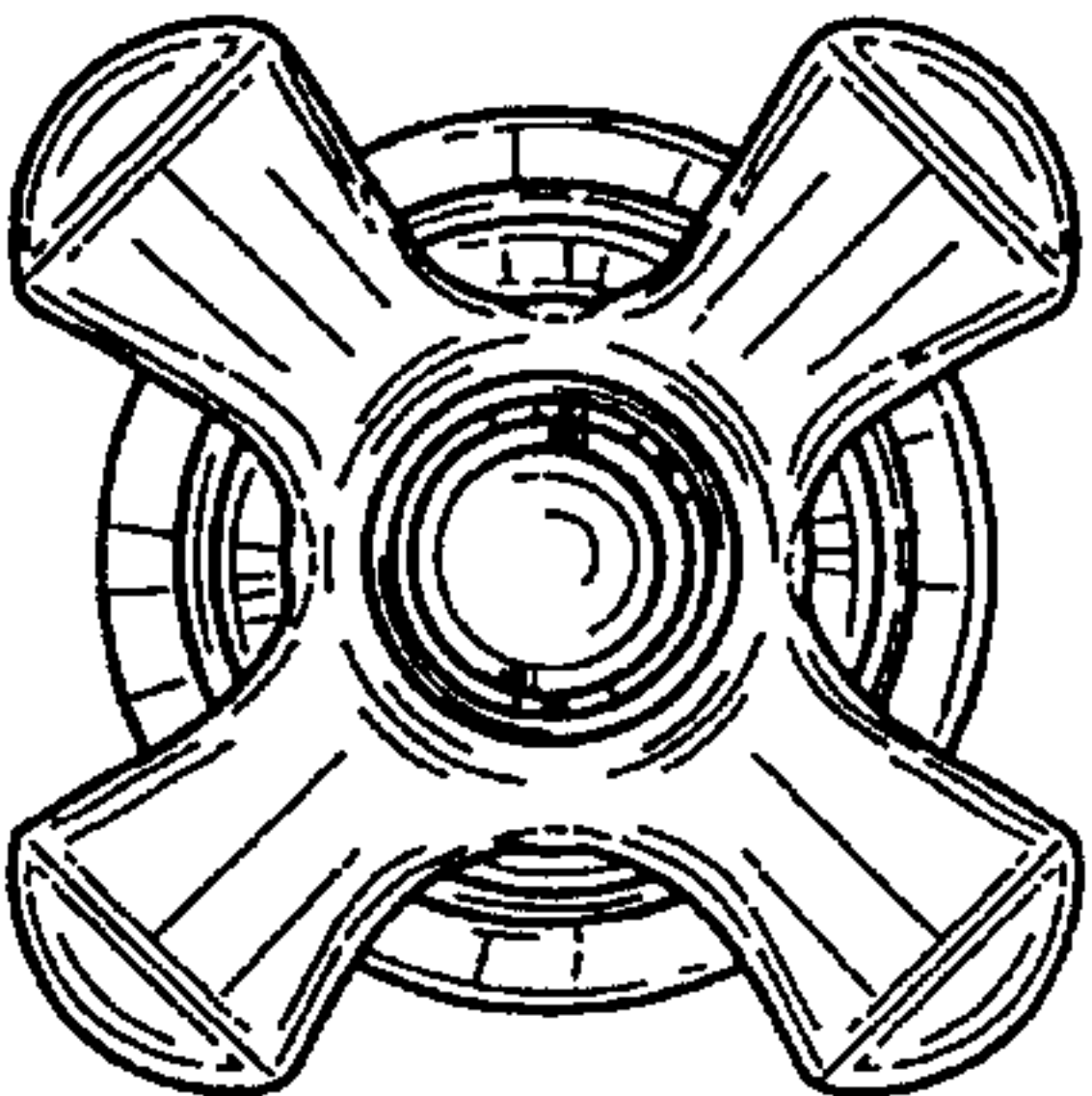
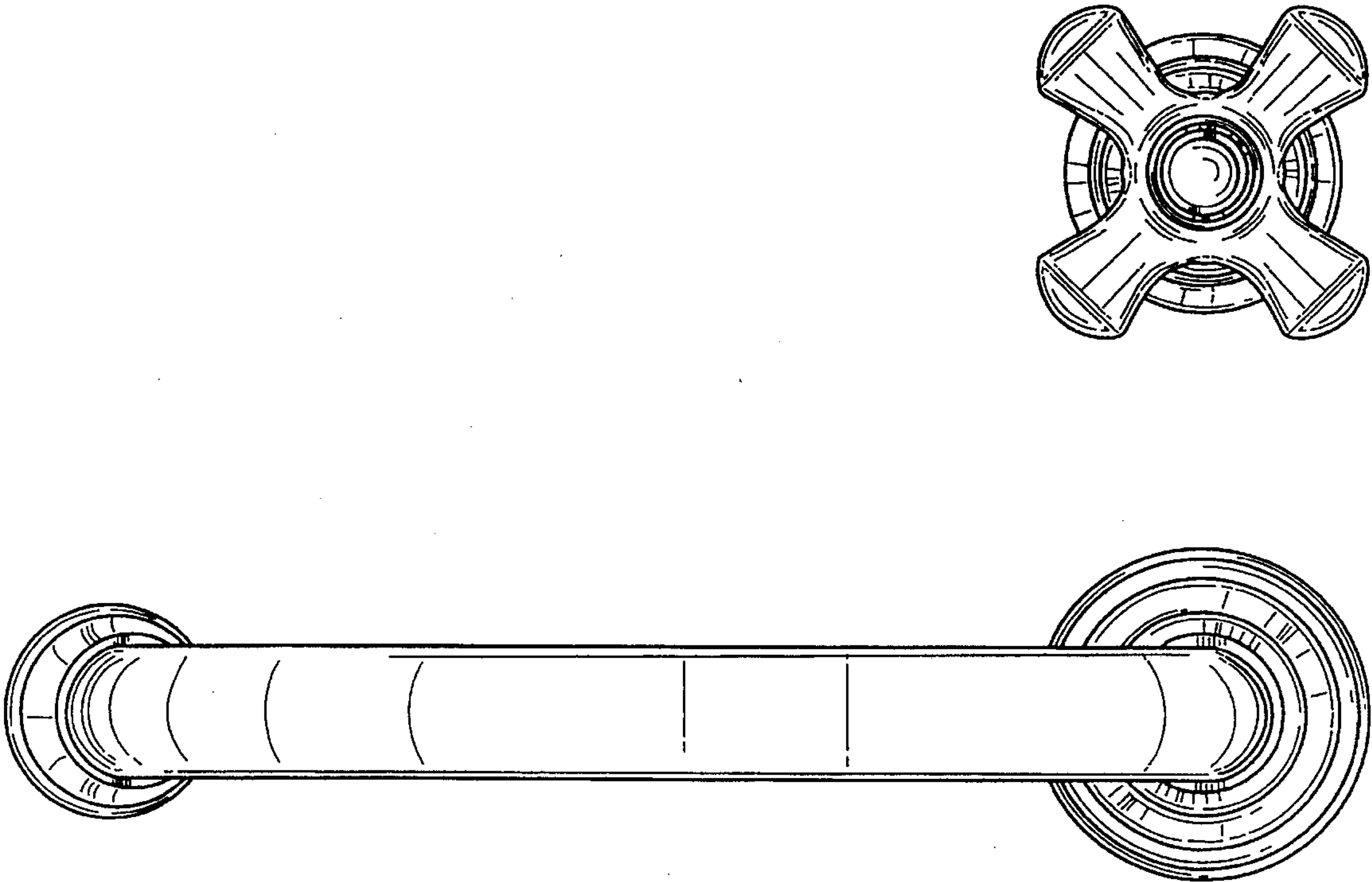


Fig. 9

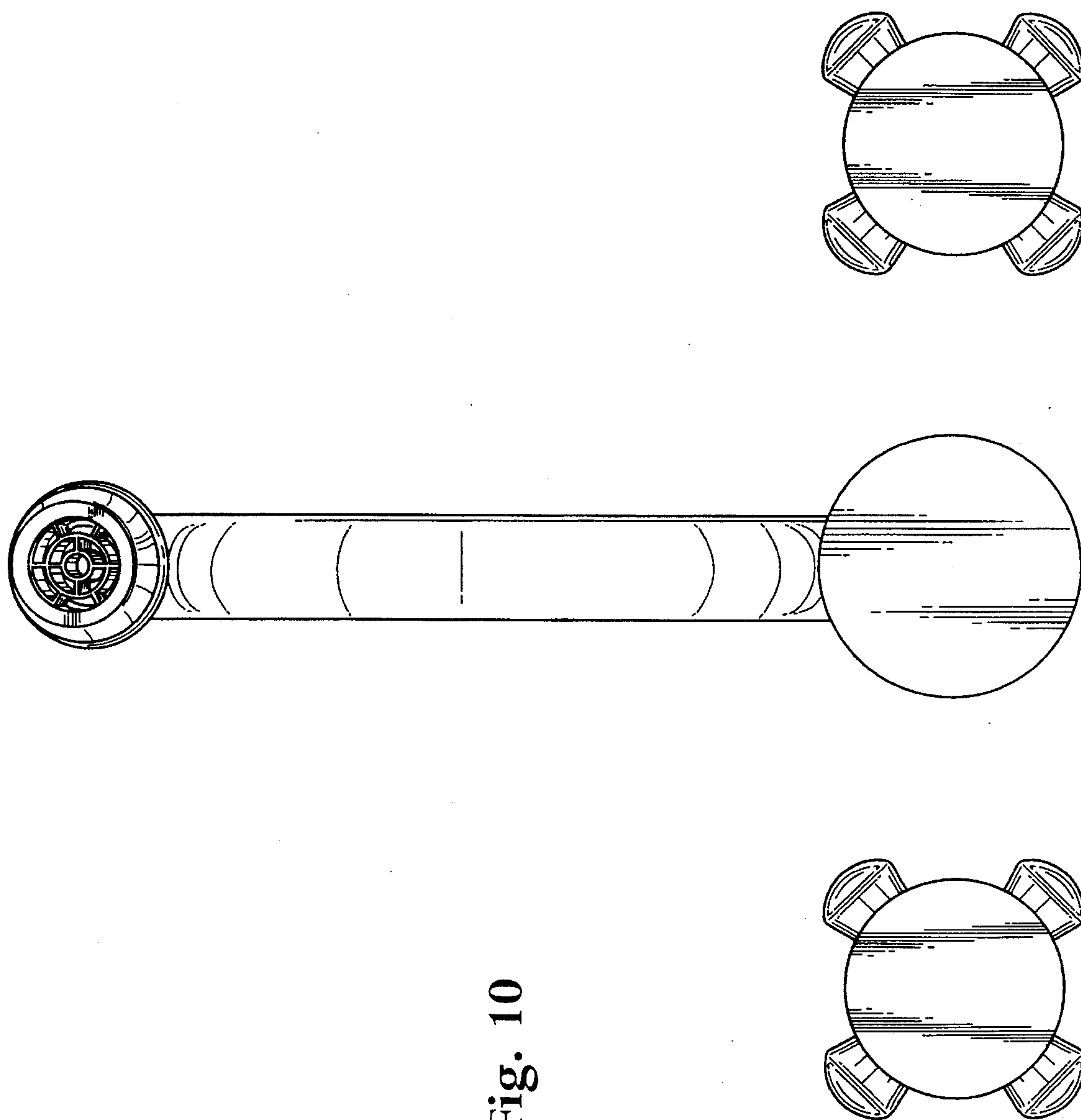


Fig. 10

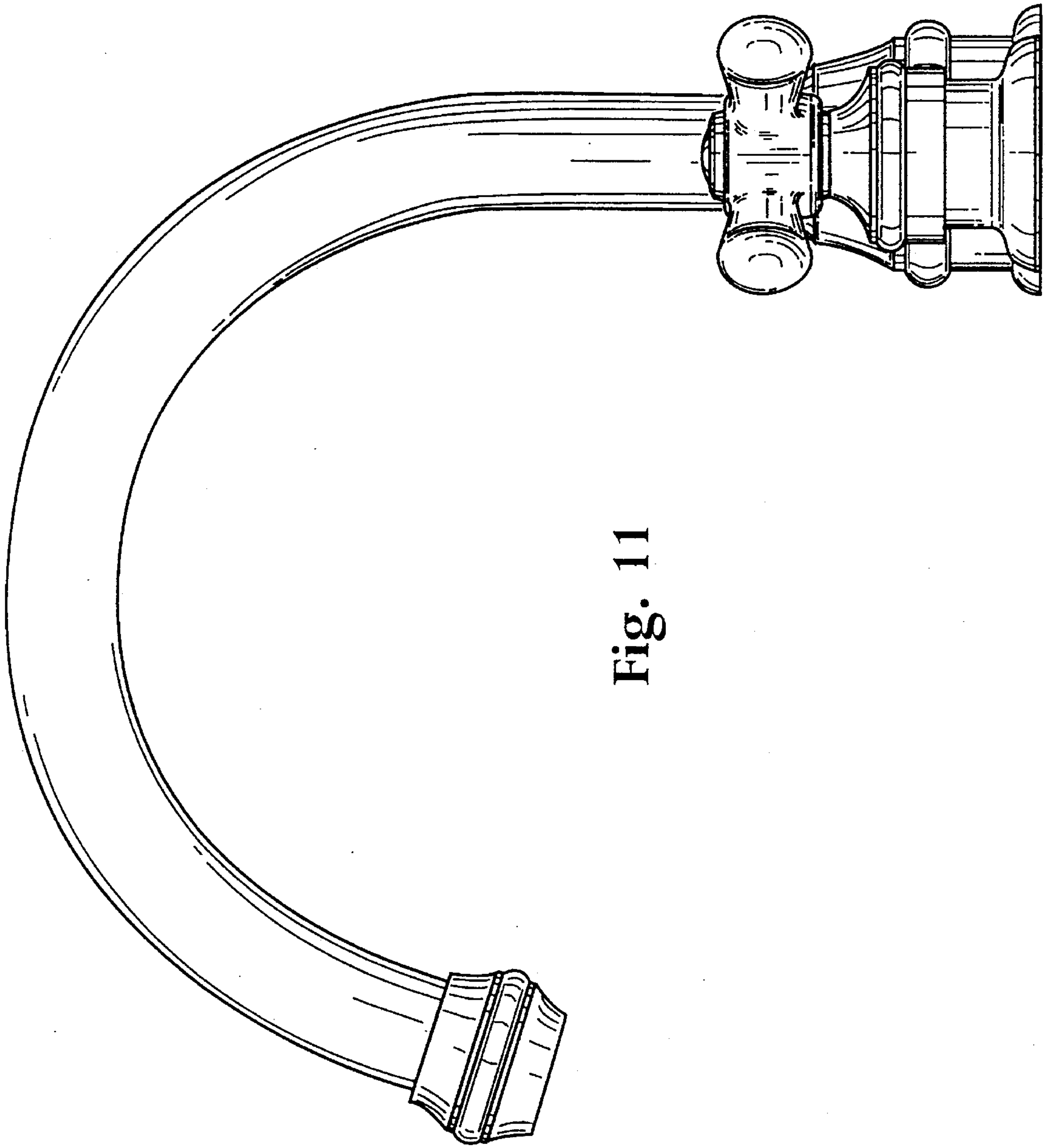


Fig. 11



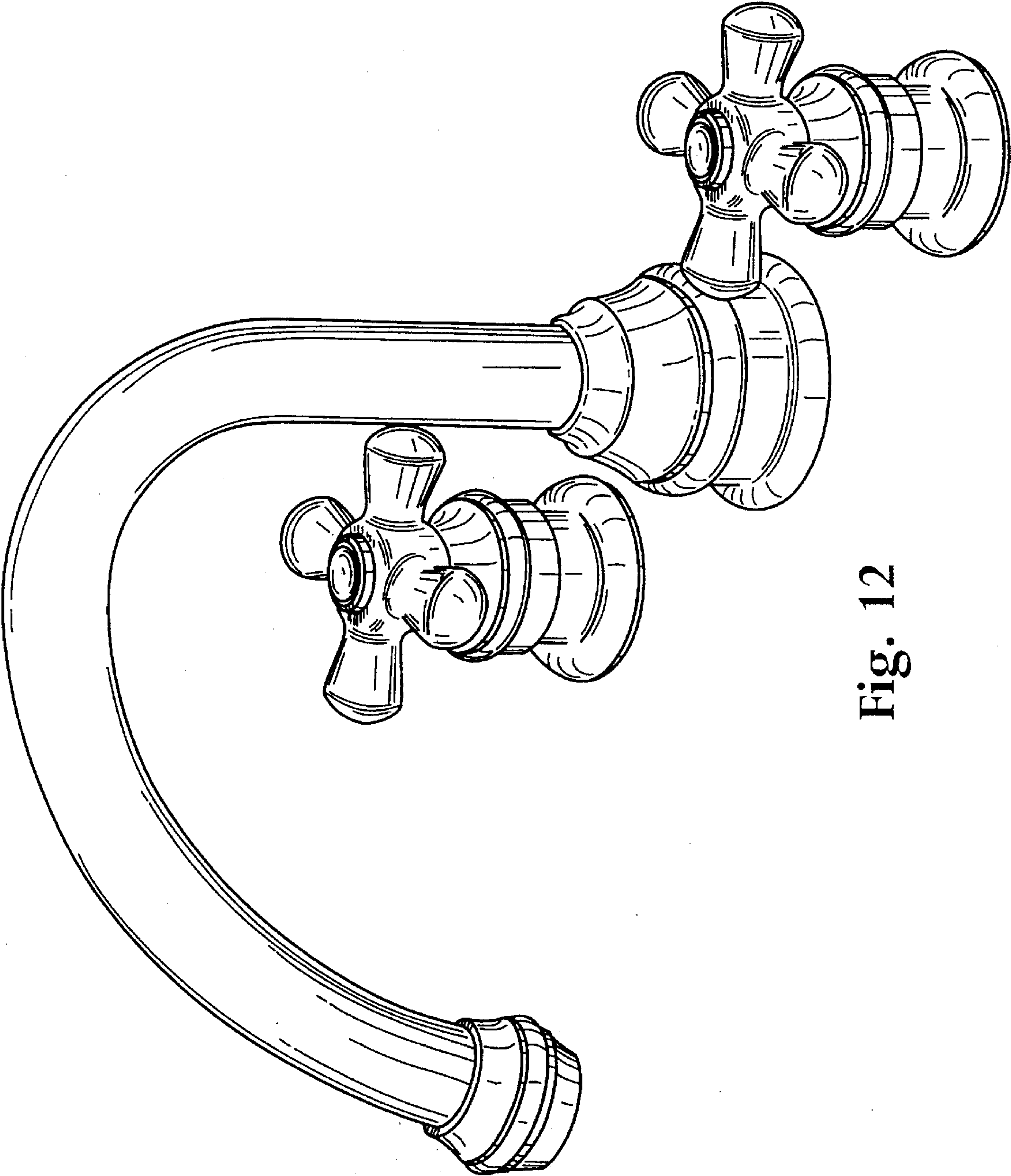


Fig. 12