



US00D375540S

United States Patent [19]

McDonald

[11] Patent Number: **Des. 375,540**

[45] Date of Patent: ****Nov. 12, 1996**

[54] **AERATION UNIT**

[76] Inventor: **Stephen J. McDonald**, 7001 Creek Stone Rd., Milton, Fla. 32570

[**] Term: **14 Years**

[21] Appl. No.: **40,722**

[22] Filed: **Jun. 26, 1995**

[52] U.S. Cl. **D23/207**

[58] Field of Search D23/262, 263, D23/264, 265, 266, 355; 285/120, 150, 156, 179; 210/220, 221.2, 188; 261/76, 77, 123, DIG. 75

2,531,547	11/1950	Ayres	210/220
2,592,574	4/1952	Kaiser .	
3,153,682	10/1964	Walker	210/220
4,021,347	5/1977	Teller et al.	210/220
4,044,079	8/1977	Tveit	261/DIG. 75
4,409,100	10/1983	Rajendren	210/219

Primary Examiner—Susan J. Lucas
Assistant Examiner—Cynthia E. Ramirez
Attorney, Agent, or Firm—George A. Bode

[57] CLAIM

The ornamental design for an aeration unit, as shown and described.

DESCRIPTION

FIG. 1 is a front elevational view of an aeration unit showing my new design, the rear being a mirror image of that shown; FIG. 2 is a top plan view thereof; FIG. 3 is a bottom plan view thereof; and, FIG. 4 is a right side elevational view thereof, the left side being a mirror image of that shown.

[56] References Cited

U.S. PATENT DOCUMENTS

D. 240,131	6/1976	Dwyer	D23/263
D. 320,838	10/1991	Carlson	D23/207
1,326,078	12/1919	Matthews .	
1,929,434	10/1933	Kocher .	
2,328,655	9/1943	Lannert	210/220
2,521,474	9/1950	Morgan	210/220

1 Claim, 1 Drawing Sheet

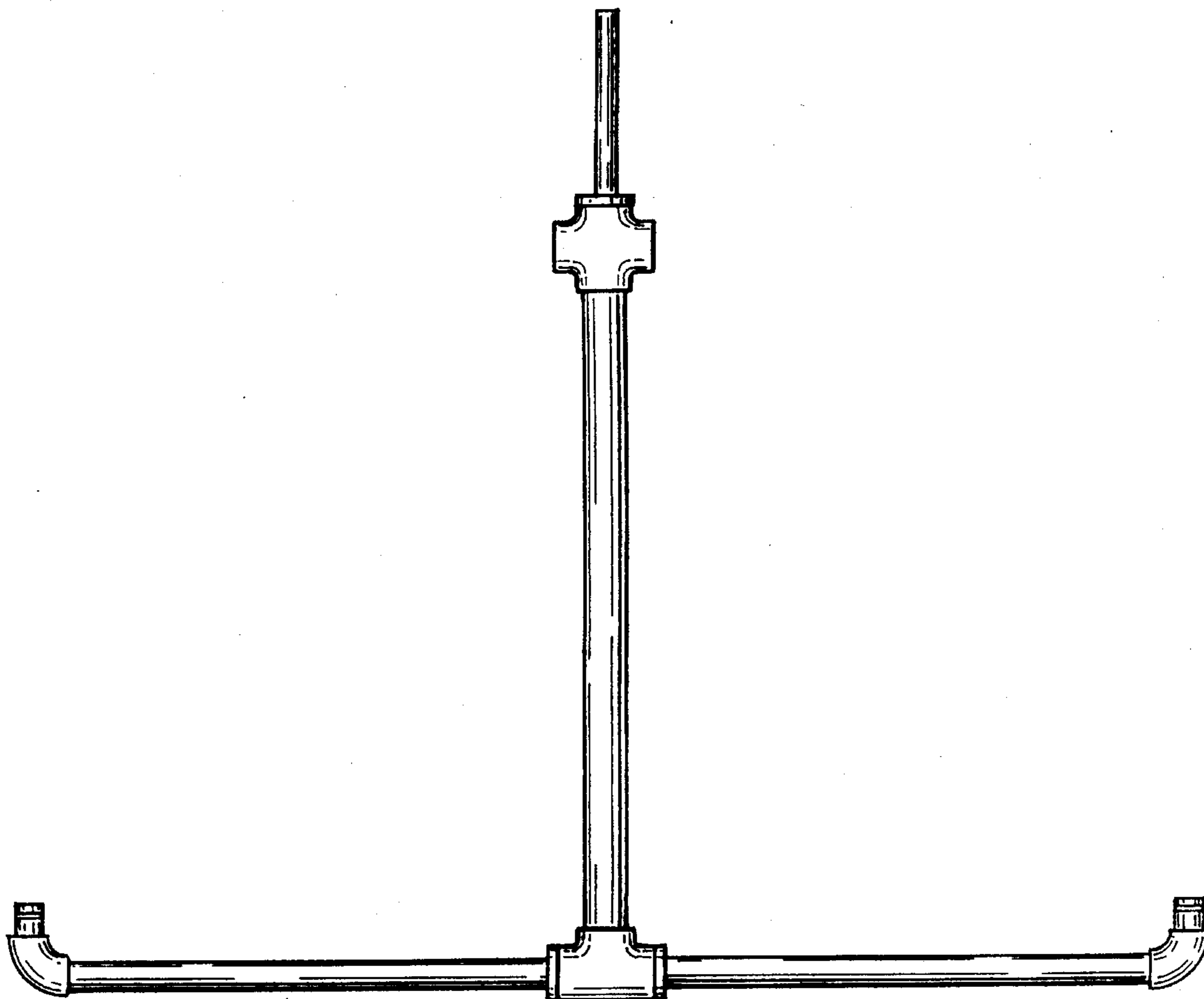




FIG. 2

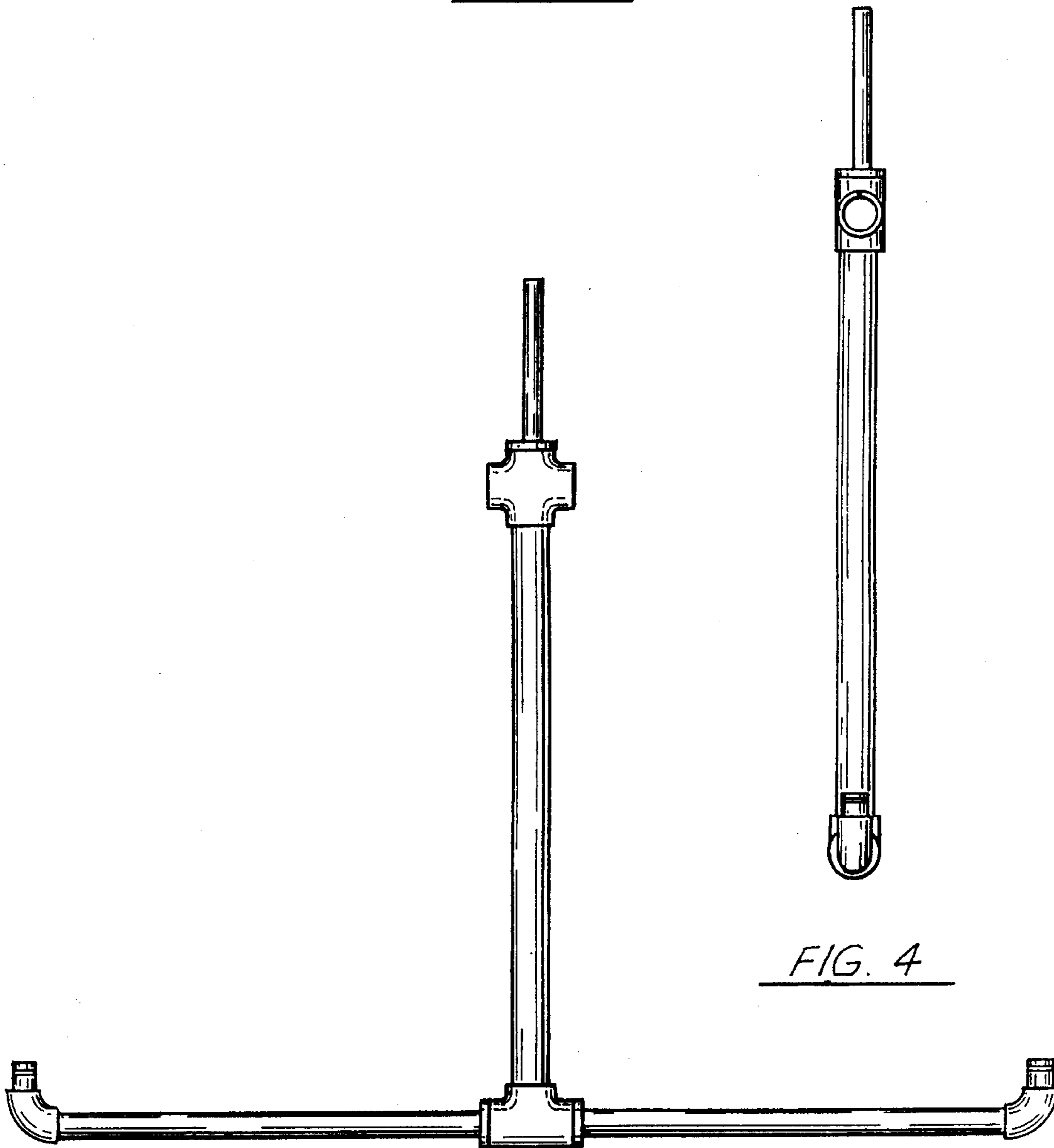


FIG. 1

FIG. 4



FIG. 3