



US00D375537S

# United States Patent [19]

[11] Patent Number: **Des. 375,537**

**Lenihan**

[45] Date of Patent: **\*\*Nov. 12, 1996**

## [54] CLIMBING PLAY STRUCTURE

[75] Inventor: **Gary G. Lenihan**, East Aurora, N.Y.

[73] Assignee: **Fisher-Price, Inc.**, East Aurora, N.Y.

[\*\*] Term: **14 Years**

[21] Appl. No.: **42,831**

[22] Filed: **Aug. 18, 1995**

[52] U.S. Cl. .... **D21/245**

[58] Field of Search ..... **D21/240-245;**  
**472/116, 117, 136; 482/35, 36**

Flexible Flyer: "Climbasaurus Activity Center", p. 3.

Flexible Flyer: "Playtime Choo-Choo Activity Center", p. 3.

Today's Kids: Better Toys by Design, 1994, "Toddler Play-ground", p. 5.

*Primary Examiner*—Ted Shooman

*Assistant Examiner*—Mitchell I. Siegel

*Attorney, Agent, or Firm*—Howrey & Simon; C. Scott Talbot; Jennifer M. Hall

## [57] CLAIM

The ornamental design for a climbing play structure, as shown and described.

## [56] References Cited

### U.S. PATENT DOCUMENTS

D. 207,105	3/1967	Gale	.....	D34/5
D. 217,486	5/1970	McHugh	.....	D21/243
D. 294,378	2/1988	Spirk, Jr. et al.	.....	D21/244
D. 315,186	3/1991	Peterson	.....	D21/244 X
D. 334,610	4/1993	Aker	.....	D21/244
D. 340,101	10/1993	Ingold et al.	.....	D21/244
3,561,757	2/1971	Schillig	.....	272/60
4,369,965	1/1983	Ahrens	.....	272/56.5 R
5,334,098	8/1994	Pope et al.	.....	472/116
5,372,550	12/1994	Gleeson et al.	.....	472/116
5,387,165	2/1995	Warren	.....	482/35

### OTHER PUBLICATIONS

Step Two: A Step Beyond, 1994, "First Climber", p. 4.

Step Two: A Step Beyond, 1994, "Combo Climber", p. 5.

Step Two: A Step Beyond, 1994, "Mushroom Climber", p. 28.

## DESCRIPTION

FIG. 1 is a right perspective view of a climbing play structure showing my new design;

FIG. 2 is a front elevation view thereof;

FIG. 3 is a rear elevation view thereof;

FIG. 4 is a right side elevation view thereof;

FIG. 5 is a left side elevation view thereof;

FIG. 6 is a top plan view thereof; and,

FIG. 7 is a bottom plan view thereof.

1 Claim, 3 Drawing Sheets

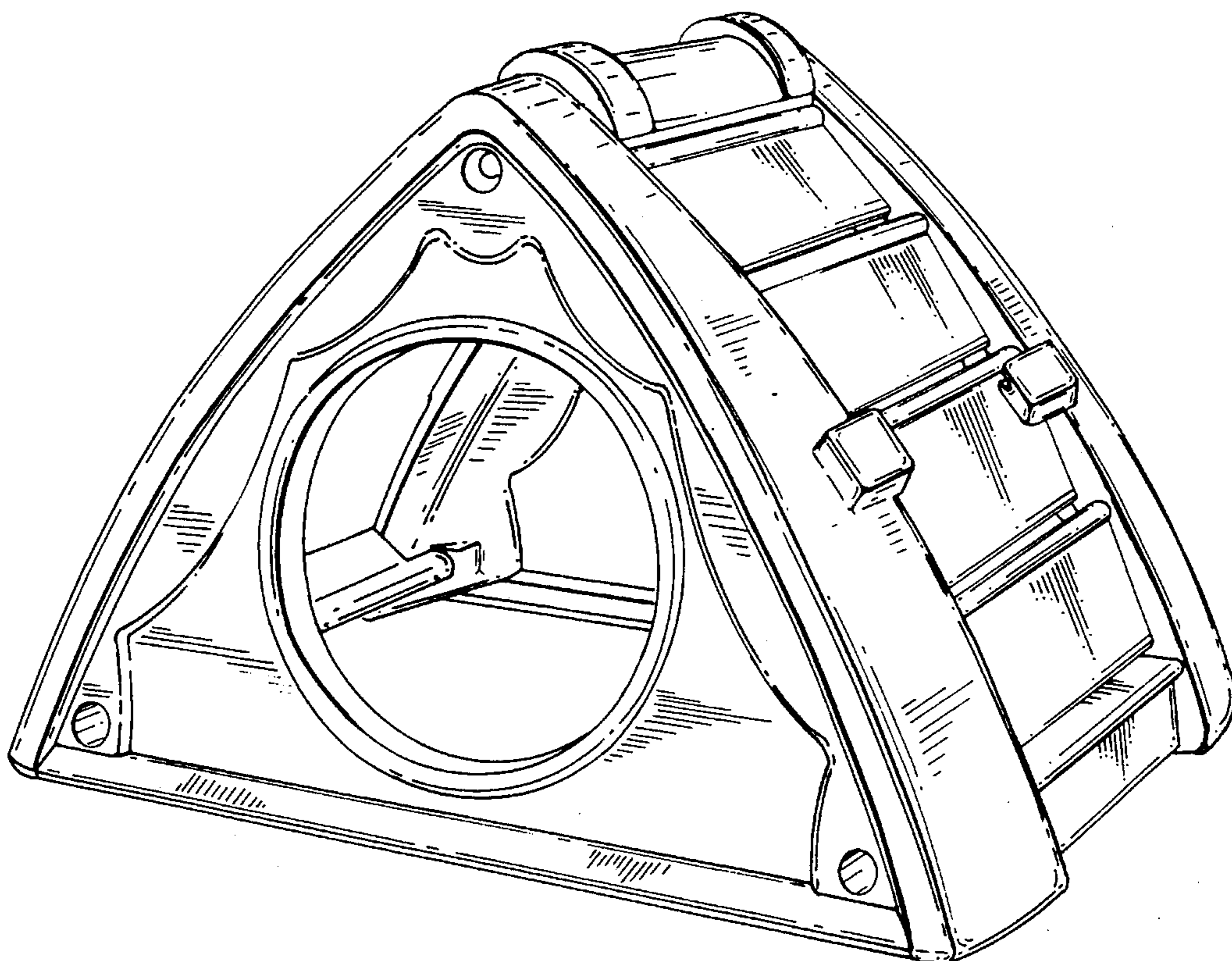
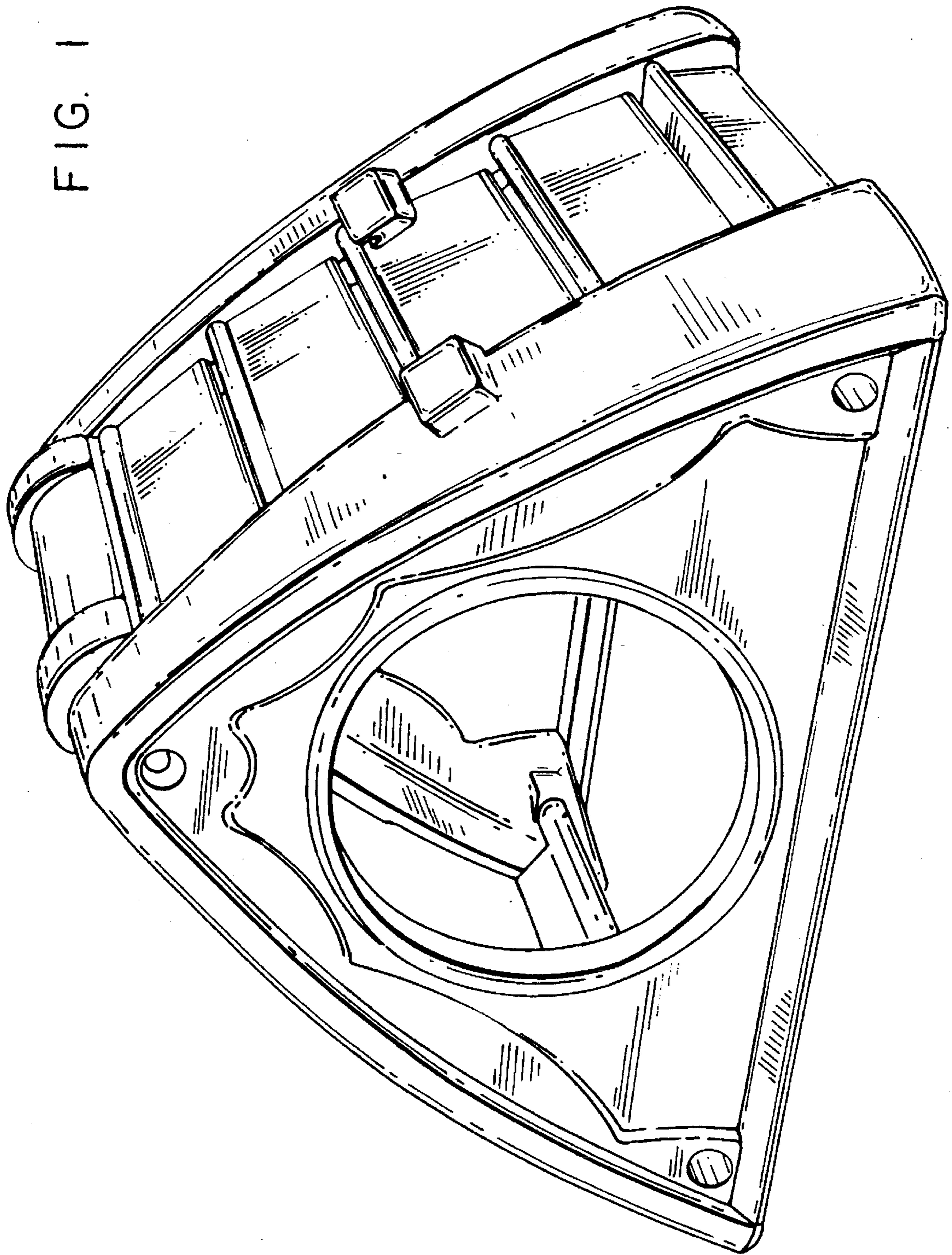


FIG. 1



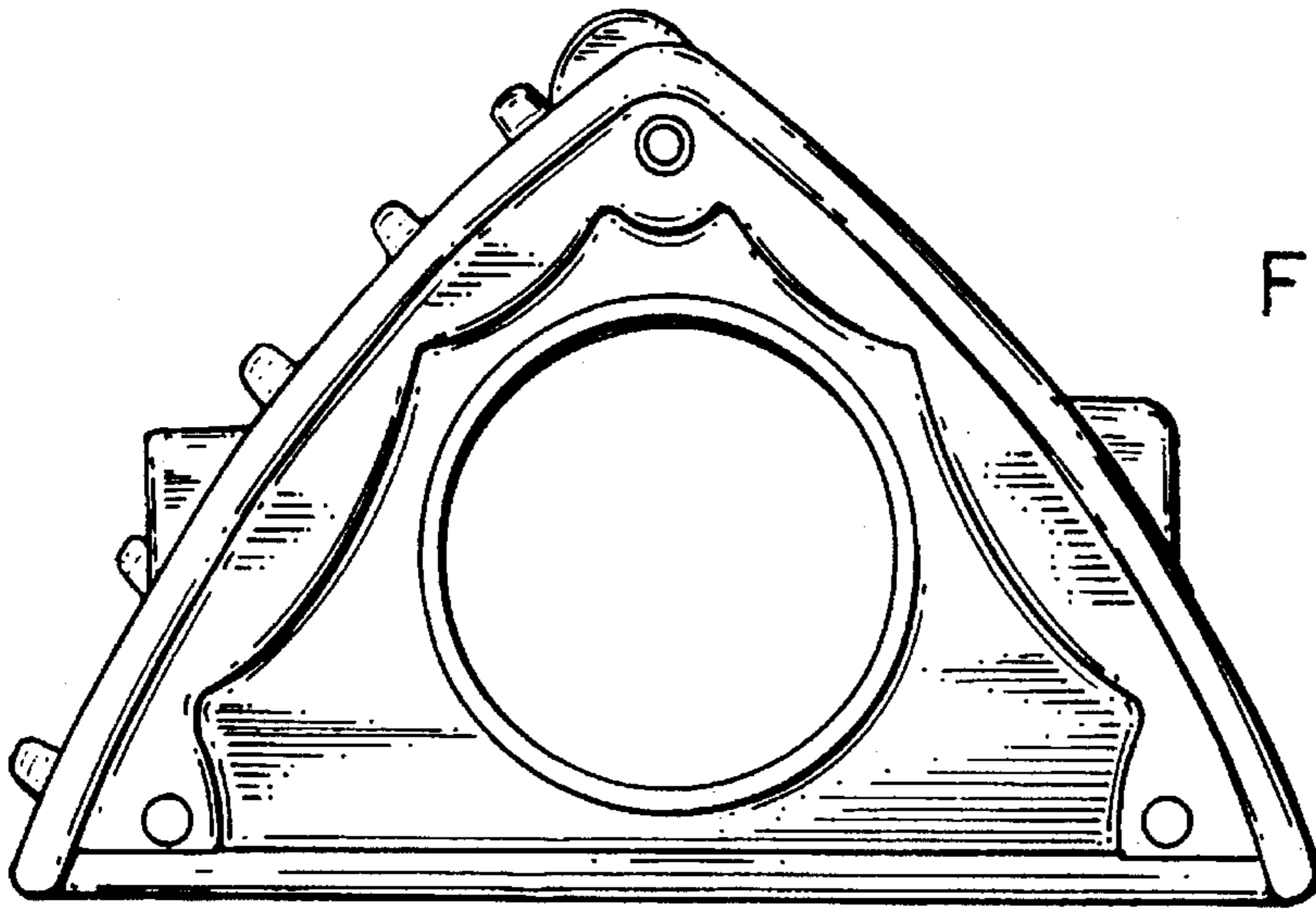


FIG. 2

FIG. 3

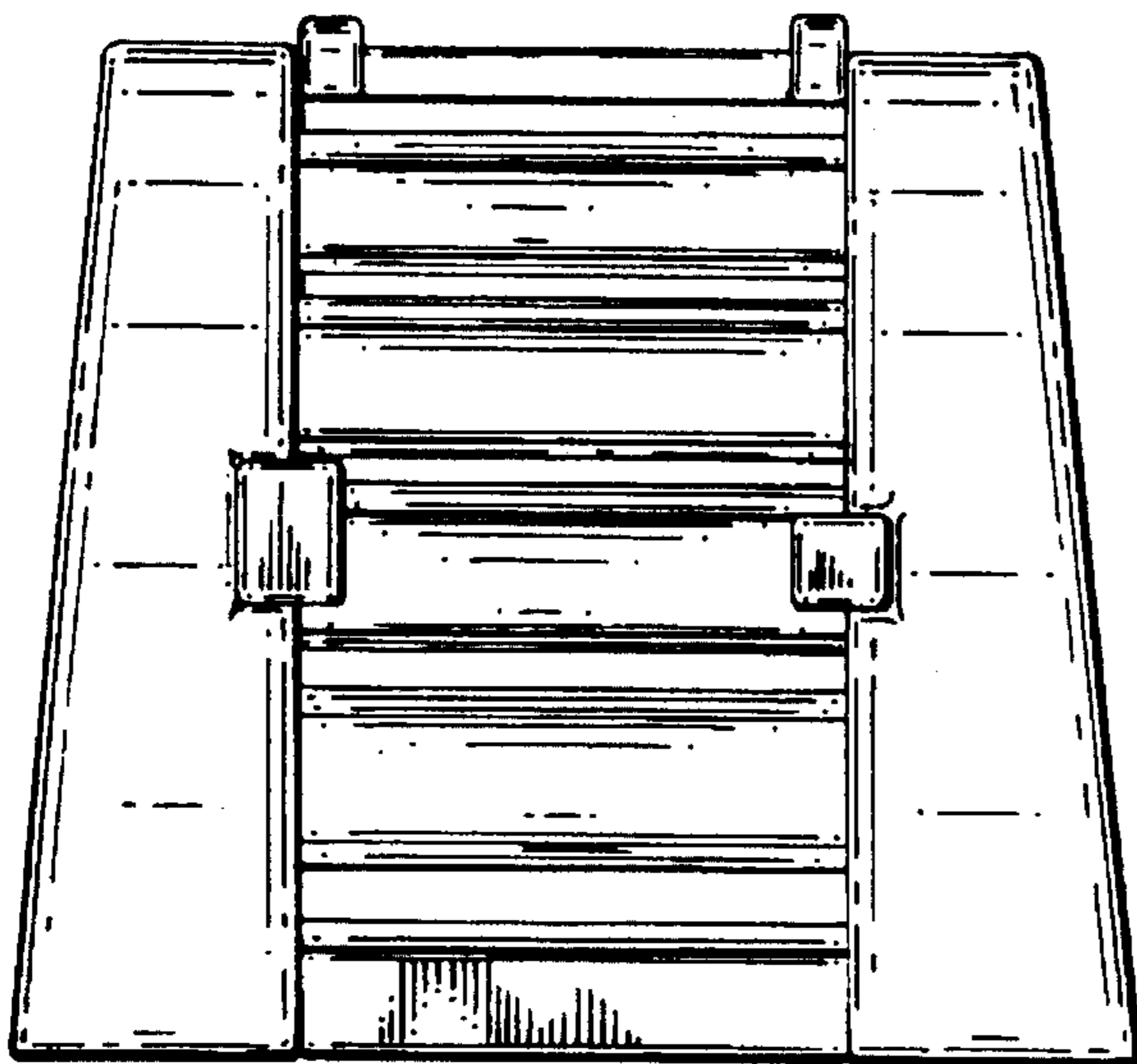
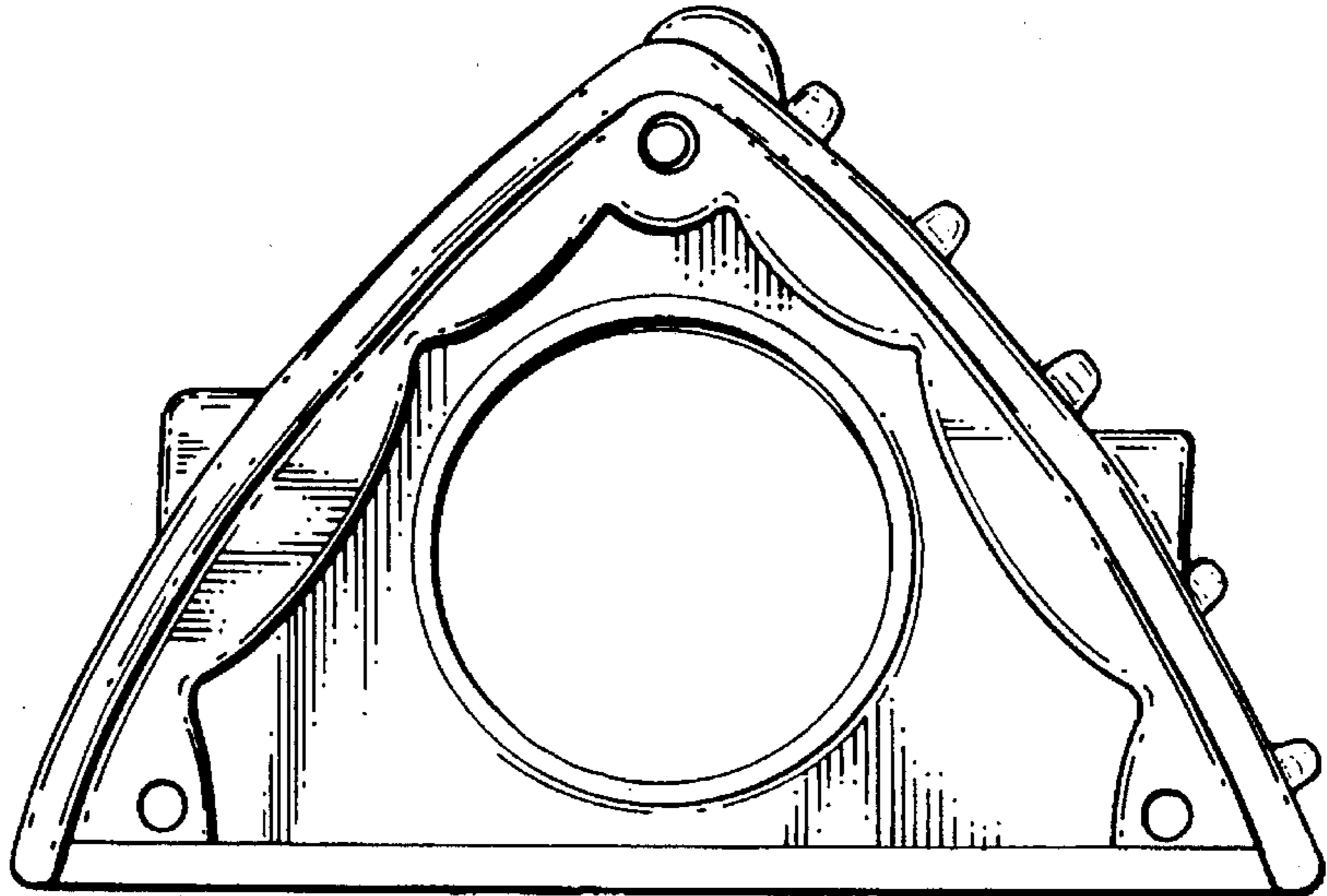


FIG. 4

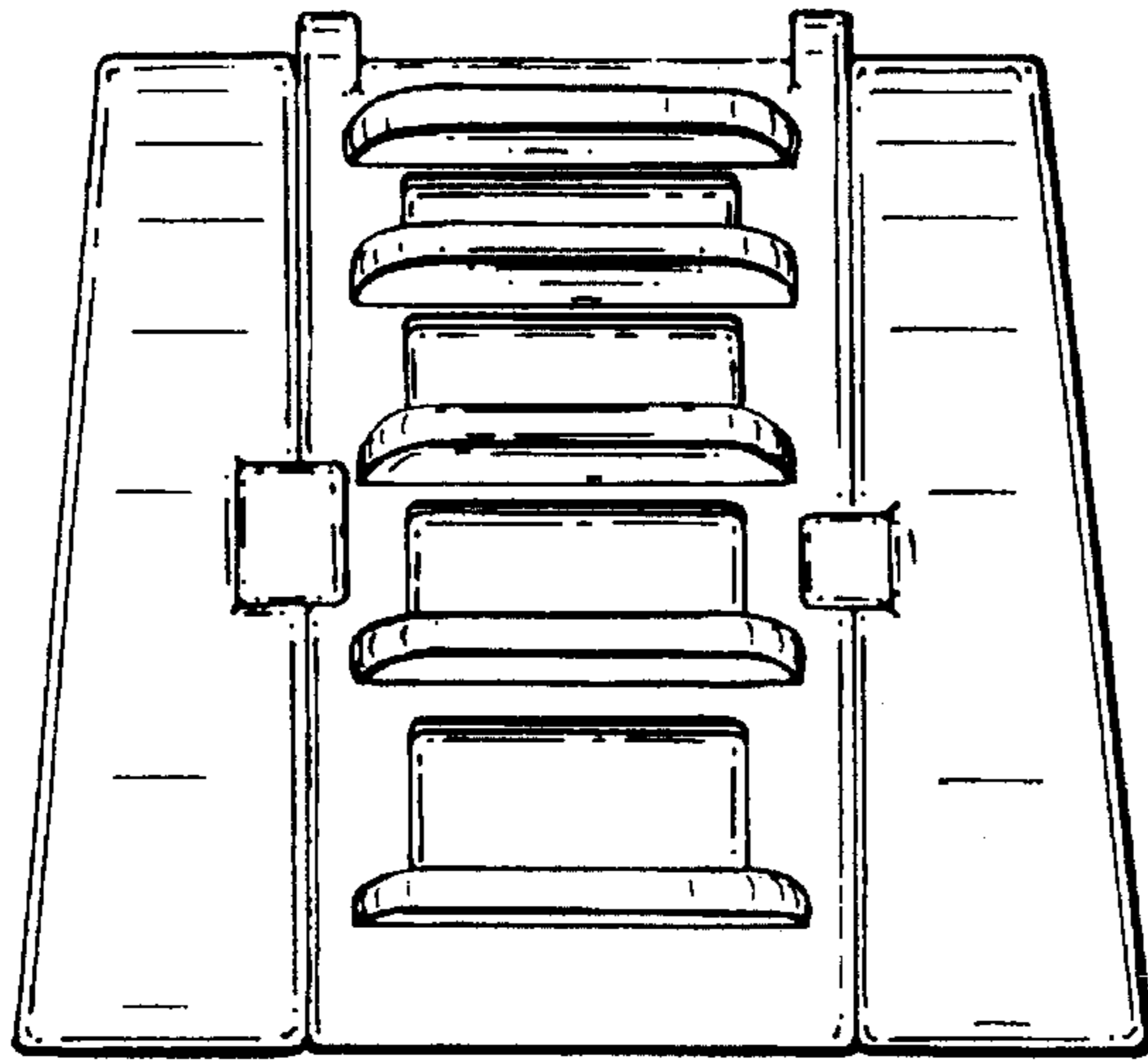


FIG. 5

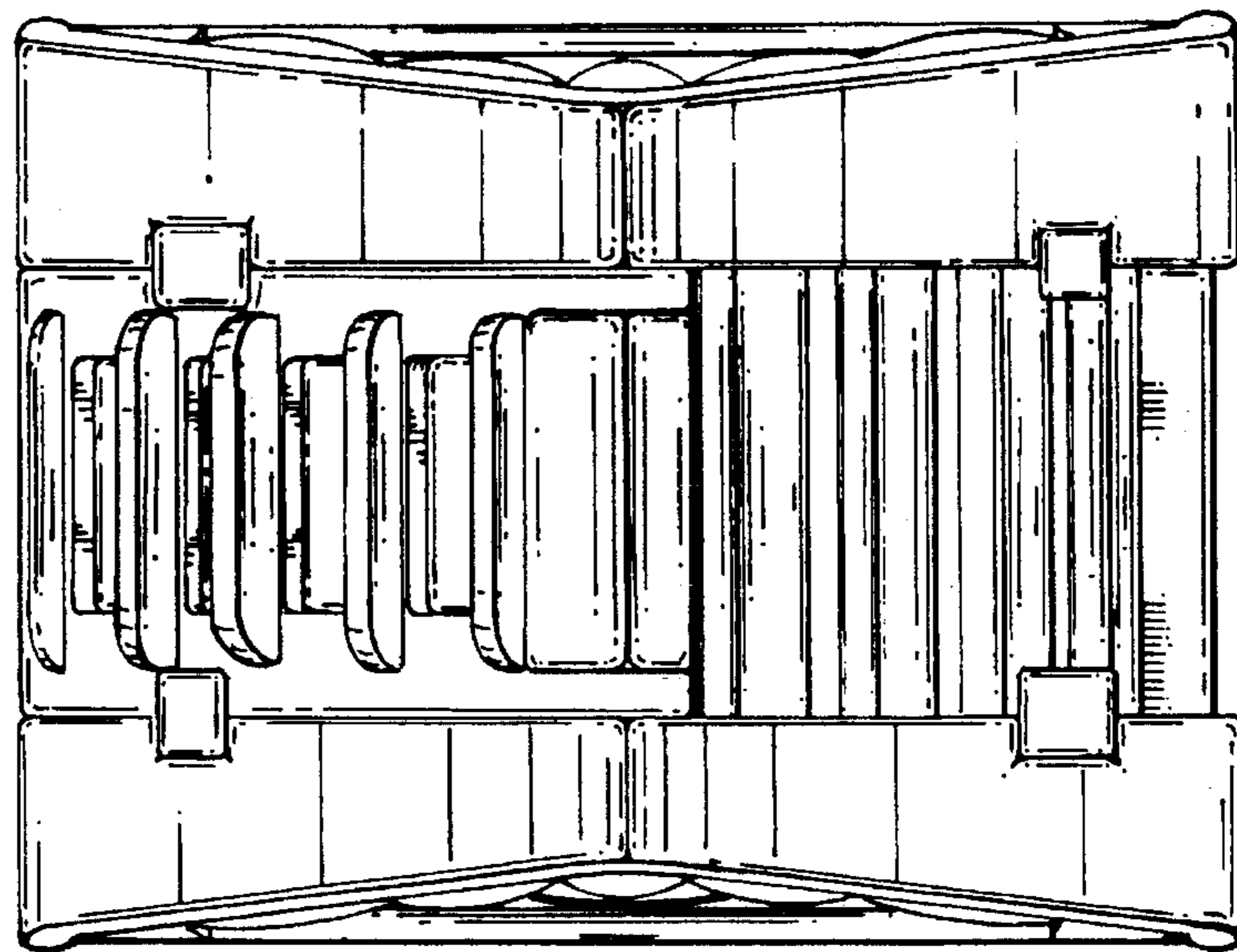


FIG. 6

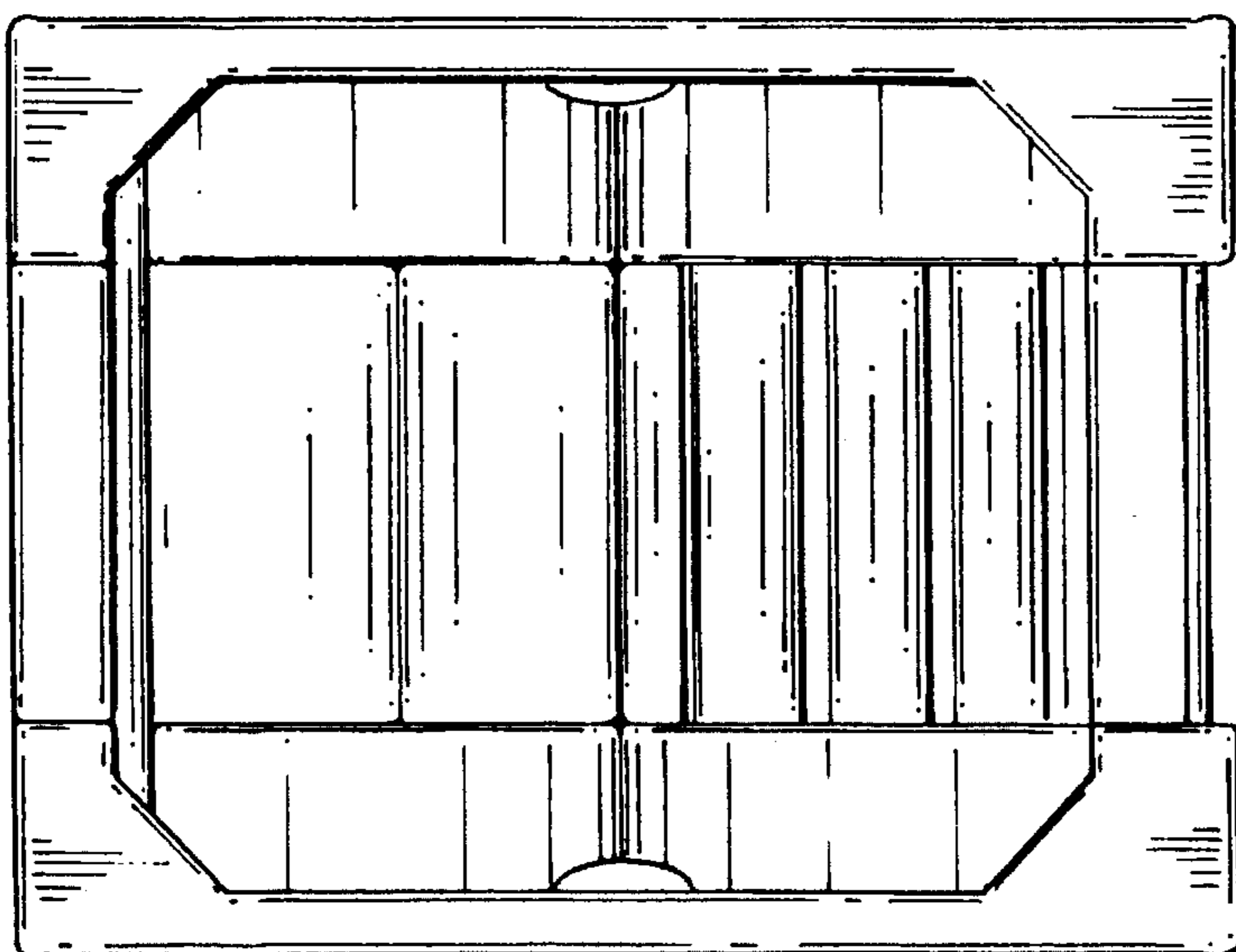


FIG. 7