



US00D375534S

United States Patent [19]
Lin

[11] **Patent Number: Des. 375,534**

[45] **Date of Patent: **Nov. 12, 1996**

[54] **EXERCISER**

5,429,568 7/1995 Chen 482/57

[76] **Inventor: Paul Lin**, No. 26, Lane 234, Yang Hu Road, Sec. 1, Yangmei Chen, Taoyuan, Taiwan

Primary Examiner—Philip S. Hyder
Attorney, Agent, or Firm—Beveridge, DeGrandi, Weilacher & Young, L.L.P.

[**] **Term: 14 Years**

[57] **CLAIM**

The ornamental design for a exerciser, as shown.

[21] **Appl. No.: 41,374**

DESCRIPTION

[22] **Filed: Jul. 12, 1995**

[52] **U.S. Cl. D21/195**

[58] **Field of Search** D21/191, 195,
D21/194; 482/51, 72, 57, 71, 95, 111

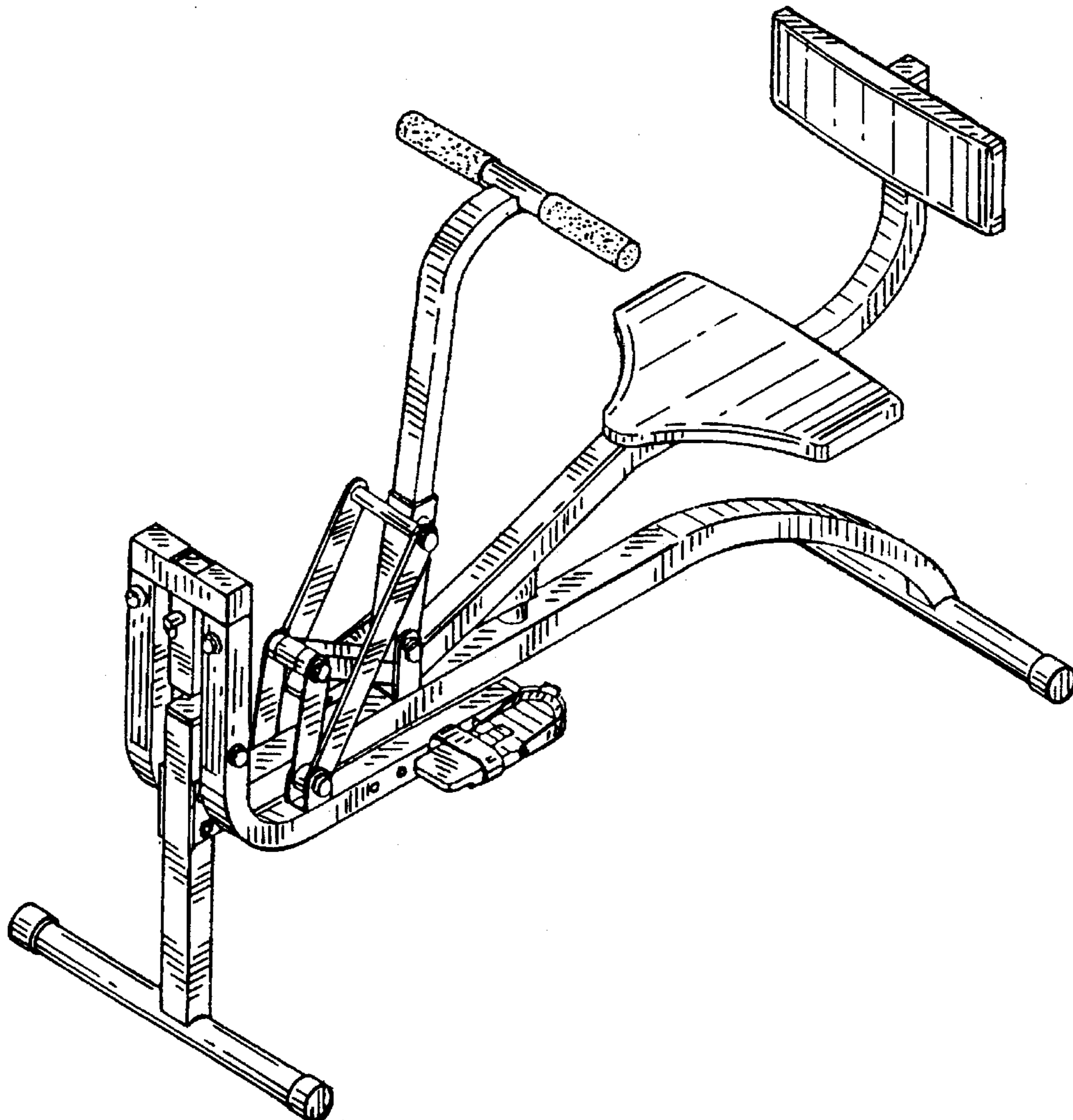
FIG. 1 is a perspective view of a exerciser from front and above showing my new design;
FIG. 2 is a front view thereof;
FIG. 3 is a rear view thereof;
FIG. 4 is a left side view thereof;
FIG. 5 is a right side view thereof;
FIG. 6 is a top view thereof;
FIG. 7 is a bottom view thereof; and,
FIG. 8 is a perspective view showing the handle in an alternate position.

[56] **References Cited**

U.S. PATENT DOCUMENTS

D. 216,903	3/1970	Rubel	D21/195
D. 344,112	2/1994	Smith	D21/195
5,299,997	4/1994	Chen	482/72
5,356,357	10/1994	Wang et al.	482/57
5,366,428	11/1994	Liao	482/57
5,421,795	6/1995	Chen	482/72

1 Claim, 5 Drawing Sheets



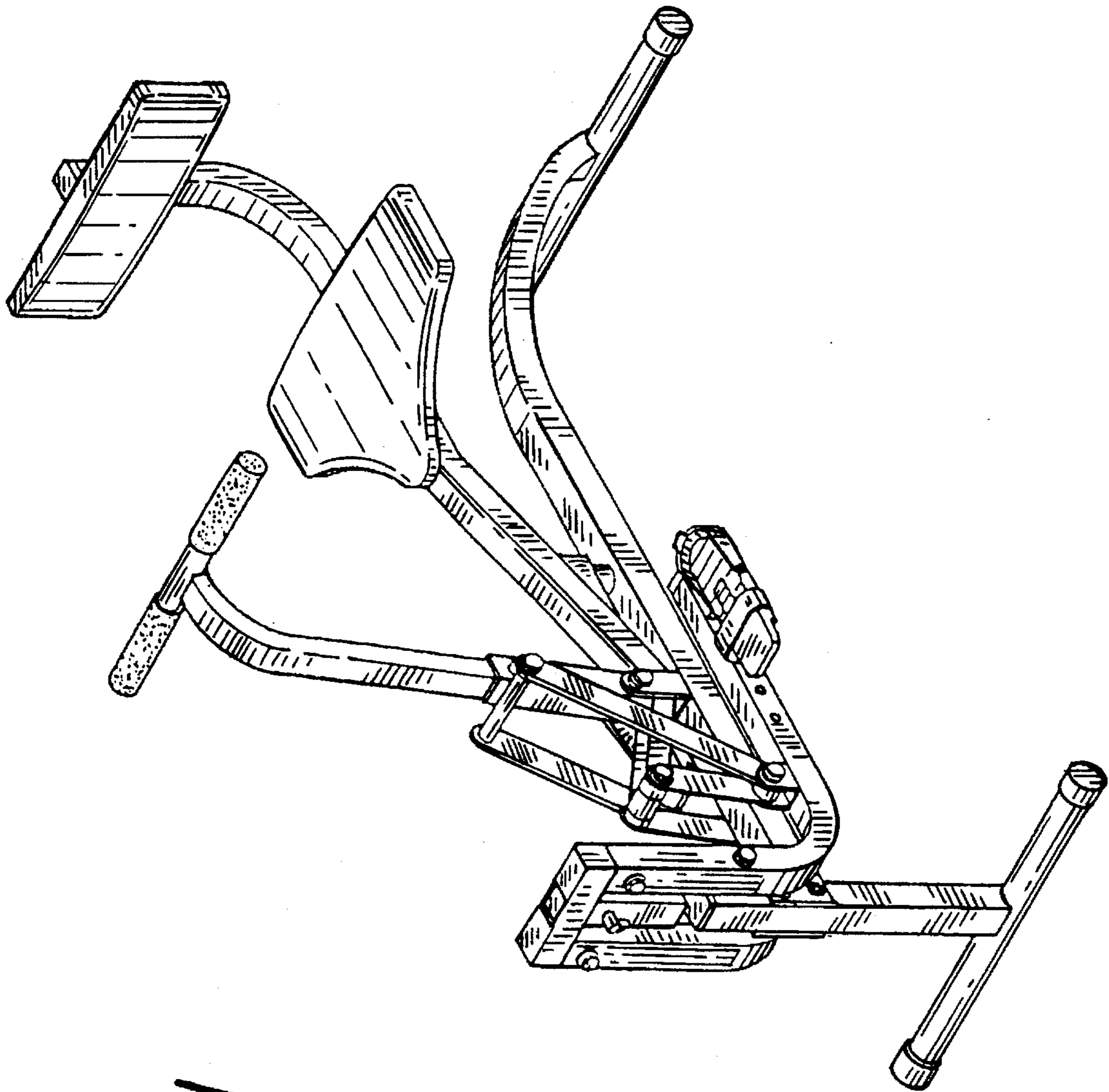


FIG. 1

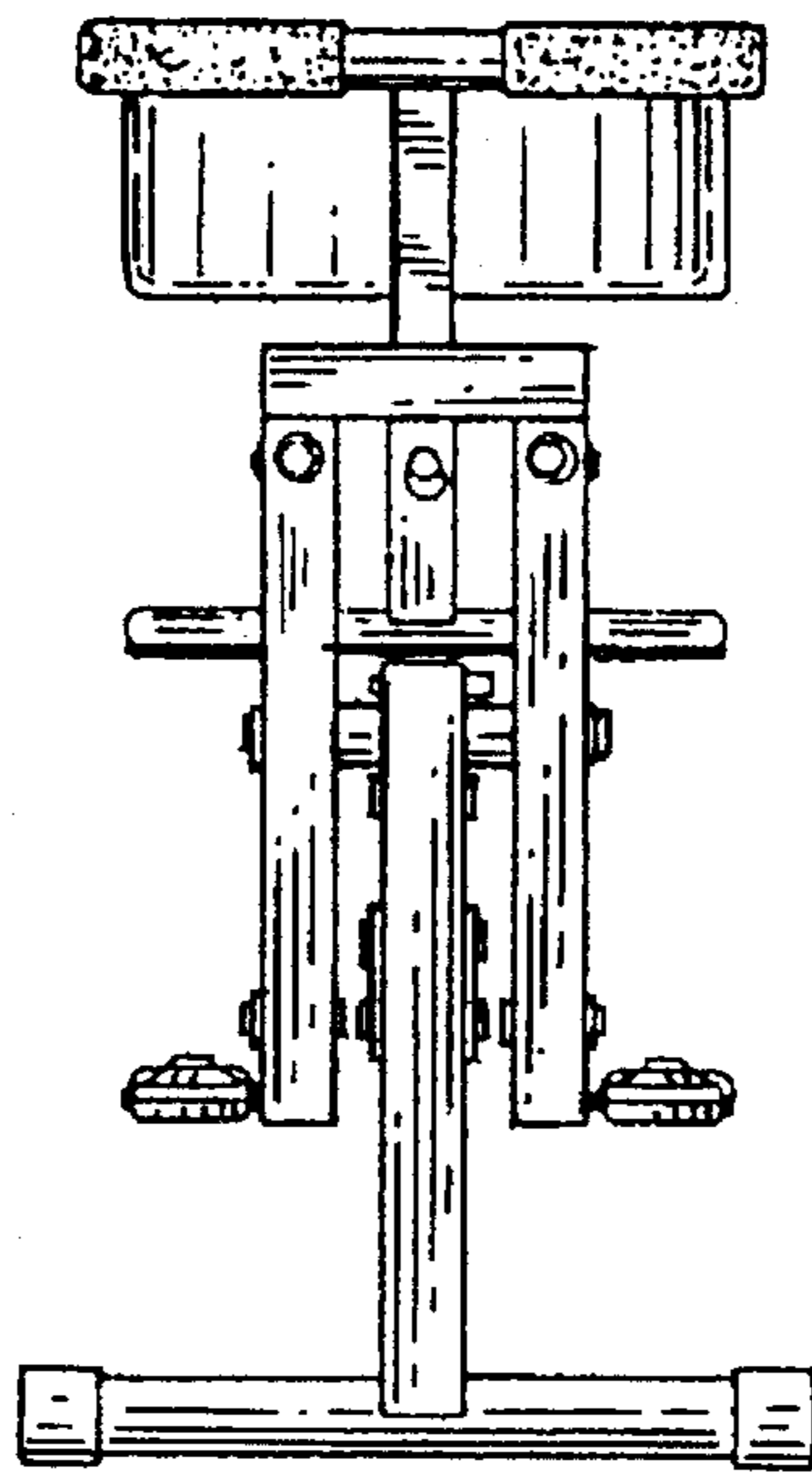


FIG. 2

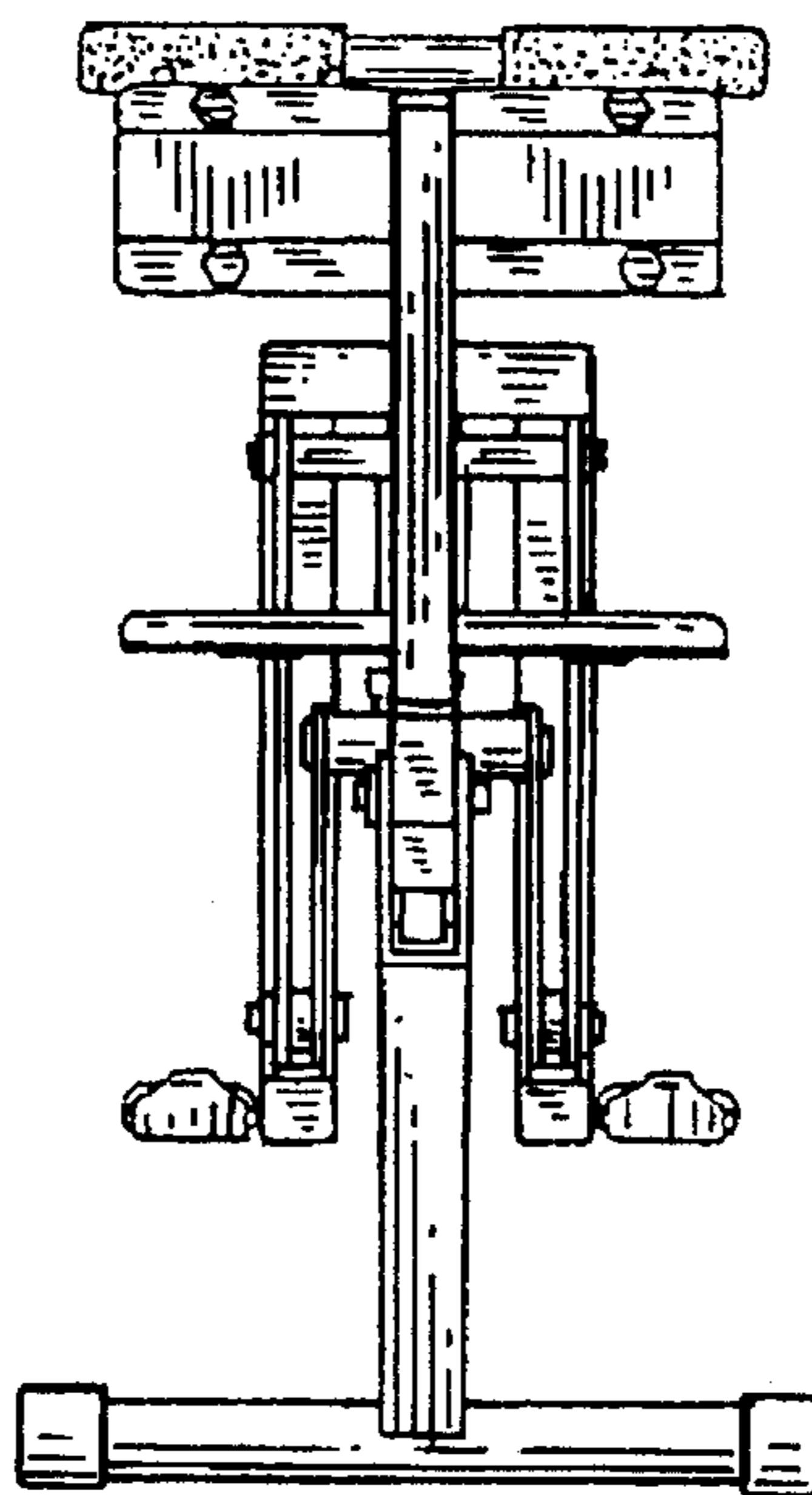


FIG. 3

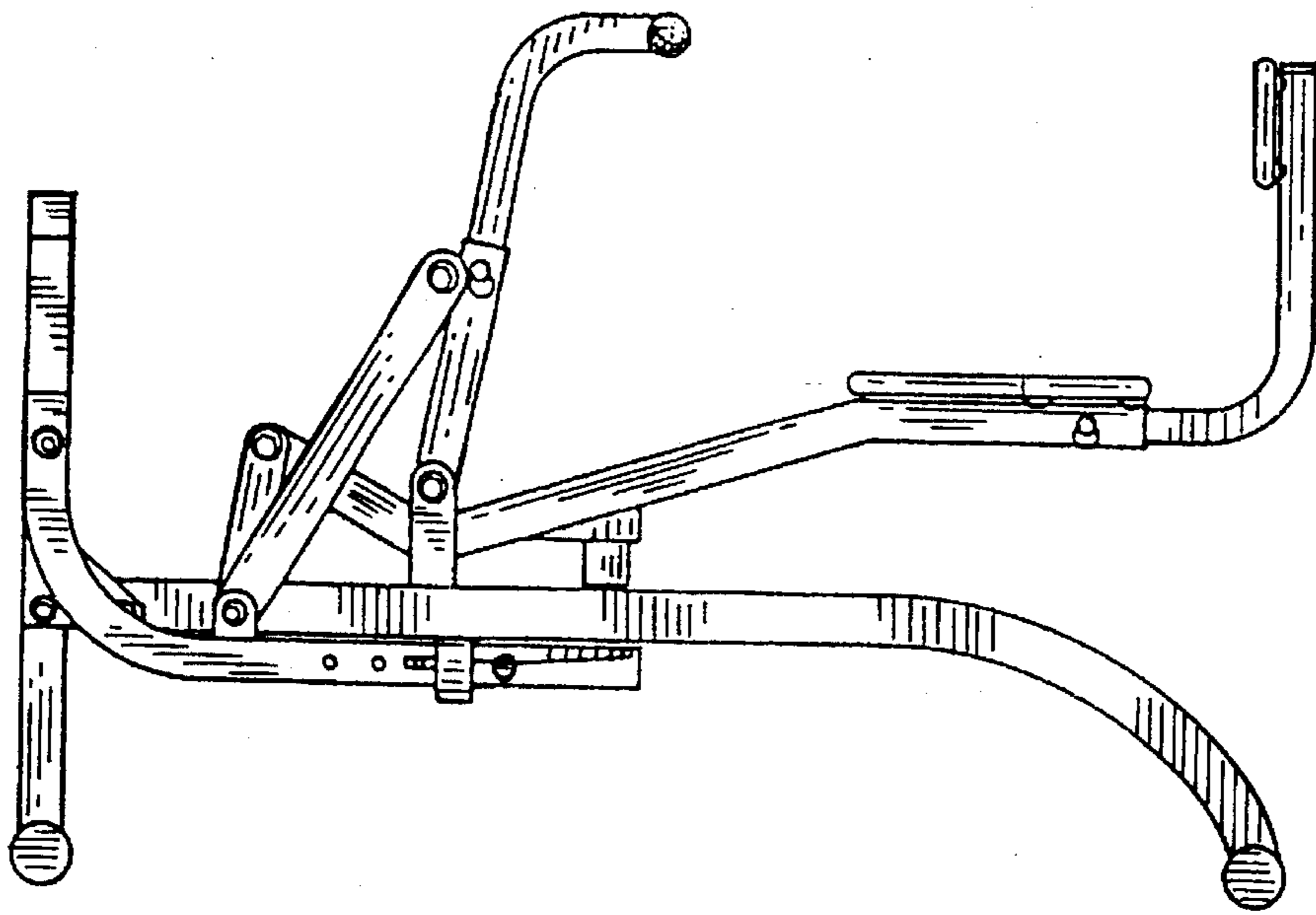


FIG. 4

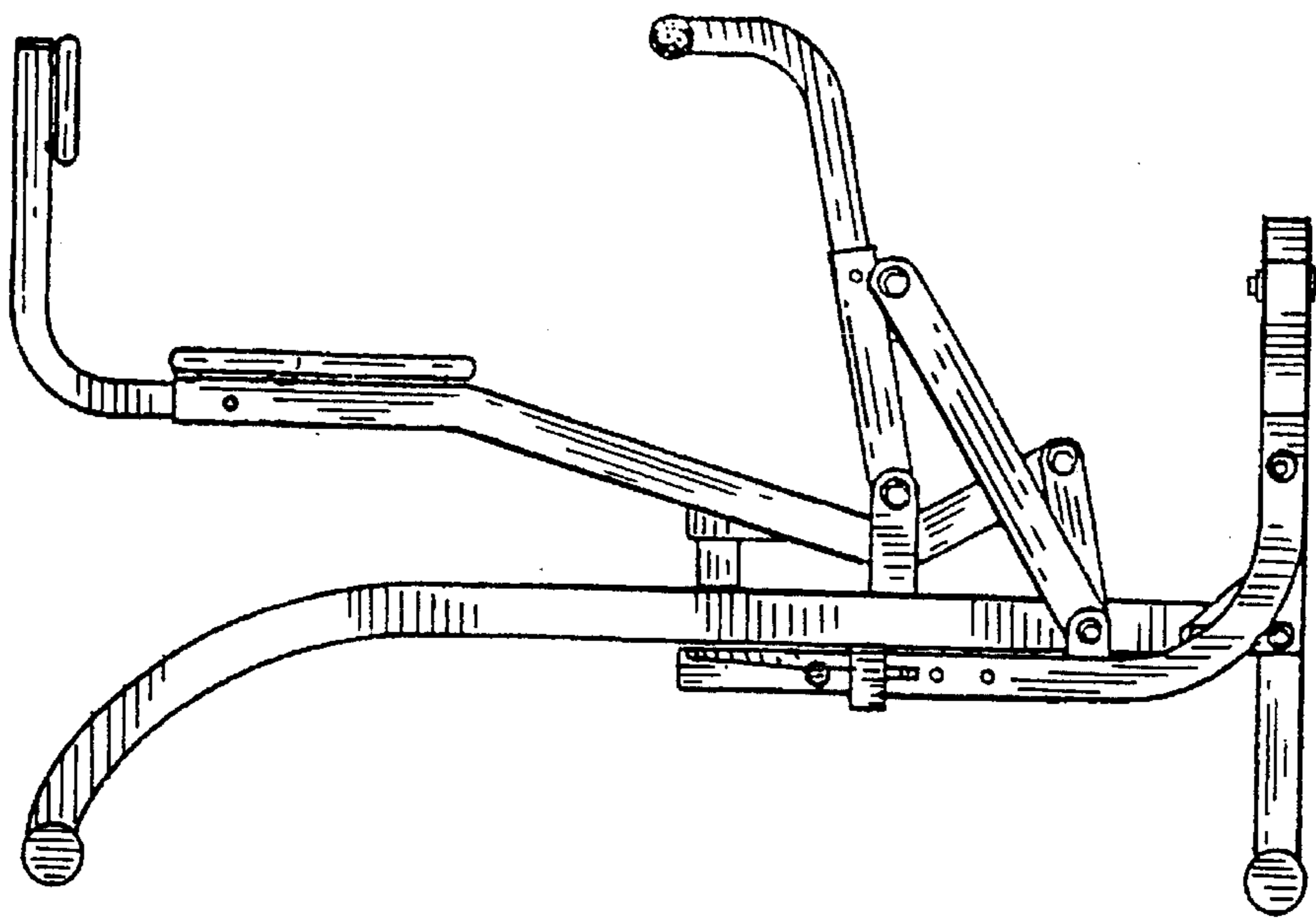


FIG. 5

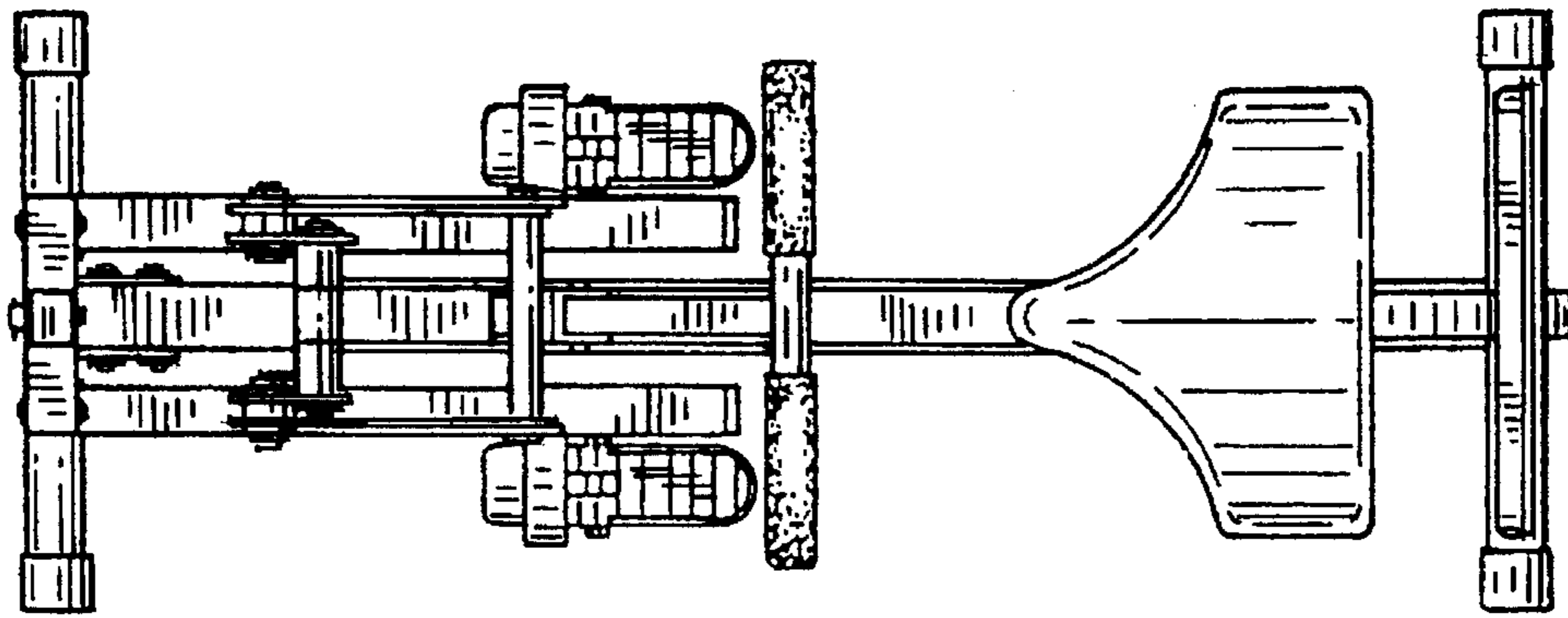


FIG. 6

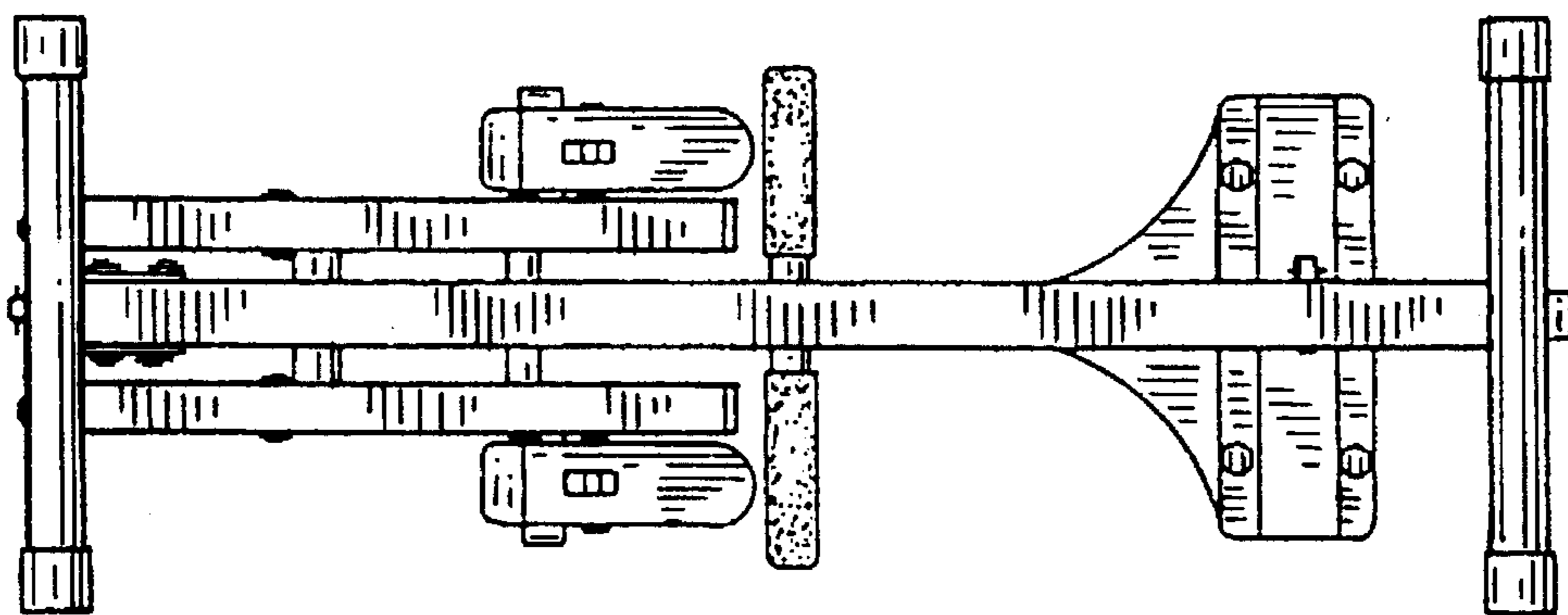


FIG. 7

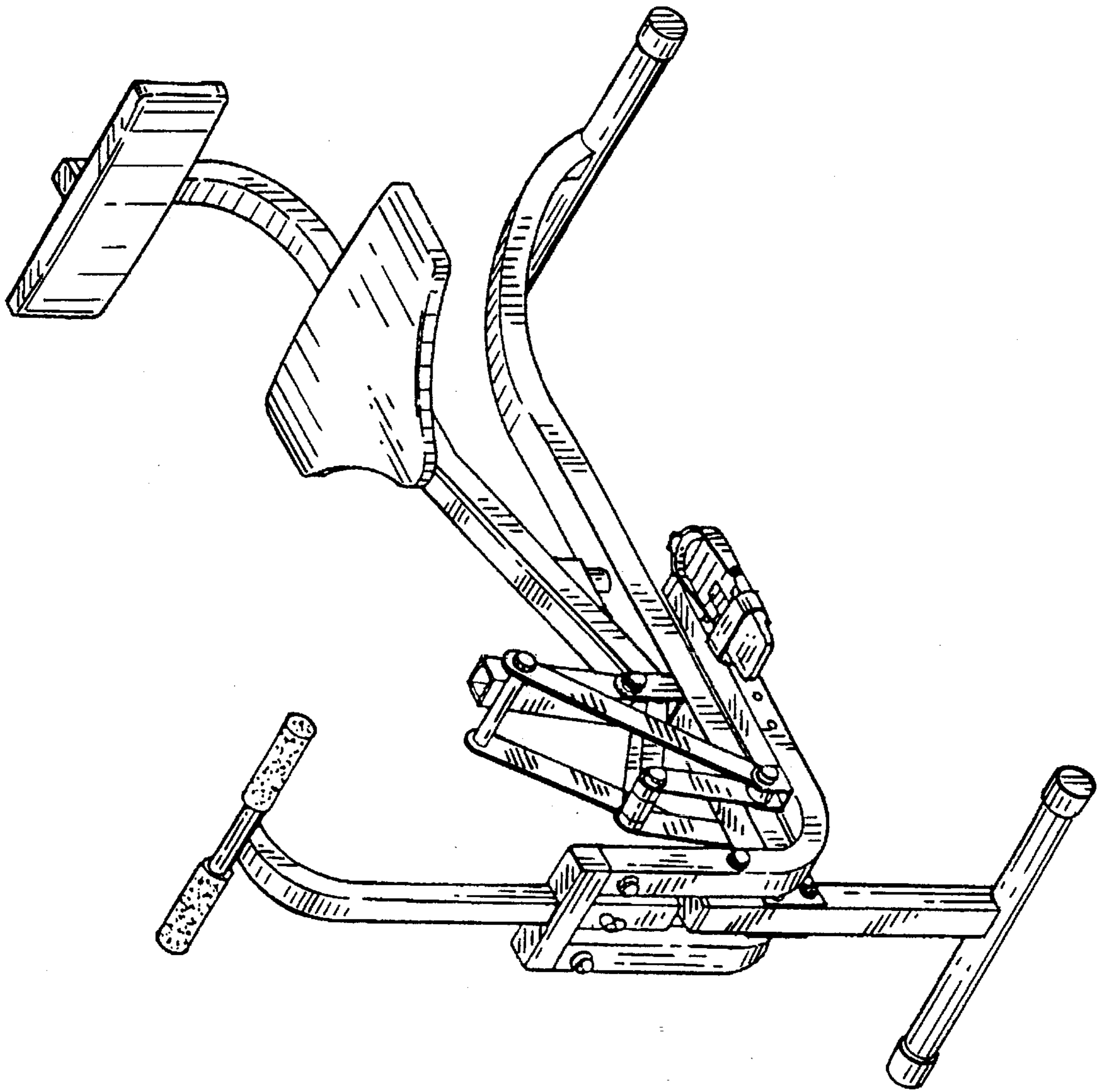


FIG. 8