



US00D375530S

United States Patent [19]

Rudd

[11] Patent Number: **Des. 375,530**

[45] Date of Patent: ****Nov. 12, 1996**

[54] **BEAN BAG GAME**

5,165,695 11/1992 Yoder 273/402

[76] Inventor: **Bob Rudd**, 5343 W. Warren Ave.,
Silver Lake, Ind. 46982

Primary Examiner—Prabhakar G. Deshmukh
Attorney, Agent, or Firm—Harold H. Dutton, Jr.; Diane F. Liebman; W. Charles L. Jamison

[**] Term: **14 Years**

[57] CLAIM

[21] Appl. No.: **47,028**

The ornamental design for a bean bag game, as shown and described.

[22] Filed: **Nov. 27, 1995**

[52] U.S. Cl. **D21/5**

DESCRIPTION

[58] Field of Search D21/5, 1, 2, 14,
D21/15; D6/406, 429; 273/398-402, 408,
407, 283, 284, 285, 287

FIG. 1 is a perspective view of a bean bag game showing my new design;

FIG. 2 is a front view thereof;

FIG. 3 is a rear view thereof;

FIG. 4 is a bottom view thereof; and,

FIG. 5 is a left side view thereof.

The right side view is a mirror image of FIG. 5.

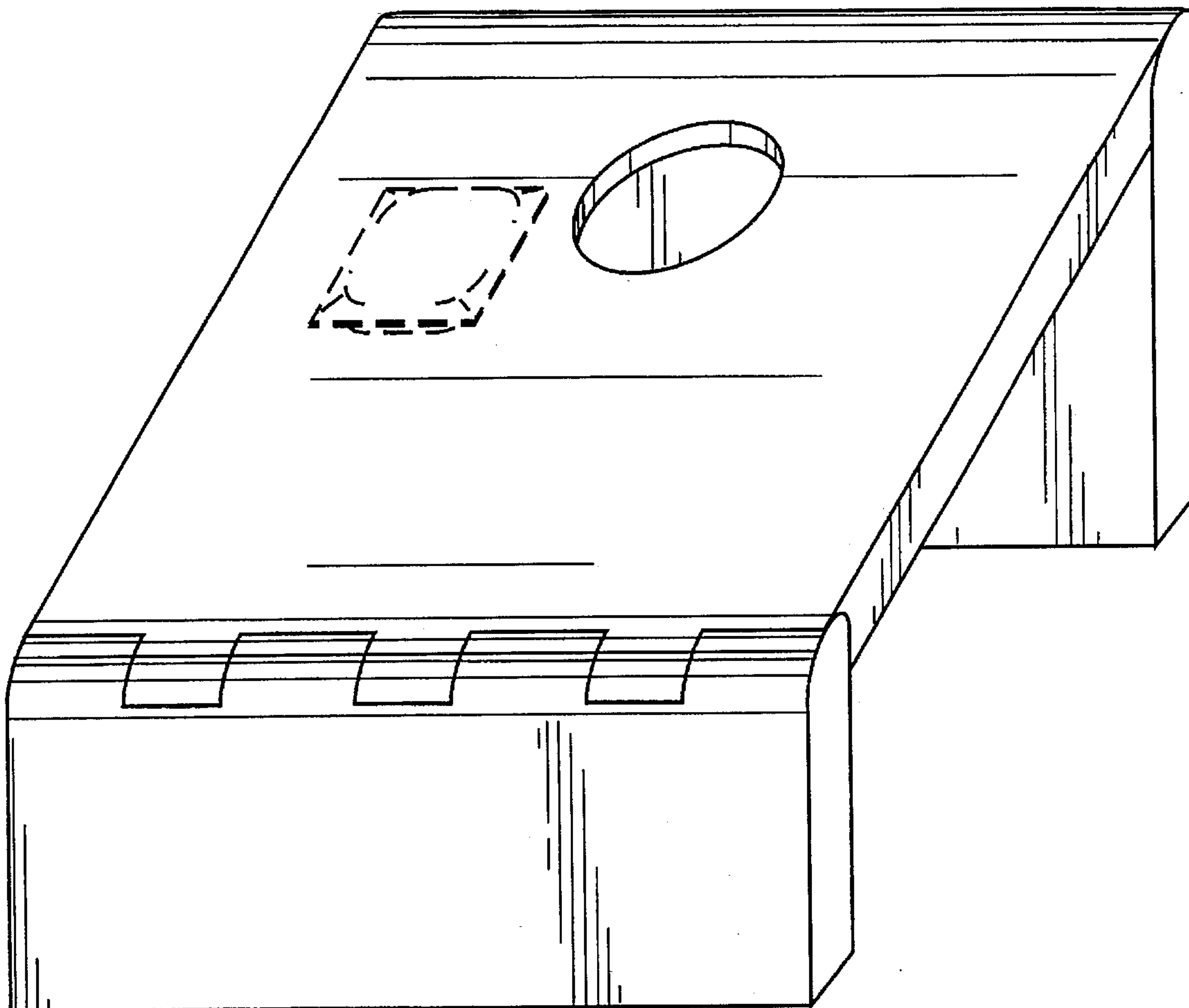
The broken line showing of bean bag in FIG. 1 is for illustrative purpose only and forms no part of the claim.

[56] References Cited

U.S. PATENT DOCUMENTS

D. 273,252	4/1984	Markson	D6/429	X
D. 318,960	8/1991	Lilly et al.	D6/406	
1,754,130	4/1930	Uchiyama	D21/15	X
3,837,650	9/1974	Haney	273/402	
4,961,586	10/1990	Conville	273/402	
5,056,796	10/1991	Conville	273/402	

1 Claim, 3 Drawing Sheets



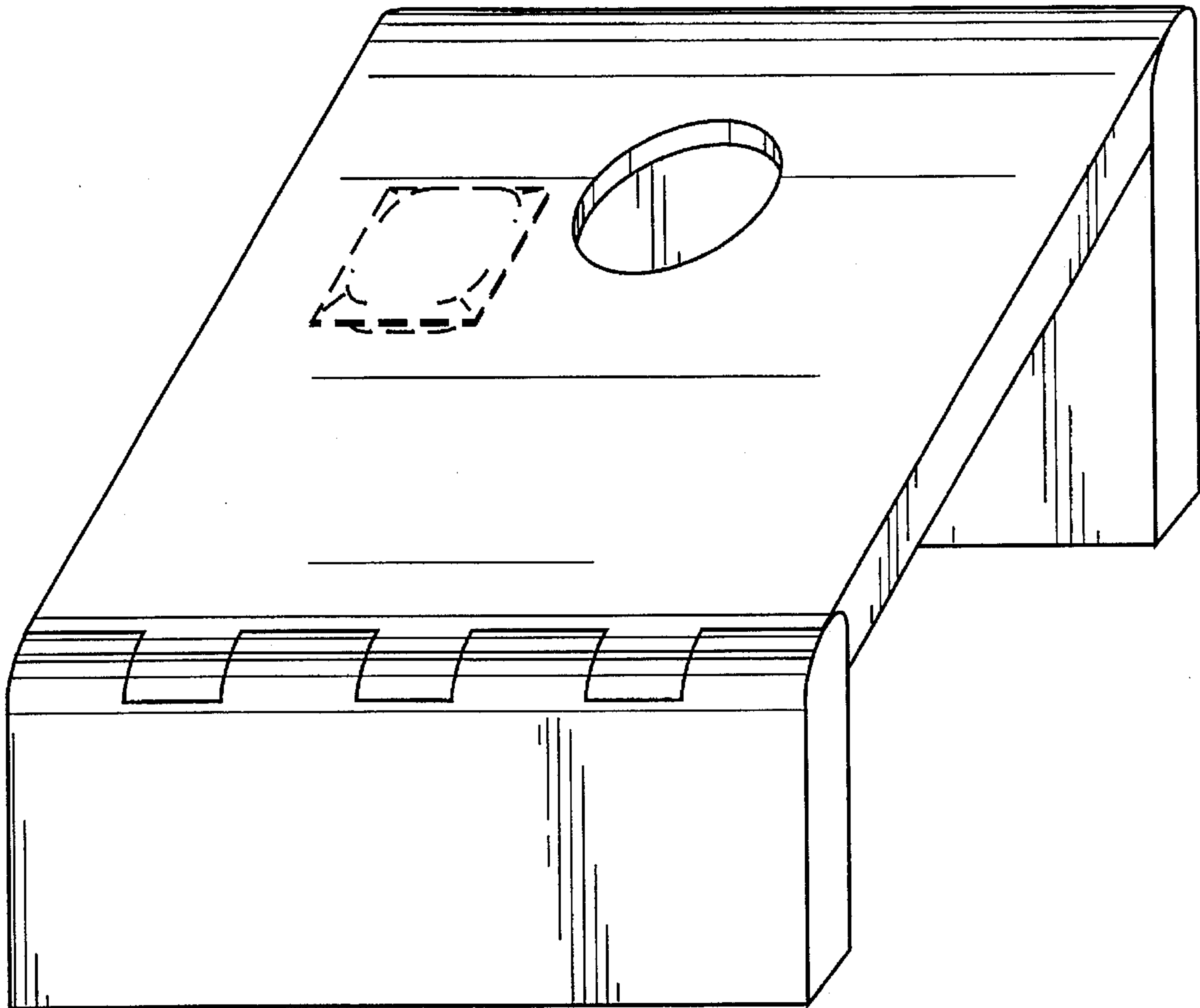


FIG. 1

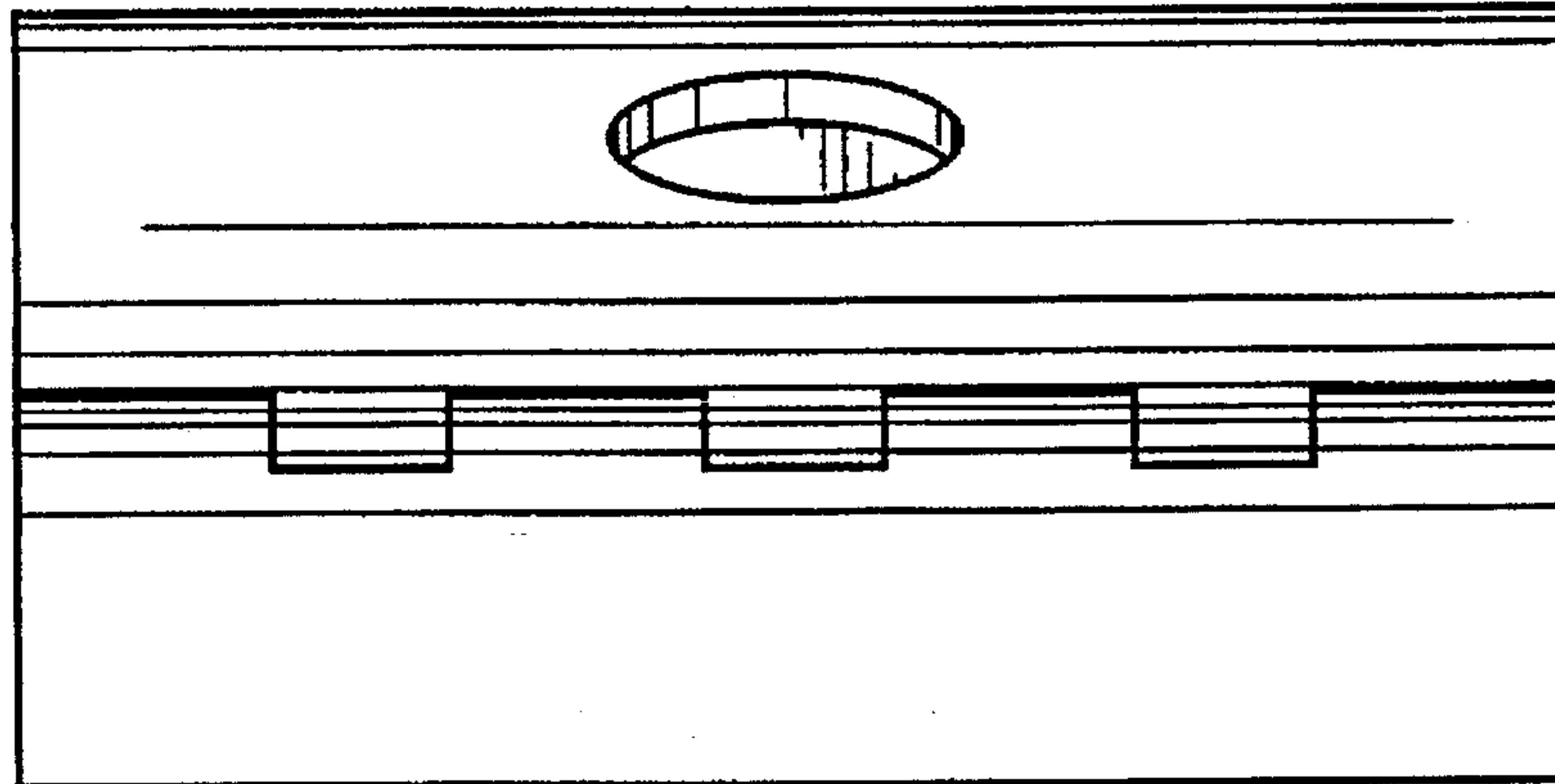


FIG. 2

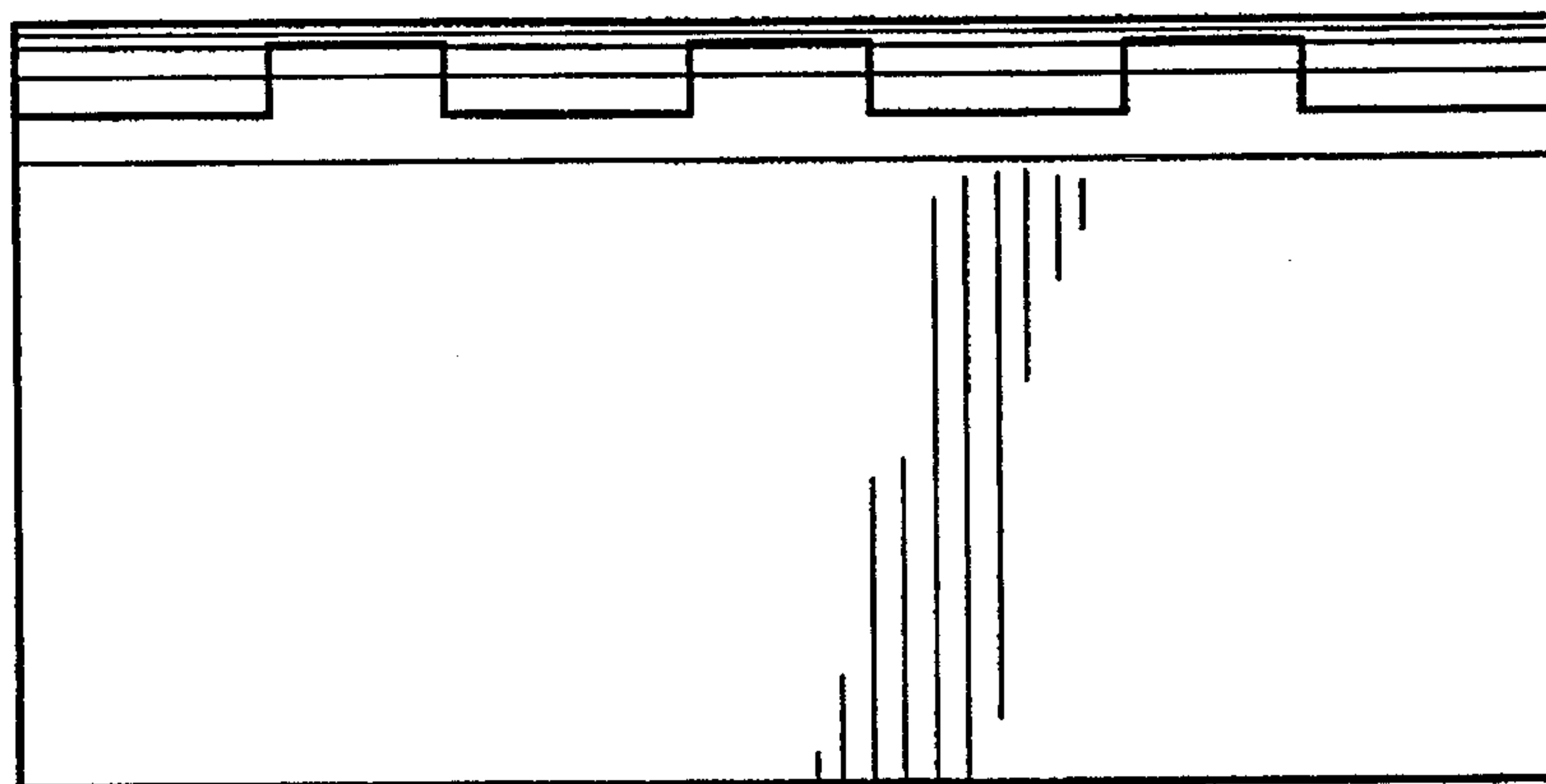


FIG. 3

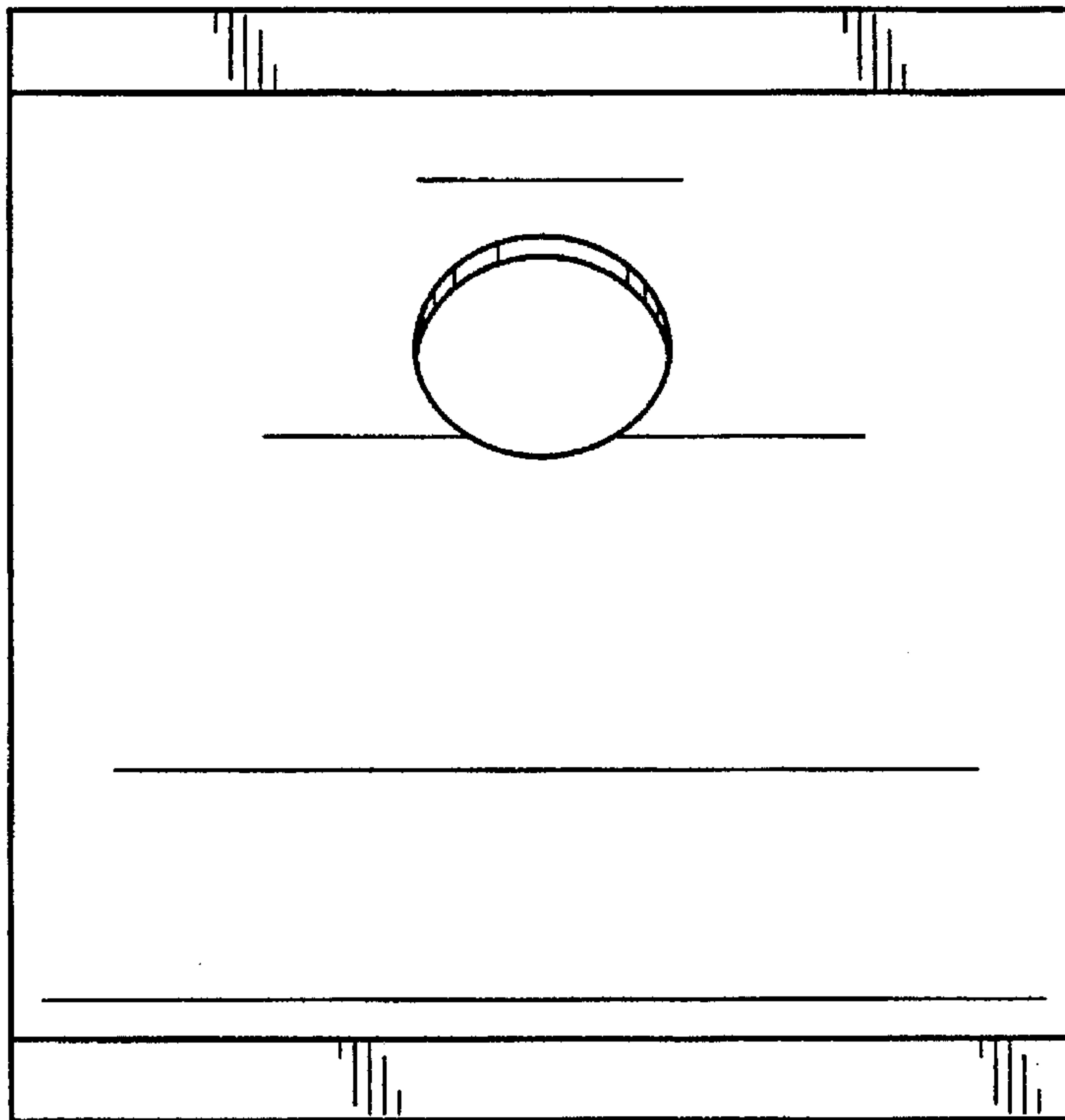


FIG. 4

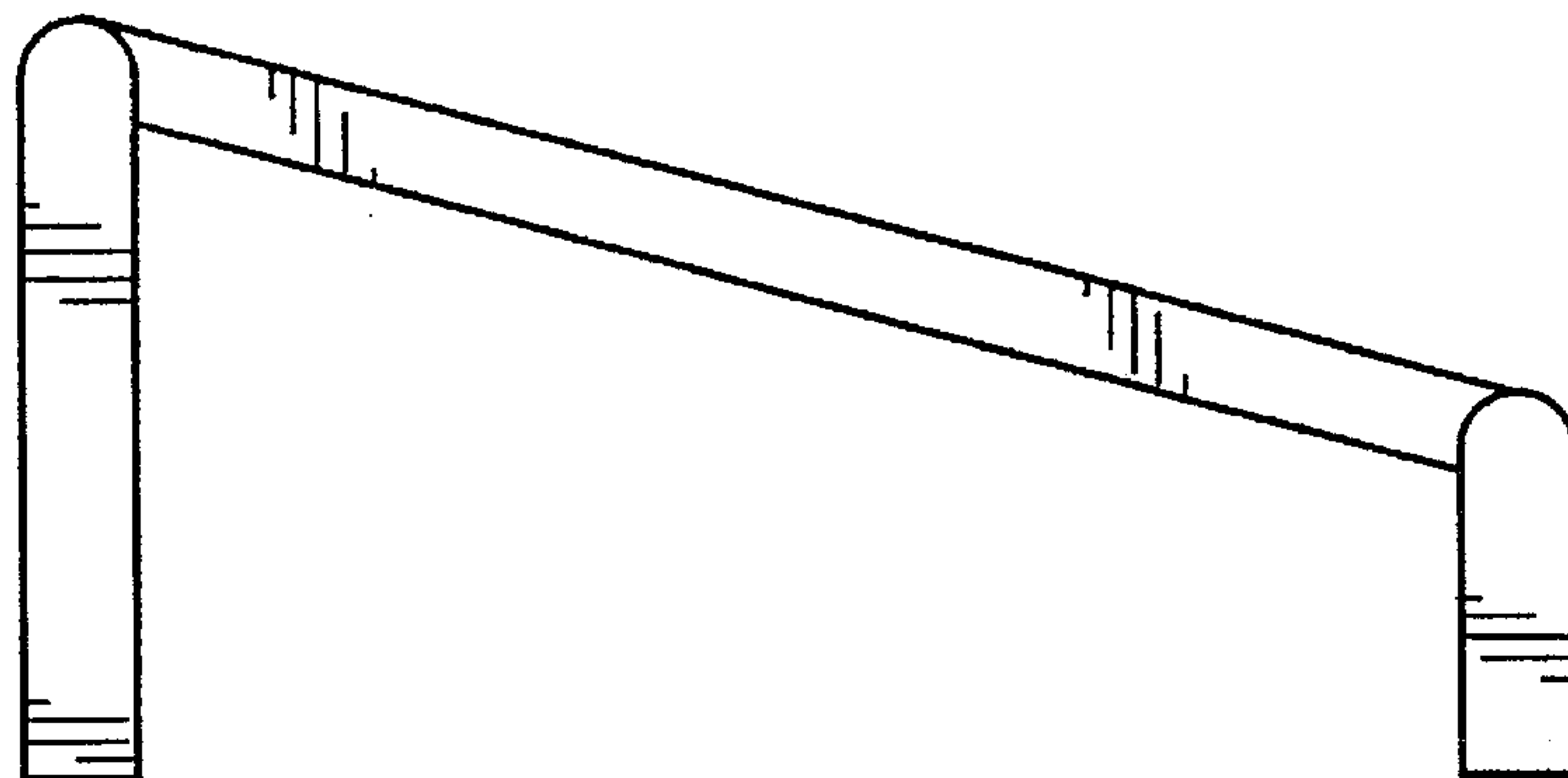


FIG. 5