



US00D375529S

# United States Patent [19]

**Kohler**

[11] **Patent Number: Des. 375,529**

[45] **Date of Patent: \*\*Nov. 12, 1996**

[54] **GAME BOARD**

[75] **Inventor: Arthur Kohler, Mentor, Ohio**

[73] **Assignee: Chagrin Plastic Methods, Mentor, Ohio**

[\*\*] **Term: 14 Years**

[21] **Appl. No.: 46,458**

[22] **Filed: Nov. 15, 1995**

[52] **U.S. Cl. .... D21/5**

[58] **Field of Search ..... D21/1, 2, 5, 20;  
273/317, 398, 400, 402, 348, 424, 425,  
404**

[56] **References Cited**

**U.S. PATENT DOCUMENTS**

- D. 329,666 9/1992 Dougherty ..... D21/5
- D. 341,381 11/1993 Niebling ..... D21/5

- 3,674,270 7/1972 Benjamin et al. .... 273/400
- 4,392,653 7/1983 Blume, Jr. .... 273/400
- 5,018,745 5/1991 Dunse ..... 273/400
- 5,052,693 10/1991 Hicks ..... 273/400 X

*Primary Examiner*—Prabhakar G. Deshmukh  
*Attorney, Agent, or Firm*—John H. Vynalek; Frank B. Robb

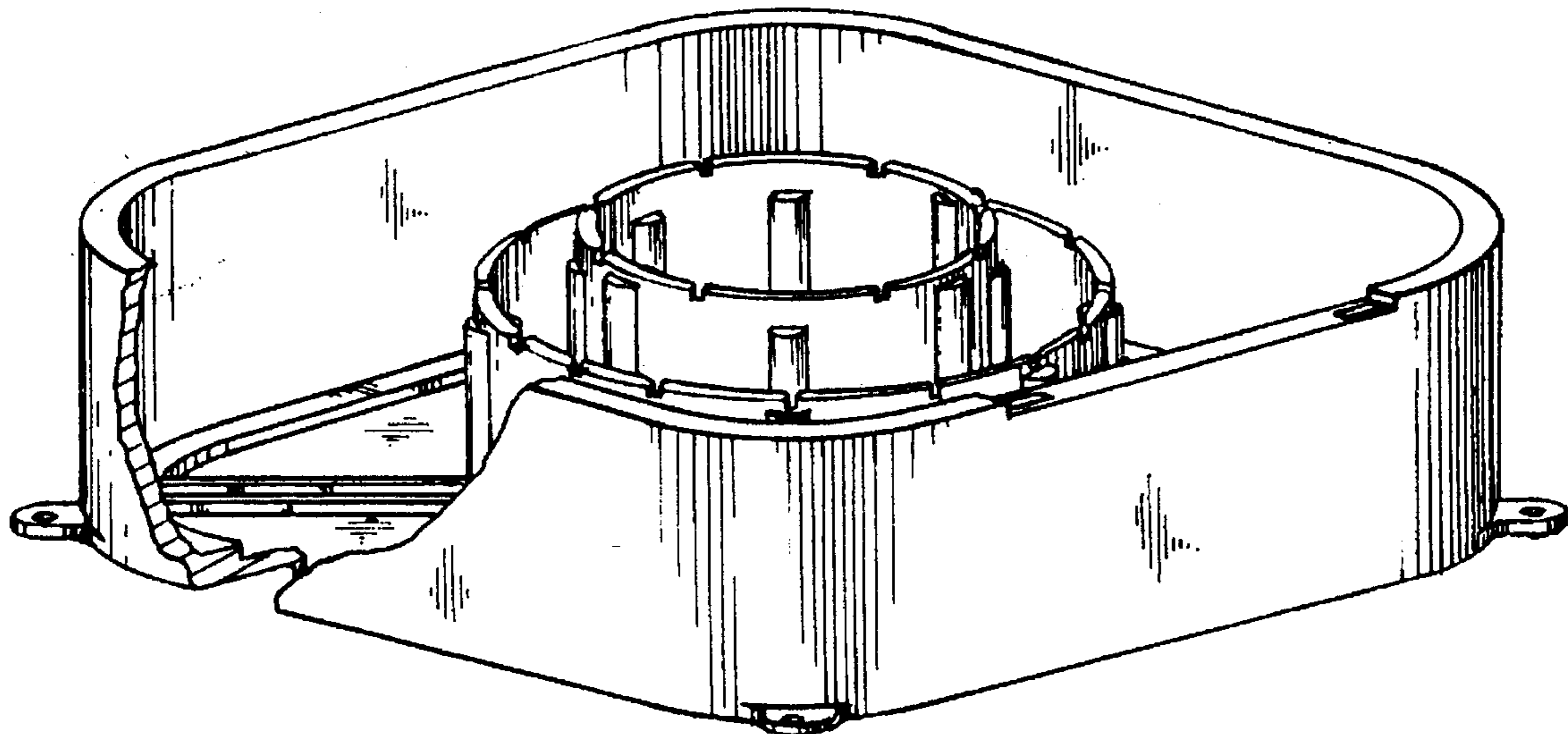
[57] **CLAIM**

The ornamental design for game board, as shown and described.

**DESCRIPTION**

FIG. 1 is a top plan view of a game board showing my new design;  
FIG. 2 is an elevational view thereof;  
FIG. 3 is a bottom plan view thereof; and,  
FIG. 4 is a perspective view thereof; partially cut away for clarity.

**1 Claim, 2 Drawing Sheets**



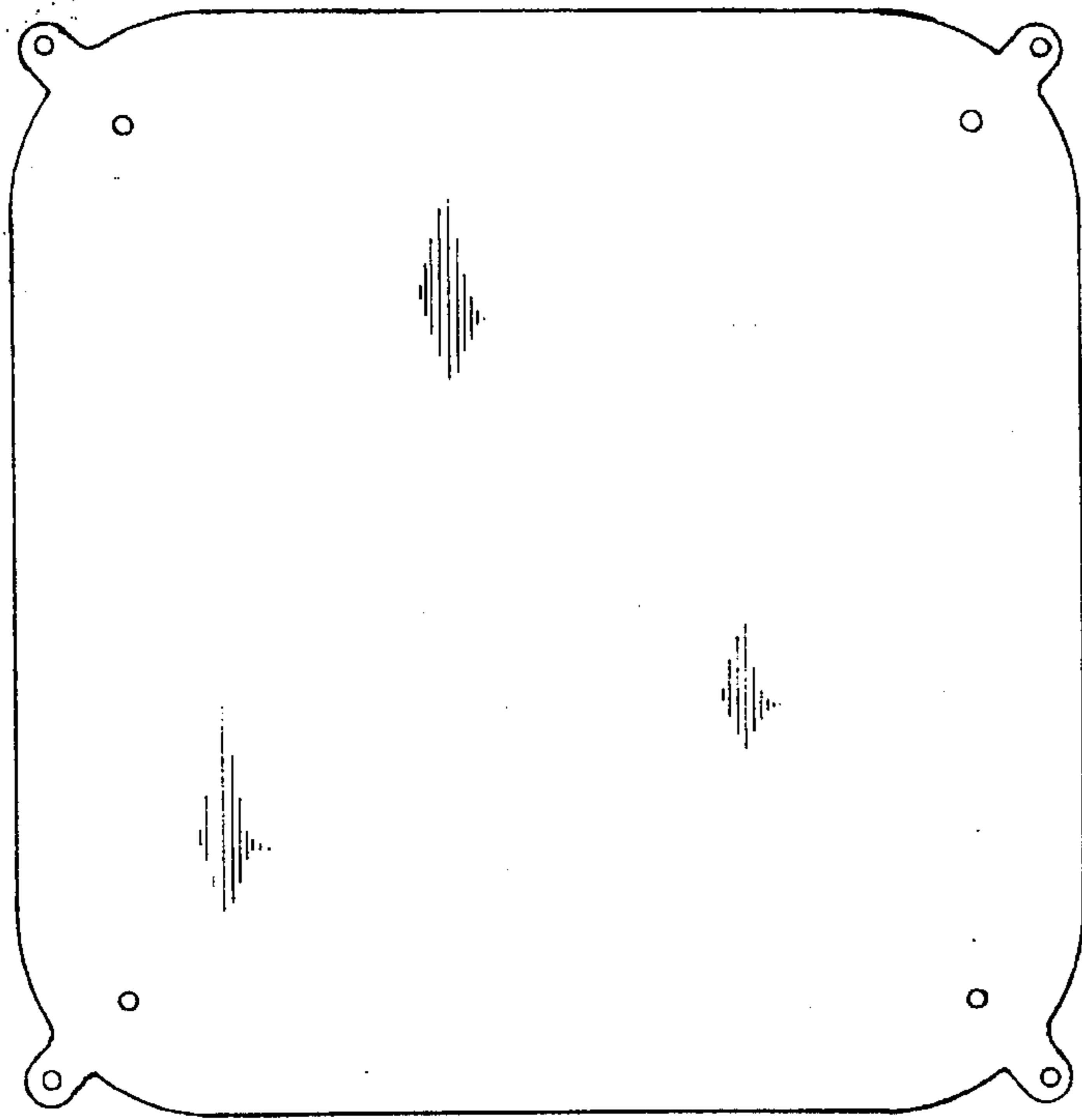


FIG. 3

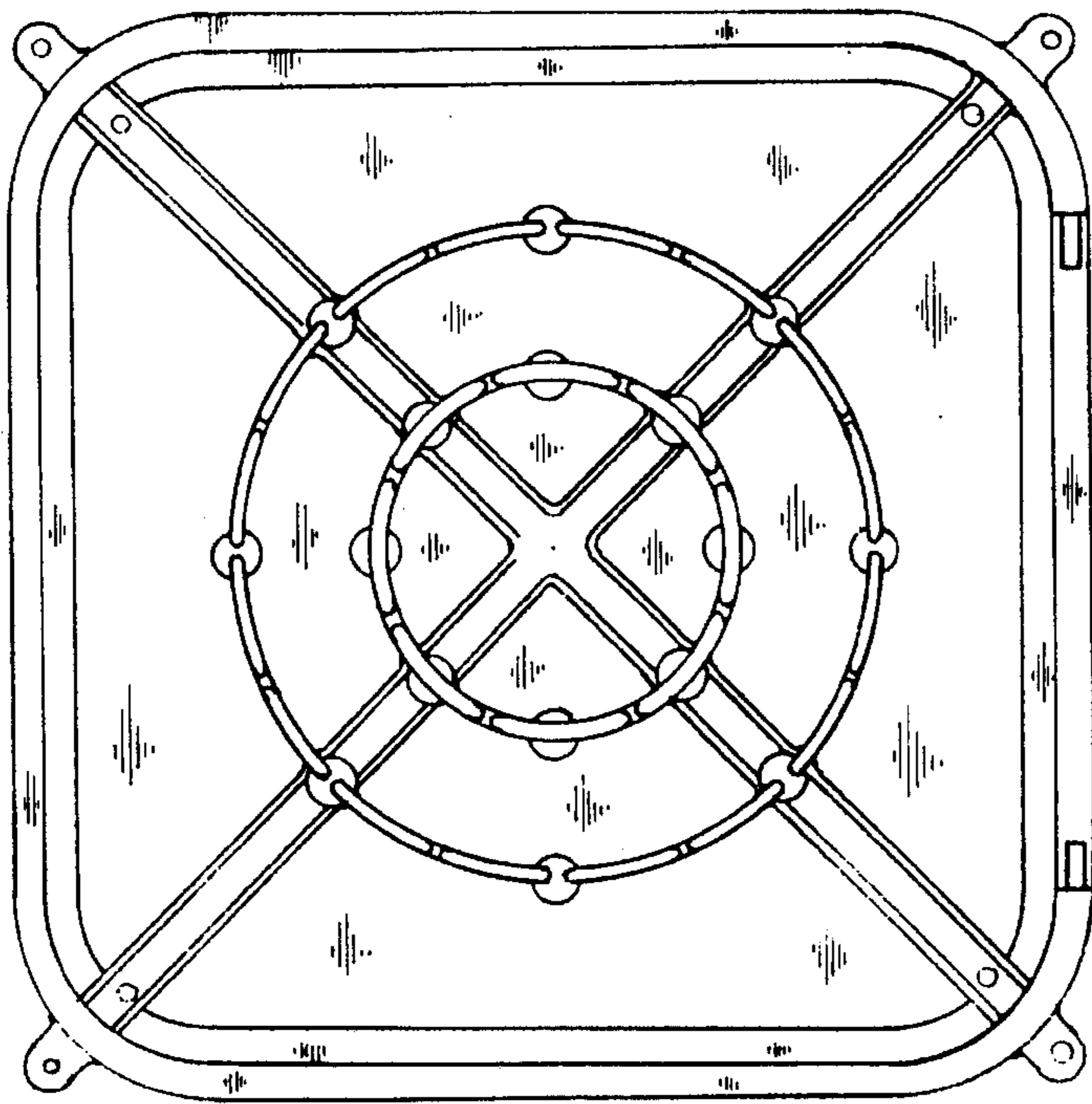


FIG. 1

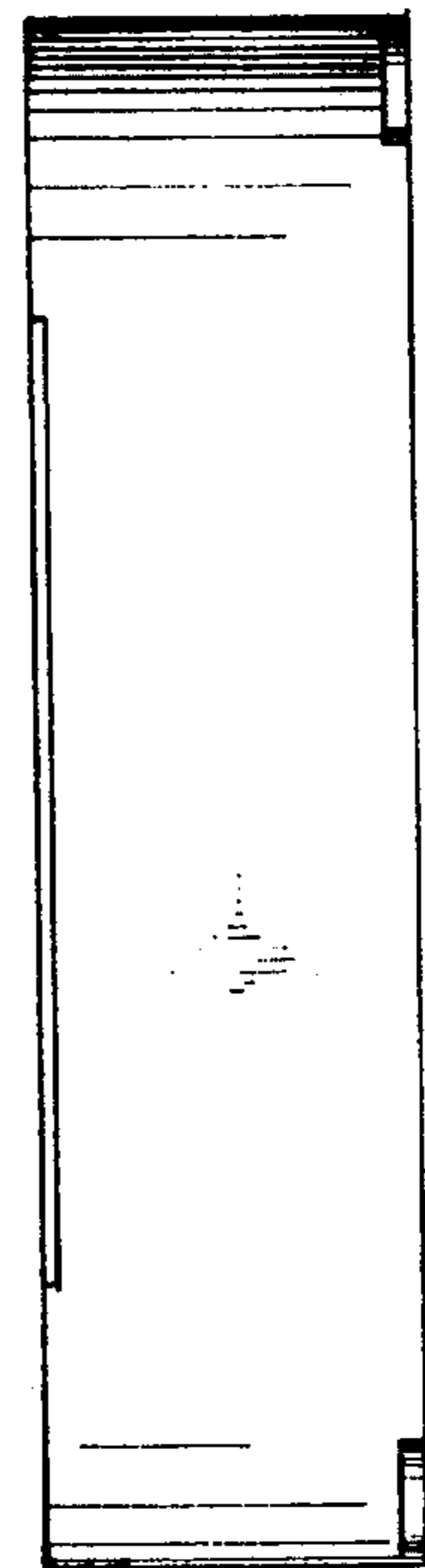


FIG. 2

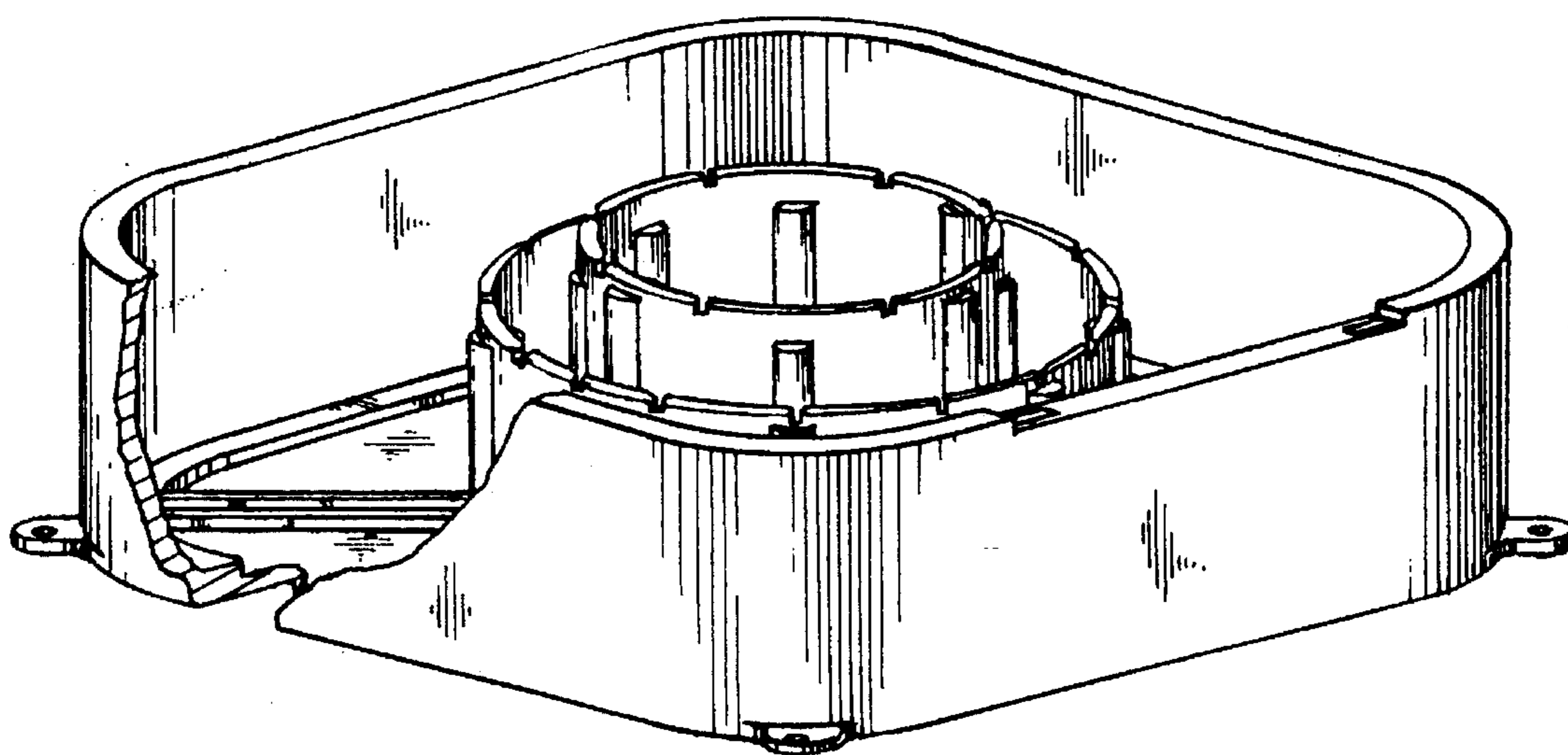


FIG. 4