



US00D375516S

# United States Patent [19]

[11] Patent Number: **Des. 375,516**

Winston

[45] Date of Patent: **\*\*Nov. 12, 1996**

[54] **COMBINED STAMP PAD AND CONTAINER**

2208492 4/1987 United Kingdom ..... 101/333

[76] Inventor: **Jeffrey M. Winston**, 658 W. Shore Dr., Anacortes, Wash. 98221

### OTHER PUBLICATIONS

Stamp Products Resource Book 1994-1995, Clearsnap, Inc., Anacortes, WA, pp. 48 and 50.

[\*\*] Term: **14 Years**

*Primary Examiner*—Cathy Anne MacCormac  
*Assistant Examiner*—Frank Martinez  
*Attorney, Agent, or Firm*—Hughes, Multer & Schacht, P.S.

[21] Appl. No.: **43,000**

[22] Filed: **Aug. 22, 1995**

[52] U.S. Cl. .... **D18/17**

### [57] CLAIM

[58] Field of Search ..... D18/16, 17, 15;  
118/264, 265, 270, 317; 101/333, 334,  
327, 405, 406, 371, 372, 373

The ornamental design for a combined stamp pad and container, as shown and described.

### [56] References Cited

### DESCRIPTION

#### U.S. PATENT DOCUMENTS

D. 201,922	8/1965	Harris et al. ....	D18/15 X
D. 283,033	3/1986	Berg .....	D18/15
D. 331,418	12/1992	Winston .....	D18/17
D. 348,898	7/1994	Nagasawa .....	D18/15
D. 353,392	12/1994	Winston .....	D18/17 X

FIG. 1 is a perspective view of a combined stamp pad and container showing my new design;  
FIG. 2 is a top plan view thereof;  
FIG. 3 is a side elevational view thereof, the opposite side being identical;  
FIG. 4 is a bottom plan view thereof; and,  
FIG. 5 is an end elevational view thereof, the opposite end being identical.

#### FOREIGN PATENT DOCUMENTS

2514699	4/1983	France .....	101/333
0024286	2/1982	Japan .....	118/264

**1 Claim, 2 Drawing Sheets**

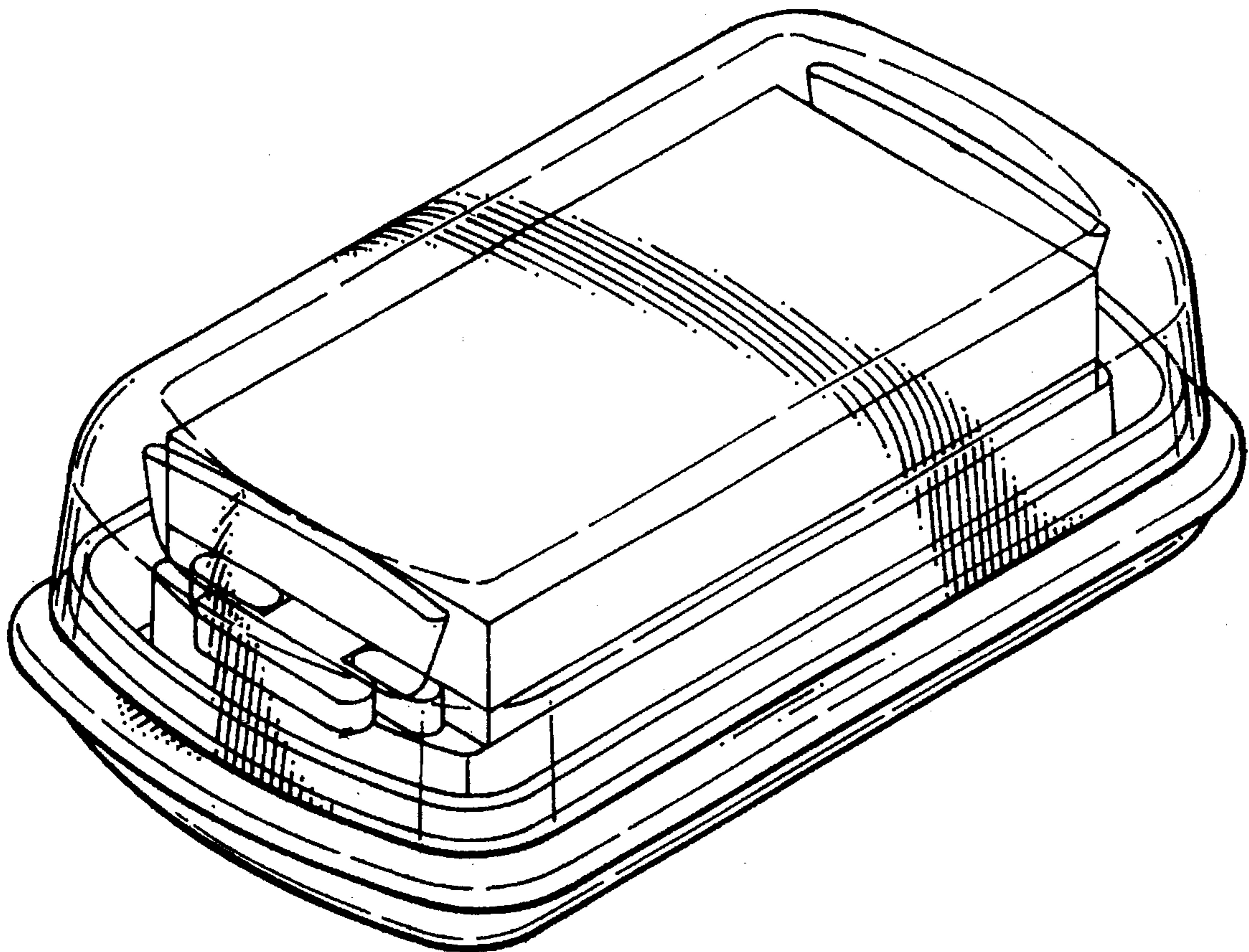


FIG. 1

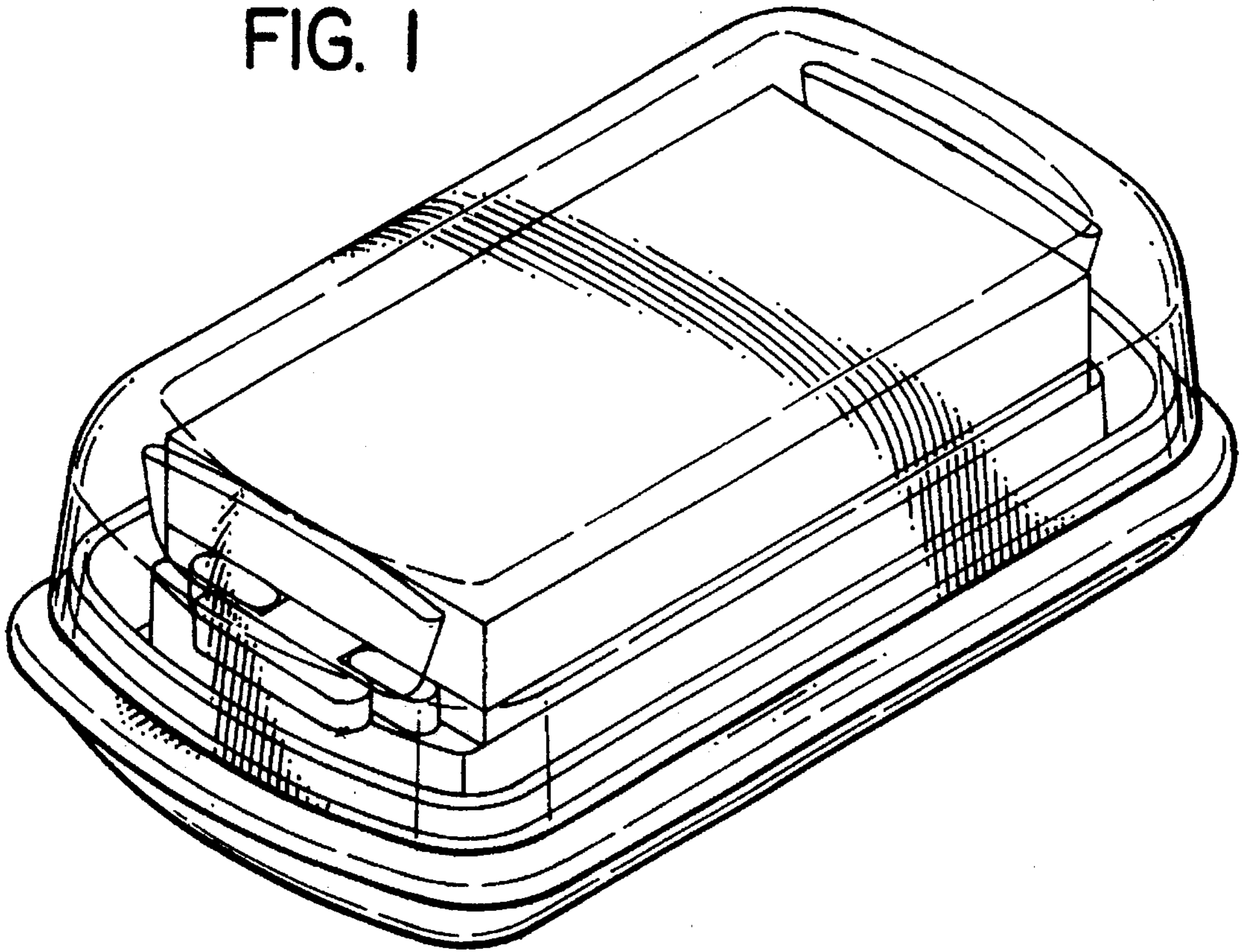


FIG. 2

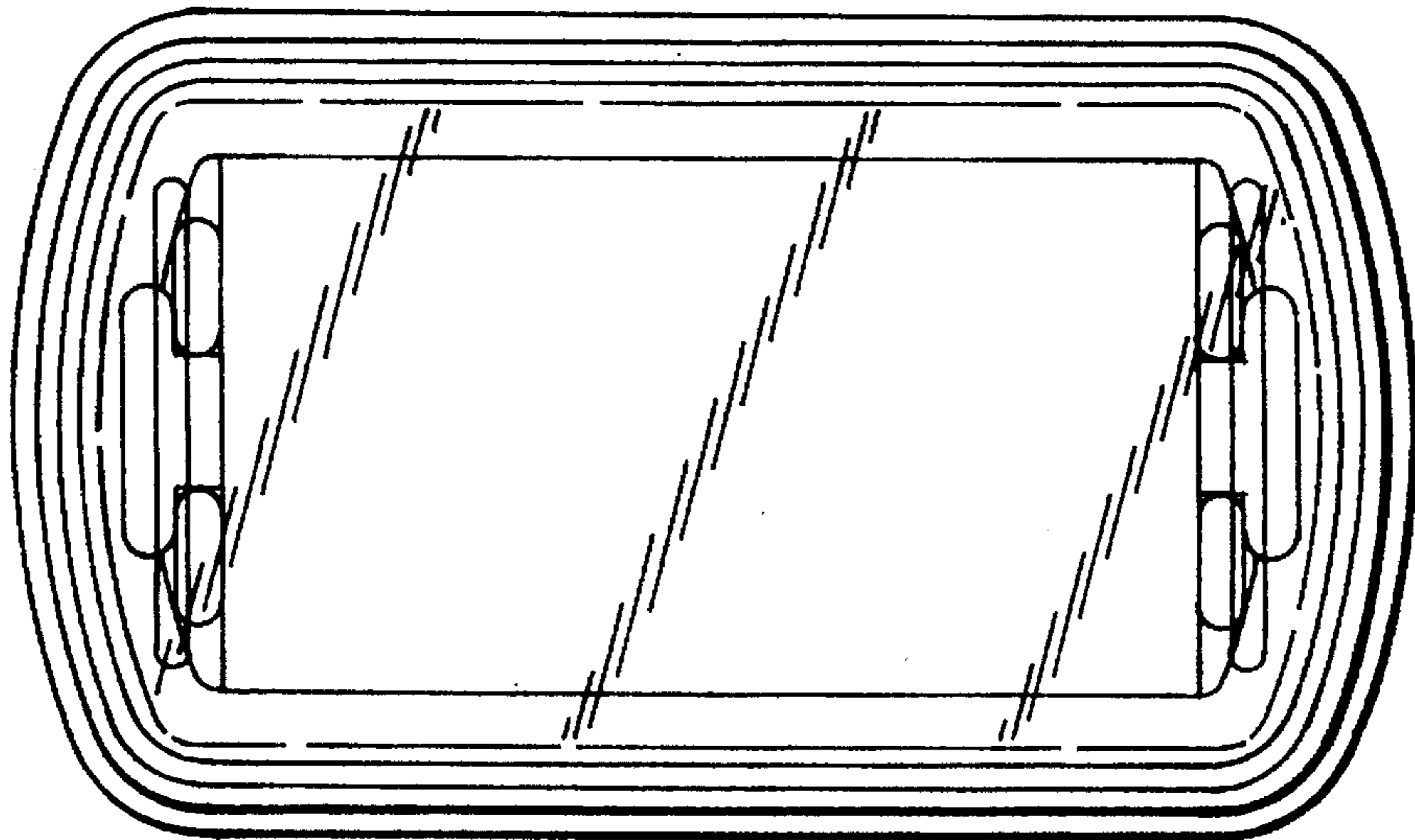


FIG. 3

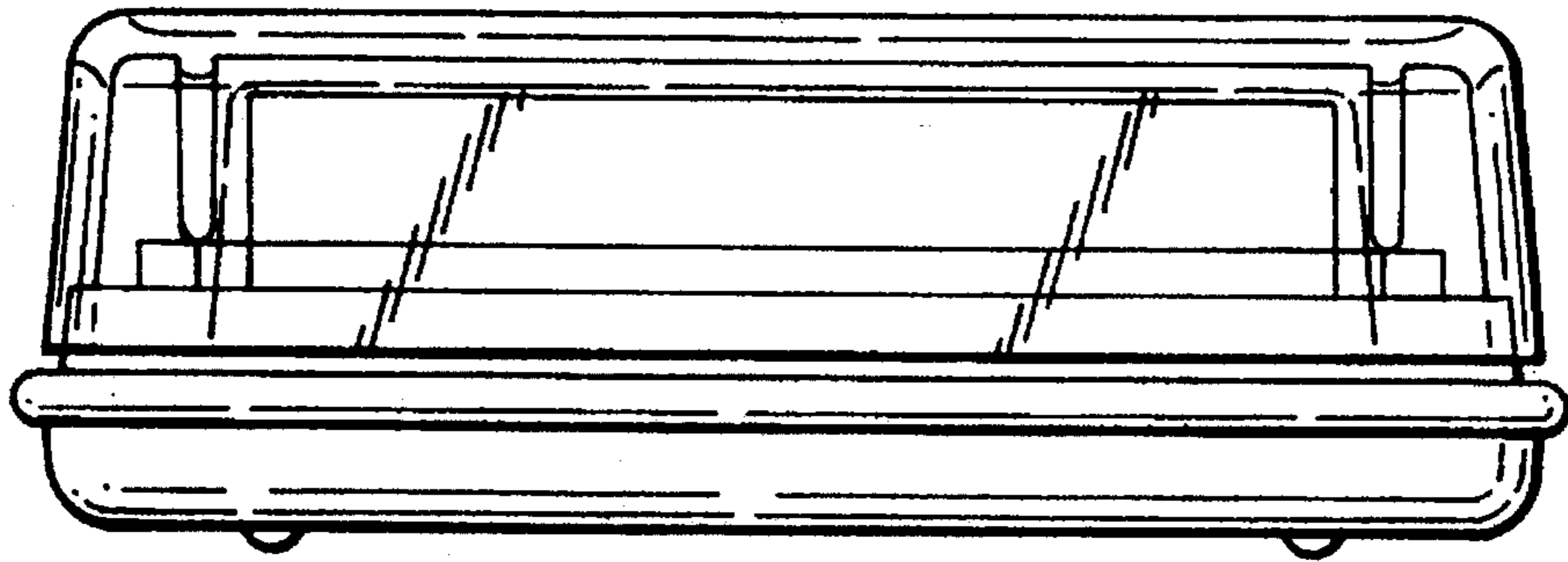


FIG. 4

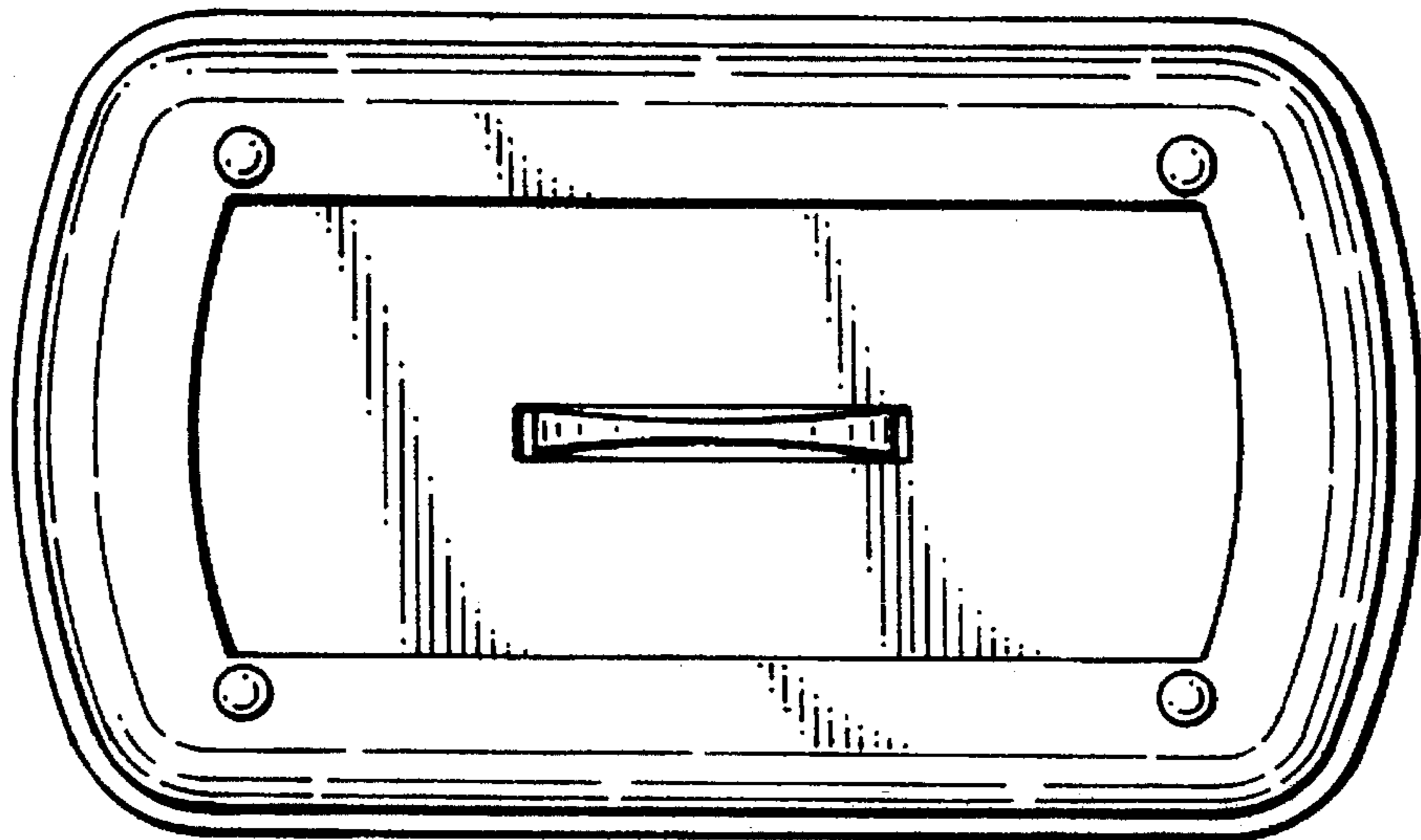


FIG. 5

