



US00D375512S

United States Patent [19]

[11] Patent Number: **Des. 375,512**

Chapman et al.

[45] Date of Patent: *****Nov. 12, 1996**

[54] **COVER LABEL FOR DAYLIGHT CAMERA**

[75] Inventors: **Steven S. Chapman**, Corfu; **Daniel C. Jackson**; **John K. McBride**, both of Rochester; **James G. Rydelek**, Henrietta; **Joseph E. Yokaity**, Rochester, all of N.Y.

[73] Assignee: **Eastman Kodak Company**, Rochester, N.Y.

[*] Notice: The portion of the term of this patent subsequent to Oct. 15, 2010, has been disclaimed.

[**] Term: **14 Years**

[21] Appl. No.: **30,435**

[22] Filed: **Oct. 28, 1994**

[52] U.S. Cl. **D16/219**; D16/219

[58] Field of Search D16/200, 201, D16/208, 209, 219, 237, 250; 354/149.11, 202, 288

[56] **References Cited**

U.S. PATENT DOCUMENTS

- D. 225,280 11/1972 Conner D16/219
- D. 321,525 11/1991 Izumi et al. D16/219

- D. 323,523 1/1992 Tanaka et al. D16/209
- D. 329,864 9/1992 Kawagoe D16/218
- D. 345,987 4/1994 Nihei D16/209
- D. 345,988 4/1994 Nojima et al. D16/209
- D. 346,176 4/1994 Nihei D16/209
- 1,196,209 8/1916 Clark et al. 354/202
- 3,958,260 5/1976 Nagasaka 354/202
- 5,329,330 7/1994 Sakai et al. 354/288
- 5,400,098 3/1995 Rydelek 354/288

Primary Examiner—Ted Shooman
Assistant Examiner—Adir Aronovich
Attorney, Agent, or Firm—Roger A. Fields

[57] **CLAIM**

The ornamental design for a cover label for daylight camera, as shown and described.

DESCRIPTION

FIG. 1 is a front elevation view of a cover label for daylight camera, showing our new design; FIG. 2 is a top plan view thereof; FIG. 3 is a bottom plan view thereof; FIG. 4 is a left-side elevation view thereof; FIG. 5 is a right-side elevation view thereof; and, FIG. 6 is a perspective view thereof, the broken line showing of a camera is for illustrative purposes only and forms no part of the claimed design.

1 Claim, 2 Drawing Sheets

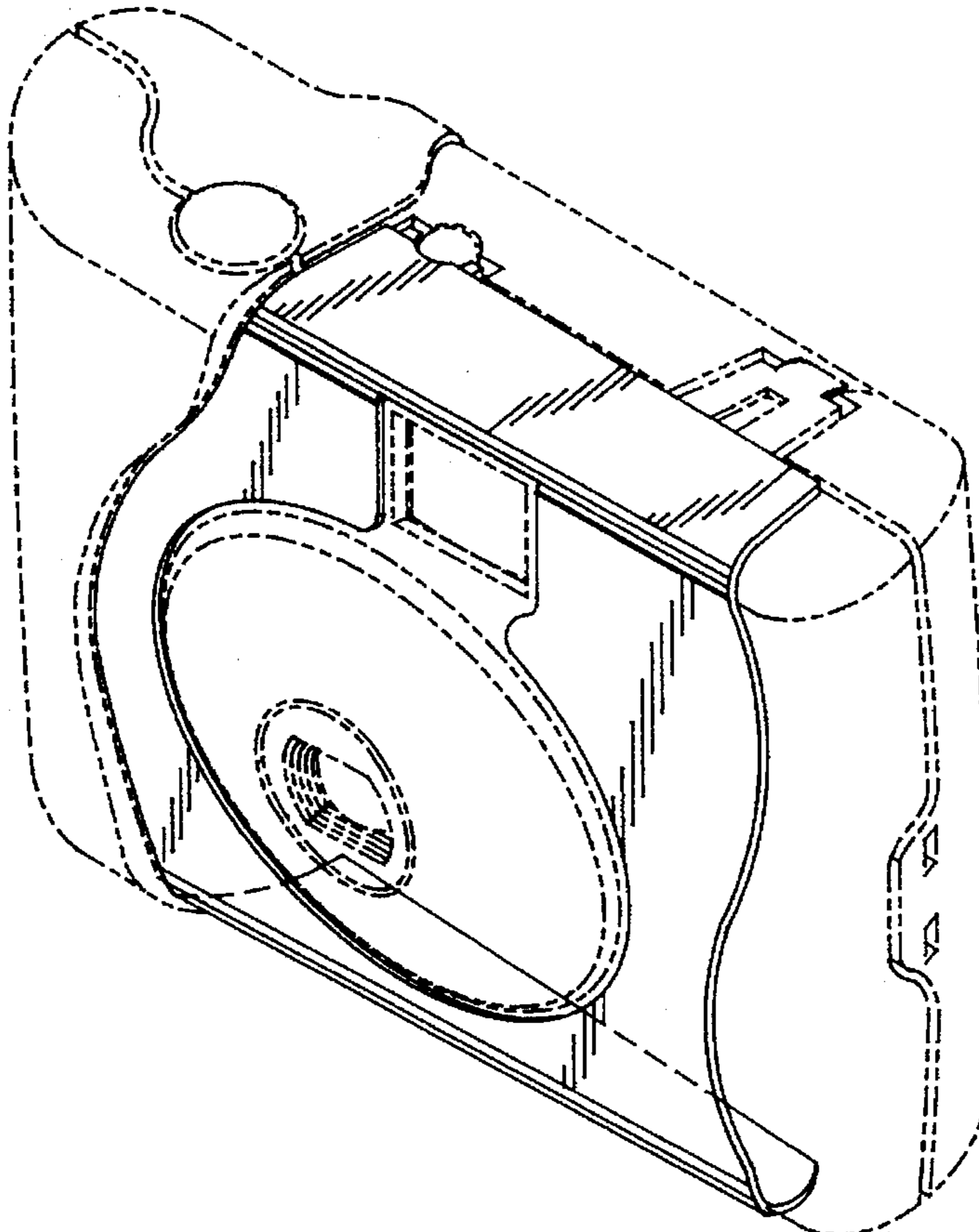




FIG. 3

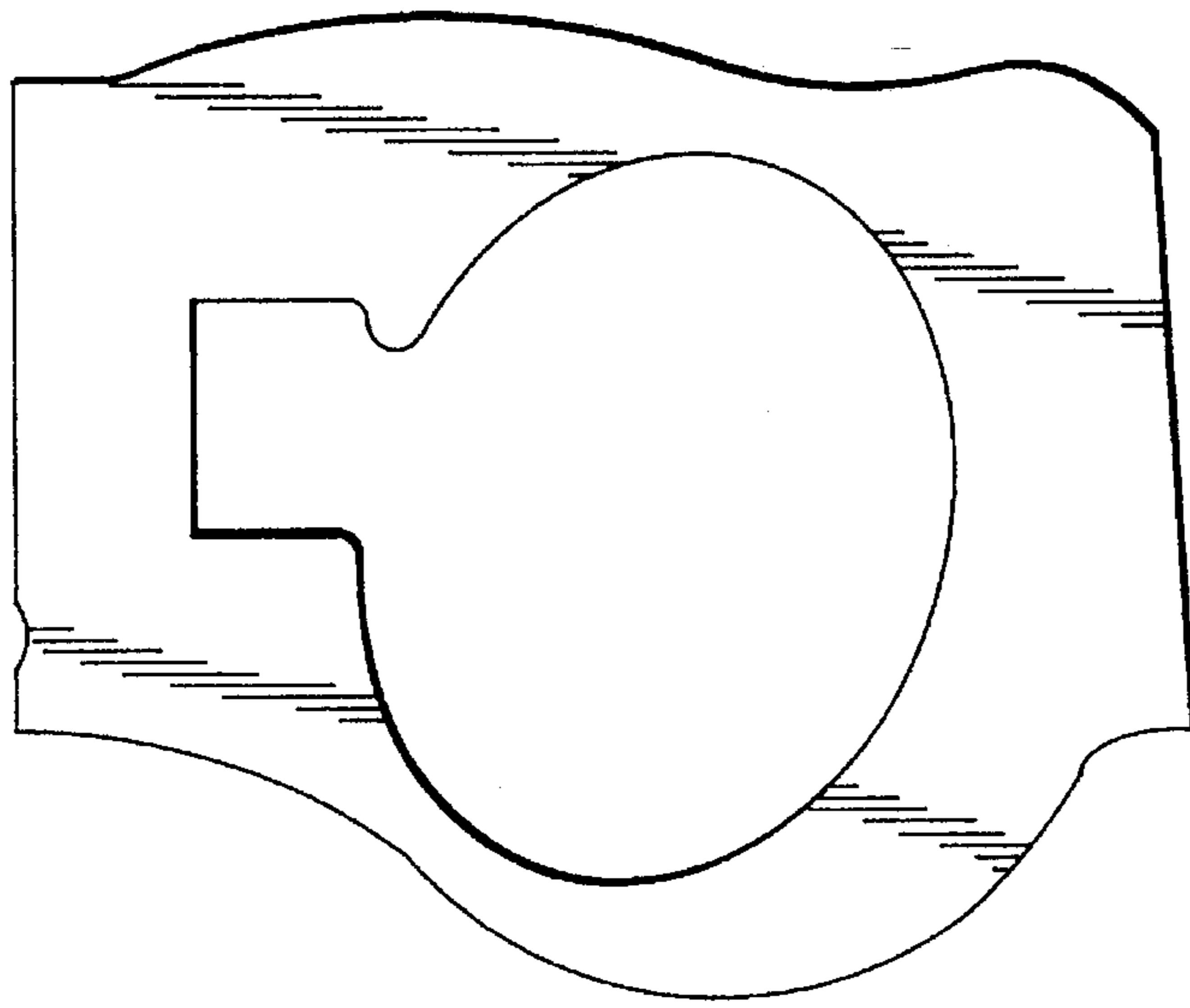


FIG. 1



FIG. 5



FIG. 4



FIG. 2

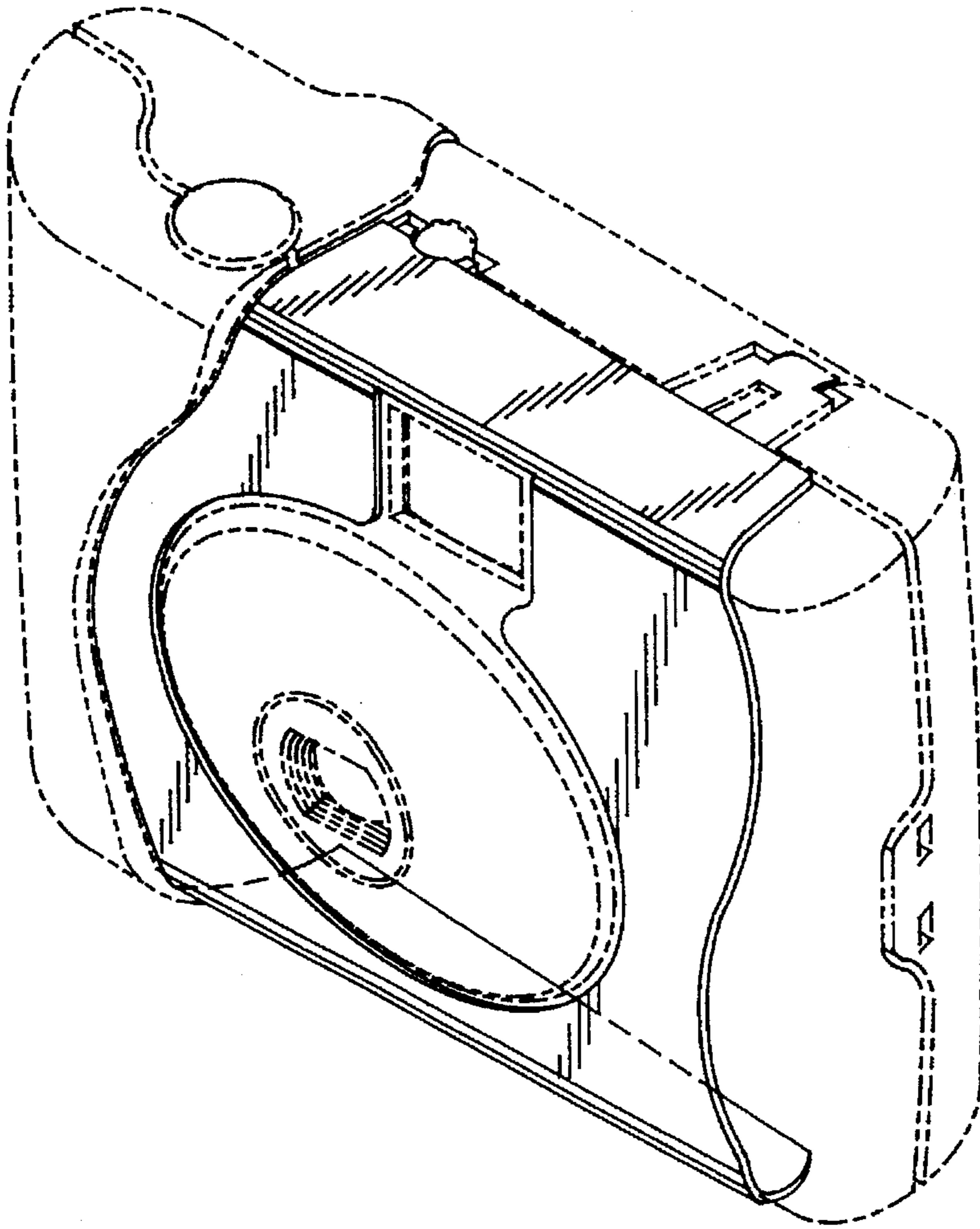


FIG. 6