



US00D375511S

United States Patent [19]

Horikiri

[11] Patent Number: **Des. 375,511**

[45] Date of Patent: ****Nov. 12, 1996**

[54] CAMERA

[75] Inventor: **Kazuhisa Horikiri**, Tokyo, Japan

[73] Assignee: **Fuji Photo Film Co., Ltd.**, Kanagawa, Japan

[**] Term: **14 Years**

[21] Appl. No.: **34,741**

[22] Filed: **Feb. 10, 1995**

[30] Foreign Application Priority Data

Aug. 10, 1994 [JP] Japan 6-24133

[52] U.S. Cl. **D16/209**; D16/217

[58] Field of Search D16/200-205,
D16/208, 209, 211-213, 216-218; 354/126,
149.11, 202, 288

[56] References Cited

U.S. PATENT DOCUMENTS

D. 319,452	8/1991	Shiiba	D16/209
D. 326,466	5/1992	Yu	D16/209
D. 342,962	1/1994	Horikiri	D16/209
D. 347,444	5/1994	Horikiri	D16/209
D. 359,501	6/1995	Hamamura	D16/209

D. 365,355	12/1995	Horikiri et al.	D16/209
4,556,304	12/1985	Fukuda	354/288

OTHER PUBLICATIONS

35 MM Photography, Sep. 1985 p. 35(Zeiss 35 AF).

Primary Examiner—Ted Shooman
Assistant Examiner—Adir Aronovich
Attorney, Agent, or Firm—Young & Thompson

[57] CLAIM

The ornamental design for a camera, as shown and described.

DESCRIPTION

FIG. 1 is a front, top and side perspective view of a camera showing my new design;
FIG. 2 is a front elevational view thereof;
FIG. 3 is a rear elevational view thereof;
FIG. 4 is a top plan view thereof;
FIG. 5 is a bottom plan view thereof;
FIG. 6 is an end view thereof from the left of FIG. 2;
FIG. 7 is an end view thereof from the right of FIG. 2; and,
FIG. 8 is a view similar to FIG. 2 but with a lens protector in a closed position.

1 Claim, 4 Drawing Sheets

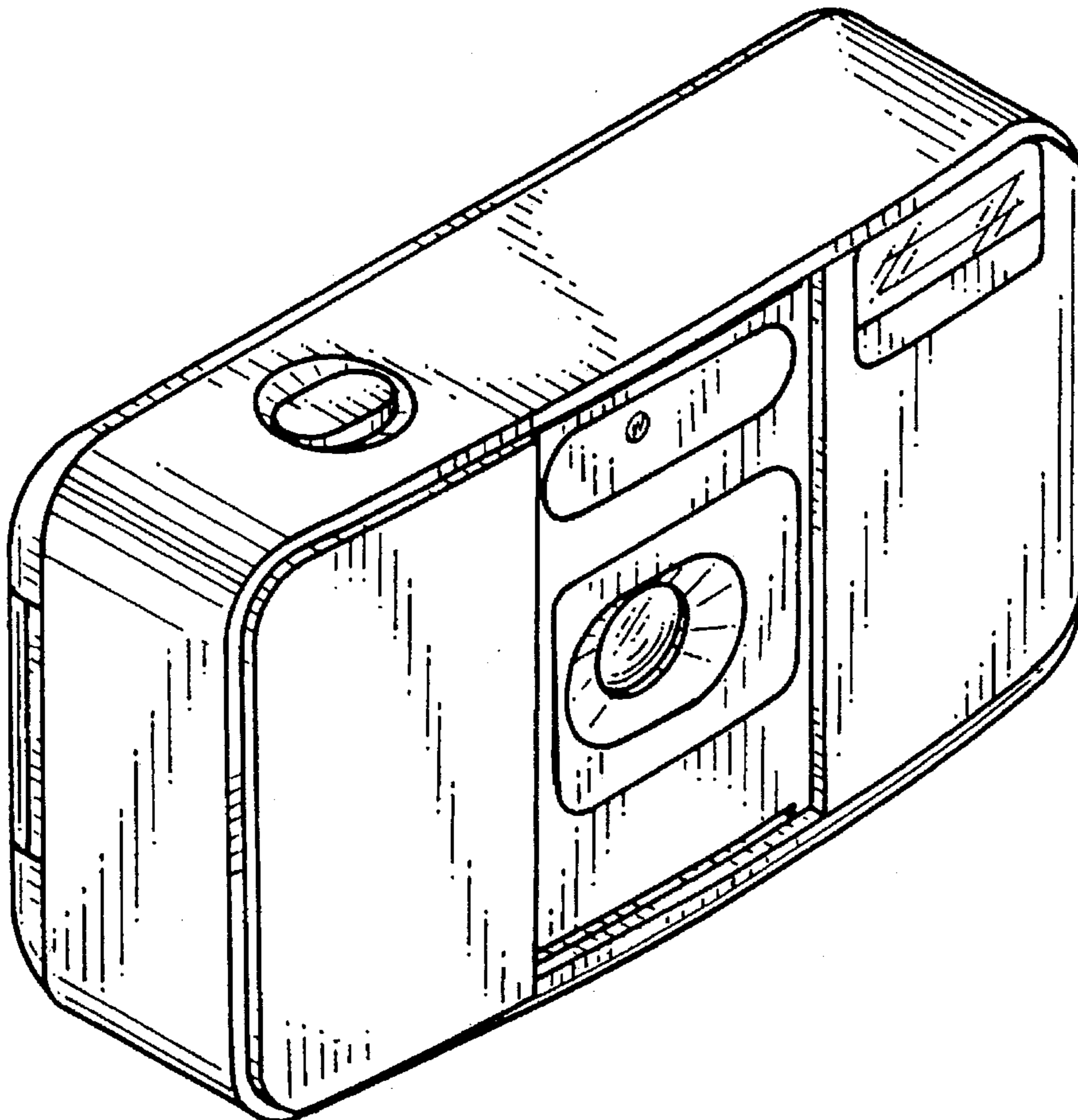


FIG. 1

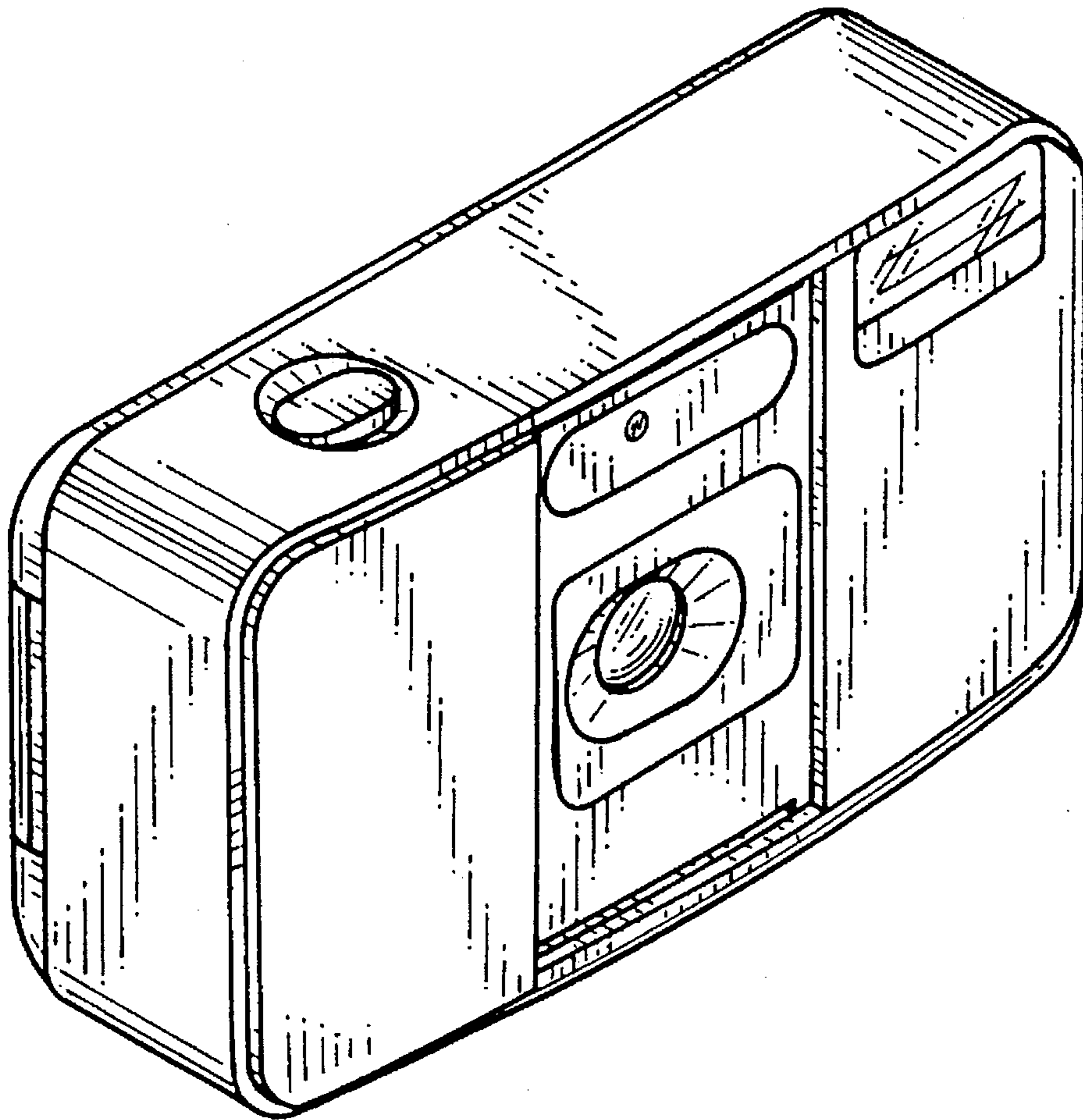


FIG. 2

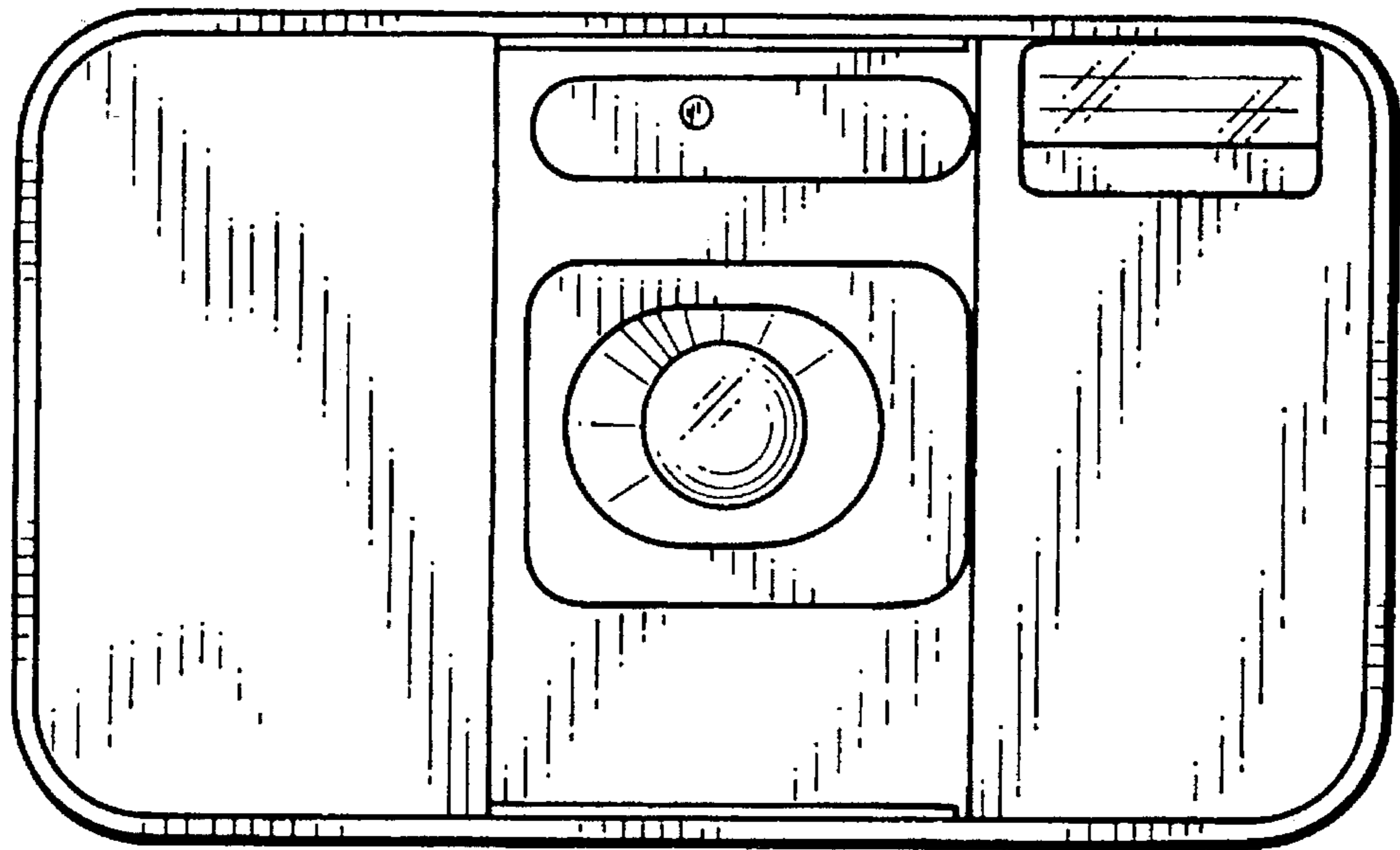


FIG. 3

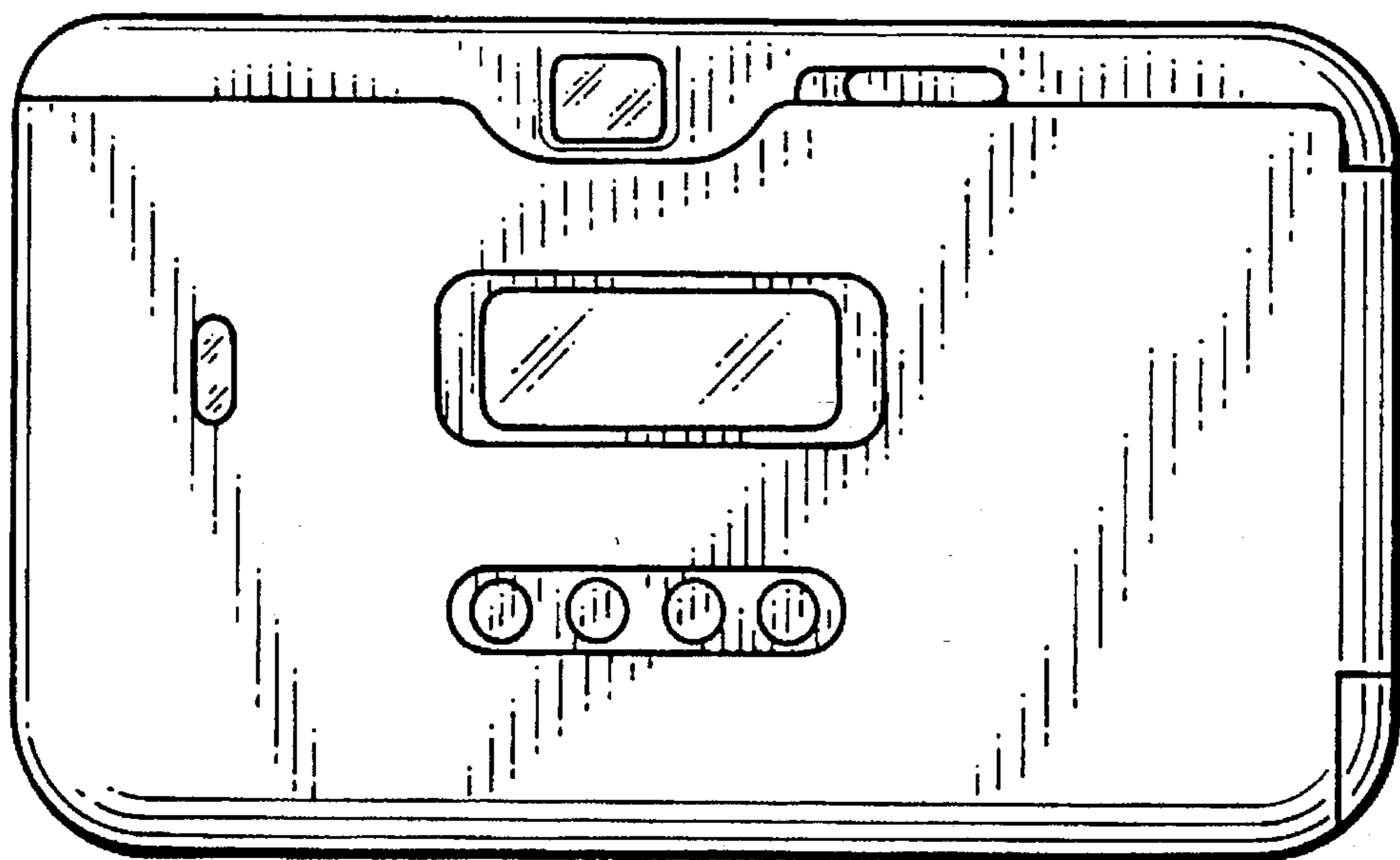


FIG. 4

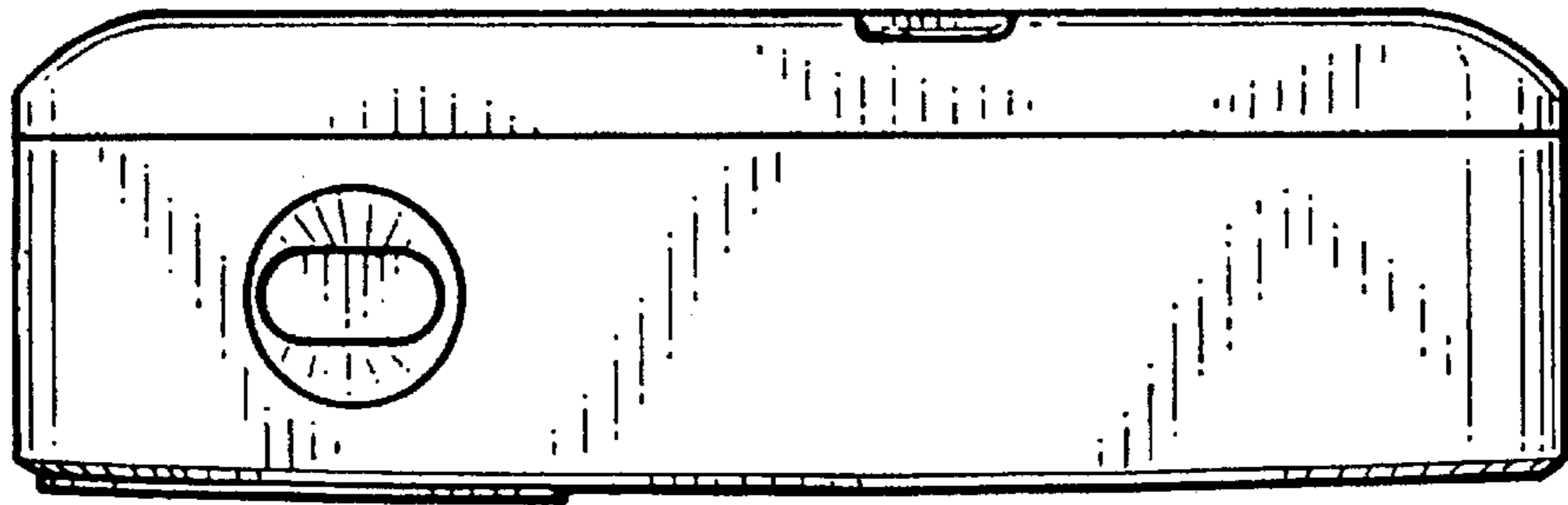


FIG. 5

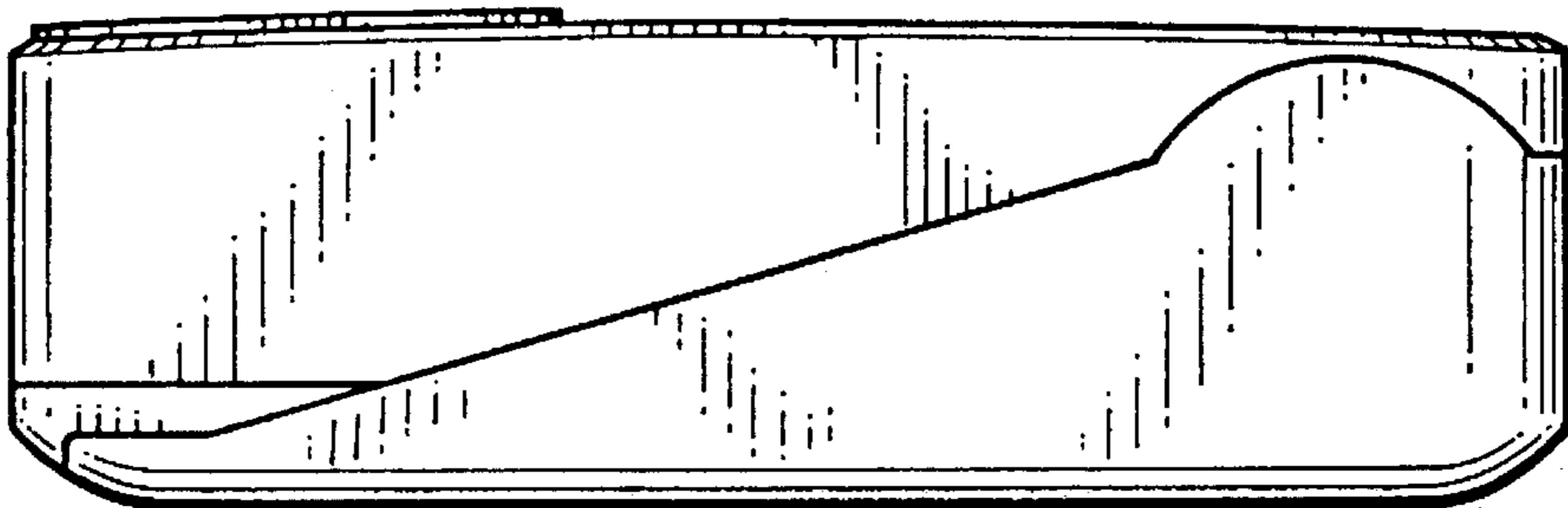


FIG. 6

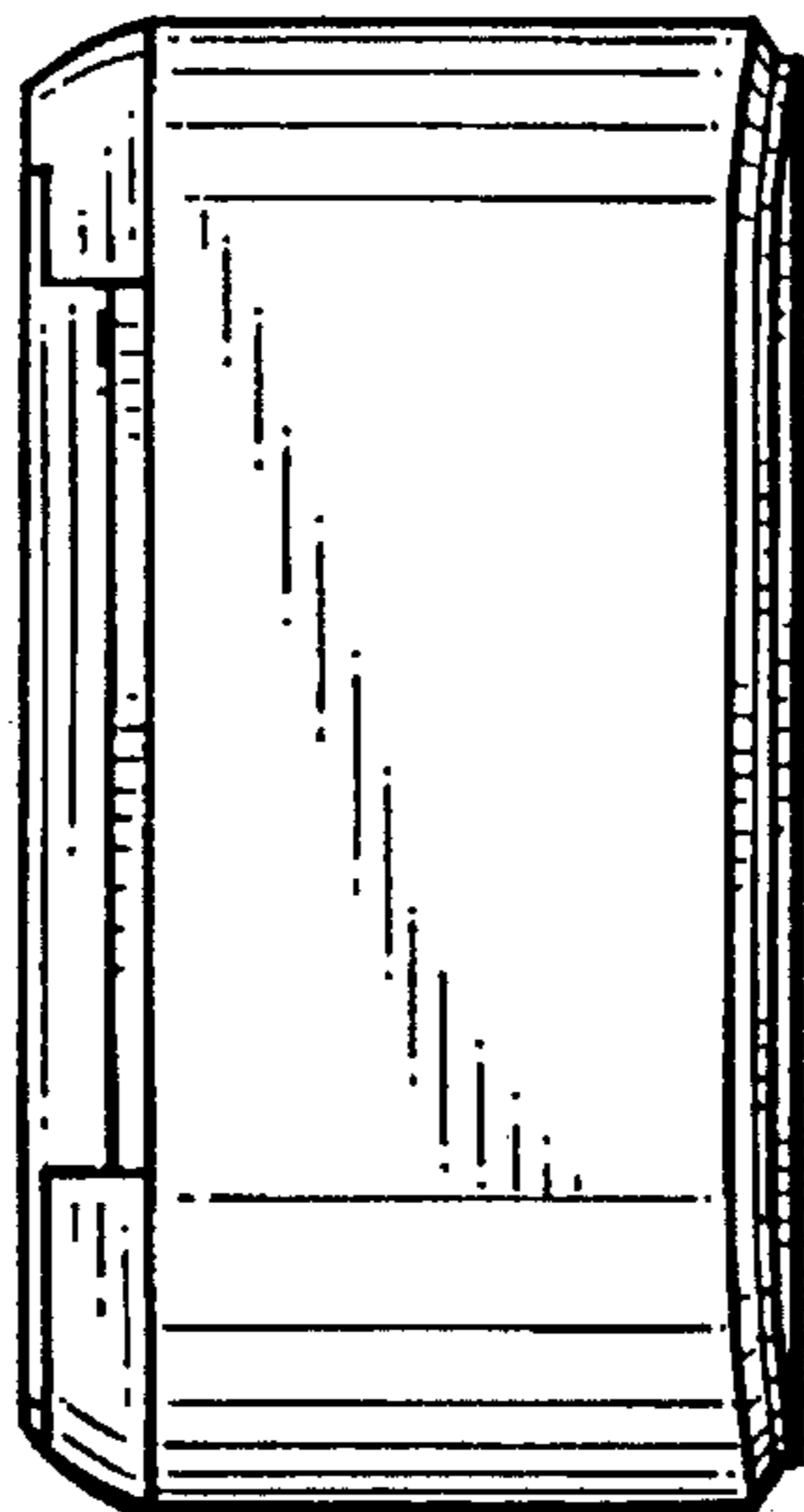


FIG. 7

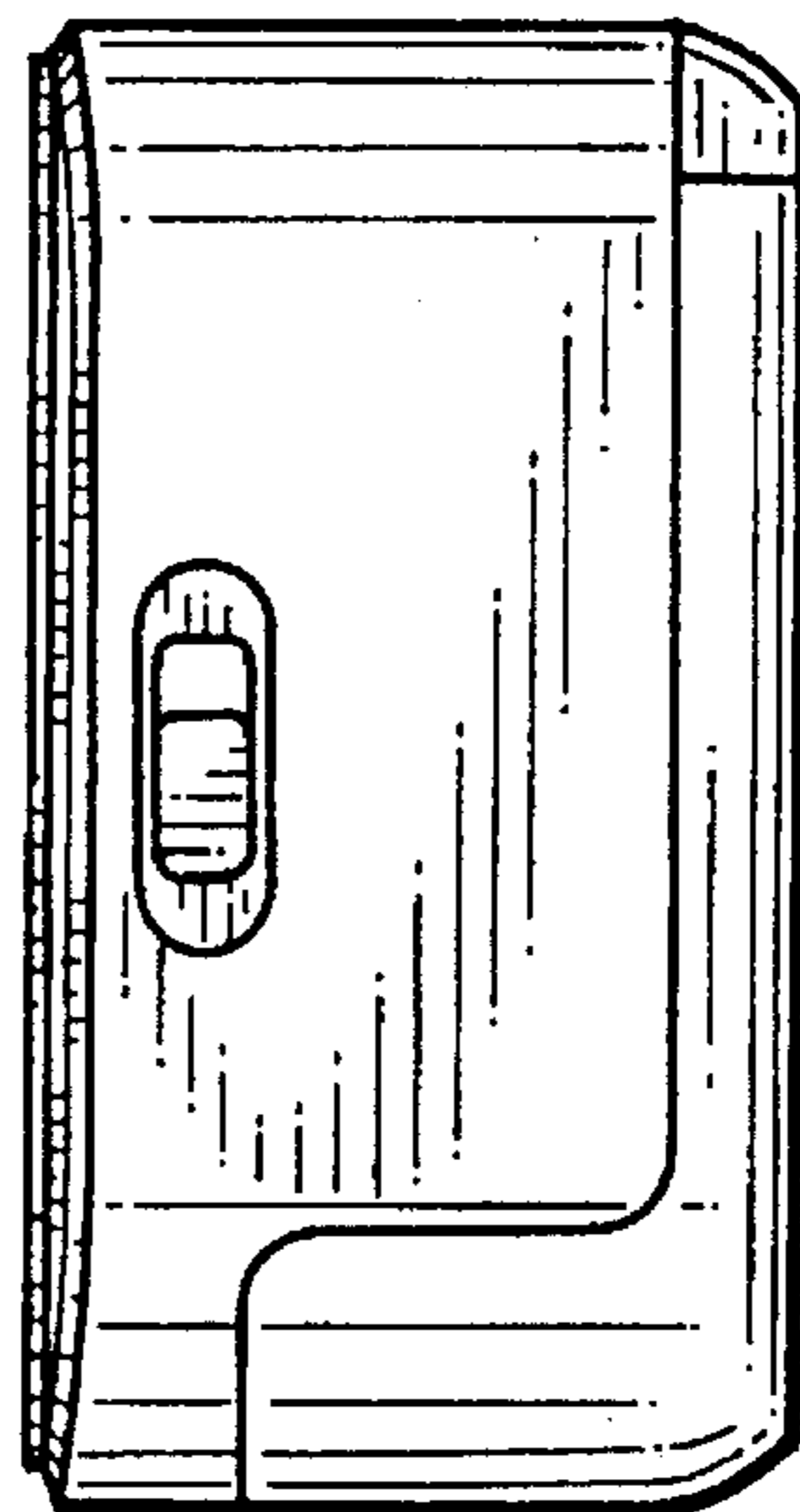


FIG. 8

