



US00D375508S

# United States Patent [19]

Shiino et al.

[11] Patent Number: **Des. 375,508**

[45] Date of Patent: **\*\*Nov. 12, 1996**

[54] **RODLESS CYLINDER WITH A MOVABLE TABLE**

[75] Inventors: **Masatoshi Shiino**, Kakamihara; **Terumasa Takeuchi**, Aichi-ken; **Osamu Fushihara**, Nagoya, all of Japan

[73] Assignee: **CKD Corporation**, Aichi, Japan

[\*\*] Term: **14 Years**

[21] Appl. No.: **46,417**

[22] Filed: **Nov. 14, 1995**

### Related U.S. Application Data

[62] Division of Ser. No. 34,164, Jan. 27, 1995, Pat. No. Des. 367,863.

### [30] Foreign Application Priority Data

Jul. 29, 1994 [JP] Japan ..... 6-23011  
Jul. 29, 1994 [JP] Japan ..... 6-23012

[52] U.S. Cl. .... **D15/143; D15/5**

[58] Field of Search ..... D15/5, 143; 92/13.5, 92/88, 5 R, 165 R, 146, 161; 277/DIG. 7; 384/43, 49

### [56] References Cited

#### U.S. PATENT DOCUMENTS

D. 317,922 7/1991 Toyoda et al. .... D15/5

D. 329,434 9/1992 Toyoda et al. .... D15/5  
D. 365,352 12/1995 Miyamoto et al. .... D15/199 X  
D. 392,434 9/1992 Toyoda et al. .... D15/5  
5,335,583 8/1994 Kaneko et al. .... 92/13.5  
5,469,775 11/1995 Stoll et al. .... 92/88  
5,483,868 1/1996 Green ..... 92/88

*Primary Examiner*—Antoine Duval Davis  
*Attorney, Agent, or Firm*—Nawrocki, Rooney & Sivertson, P.A.

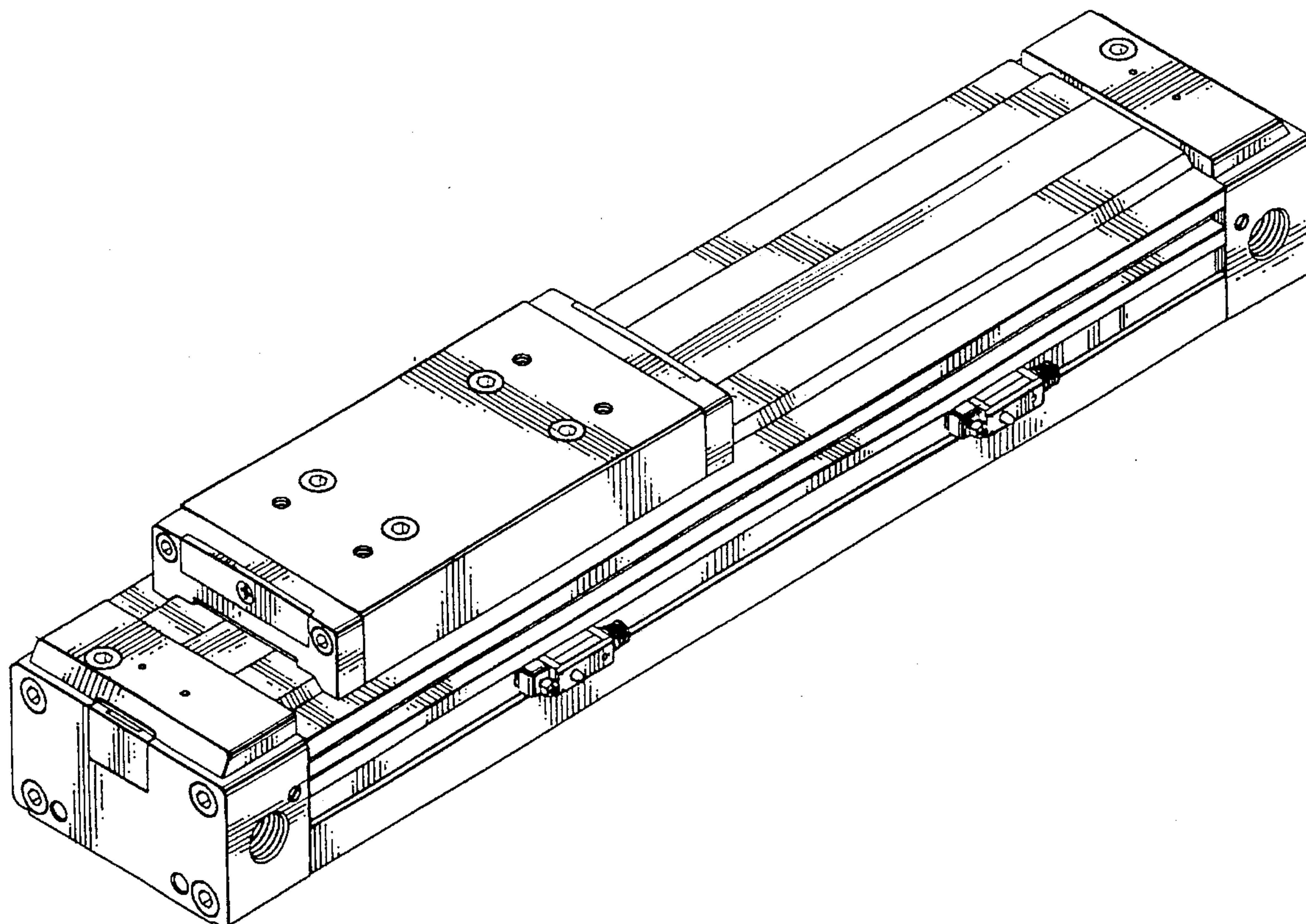
### [57] CLAIM

The ornamental design for a rodless cylinder, with a movable table, as shown and described.

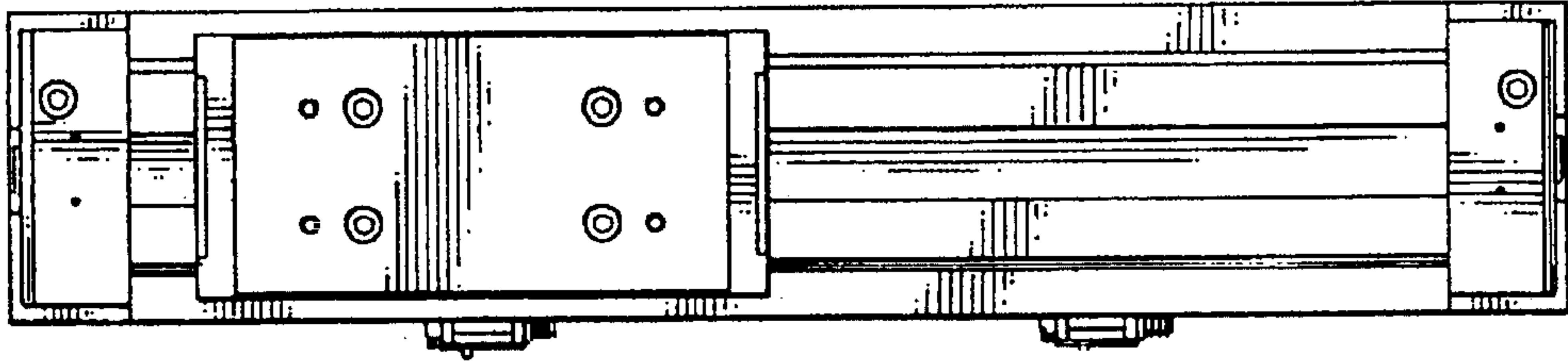
### DESCRIPTION

FIG. 1 is a top plan view of a rodless cylinder; FIG. 2 is a front elevational view thereof, showing a table located at a left end within its movable range; FIG. 3 is a bottom plan view thereof; FIG. 4 is a rear elevational view thereof; FIG. 5 is a left side elevational view thereof; FIG. 6 is a right side elevational view thereof; FIG. 7 is a perspective view thereof; and, FIG. 8 is a front elevational view thereof, showing the table located at a right end within its movable range.

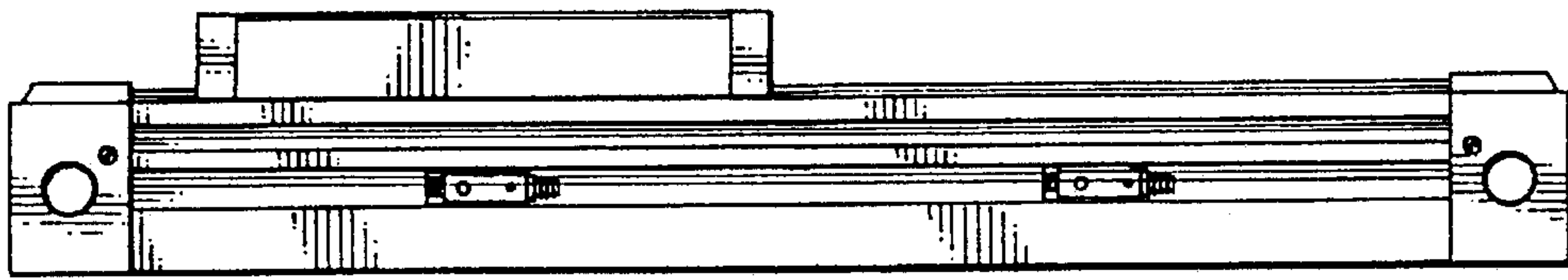
**1 Claim, 3 Drawing Sheets**



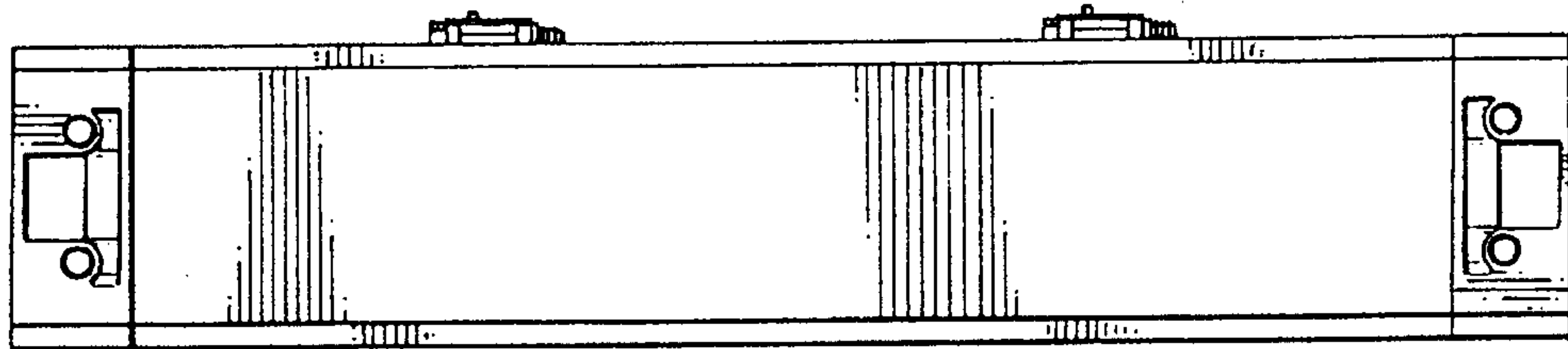
*Fig. 1*



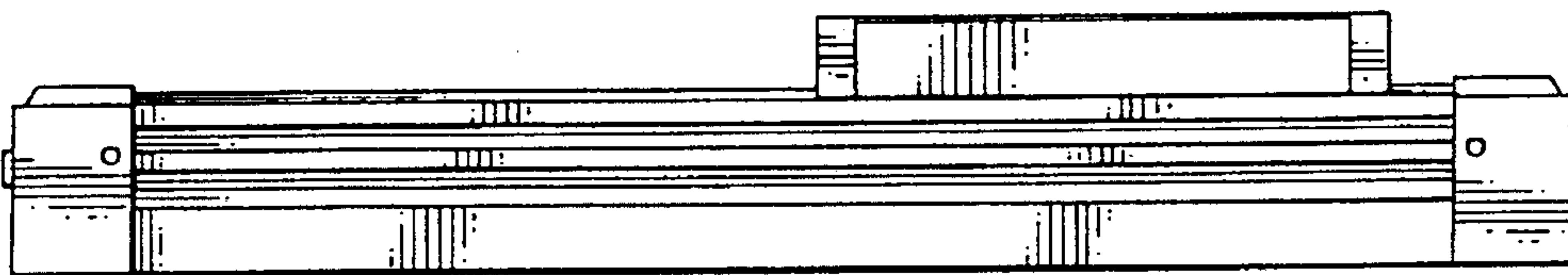
*Fig. 2*



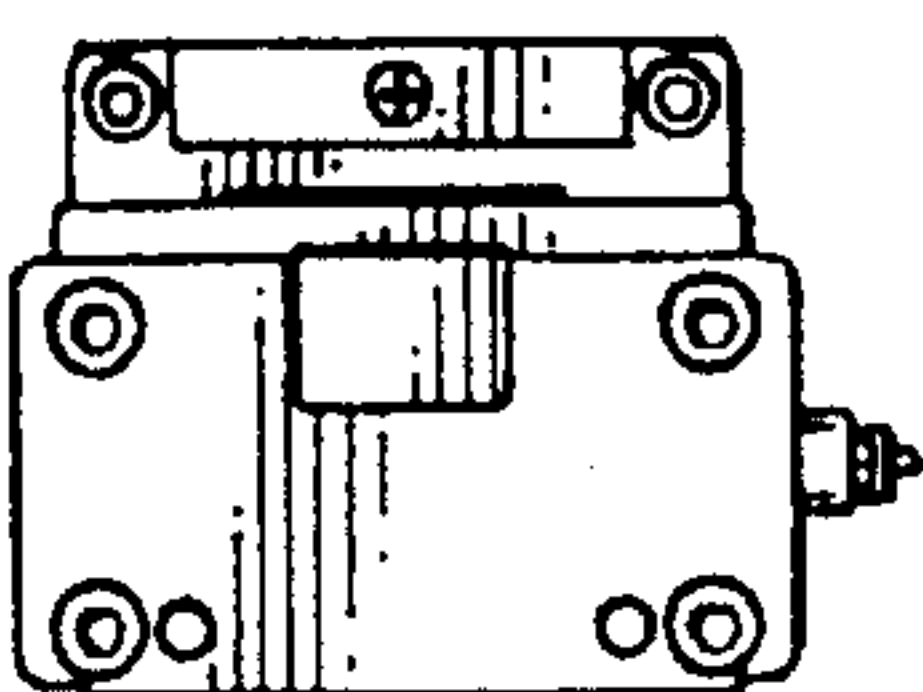
*Fig. 3*



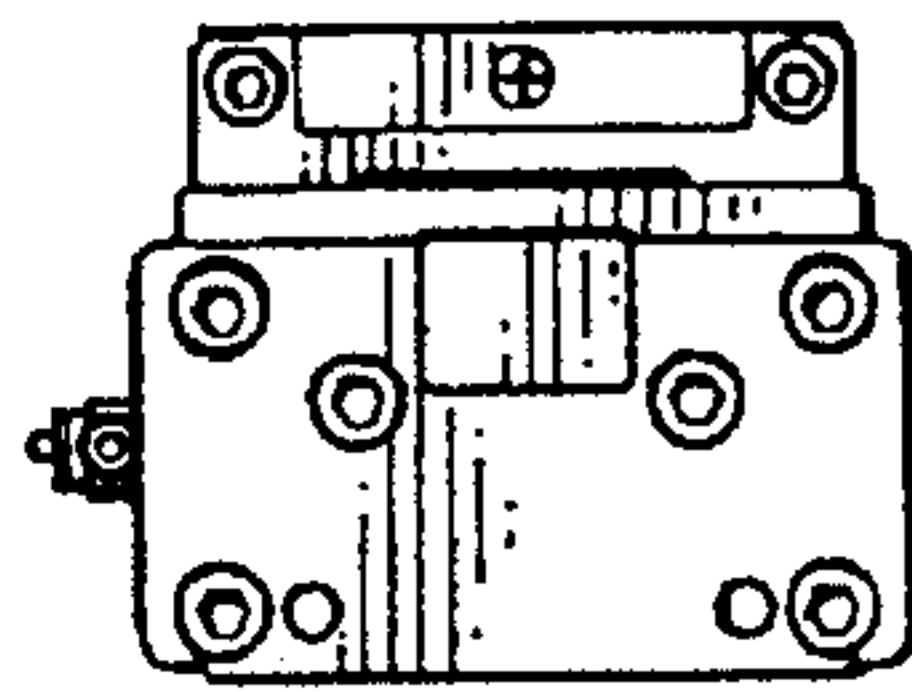
*Fig. 4*



*Fig. 5*

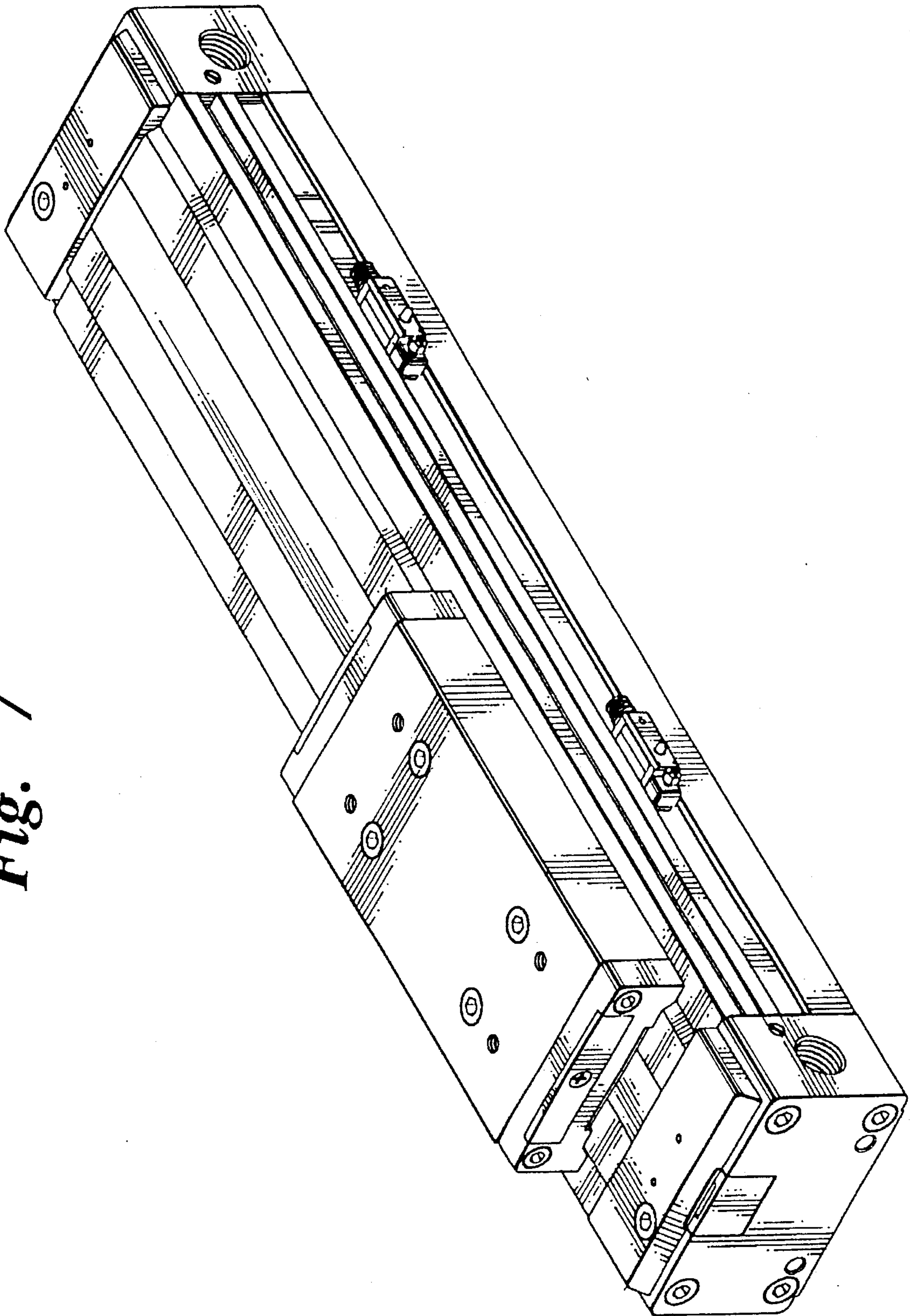


*Fig. 6*





*Fig. 7*



*Fig. 8*

