



US00D375507S

United States Patent [19]

[11] Patent Number: **Des. 375,507**

Hsu

[45] Date of Patent: ****Nov. 12, 1996**

[54] TELESCOPE SUPPORTING STAND

[76] Inventor: **Ching-Chun Hsu**, No. 24, She-Tzu, Hsin-Wu Hsiang, Taoyuan Hsien, Taiwan

[**] Term: **14 Years**

[21] Appl. No.: **40,537**

[22] Filed: **Jun. 21, 1995**

Related U.S. Application Data

- [63] Continuation of Ser. No. 297,898, Aug. 30, 1994.
- [52] U.S. Cl. **D16/132**; D16/130
- [58] Field of Search D16/130, 132, D16/242, 244, 245; 248/163.1, 168, 169, 177.1; 352/243; 354/81, 293; 359/399, 405

[56] References Cited

U.S. PATENT DOCUMENTS

D. 264,728	6/1982	Iwasaki	D16/244
765,980	7/1904	Mercier	354/293
4,474,439	10/1984	Brown	354/293 X

FOREIGN PATENT DOCUMENTS

7784 of 1891 United Kingdom 354/293

OTHER PUBLICATIONS

Popular Science, Sep. 1991, p. 18, "Dial-A-Star", center of page.

The Sharper Image, Fall 1982, p. 21, "Tasco Reflector", center of page.

Primary Examiner—Louis S. Zarfes

Assistant Examiner—Monica A. Hannon

Attorney, Agent, or Firm—Beveridge, DeGrandi, Weilacher & Young, LLP

[57] CLAIM

The ornamental design for a telescope supporting stand, as shown and described.

DESCRIPTION

FIG. 1 is a perspective view of a telescope supporting stand showing my new design;

FIG. 2 is a front view thereof;

FIG. 3 is a rear elevation view thereof;

FIG. 4 is a left side view thereof;

FIG. 5 is a right side view thereof;

FIG. 6 is a top view thereof; and,

FIG. 7 is a bottom view thereof.

1 Claim, 7 Drawing Sheets

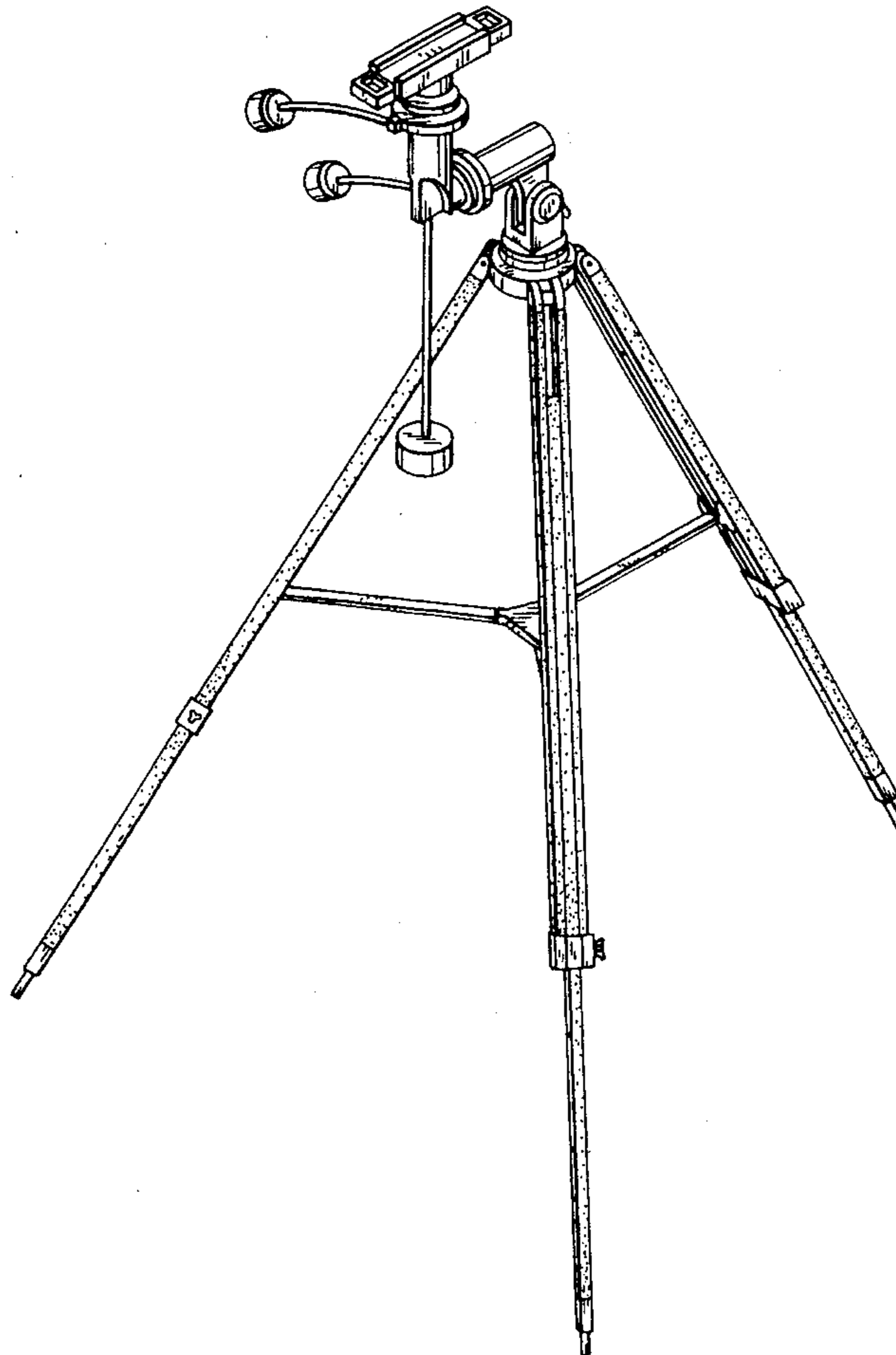


FIG. 1

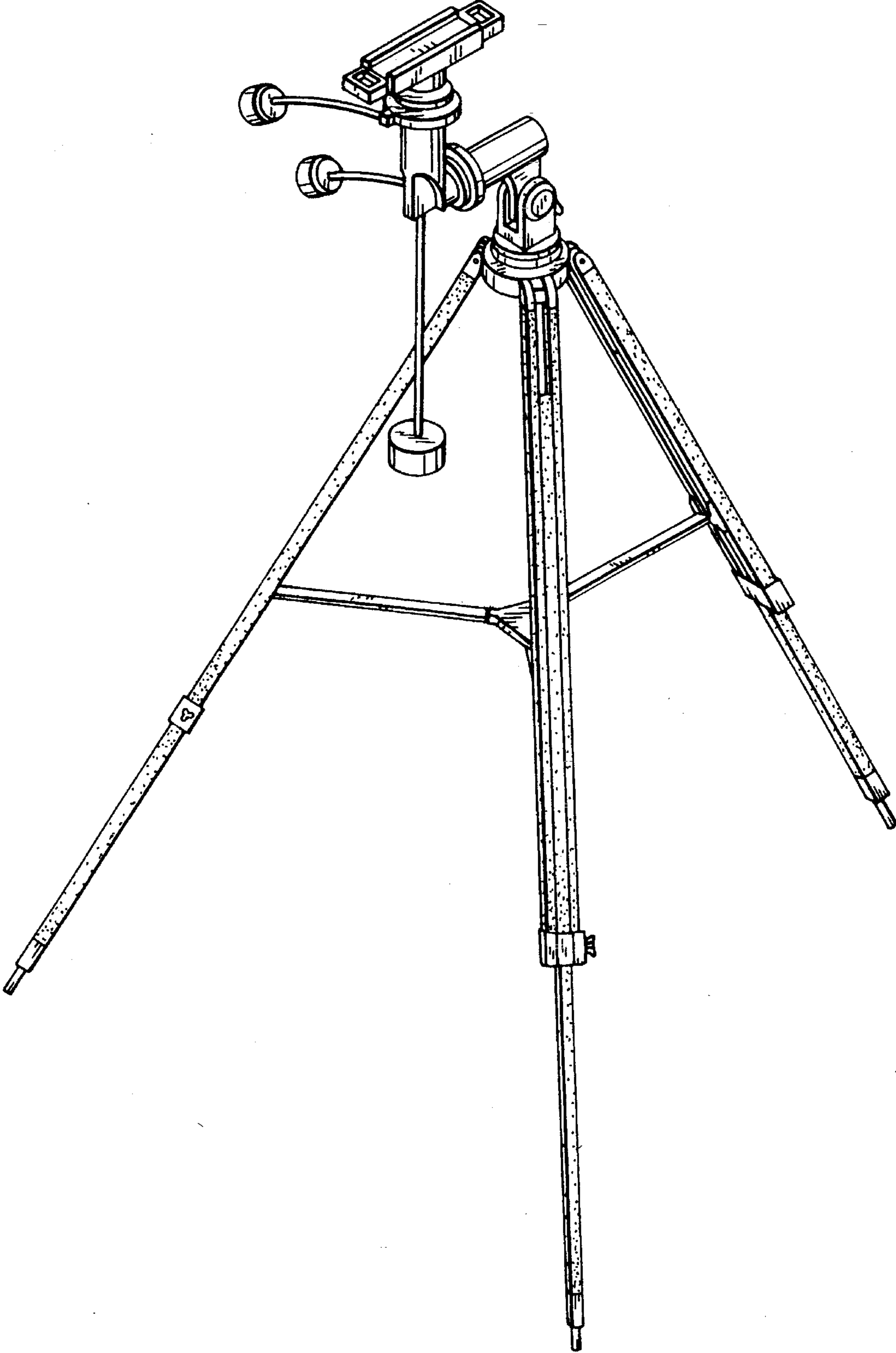


FIG. 2

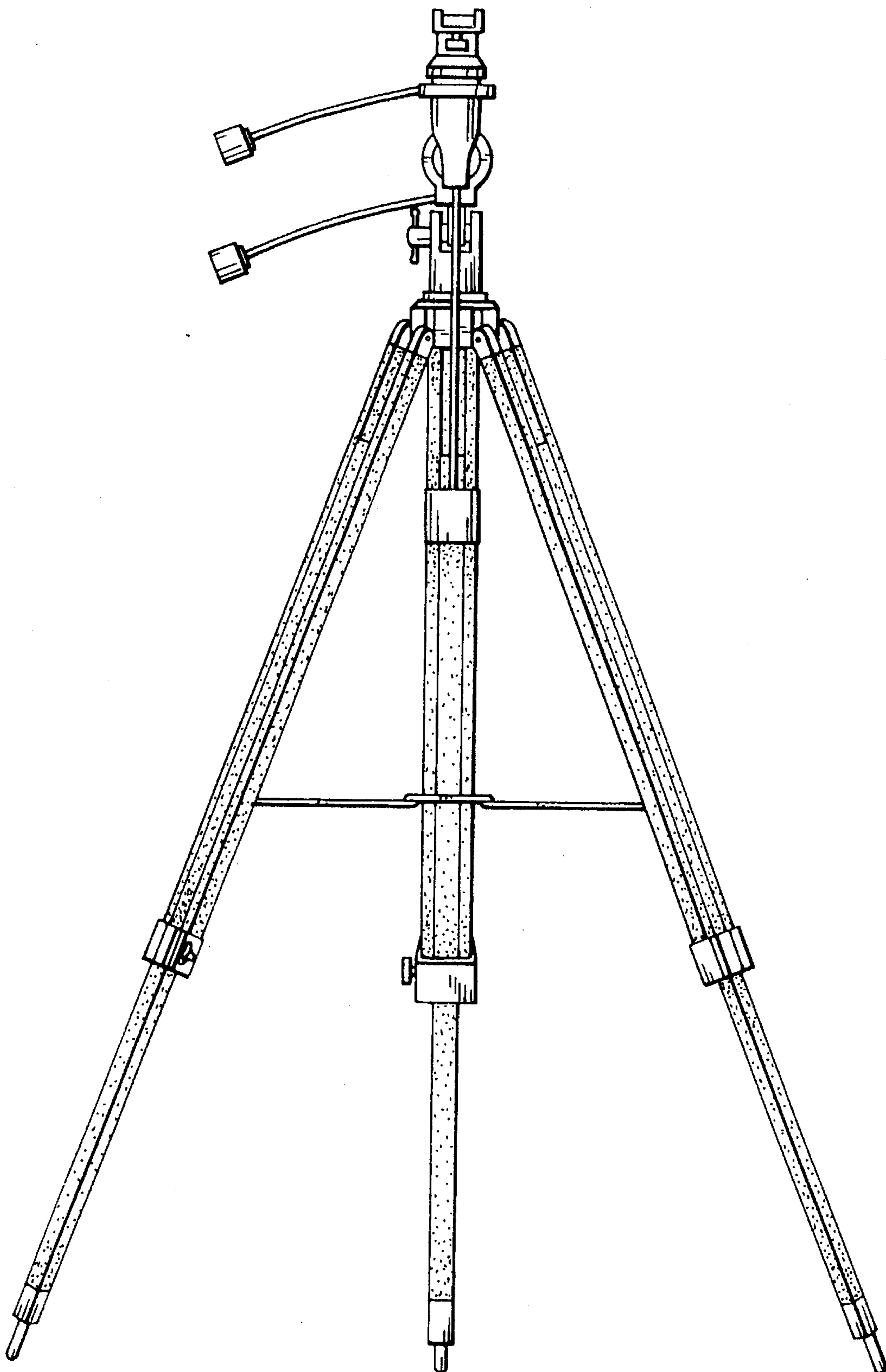


FIG. 3

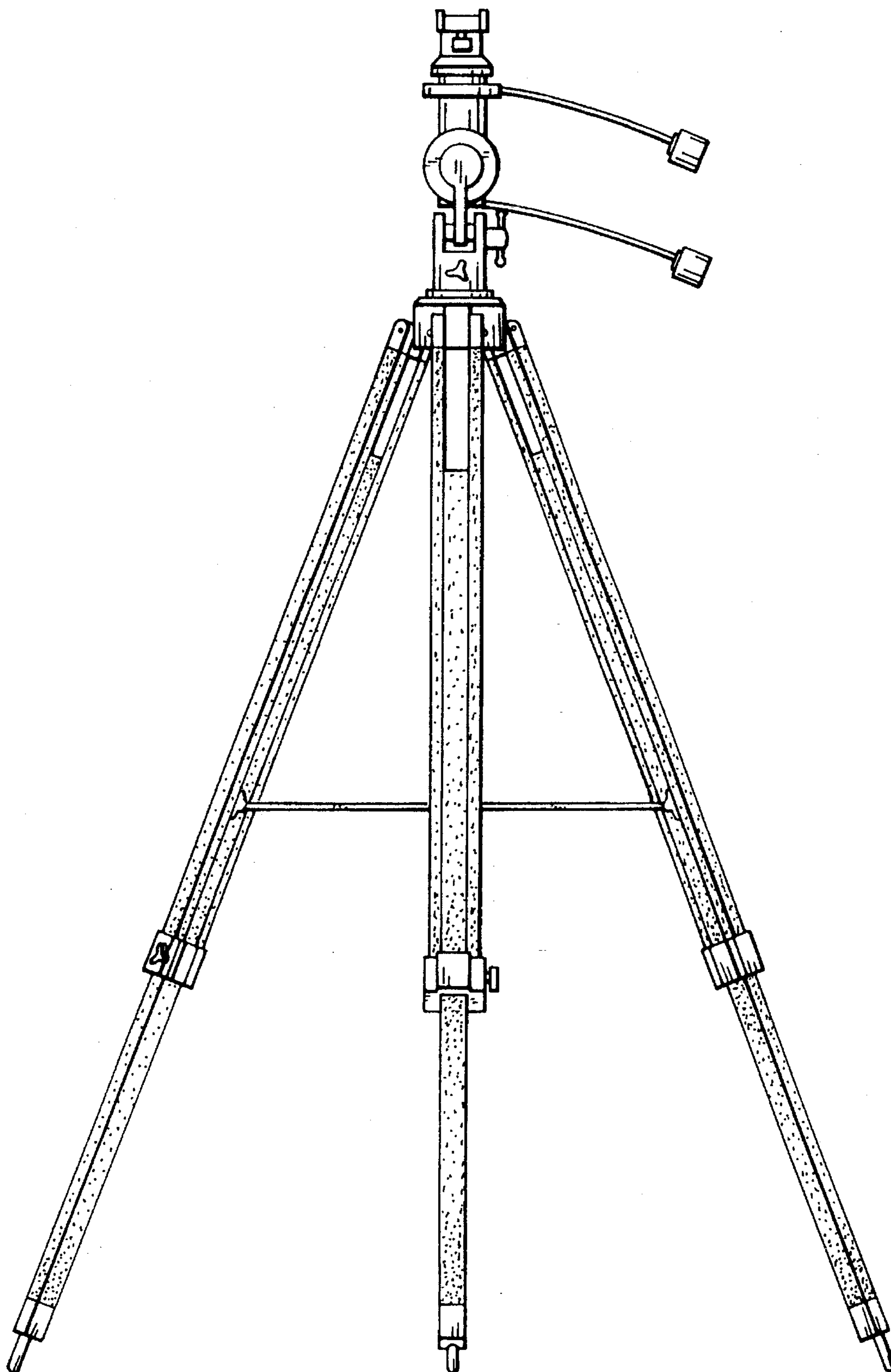


FIG. 4

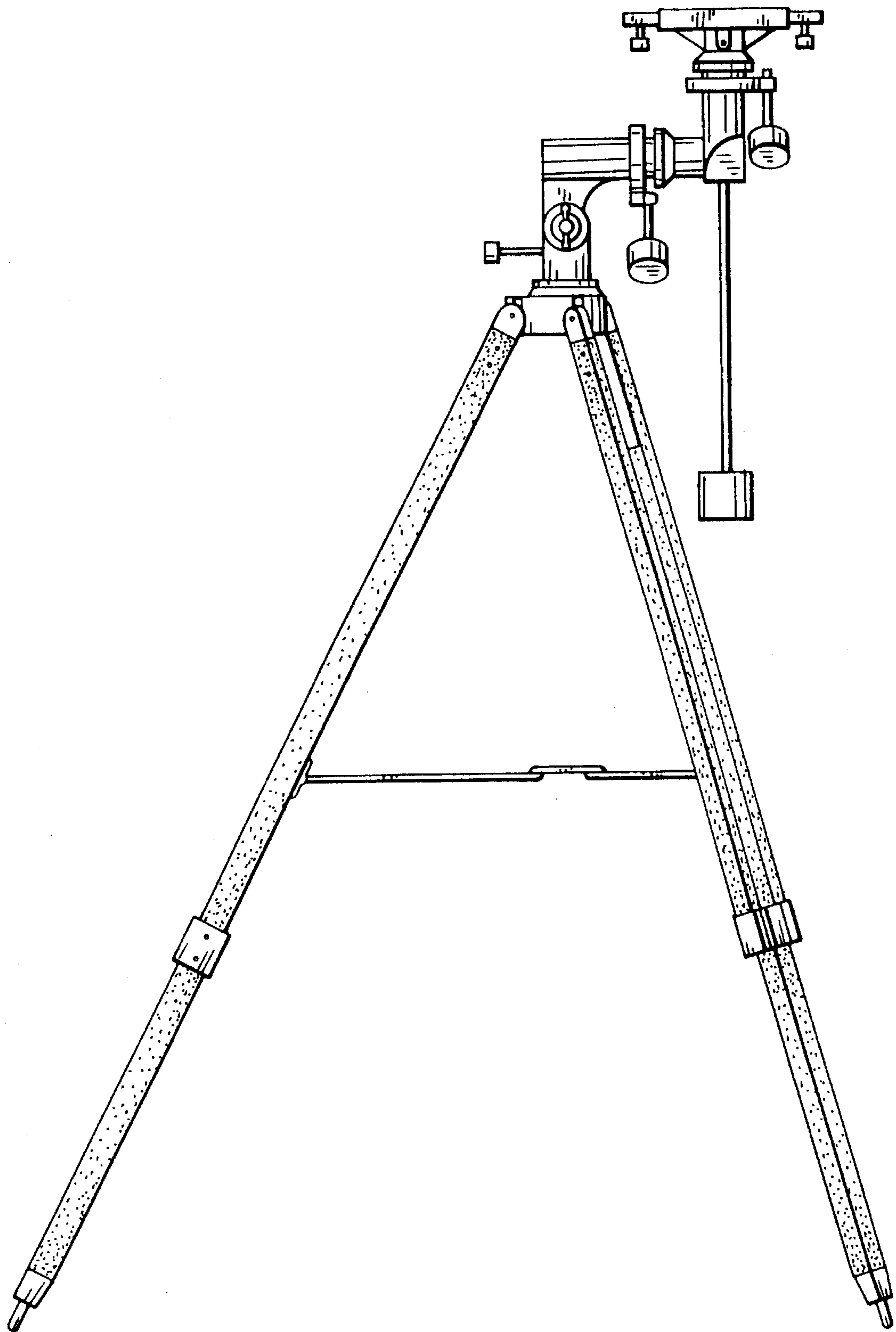


FIG. 5

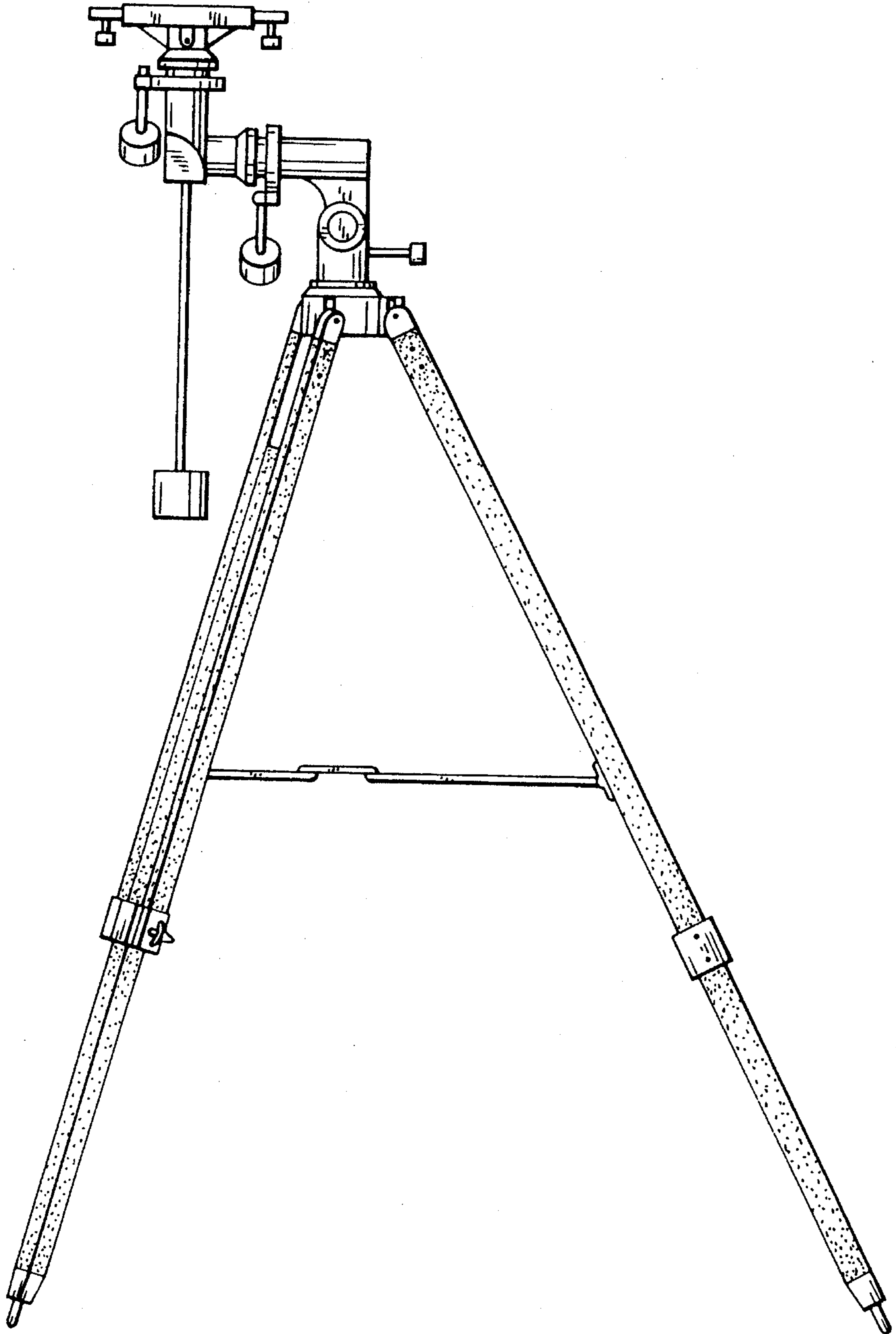


FIG. 6

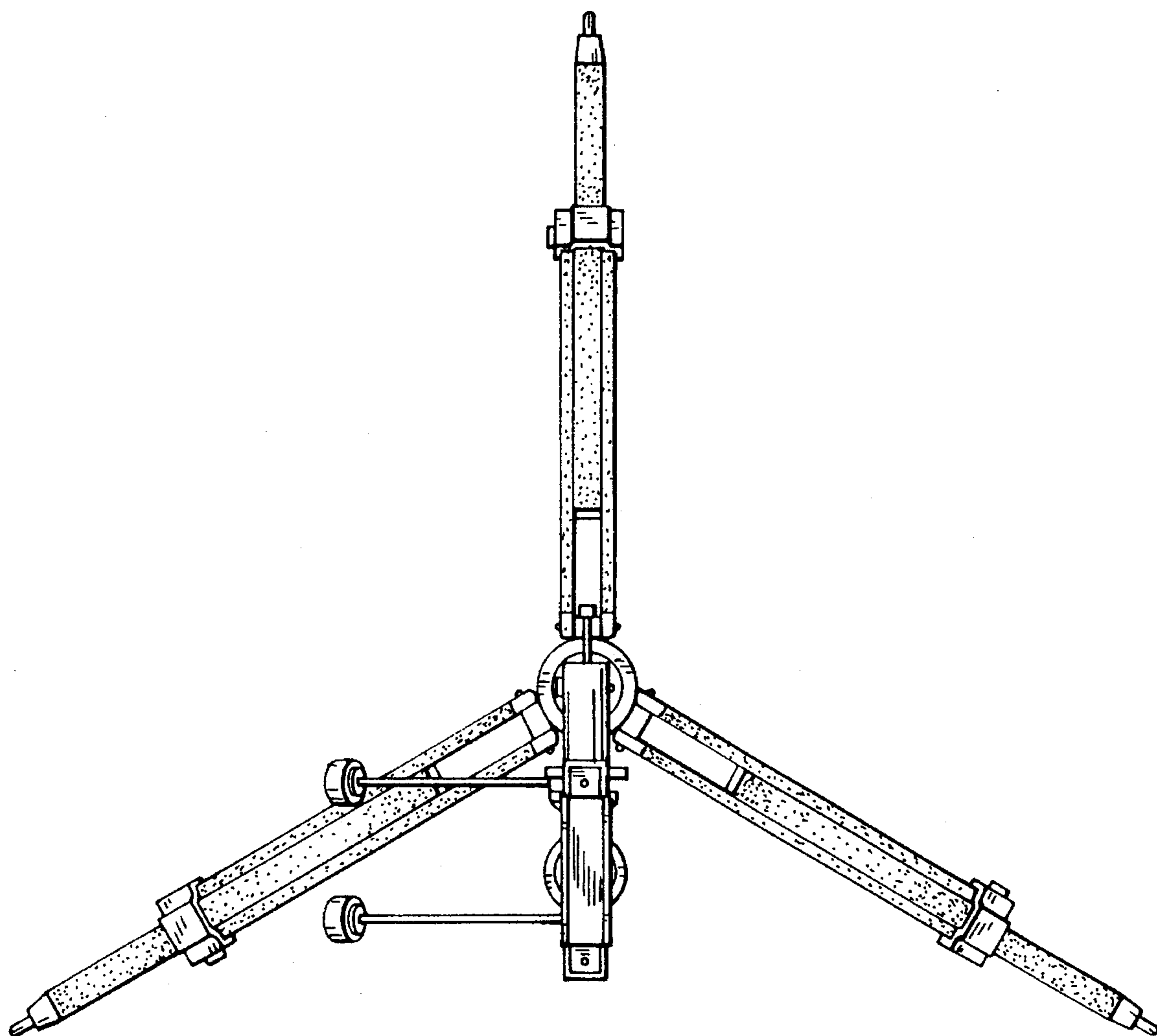


FIG. 7

