



US00D375506S

# United States Patent [19]

[11]- Patent Number: **Des. 375,506**

**Bastian et al.**

[45] Date of Patent: **\*\*Nov. 12, 1996**

[54] **WORK MACHINE HAVING ENDLESS GROUND ENGAGING DRIVE BELTS**

D. 314,388	2/1991	Brewer et al.	.....	D15/24
D. 364,408	11/1995	Bryant et al.	.....	D15/25
5,018,591	5/1991	Price	.....	180/9.5

[75] Inventors: **Robert C. Bastian**, Hinckley; **William C. Boroski**, Aurora; **Melvin P. Busch, Jr.**, Peoria; **Elmer R. Crabb**, Aurora; **Patrick W. Friede**, Brimfield; **Alan D. Gustafson**, Leland; **David C. Koch**, Lisle; **Mark D. Miller**, Montgomery; **Jeffrey A. Moore**, Waterman; **James R. Oldham**, St. Charles; **Robert L. Stamate**, Chillicothe; **Samuel B. Stevens**, Pekin, all of Ill.; **Russell W. Strong**, Craftsbury Common, Vt.; **Lynn A. Sutton**, Kewanee; **Joseph M. Tucker, III**, Oswego, both of Ill.

### OTHER PUBLICATIONS

Caterpillar Challenger 65 Brochure, Cover.  
 Progressive Farmer, Dec. 1993 p. 2 White 6100 series tractor.

*Primary Examiner*—Sandra L. Morris  
*Attorney, Agent, or Firm*—Kenneth A. Rhoads

[73] Assignee: **Caterpillar Inc.**, Peoria, Ill.

[\*\*] Term: **14 Years**

[21] Appl. No.: **40,251**

[22] Filed: **May 26, 1995**

### Related U.S. Application Data

[62] Division of Ser. No. 12,145, Aug. 24, 1993, Pat. No. Des. 364,879.

[52] **U.S. Cl.** ..... **D15/24; D15/26**

[58] **Field of Search** ..... **D15/10, 22-26; 180/89.1, 89.12, 900**

### [56] References Cited

#### U.S. PATENT DOCUMENTS

D. 251,845	5/1979	Joupperi et al.	.....	D15/25
D. 256,017	7/1980	Emundts et al.	.....	D15/23
D. 302,276	7/1989	Briggs et al.	.....	D15/24

### [57] CLAIM

The ornamental design for a work machine having endless ground engaging drive belts, as shown and described.

### DESCRIPTION

FIG. 1 is a right side elevational view of a work machine having endless ground engaging drive belts, showing our new design;

FIG. 2 is a left side elevational view thereof;

FIG. 3 is a front elevational view thereof;

FIG. 4 is a rear elevational view thereof;

FIG. 5 is a top plan view thereof;

FIG. 6 is a right side elevational view of a work machine having endless ground engaging drive belts, showing an alternate embodiment thereof;

FIG. 7 is a left side elevational view of the alternate embodiment;

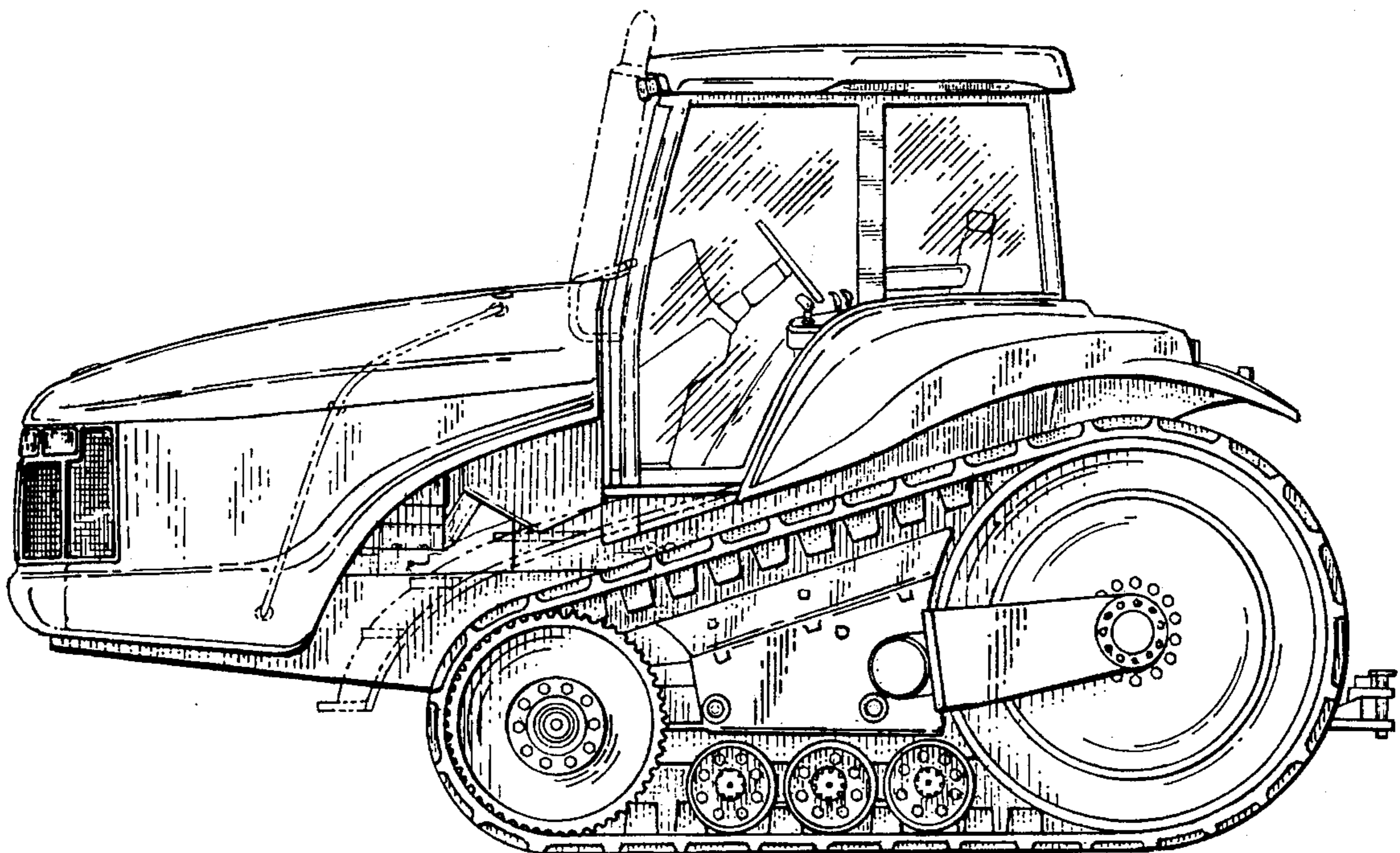
FIG. 8 is a front elevational view of the alternate embodiment;

FIG. 9 is a rear elevational view of the alternate embodiment; and,

FIG. 10 is a top plan view of the alternate embodiment.

The broken line showing is for illustrative purposes only, and forms no part of the claimed design.

**1 Claim, 10 Drawing Sheets**



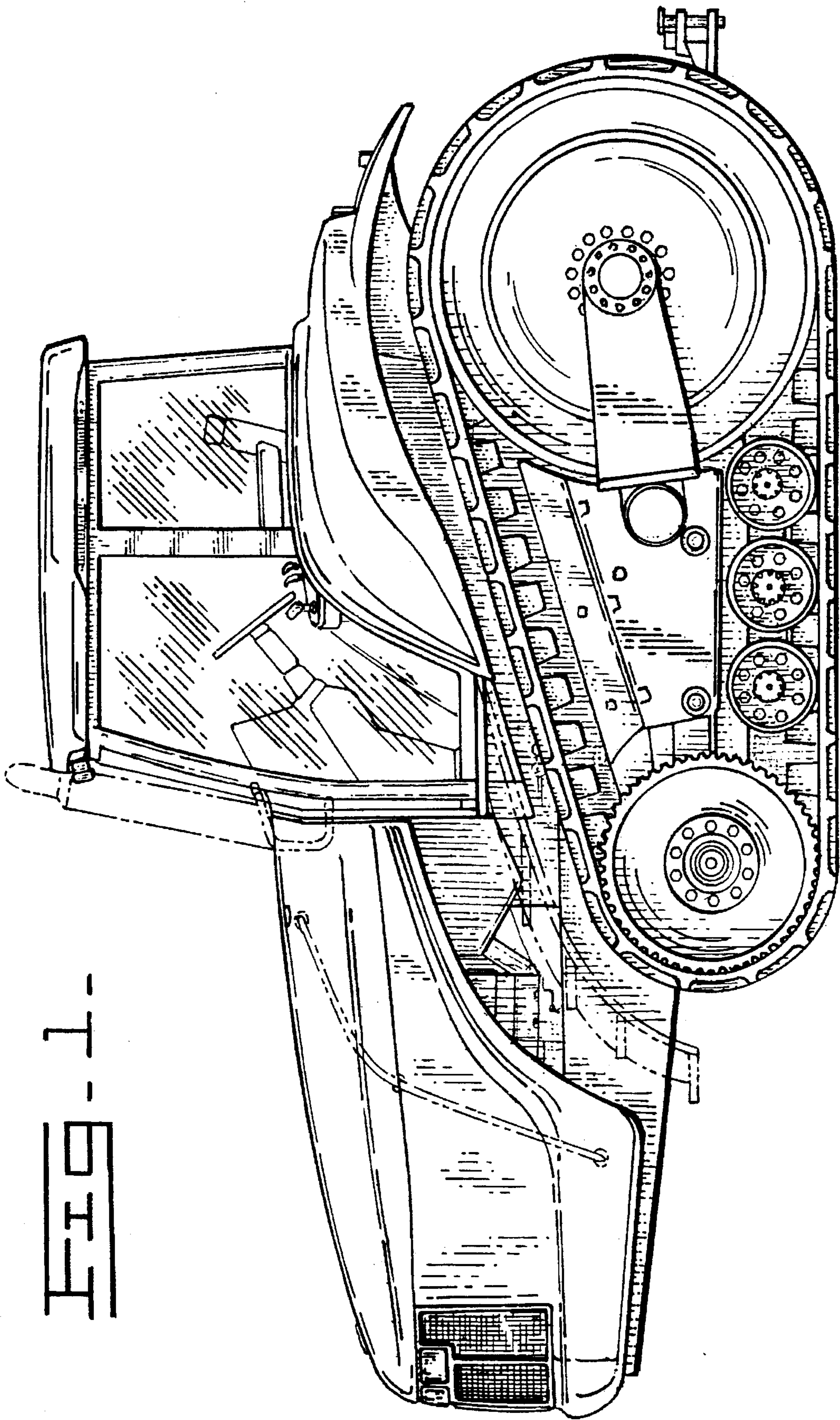


FIG. 1

FIG. 2.

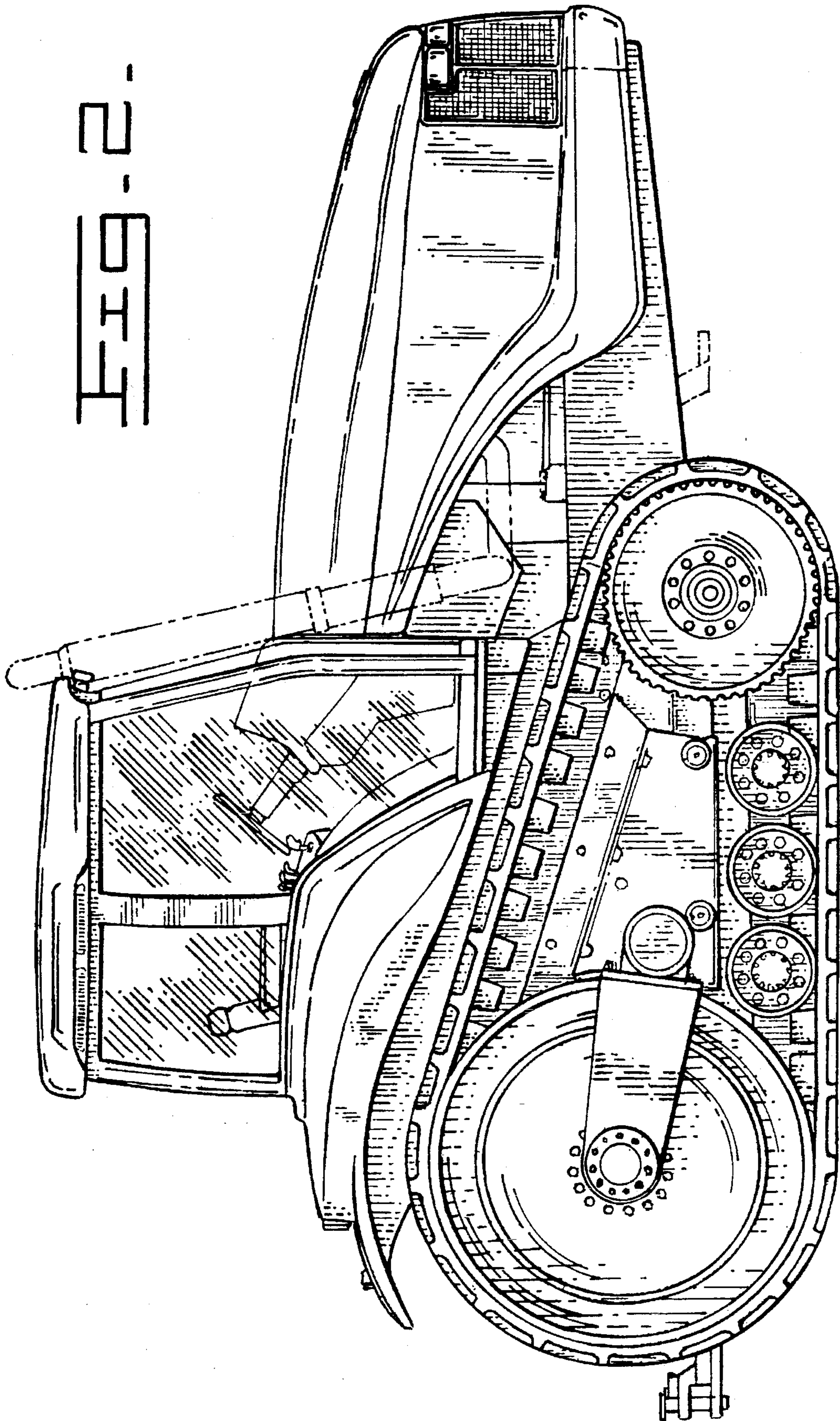


FIG. 3.

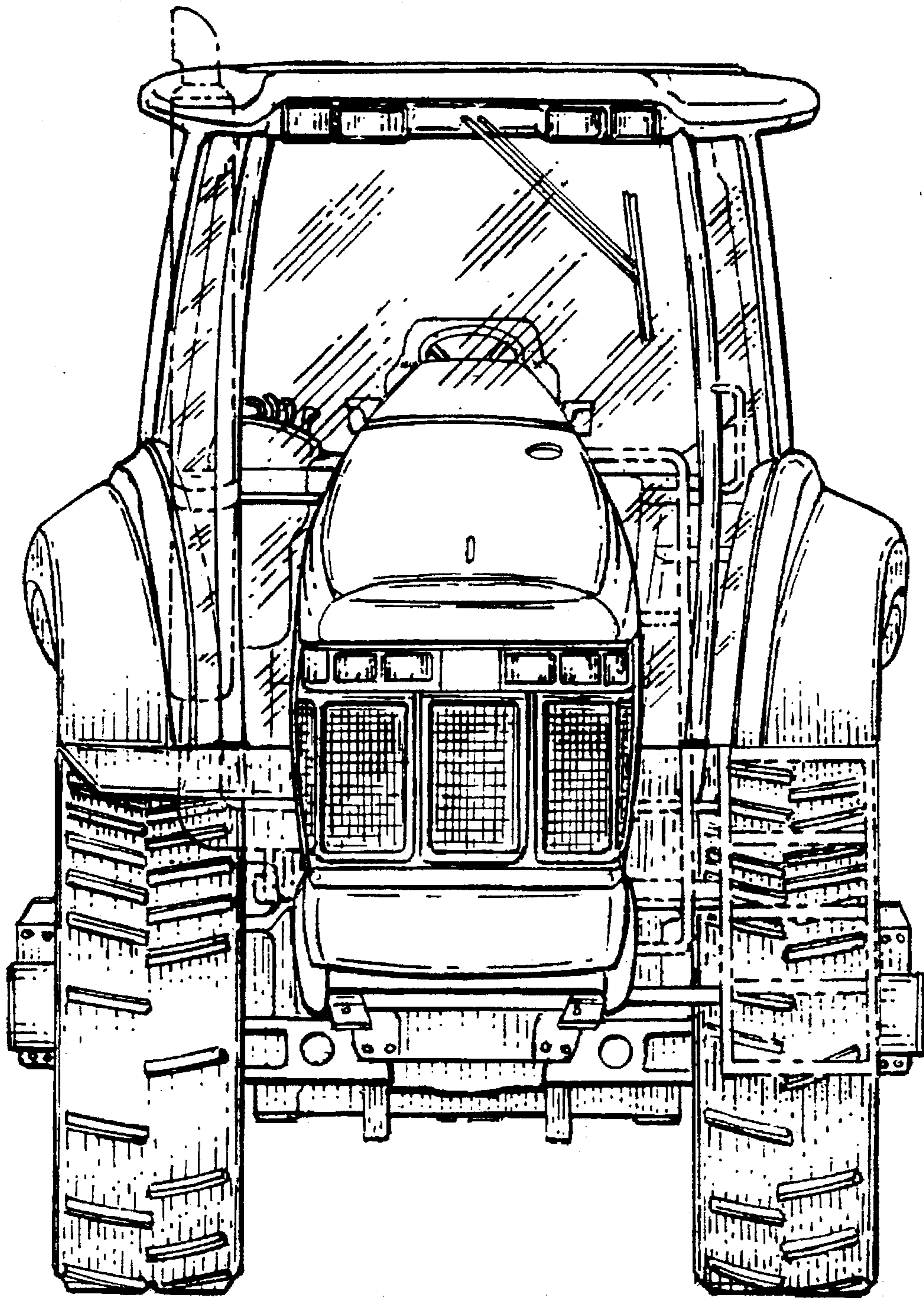


FIG. 4.

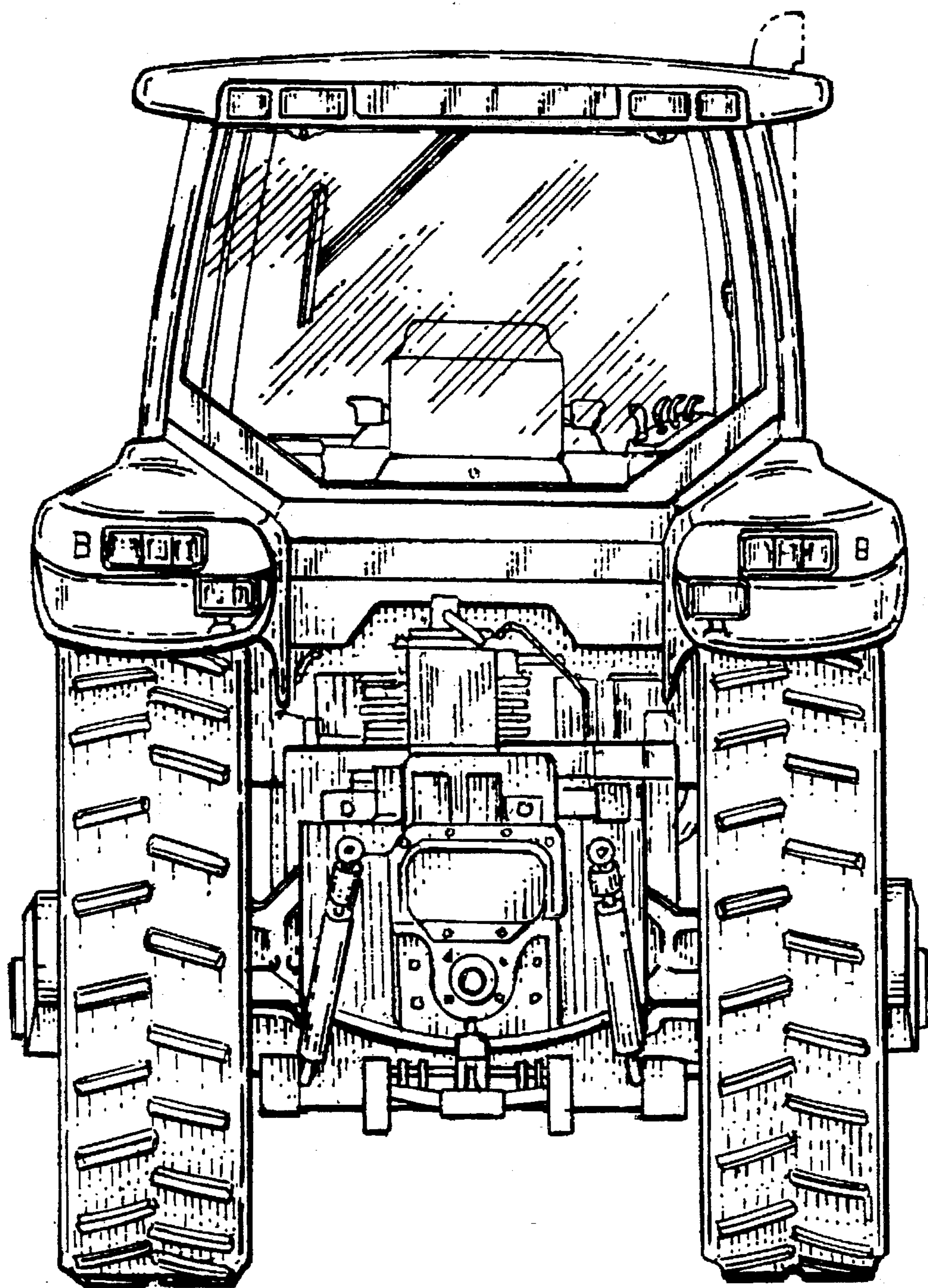
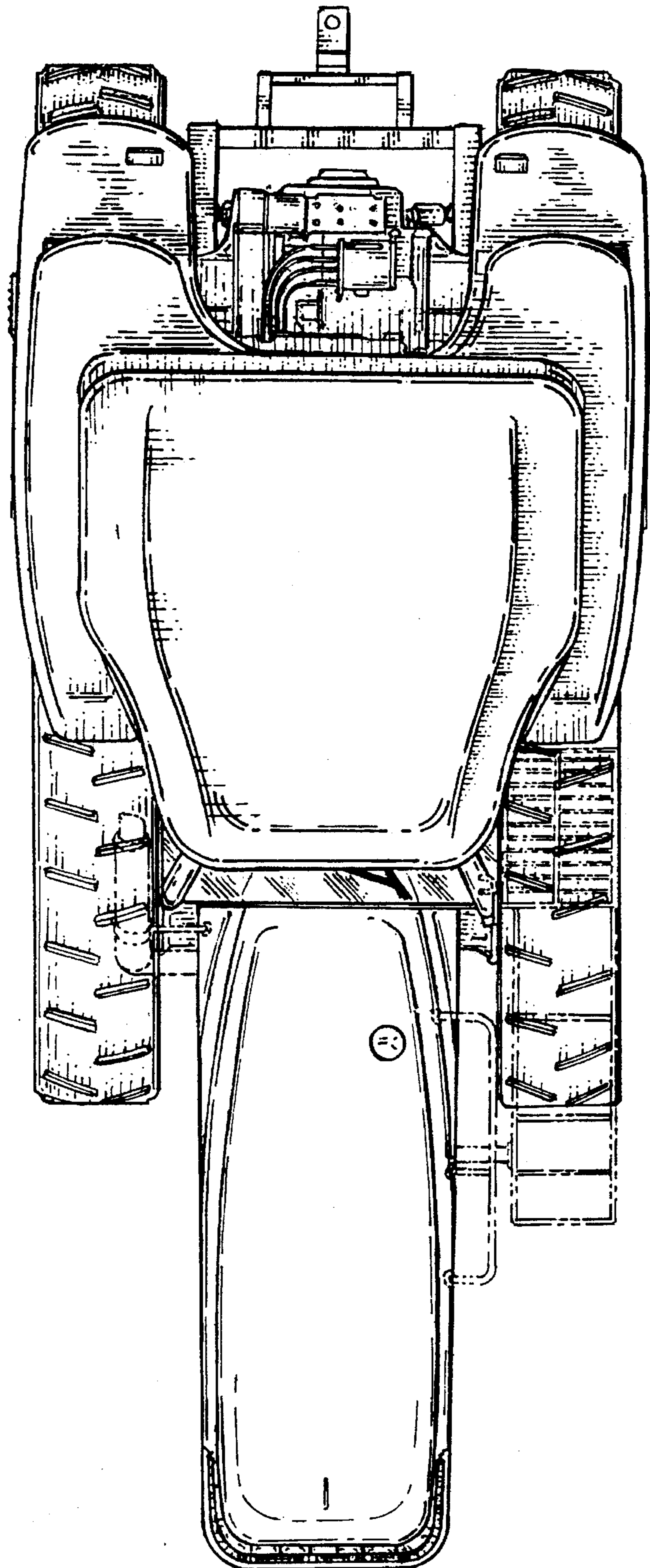


FIG. 5



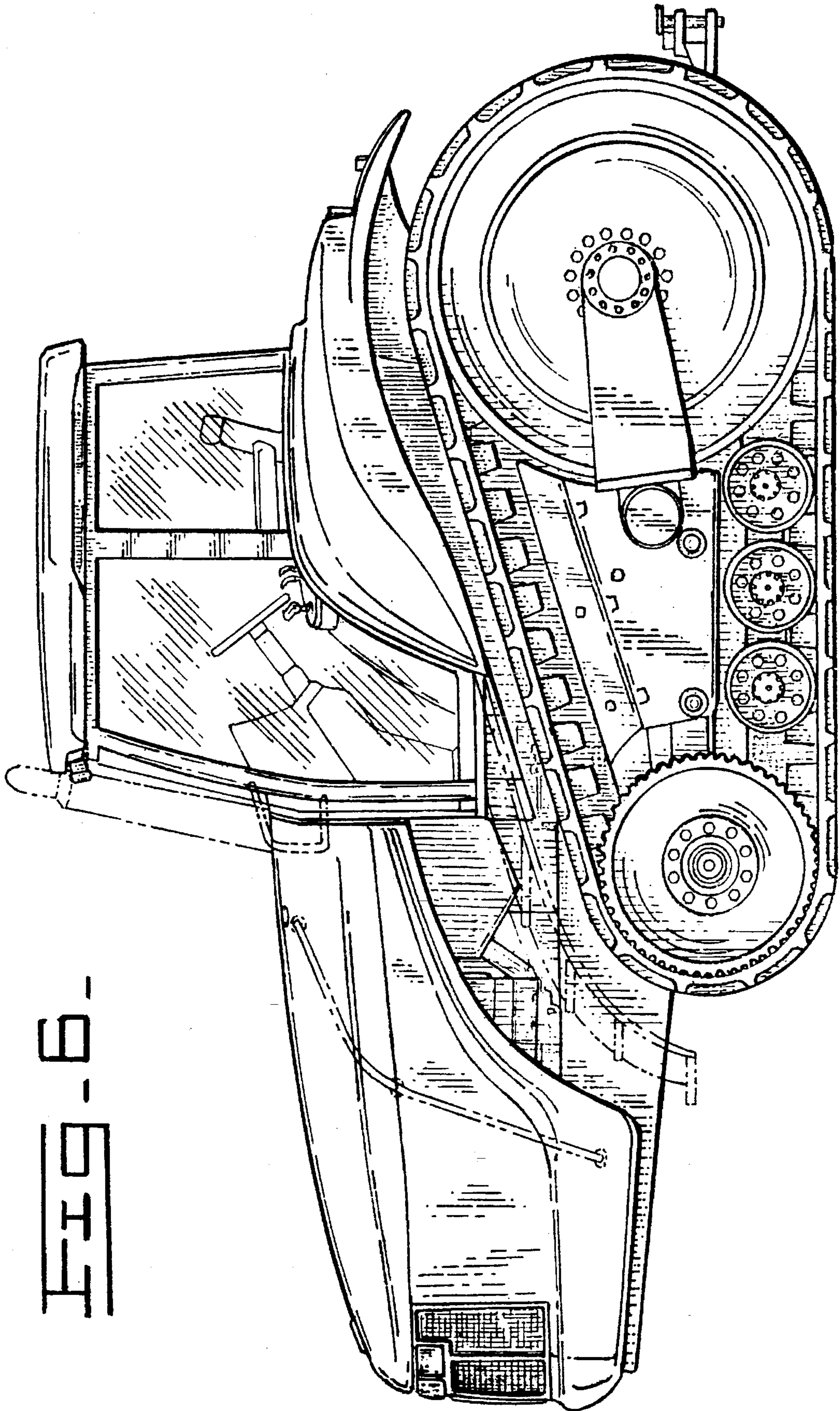


FIG. 6

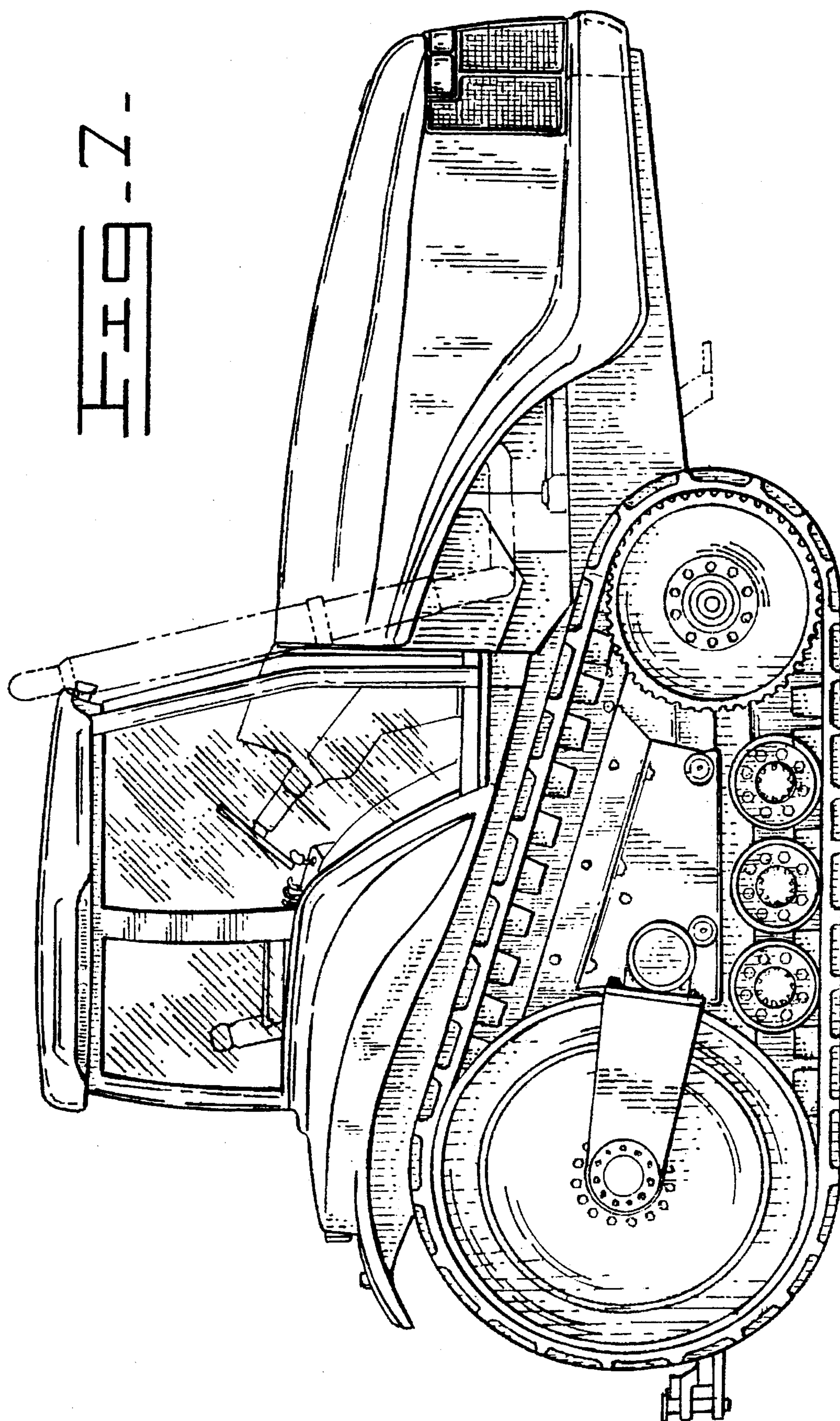




FIG. 8.

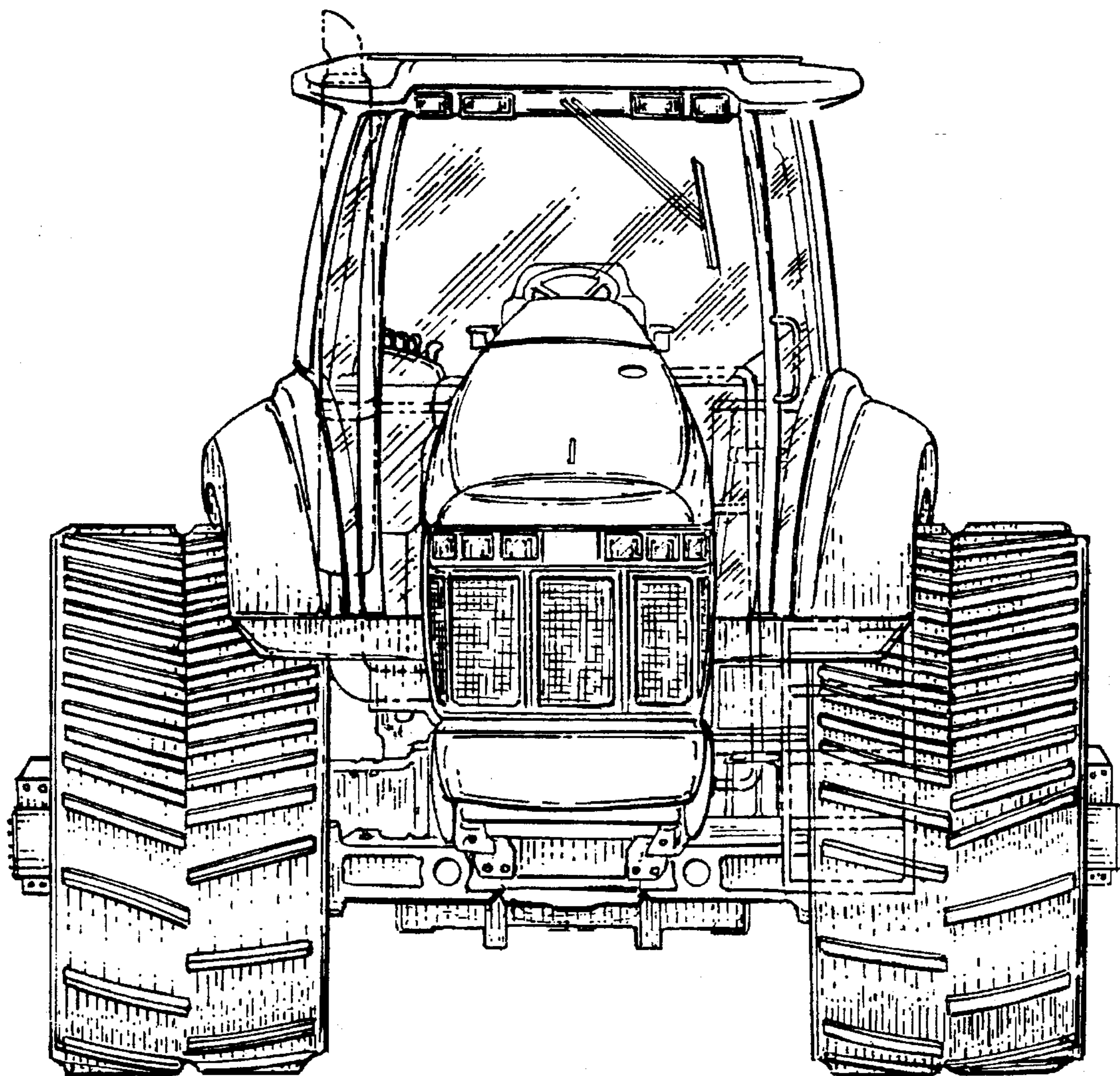


FIG. 9.

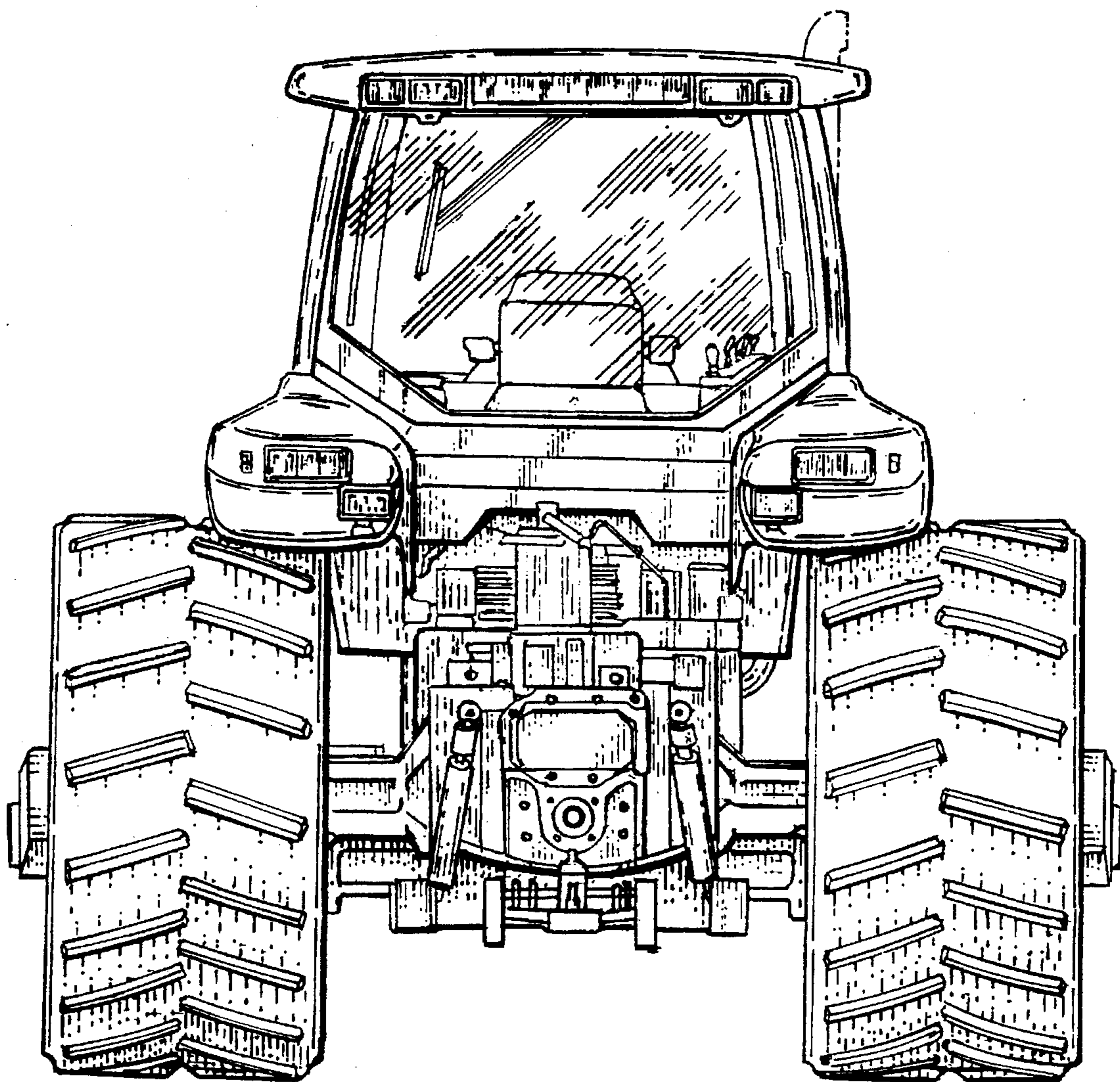


FIG. 10.

