



US00D375502S

United States Patent [19]

Robbins

[11] Patent Number: **Des. 375,502**

[45] Date of Patent: ****Nov. 12, 1996**

[54] **MOTOR HEAD**

[75] Inventor: **Jack Robbins**, Derby, Kans.

[73] Assignee: **Brunswick Corporation**, Lake Forest, Ill.

[**] Term: **14 Years**

[21] Appl. No.: **37,781**

[22] Filed: **Apr. 20, 1995**

[52] U.S. Cl. **D15/5**

[58] Field of Search **D15/4; 84/426, 84/721, 746; 440/6, 7**

[56] **References Cited**

U.S. PATENT DOCUMENTS

D. 219,558	12/1970	Fetty	D15/4
D. 220,228	3/1971	Lange	D15/4
D. 276,811	12/1984	Wolfe	D15/4

D. 308,525	6/1990	Robbins	D15/4
3,861,348	1/1975	Beierle	440/6
5,171,174	12/1992	Mynster	440/7

Primary Examiner—Louis S. Zarfaz
Assistant Examiner—Frank Martinez
Attorney, Agent, or Firm—Rosenblatt & Redano P.C.

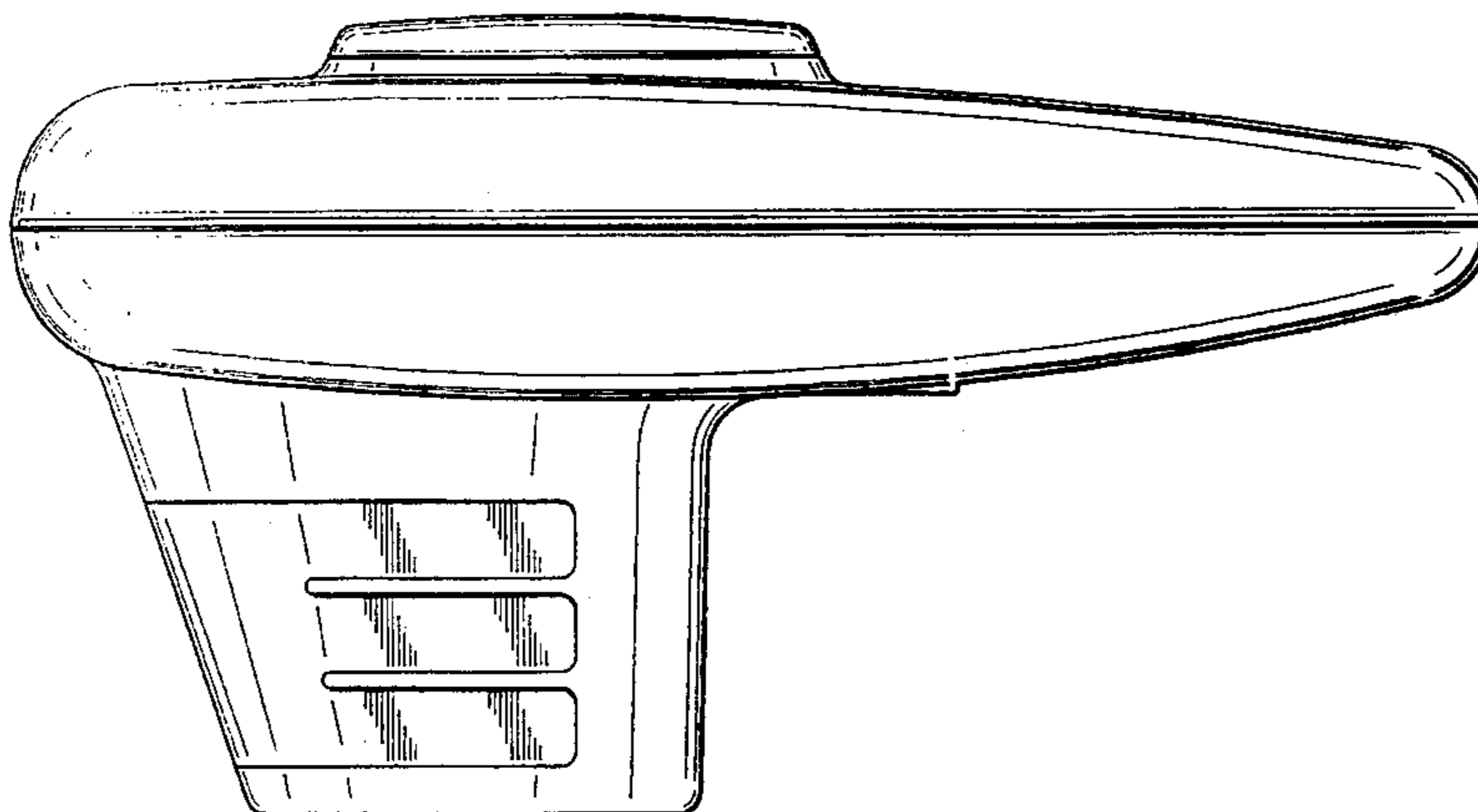
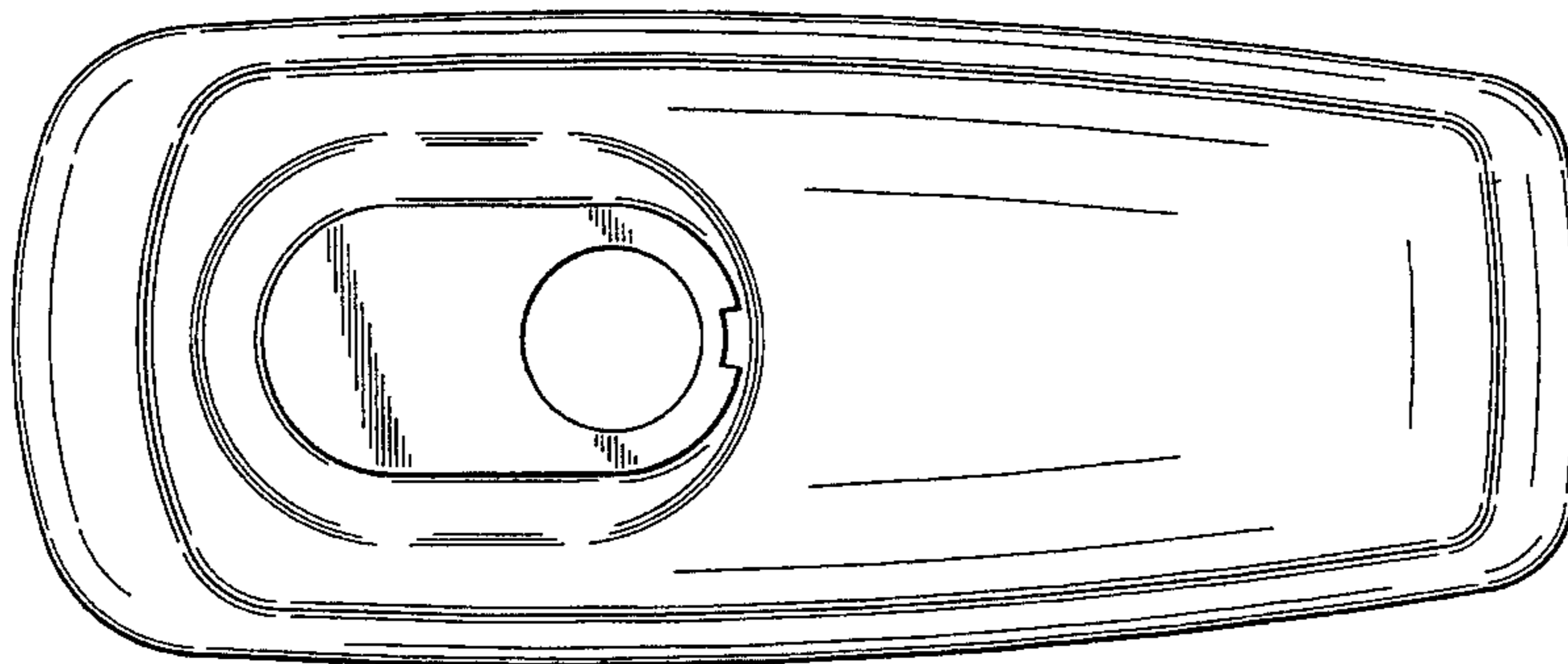
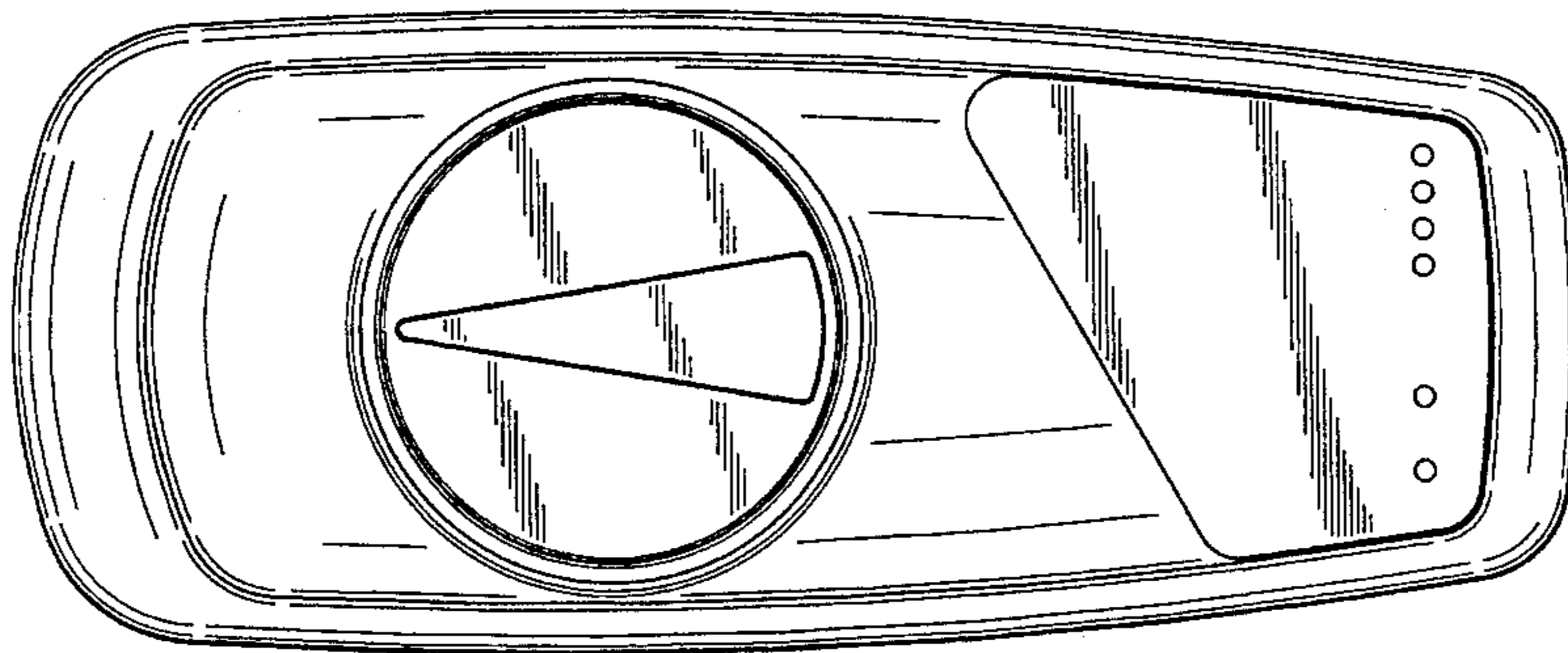
[57] **CLAIM**

The ornamental design for a motor head, as shown and described.

DESCRIPTION

FIG. 1 is a top view of the motor head;
FIG. 2 is a bottom view of the motor head;
FIG. 3 is a left view of the motor head;
FIG. 4 is a right view of the motor head;
FIG. 5 is a front view of the motor head; and,
FIG. 6 is a back view of the motor head.

1 Claim, 2 Drawing Sheets



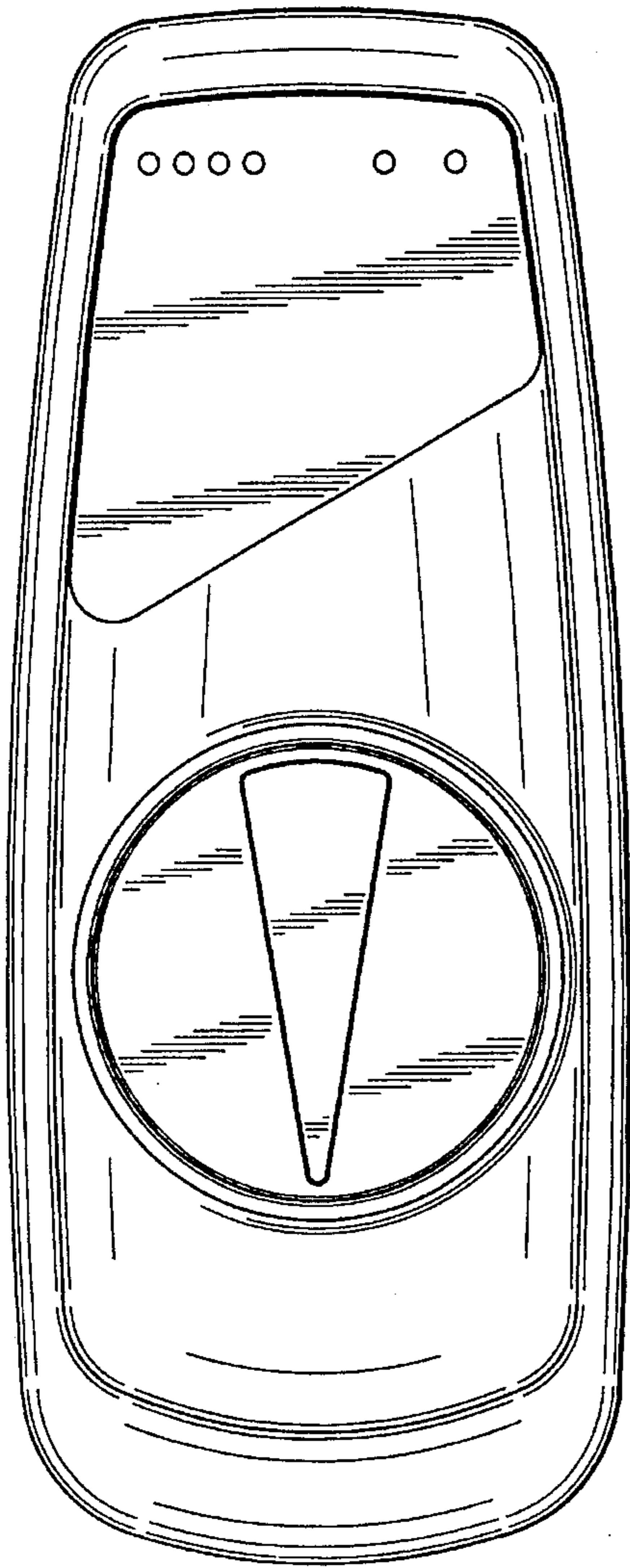


FIG. 1

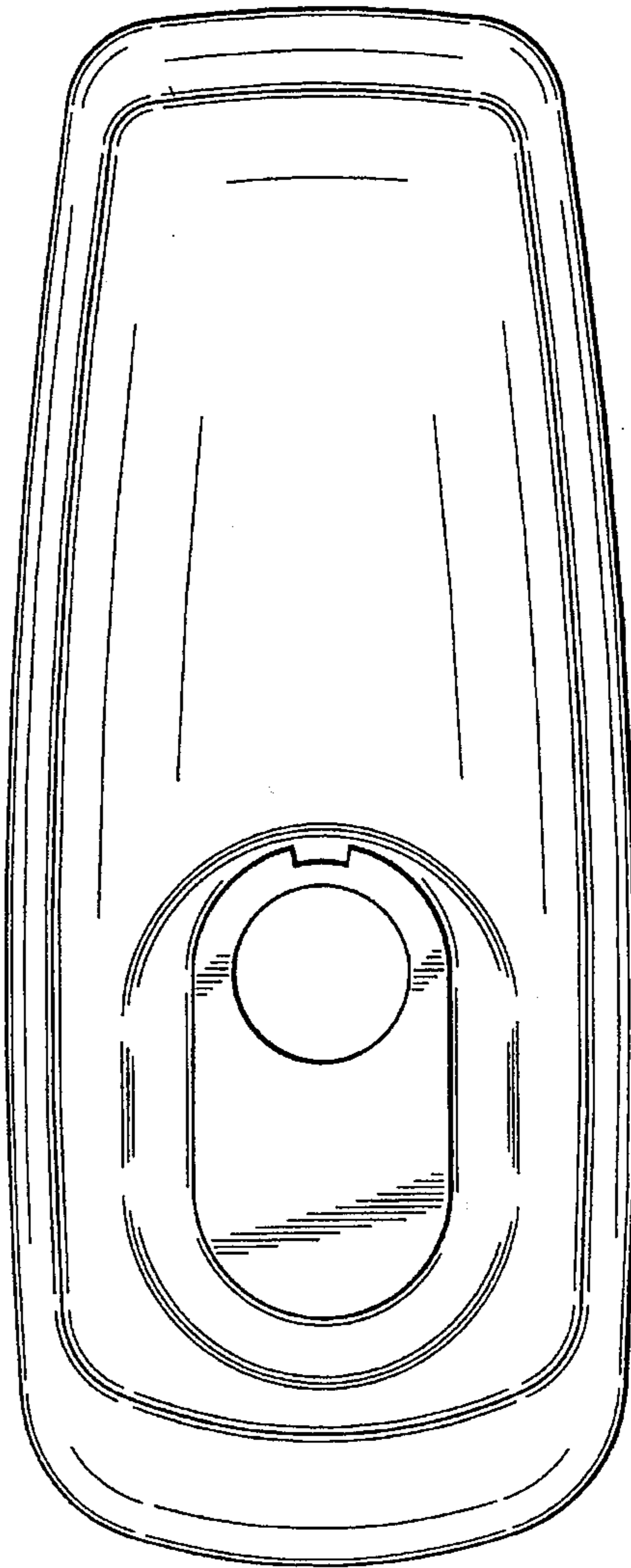


FIG. 2

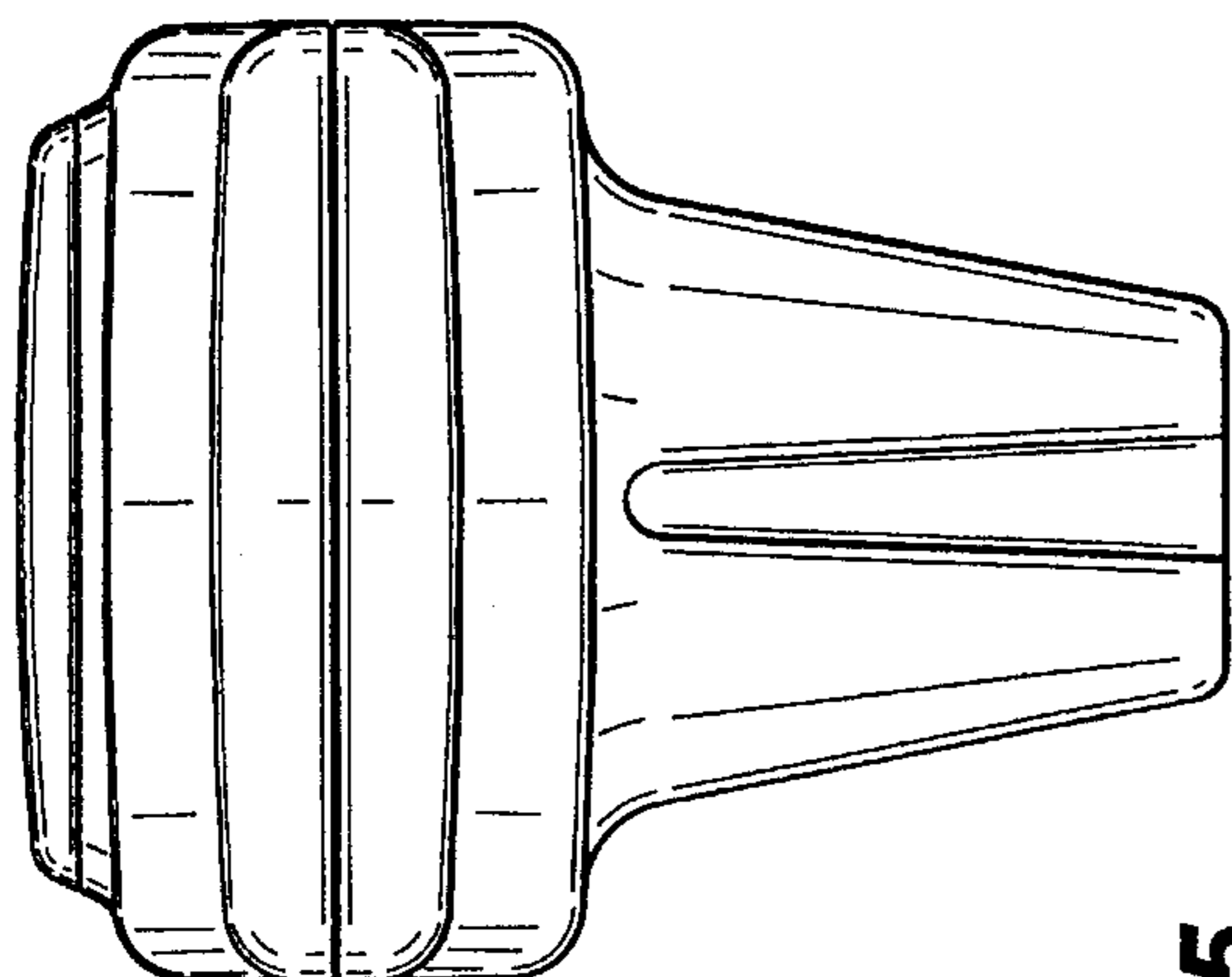


FIG. 5

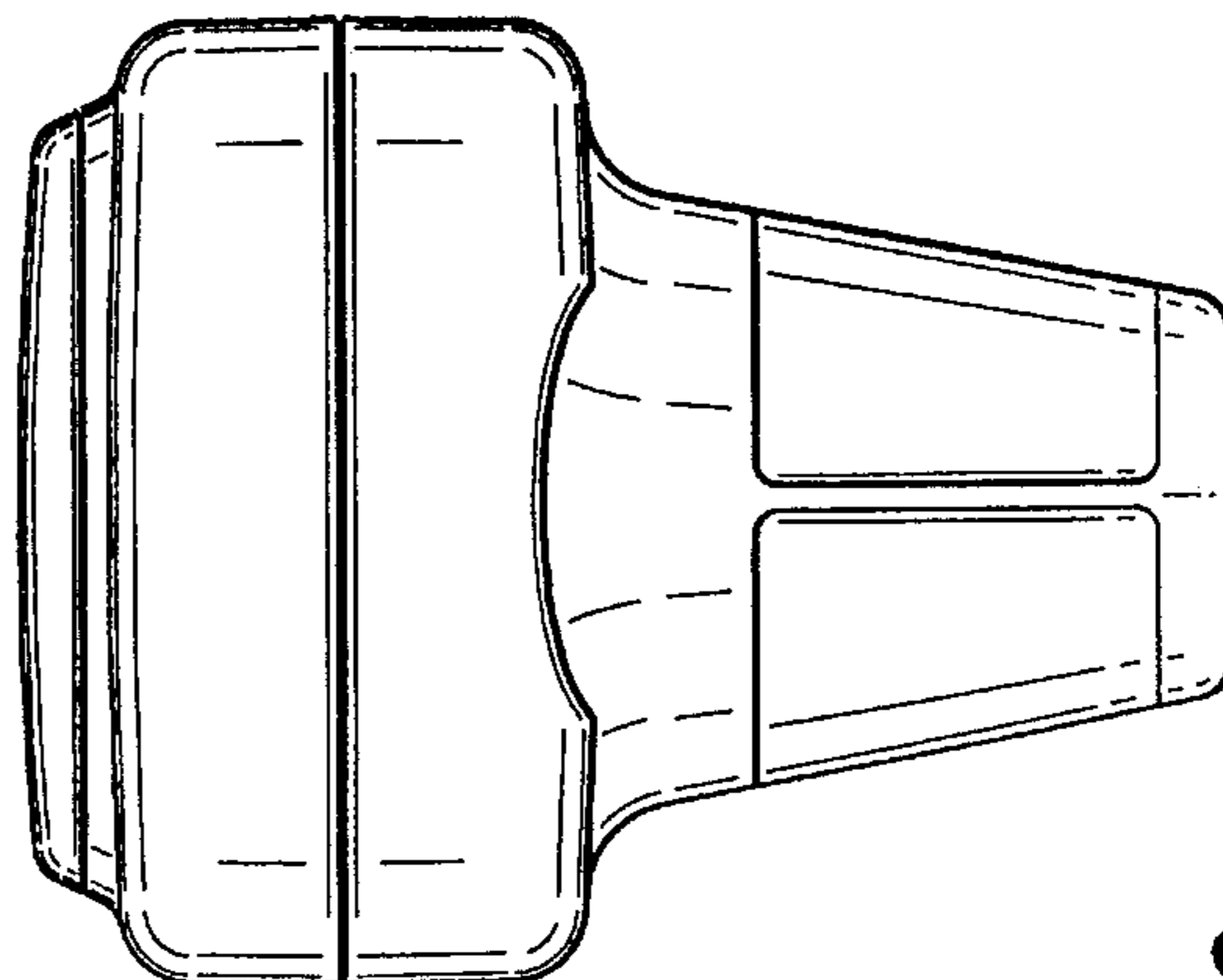


FIG. 6

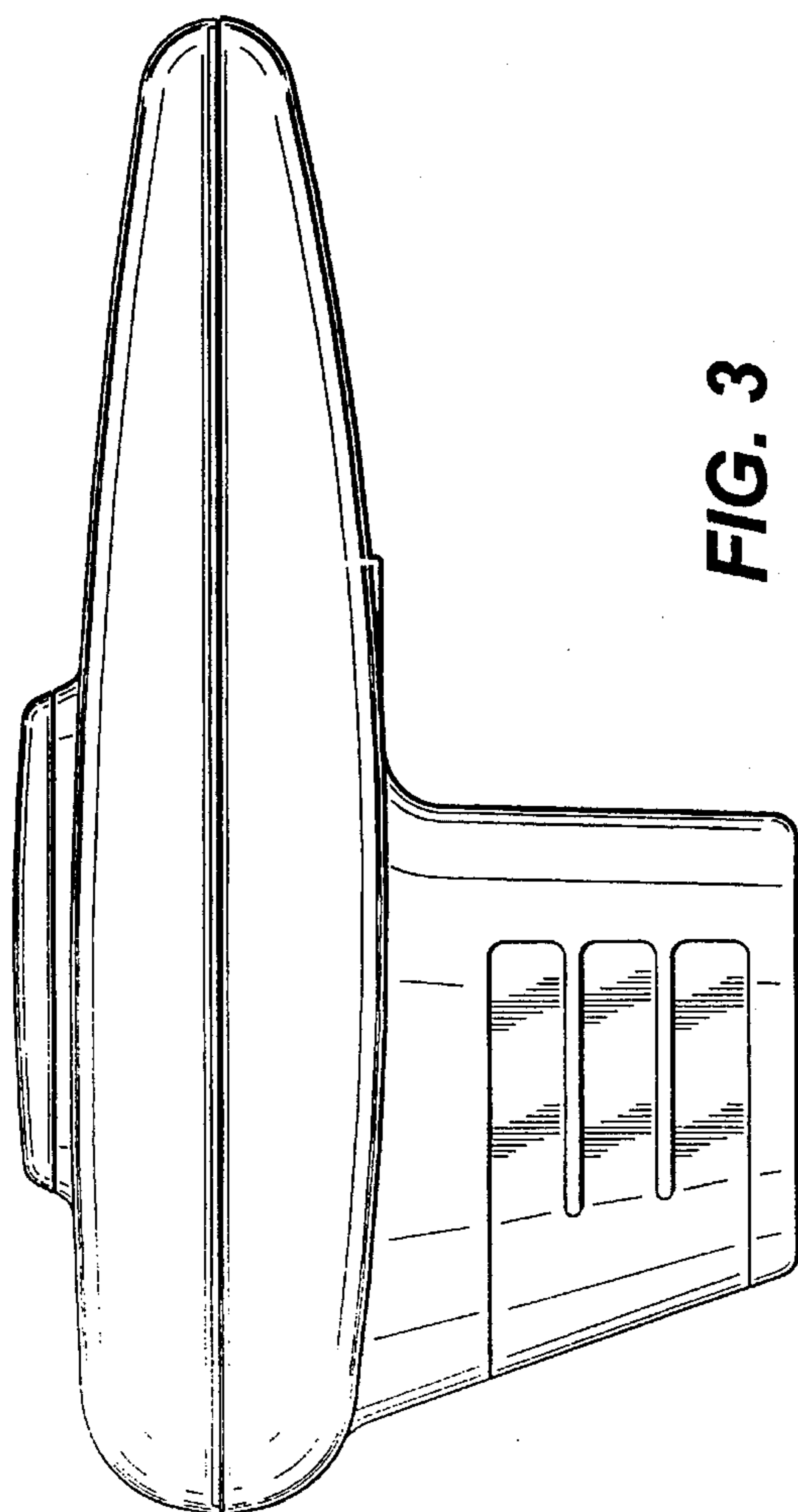


FIG. 3

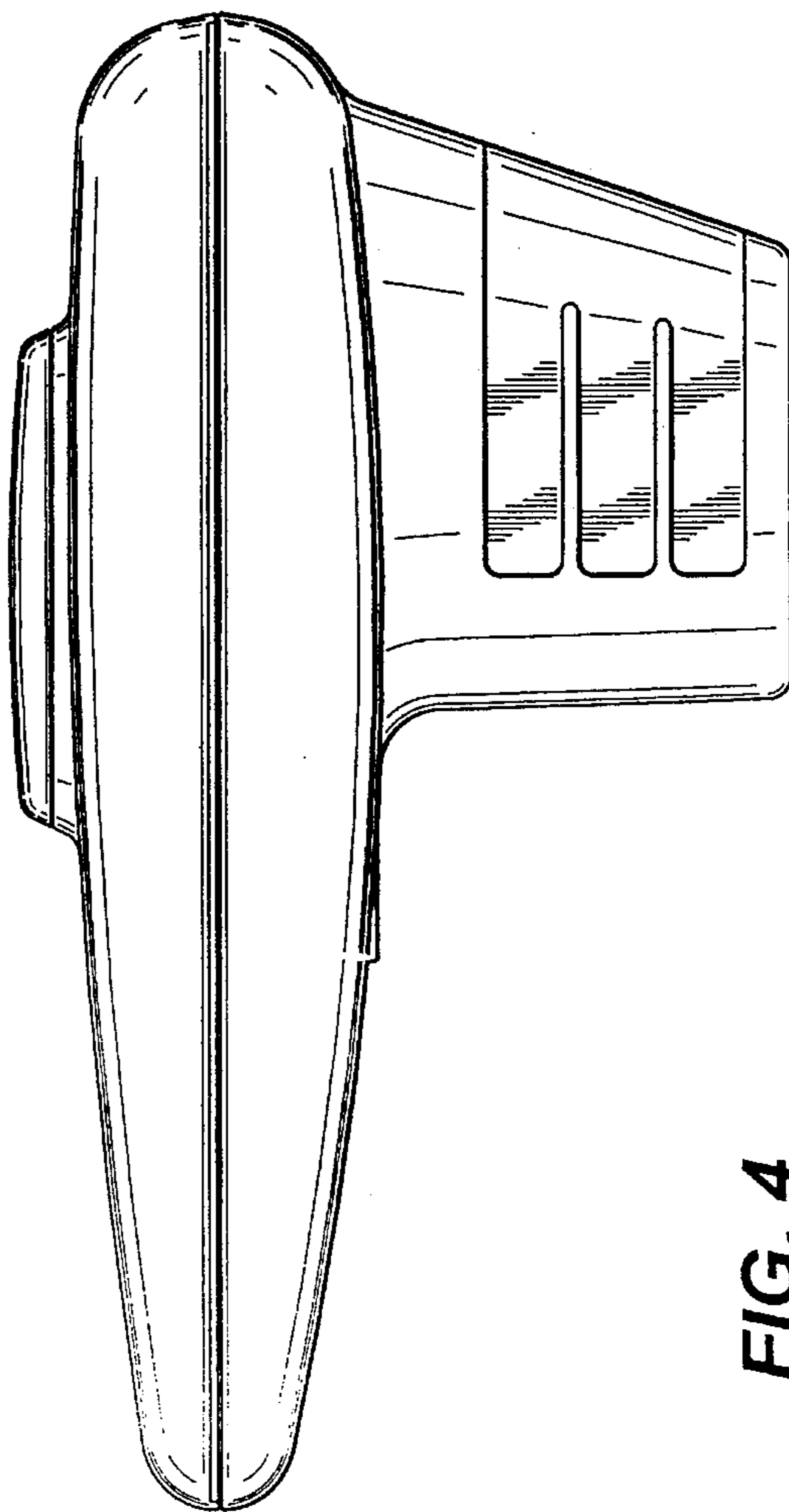


FIG. 4