



US00D375501S

# United States Patent [19]

[11] Patent Number: **Des. 375,501**

Lee et al.

[45] Date of Patent: **\*\*Nov. 12, 1996**

[54] **CUP RECEPTACLE FOR TELEPHONE HAND SET**

3,553,374 1/1971 Wolf et al. .... 379/443  
5,081,674 1/1992 Wijas et al. .... 379/419 X

[75] Inventors: **Peter Lee**, Huntington Beach; **George F. Cheung**, La Mirada, both of Calif.

*Primary Examiner*—Jeffrey Asch  
*Attorney, Agent, or Firm*—G. Donald Weber, Jr.

[73] Assignee: **American Phone Products, Inc.**, Garden Grove, Calif.

[57] **CLAIM**

[\*\*] Term: **14 Years**

The ornamental design for a cup receptacle for telephone hand set, as shown and described.

[21] Appl. No.: **18,067**

### DESCRIPTION

[22] Filed: **Jan. 28, 1994**

[52] U.S. Cl. .... **D14/242; D14/253**

[58] Field of Search ..... D14/140, 142, D14/149, 240, 242, 253, 251, 107, 114; 379/419, 420, 428, 440, 442, 443, 441, 446, 455

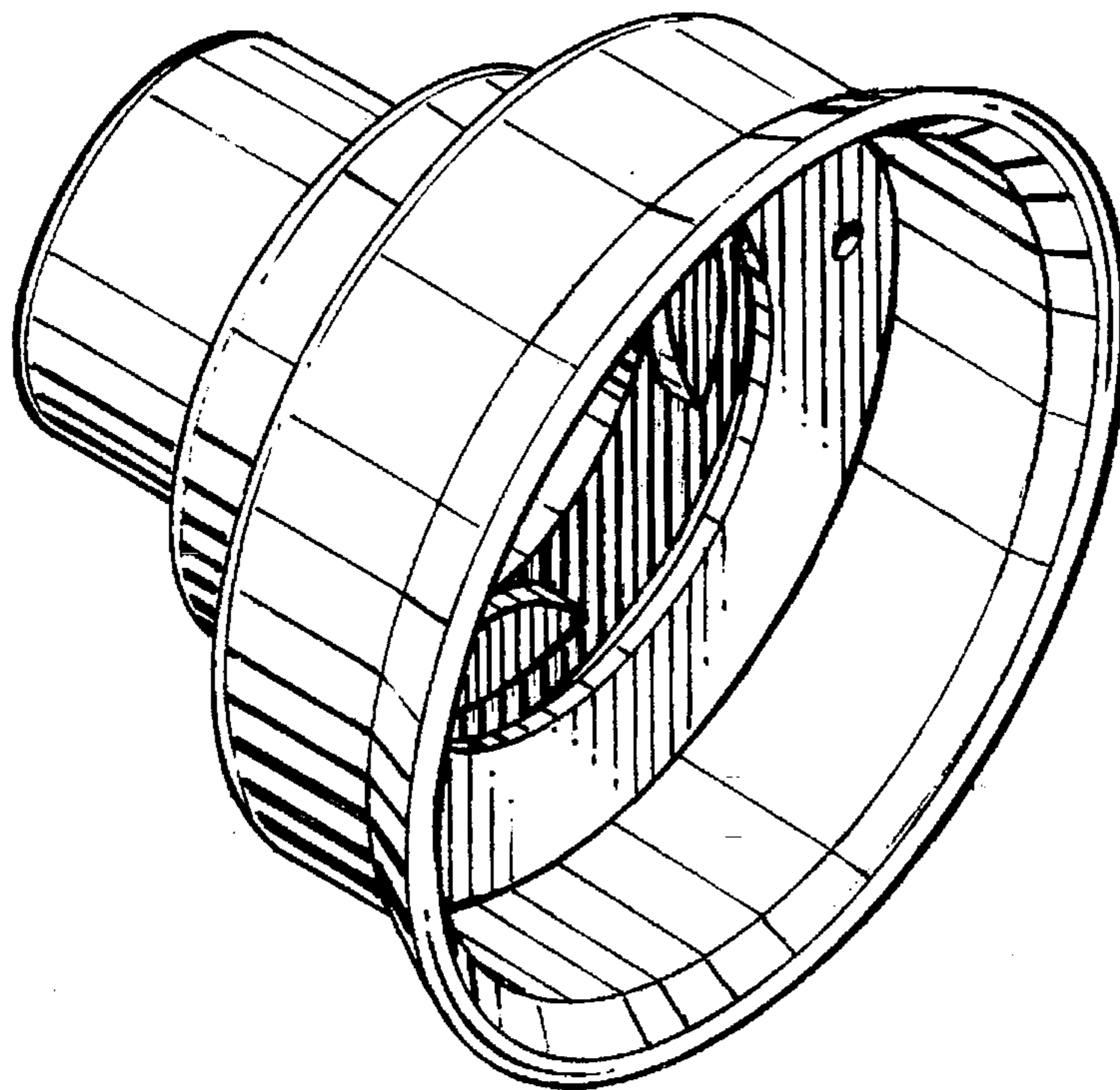
FIG. 1 is a perspective view of the cup receptacle for telephone hand set of the instant invention;  
FIG. 2 is a top plan view of the cup receptacle for telephone hand set of the instant invention;  
FIG. 3 is a bottom plan view of the cup receptacle for telephone hand set of the instant invention;  
FIG. 4 is a elevational view of the cup receptacle for telephone hand set of the instant invention;  
FIG. 5 is a cross sectional view of the cup receptacle for telephone hand set of the instant invention taken along the lines 5—5 in FIG. 2 in order to show the details of the internal ornamentation of the invention; and,  
FIG. 6 is a cross sectional view of the cup receptacle for telephone hand set of the instant invention taken along the lines 6—6 in FIG. 2 in order to show the details of the internal ornamentation of the invention.

### [56] References Cited

#### U.S. PATENT DOCUMENTS

D. 227,476	6/1973	Kennedy	.....	D14/242
D. 227,570	7/1973	Kennedy	.....	D14/242
D. 239,536	4/1976	Chadima et al.	.....	D14/242 X
D. 265,992	8/1982	Hirata et al.	.....	D14/242
D. 279,184	6/1985	Sakamoto	.....	D14/242
D. 281,688	12/1985	Owens, Jr.	.....	D14/242
D. 281,878	12/1985	Kawakami	.....	D14/242
D. 282,256	1/1986	Mizuno	.....	D14/242

**1 Claim, 1 Drawing Sheet**



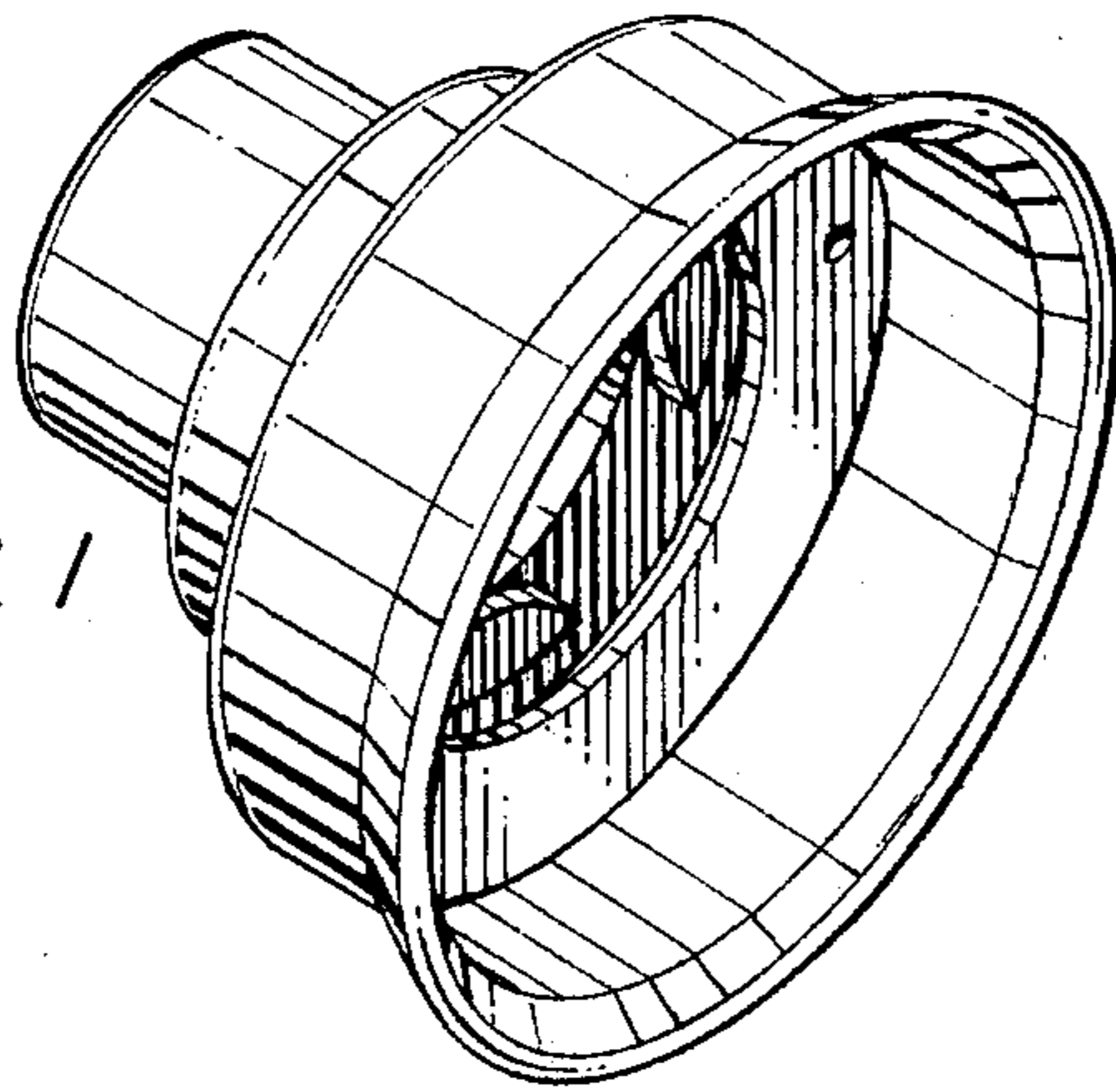


FIG. 1

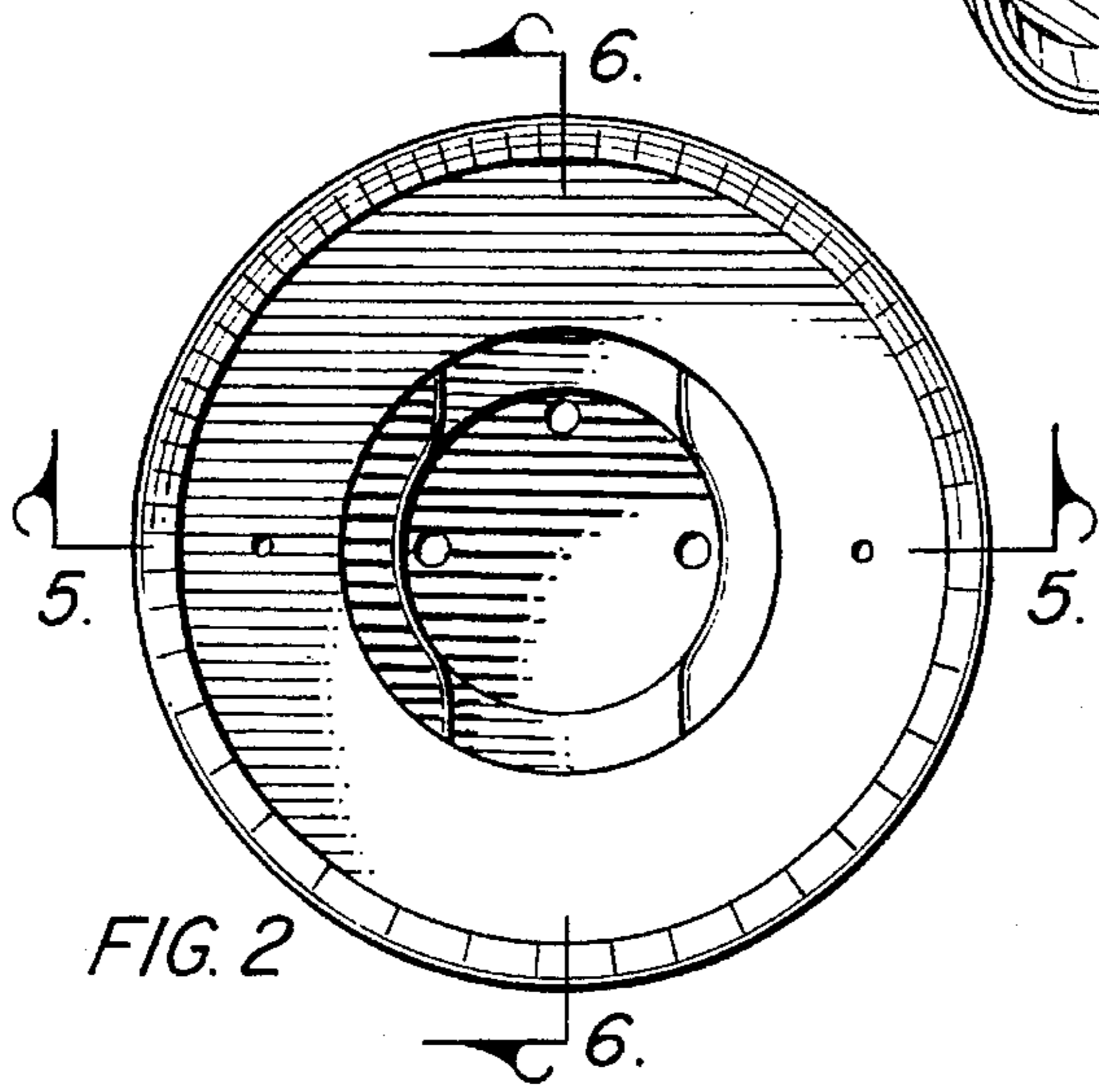


FIG. 2

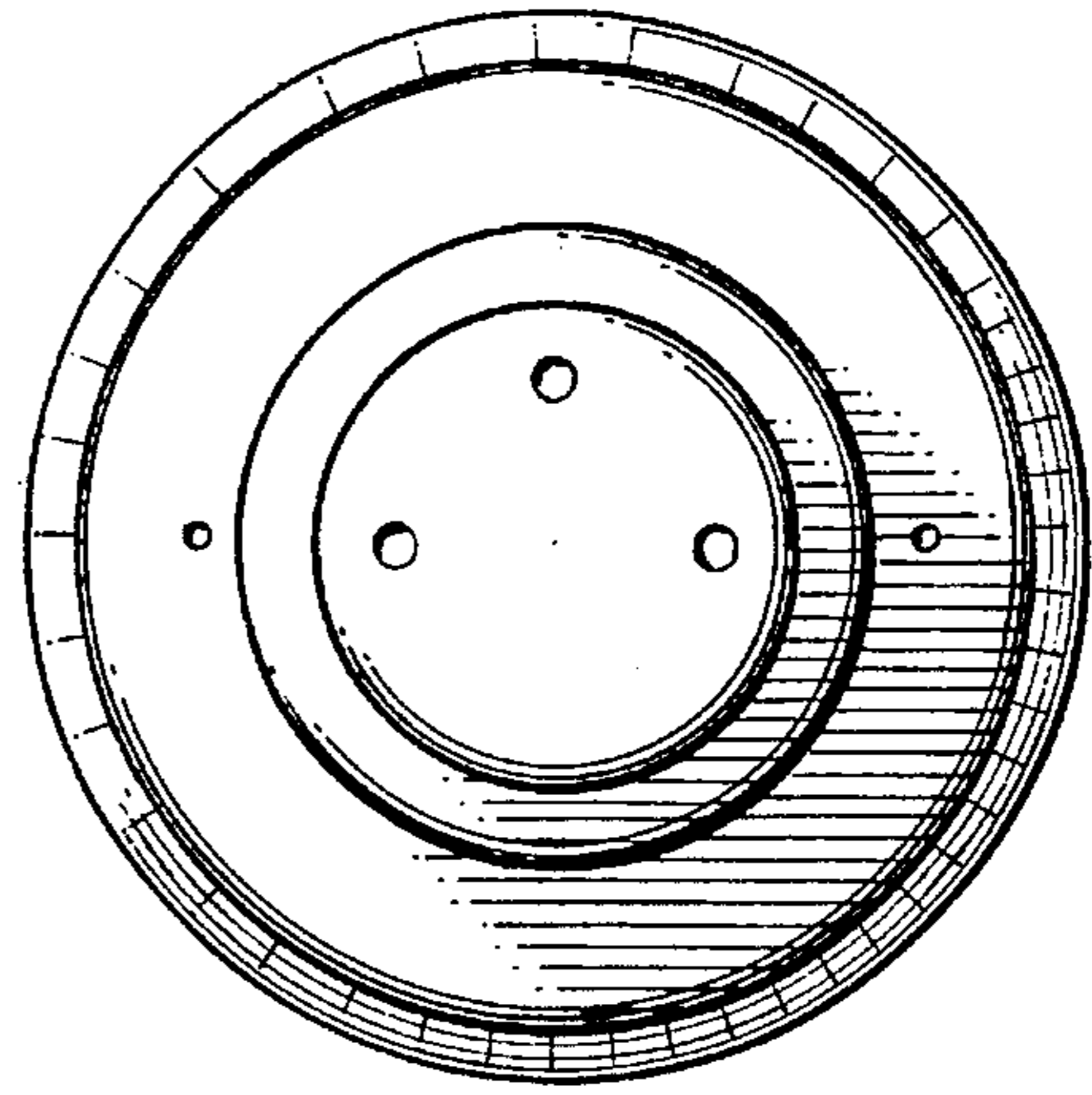


FIG. 3

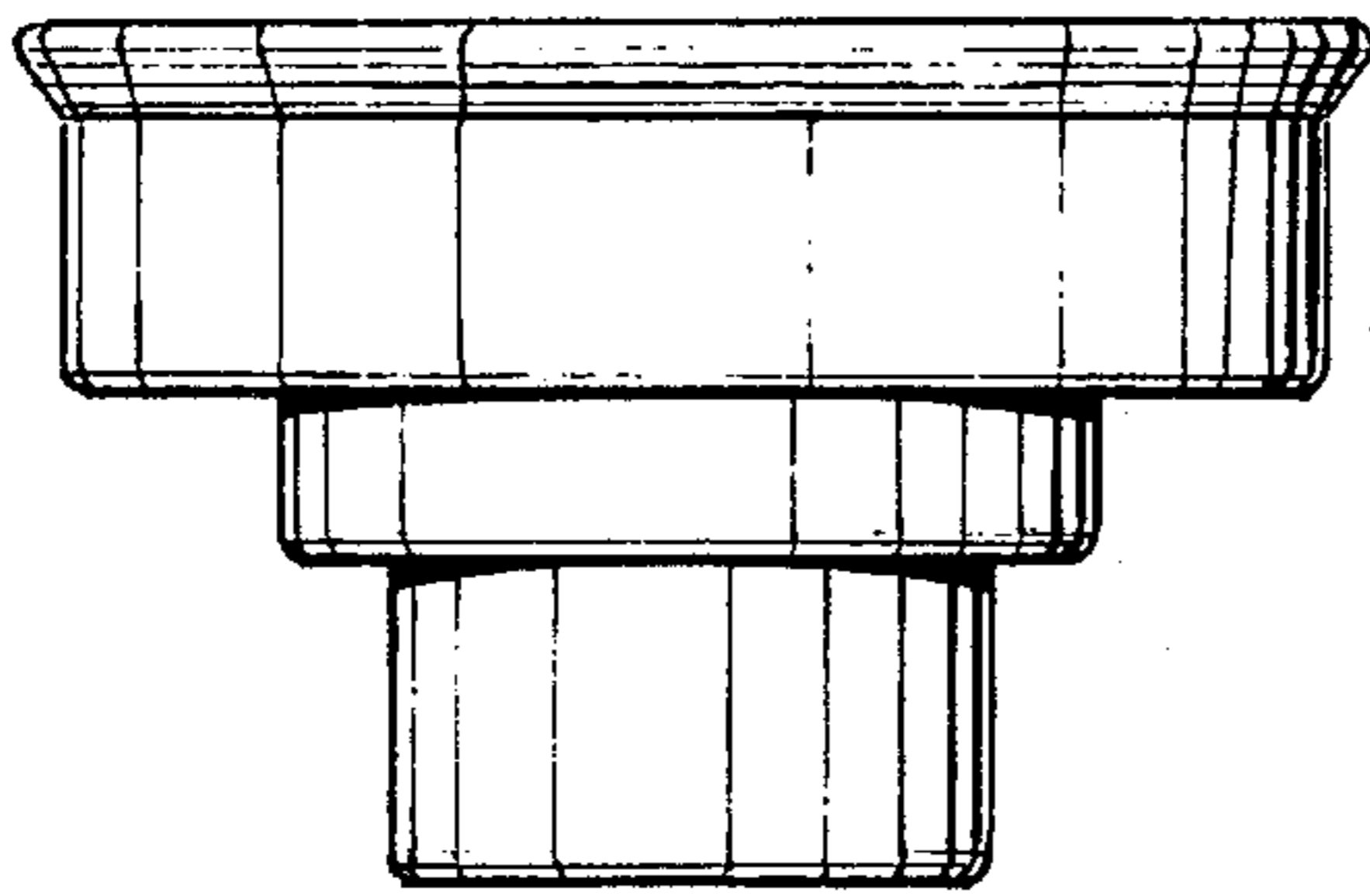


FIG. 4

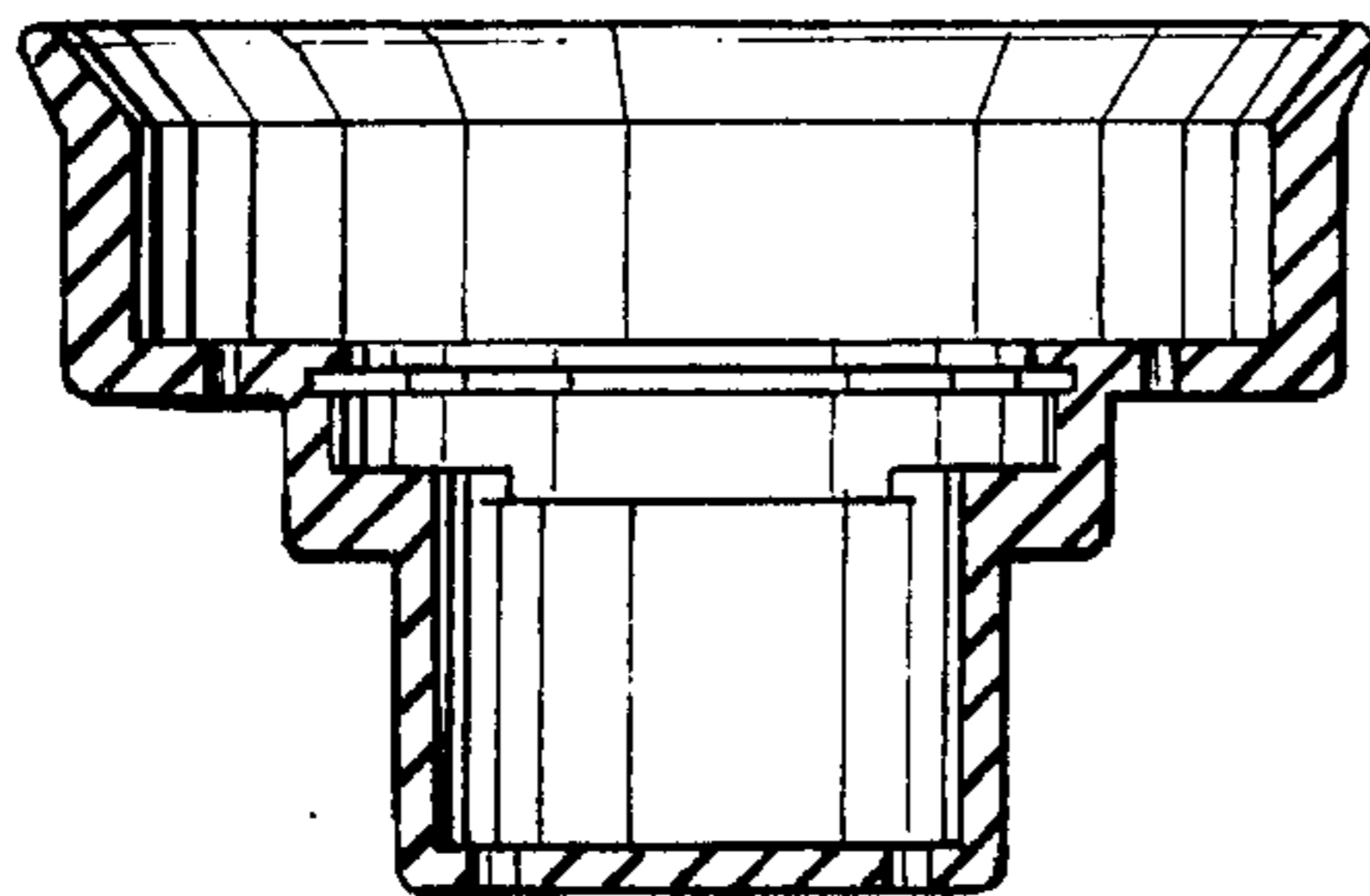


FIG. 5

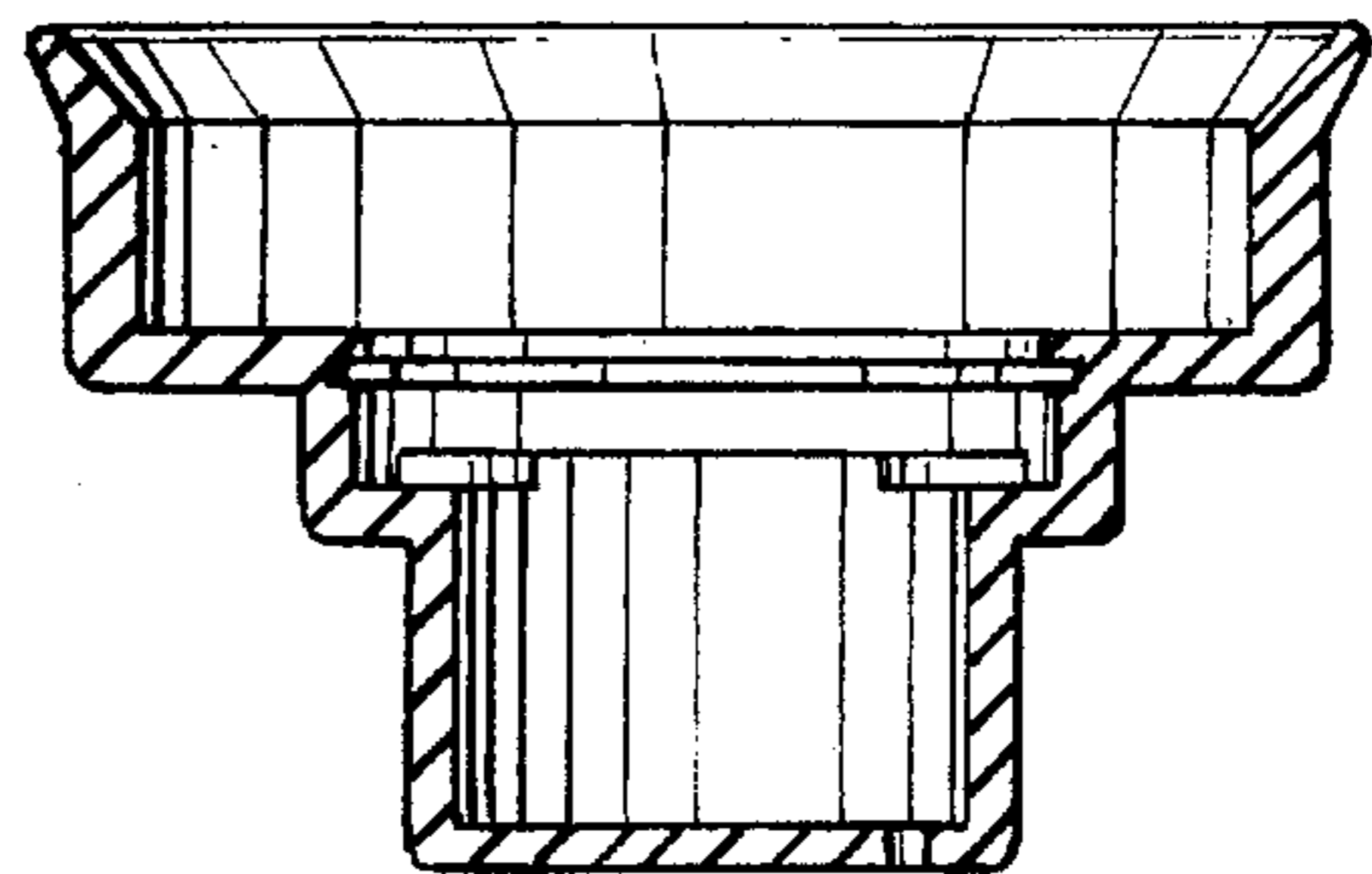


FIG. 6