



US00D375499S

United States Patent [19]

Meyer et al.

[11] Patent Number: **Des. 375,499**

[45] Date of Patent: ****Nov. 12, 1996**

[54] LOUDSPEAKER

[75] Inventors: **John D. Meyer**, Berkeley; **Jeffrey A. Weiner**, Oakland; **Frank Kavka**, Walnut Creek, all of Calif.

[73] Assignee: **Meyer Sound Laboratories Incorporated**, Berkeley, Calif.

[**] Term: **14 Years**

[21] Appl. No.: **42,391**

[22] Filed: **Aug. 9, 1995**

Related U.S. Application Data

- [63] Continuation-in-part of Ser. No. 35,928, Mar. 9, 1995.
- [52] U.S. Cl. **D14/214**
- [58] Field of Search D14/204, 207, D14/209-216, 219-220; 181/144-145, 147-148, 150, 157, 159, 198-199; 381/24, 88, 90, 153, 159, 186, 188, 203, 205

[56] References Cited

U.S. PATENT DOCUMENTS

D. 243,023 1/1977 Robson D14/214

- D. 253,592 12/1979 Takei D14/214
- D. 271,967 12/1983 Meyer et al. D14/214
- D. 328,901 8/1992 Haruyama D14/216
- D. 358,393 5/1995 Yamazaki D14/213
- 4,221,929 9/1980 Fakuda 181/148 X

OTHER PUBLICATIONS

High Fidelity, Jun. 1986, p. 37, Speaker.

Primary Examiner—Ted Shooman

Assistant Examiner—Nanda Bondade

Attorney, Agent, or Firm—Donald L. Beeson

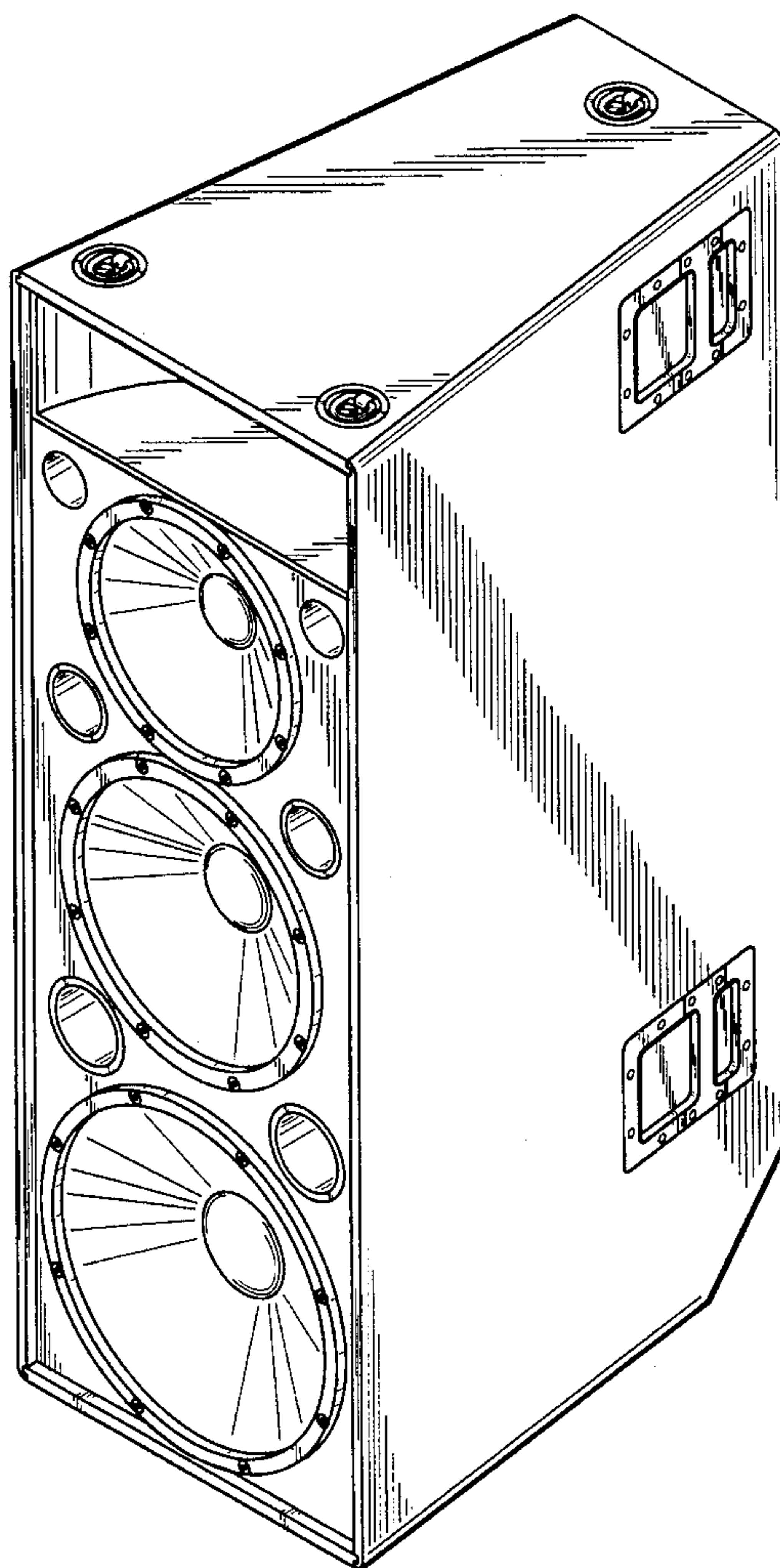
[57] CLAIM

The ornamental design for a loudspeaker, as shown and described.

DESCRIPTION

- FIG. 1 is a top perspective view of a loudspeaker showing our new design;
- FIG. 2 is a front elevational view thereof;
- FIG. 3 is a right side elevational view thereof, the left side being a mirror image;
- FIG. 4 is a top plan view thereof;
- FIG. 5 is a rear elevational view thereof; and,
- FIG. 6 is a bottom plan view thereof.

1 Claim, 3 Drawing Sheets



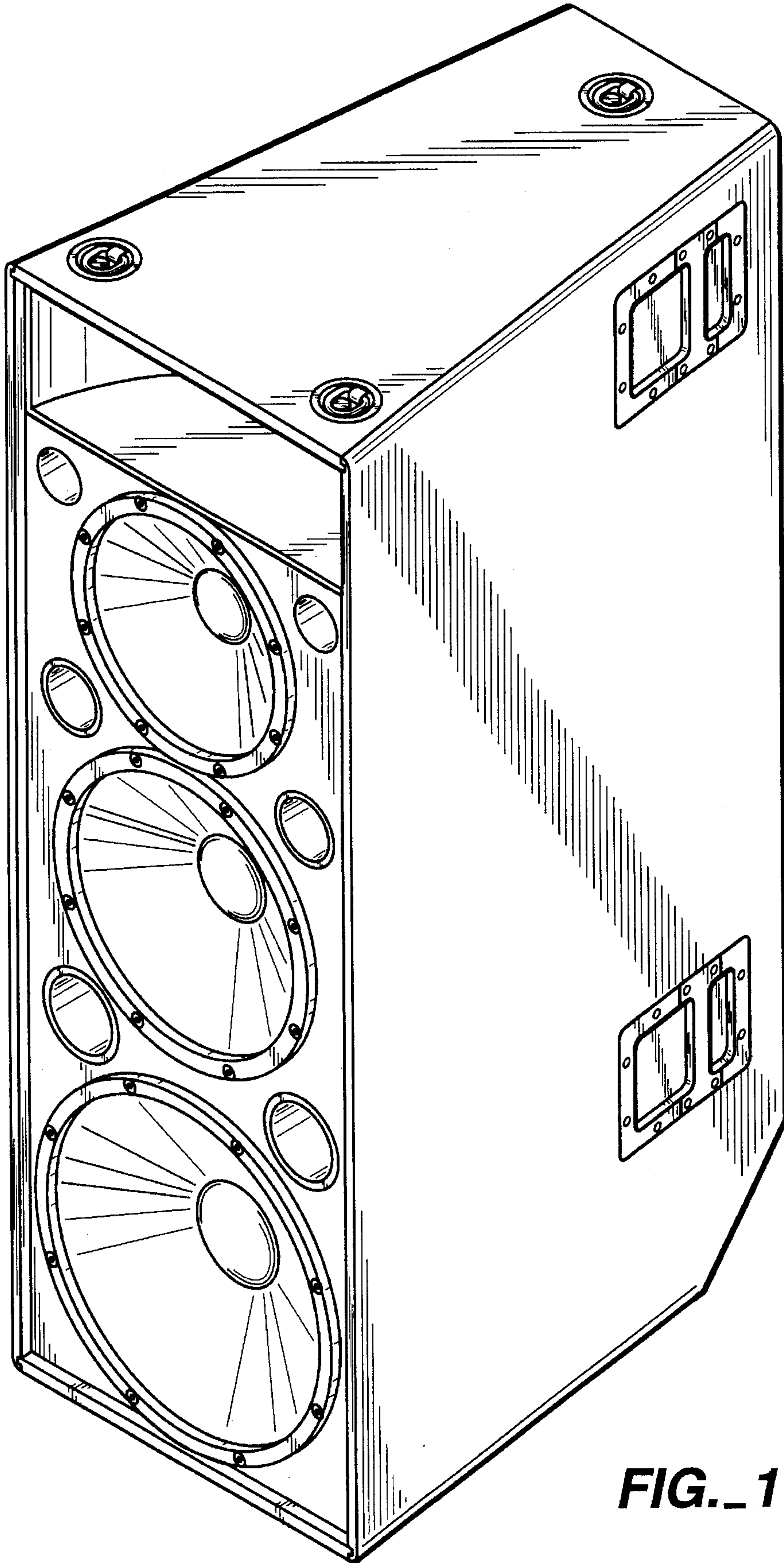


FIG. 1

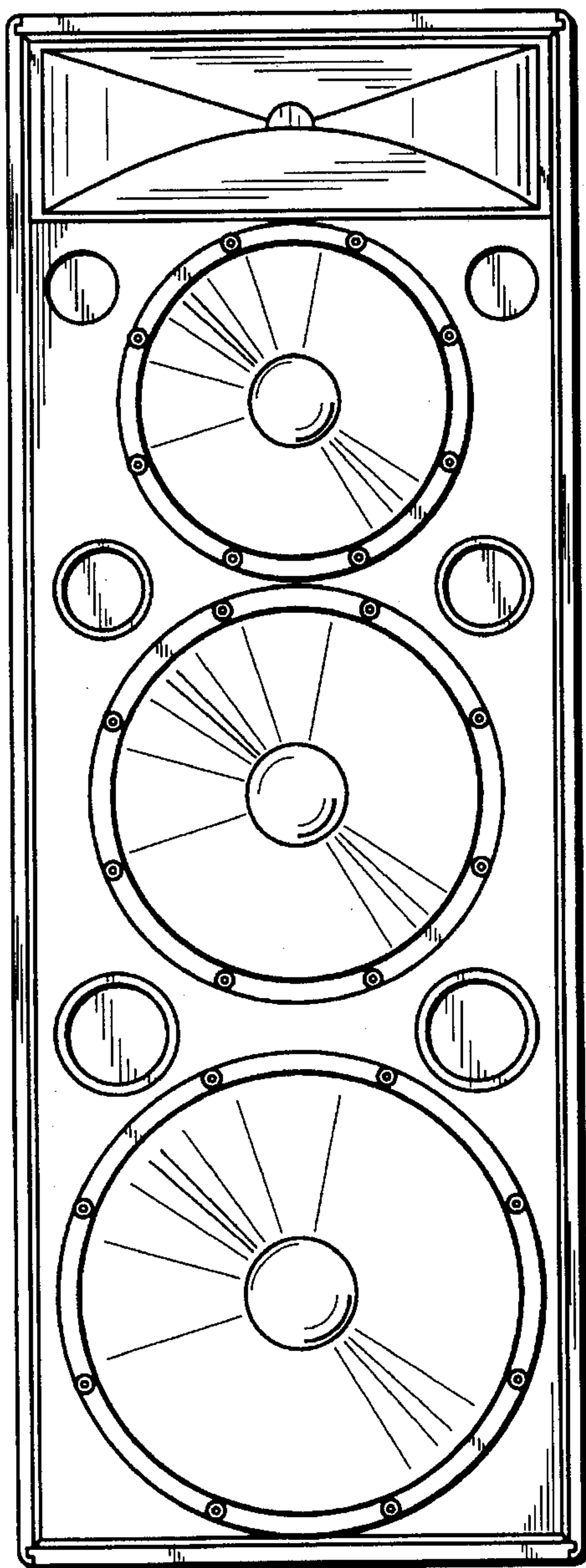


FIG. 2

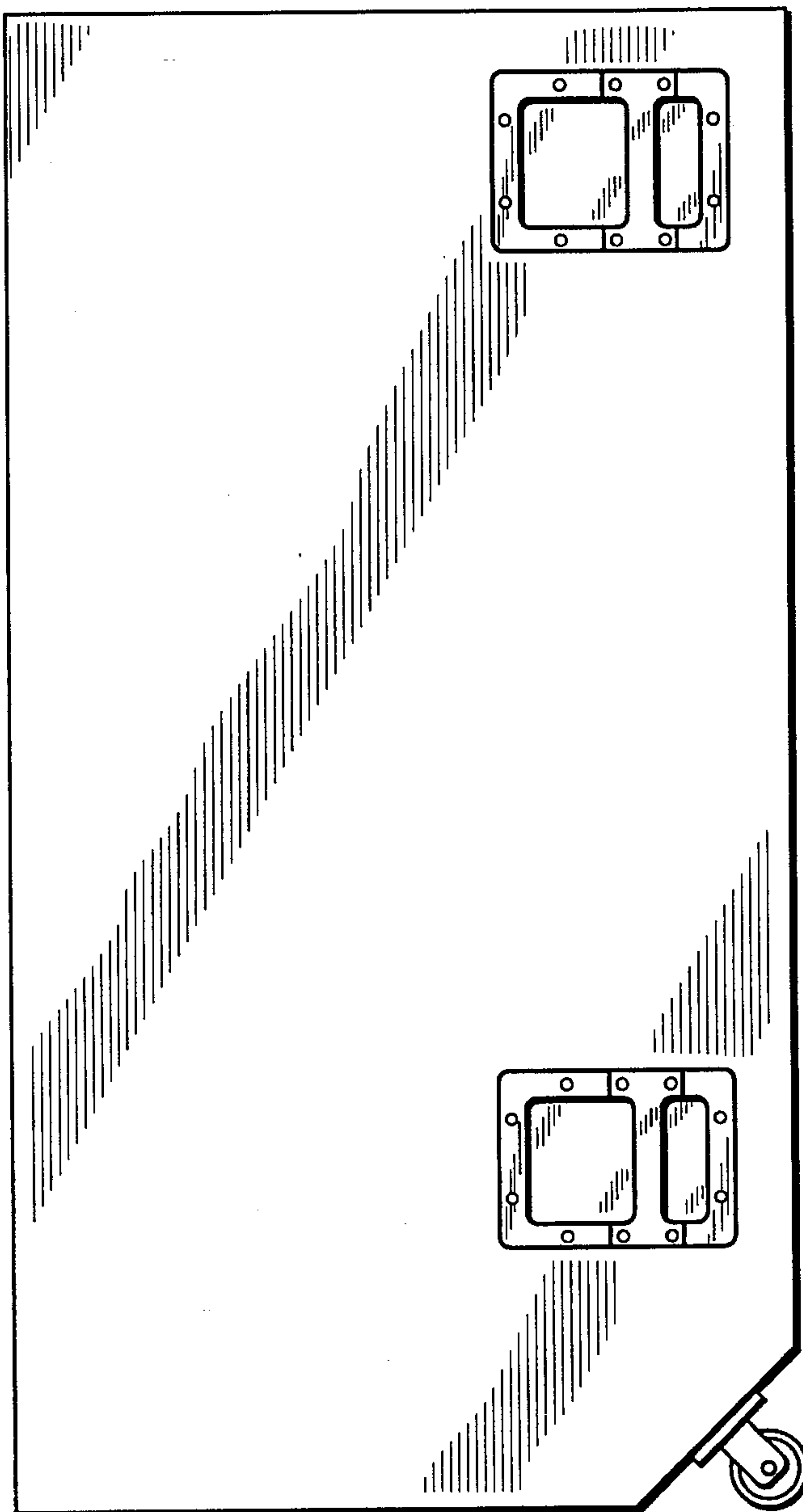


FIG. 3

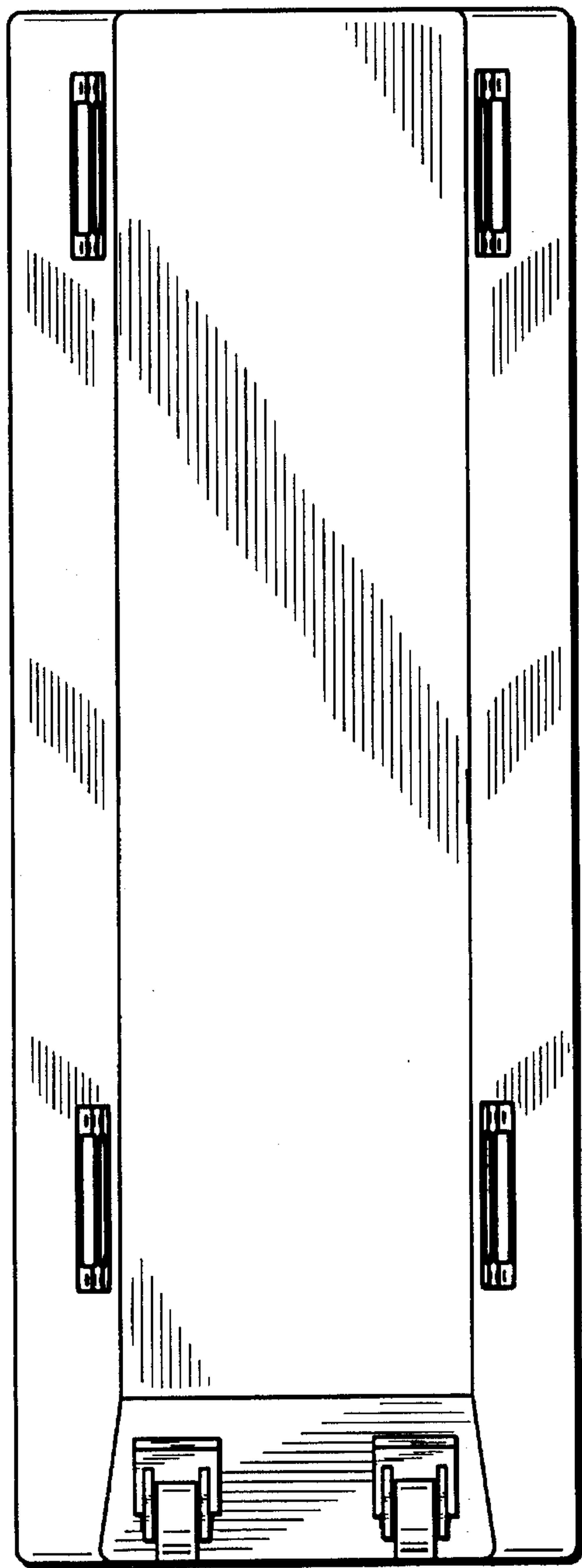


FIG._5

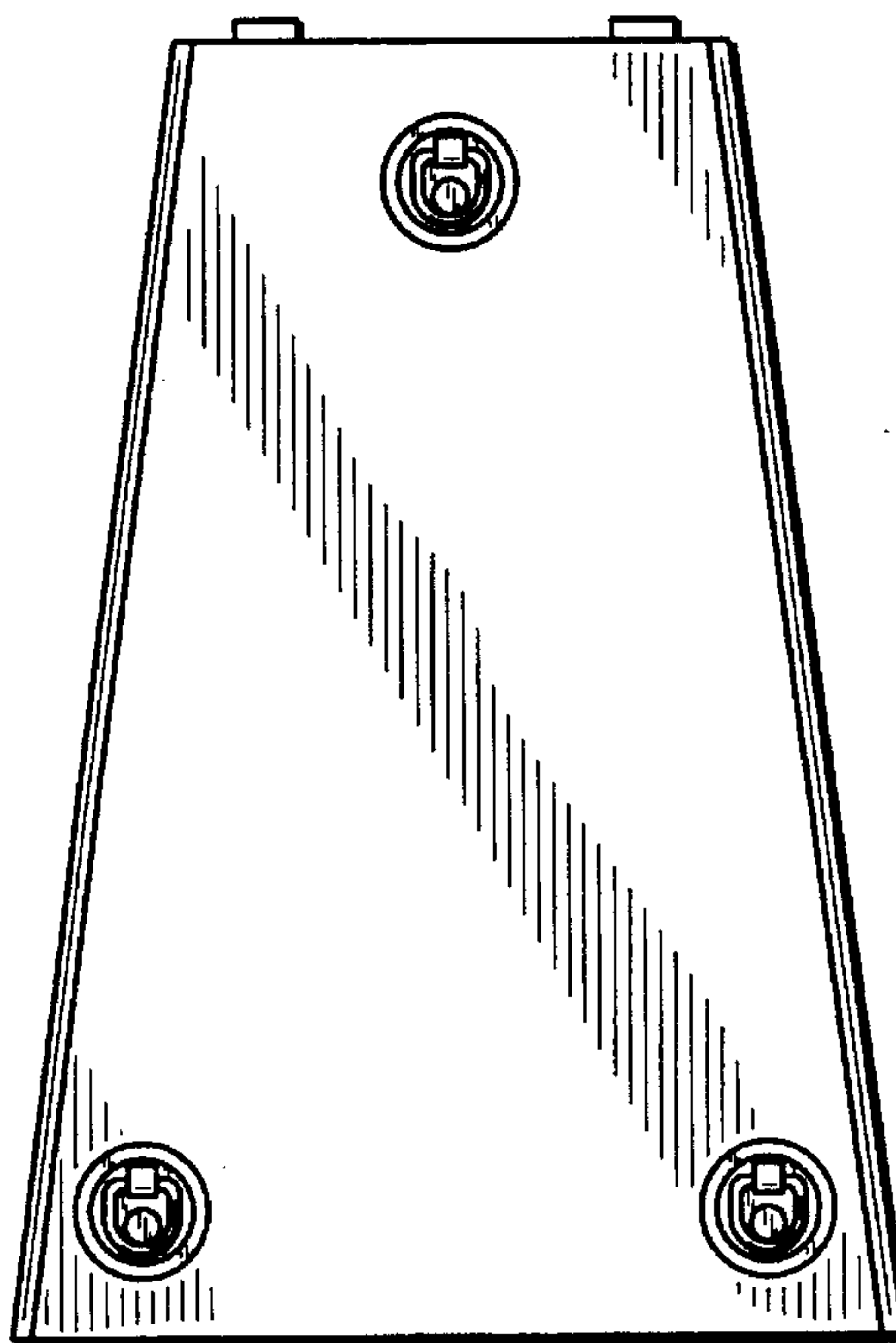


FIG._4

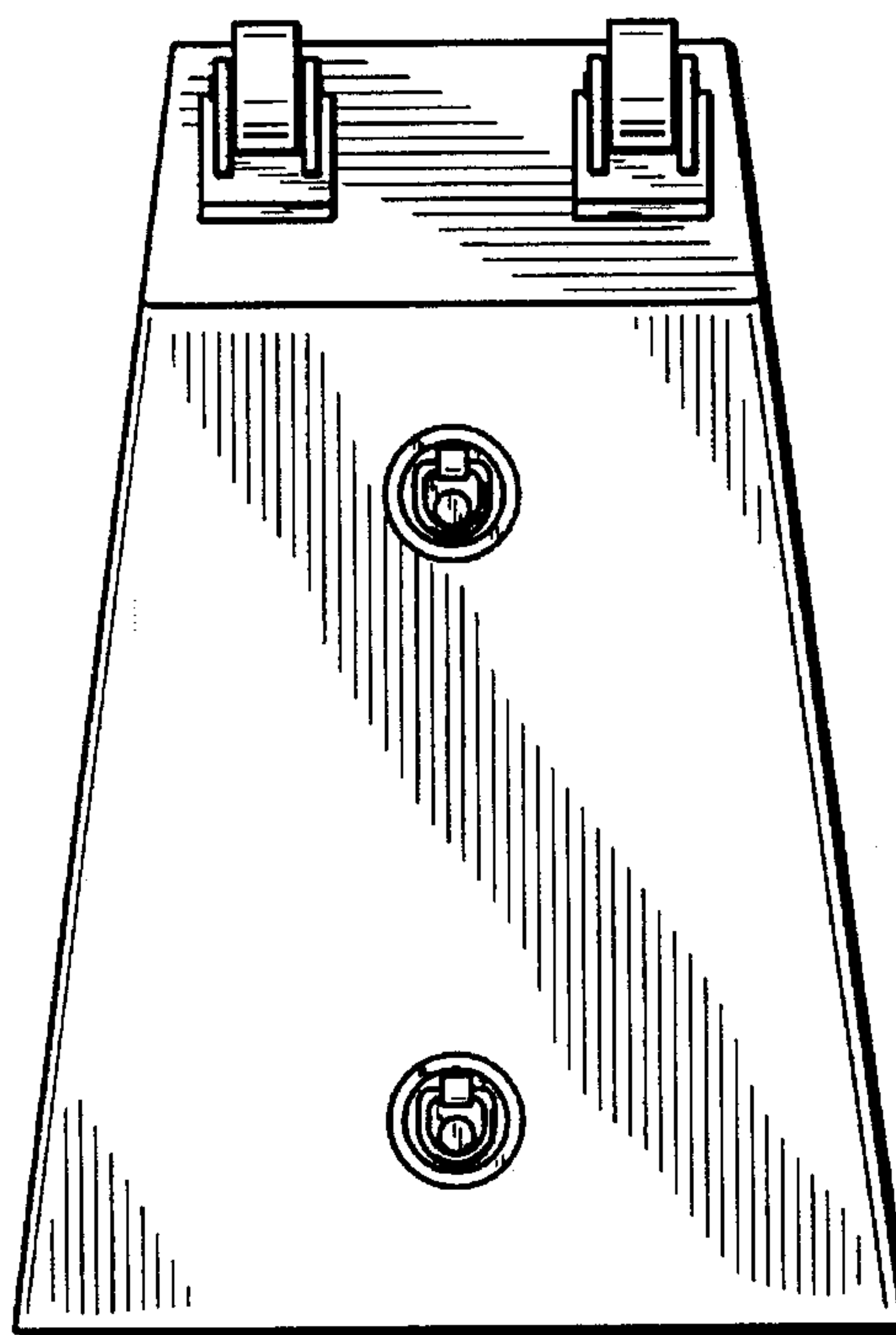


FIG._6

UNITED STATES PATENT AND TRADEMARK OFFICE
CERTIFICATE OF CORRECTION

PATENT NO. : D 375,499

Page 1 of 5

DATED : November 12, 1996

INVENTOR(S) : John D. Meyer, et al

It is certified that error appears in the above-identified patent and that said Letters Patent is hereby corrected as shown below:

On the title page, showing the illustrative figure 1, should be deleted and substitute therefor the attached title page.

The drawing sheets 1-6 should be deleted to be replaced with drawing sheets consisting of Figs. 1-6, as shown on the attached pages.

Signed and Sealed this
Twenty-ninth Day of July, 1997



Attest:

BRUCE LEHMAN

Attesting Officer

Commissioner of Patents and Trademarks

United States Patent [19]
Meyer et al.

[11] **Patent Number:** **Des. 375,499**
 [45] **Date of Patent:** ****Nov. 12, 1996**

[54] **LOUDSPEAKER**

[75] **Inventors:** **John D. Meyer, Berkeley; Jeffrey A. Weiner, Oakland; Frank Kavka, Walnut Creek, all of Calif.**

[73] **Assignee:** **Meyer Sound Laboratories Incorporated, Berkeley, Calif.**

[**] **Term:** **14 Years**

[21] **Appl. No.:** **42,391**

[22] **Filed:** **Aug. 9, 1995**

Related U.S. Application Data

[63] **Continuation-in-part of Ser. No. 35,928, Mar. 9, 1995.**

[52] **U.S. Cl.** **D14/214**

[58] **Field of Search** **D14/204, 207, D14/209-216, 219-220; 181/144-145, 147-148, 150, 157, 159, 198-199; 381/24, 88, 90, 153, 159, 186, 188, 203, 205**

[56] **References Cited**

U.S. PATENT DOCUMENTS

D. 243,023 1/1977 Robson D14/214

D. 253,592 12/1979 Takei D14/214
 D. 271,967 12/1983 Meyer et al. D14/214
 D. 328,901 8/1992 Haruyama D14/216
 D. 358,393 5/1995 Yamazaki D14/213
 4,221,929 9/1980 Fakuda 181/148 X

OTHER PUBLICATIONS

High Fidelity, Jun. 1986, p. 37, Speaker.

Primary Examiner—Ted Shooman

Assistant Examiner—Nanda Bondade

Attorney, Agent, or Firm—Donald L. Beeson

[57] **CLAIM**

The ornamental design for a loudspeaker, as shown and described.

DESCRIPTION

FIG. 1 is a top perspective view of a loudspeaker showing our new design;

FIG. 2 is a front elevational view thereof;

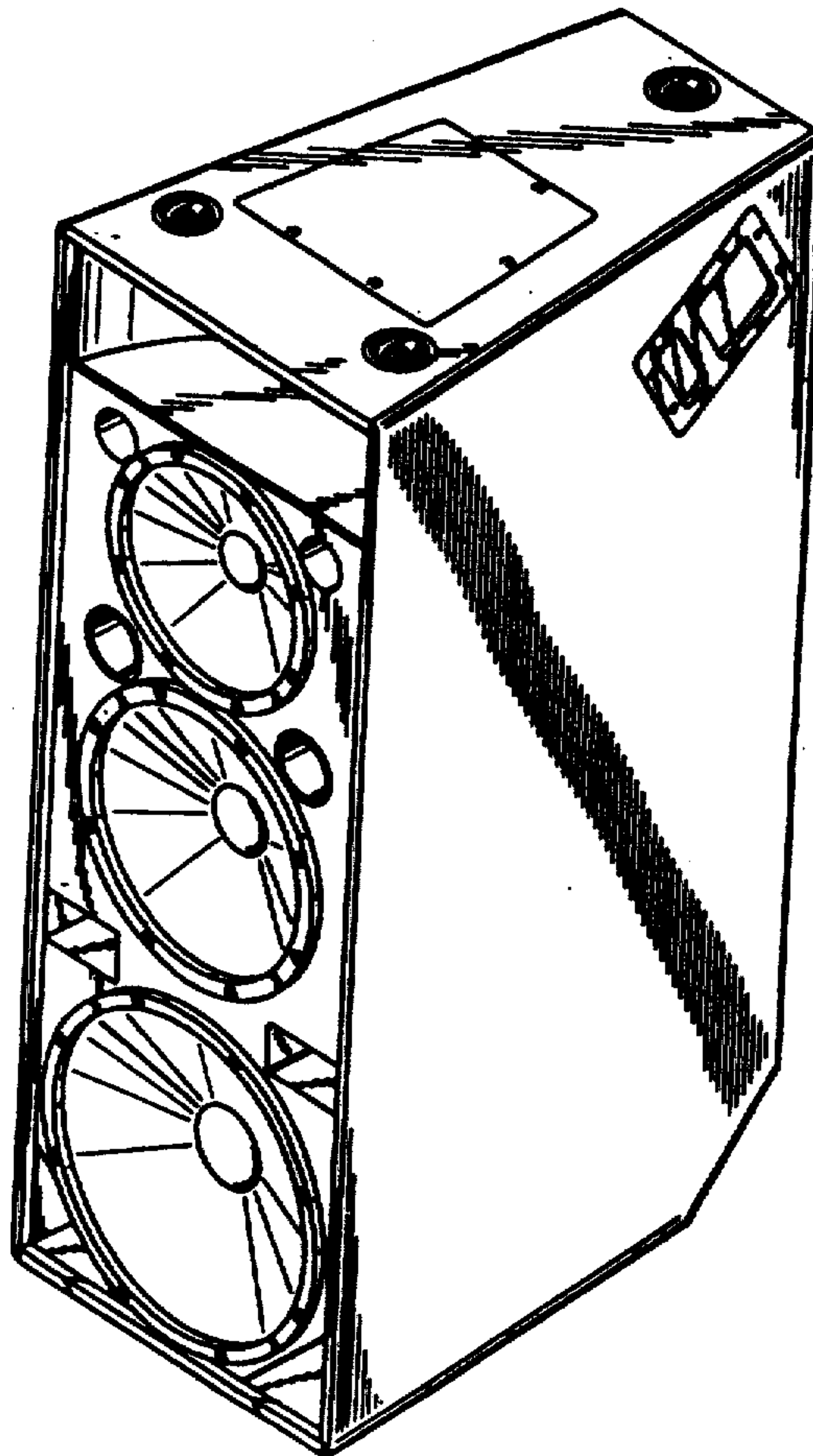
FIG. 3 is a right side elevational view thereof, the left side being a mirror image;

FIG. 4 is a top plan view thereof;

FIG. 5 is a rear elevational view thereof; and,

FIG. 6 is a bottom plan view thereof.

1 Claim, 3 Drawing Sheets



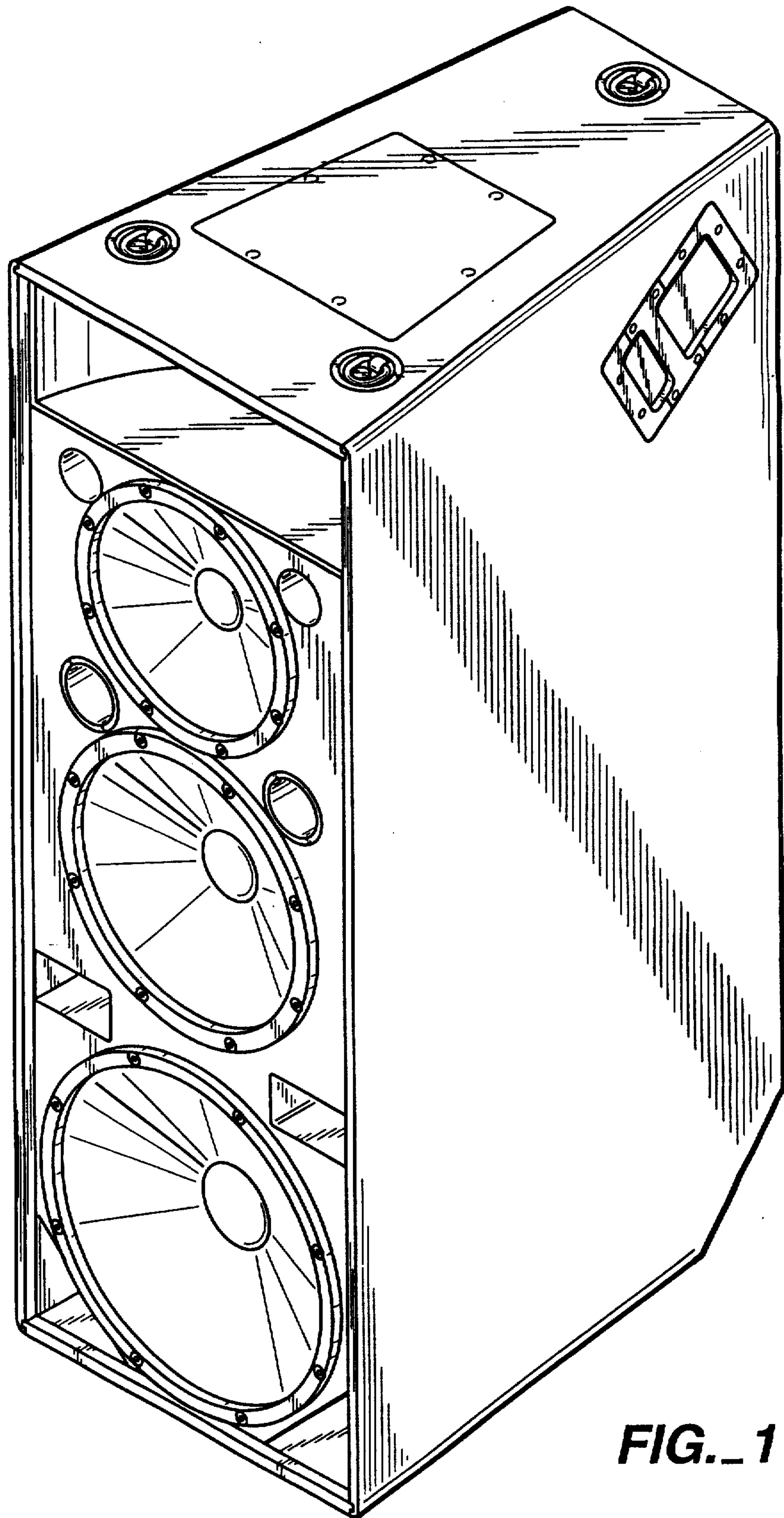


FIG. 1

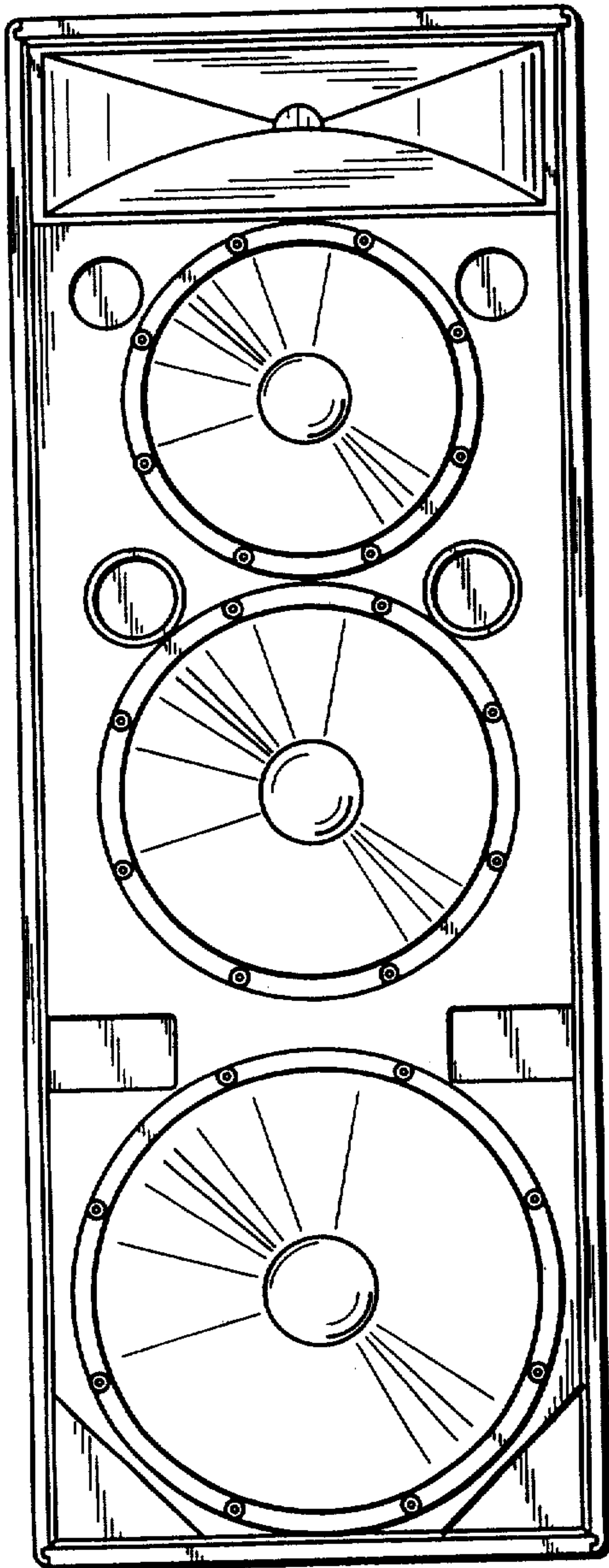


FIG. 2

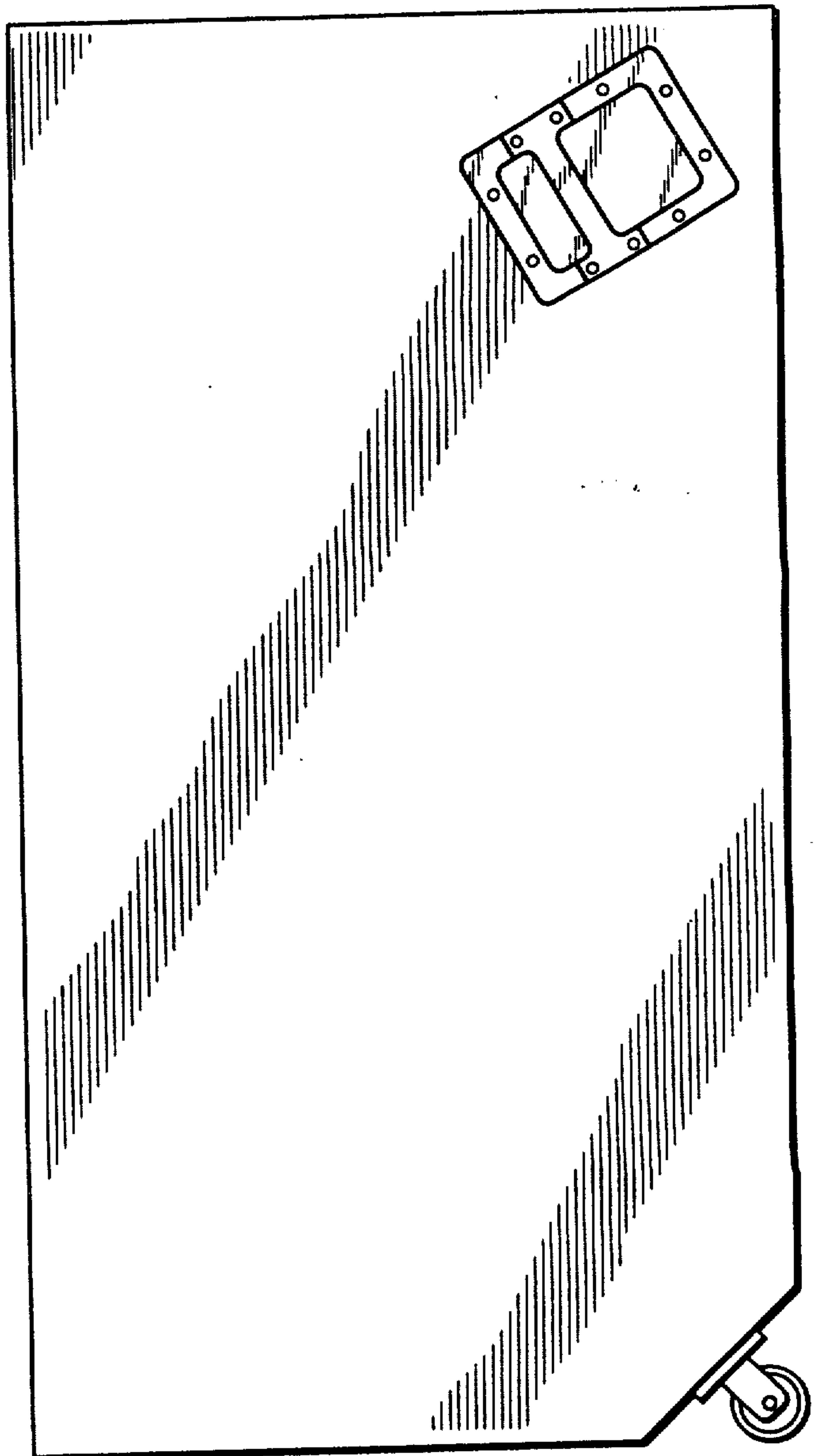


FIG. 3

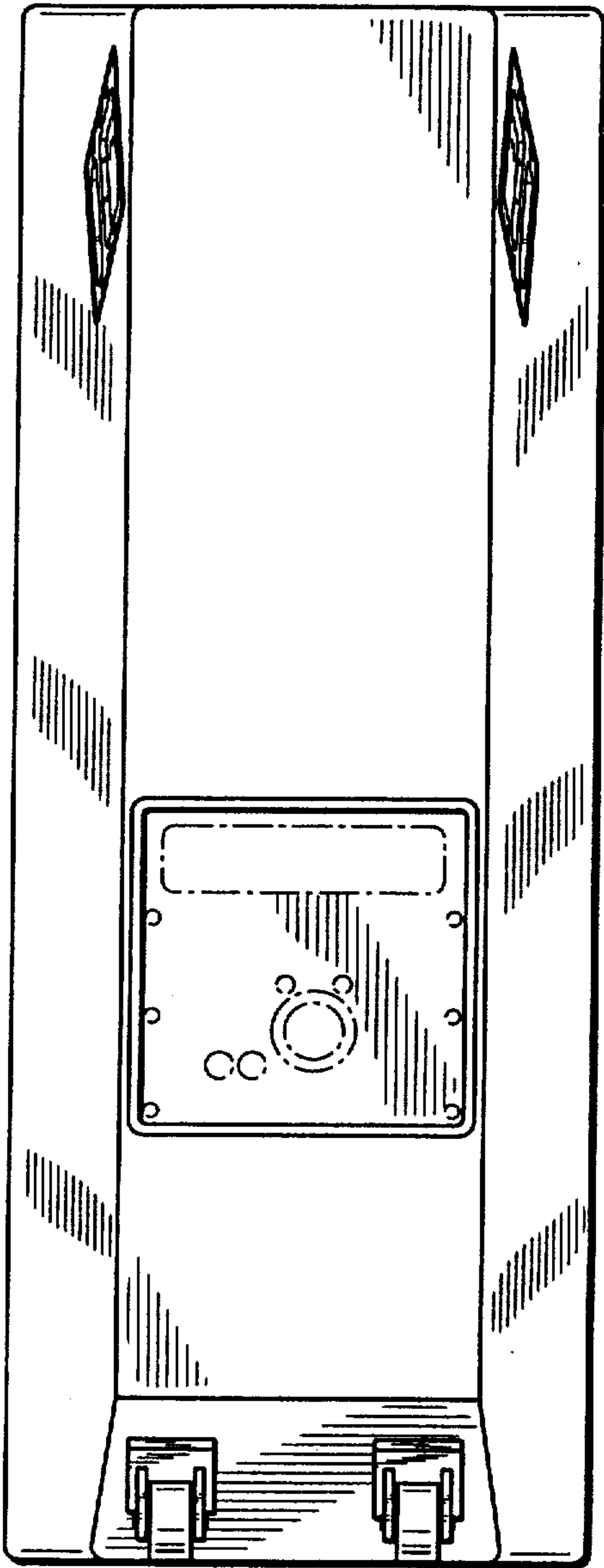


FIG. 5

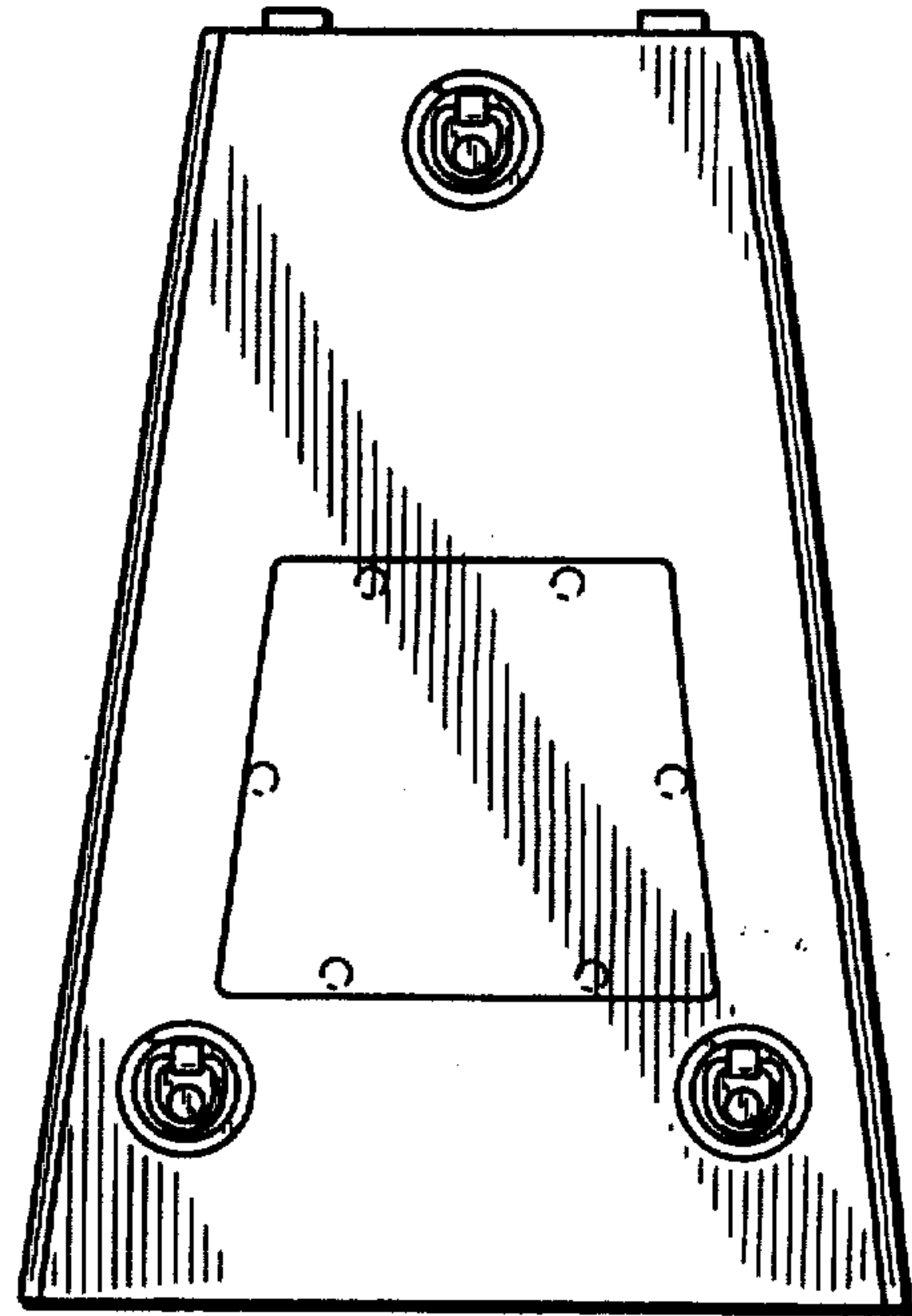


FIG. 4

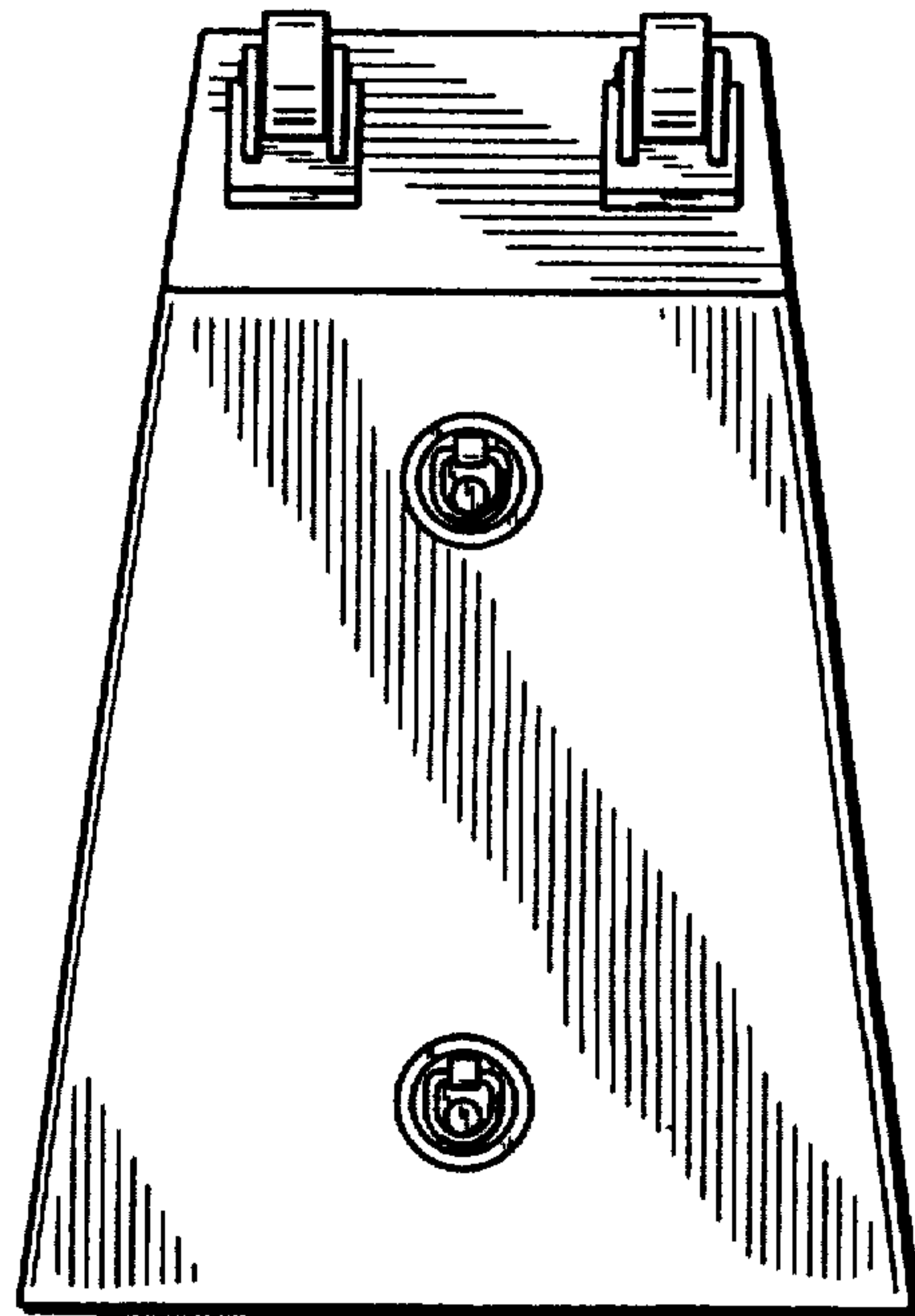


FIG. 6