



US00D375496S

# United States Patent [19]

[11] Patent Number: **Des. 375,496**

Jensen et al.

[45] Date of Patent: **\*\*Nov. 12, 1996**

## [54] TELEPHONE APPARATUS

## FOREIGN PATENT DOCUMENTS

[75] Inventors: **Finn Jensen, Struer; Steve McGugan,**  
Copenhagen, both of Denmark

0144130 7/1986 Japan ..... D14/147 X

[73] Assignee: **GN Netcom,** Denmark

## OTHER PUBLICATIONS

[\*\*] Term: **14 Years**

The Sharper Image, Dec. 1987, p. 9, Liteset Cordless At Bottom Of Page.

Lifestyle Fascination, Jul. 1993, Audissey Hands Free Phone, p. 39.

[21] Appl. No.: **43,531**

*Primary Examiner*—Jeffrey Asch

[22] Filed: **Sep. 6, 1995**

*Attorney, Agent, or Firm*—Merchant, Gould, Smith, Edell, Welter & Schmidt

[52] U.S. Cl. .... **D14/150; D14/243**

[58] Field of Search ..... D14/137, 148,  
D14/140, 142, 147, 138, 149–151, 240,  
243, 100, 218, 151, 155, 247; 379/419,  
420, 428, 440, 58–61, 430, 433–436; D13/164;  
D18/7; D21/13, 48

## [57] CLAIM

The ornamental design for a telephone apparatus, as shown and described.

## DESCRIPTION

## [56] References Cited

### U.S. PATENT DOCUMENTS

D. 303,258	9/1989	Weiser et al. ....	D14/138
D. 303,388	9/1989	Mo .....	D14/151
D. 305,018	12/1989	Pena et al. ....	D13/164
D. 308,971	7/1990	Weiser et al. ....	D14/148 X
D. 309,889	8/1990	Cheng .....	D14/218 X
D. 310,209	8/1990	Kasprzycki .....	D14/100
D. 313,995	1/1991	De Arri .....	D14/151
D. 327,886	7/1992	Yan .....	D14/155 X
D. 340,916	11/1993	Iimura .....	D14/100
D. 343,614	1/1994	Khoo et al. ....	D14/142 X
D. 360,195	7/1995	Kimbrough et al. ....	D14/100
5,058,155	10/1991	Larsen .....	379/430 X
5,099,514	3/1992	Acree .....	379/430 X

FIG. 1 is a top front left side perspective view of our invention;

FIG. 2 is a top plan view;

FIG. 3 is a front view;

FIG. 4 is a rear view;

FIG. 5 is a left side view;

FIG. 6 is a right side view;

FIG. 7 is a top, front left side perspective view of a second embodiment of that shown in FIG. 1;

FIG. 8 is a top plan view;

FIG. 9 is a front view;

FIG. 10 is a rear view;

FIG. 11 is a left side view; and,

FIG. 12 is a right side view.

**1 Claim, 4 Drawing Sheets**

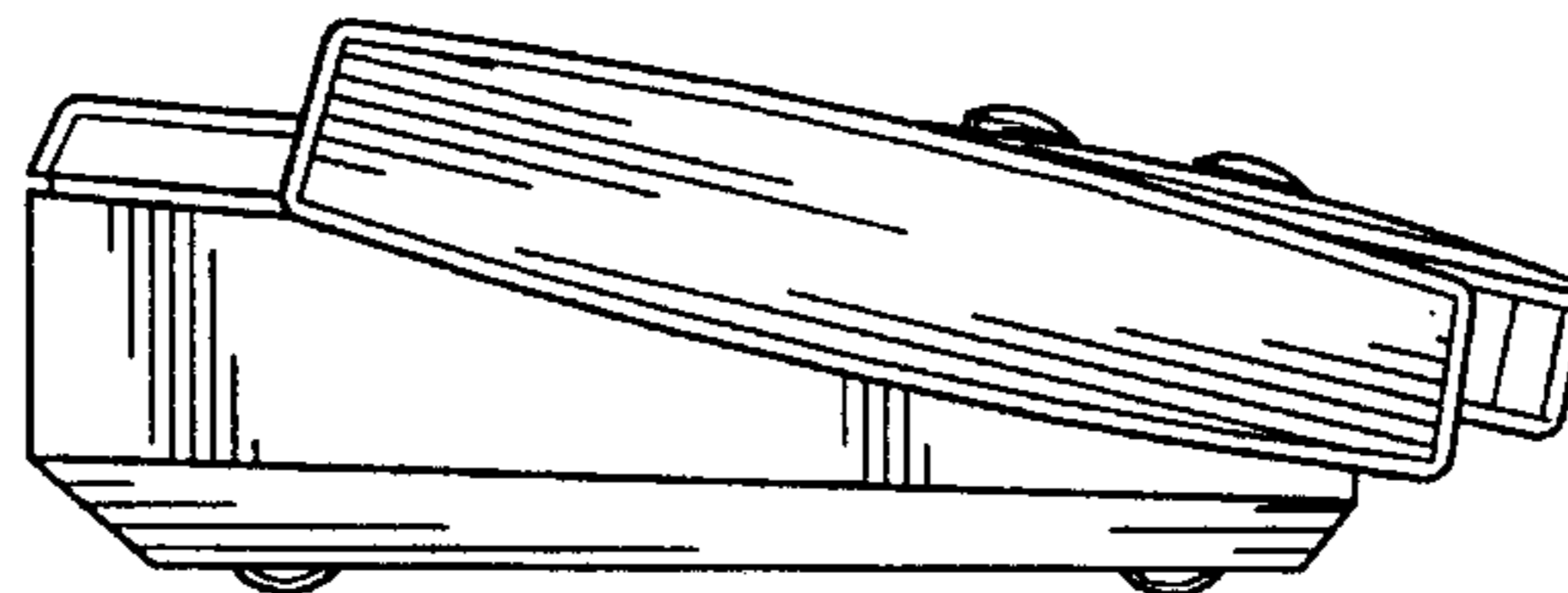
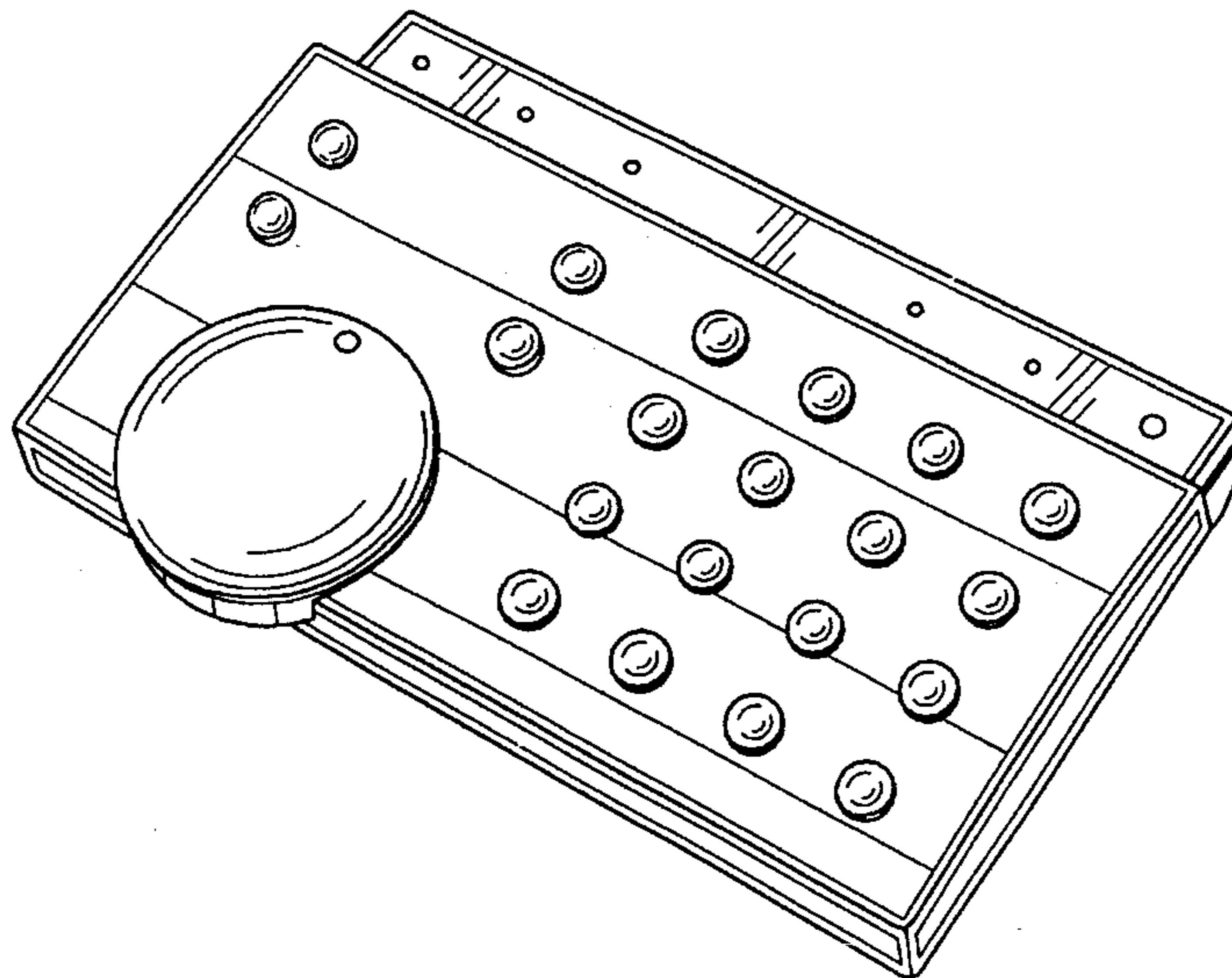


FIG. 1

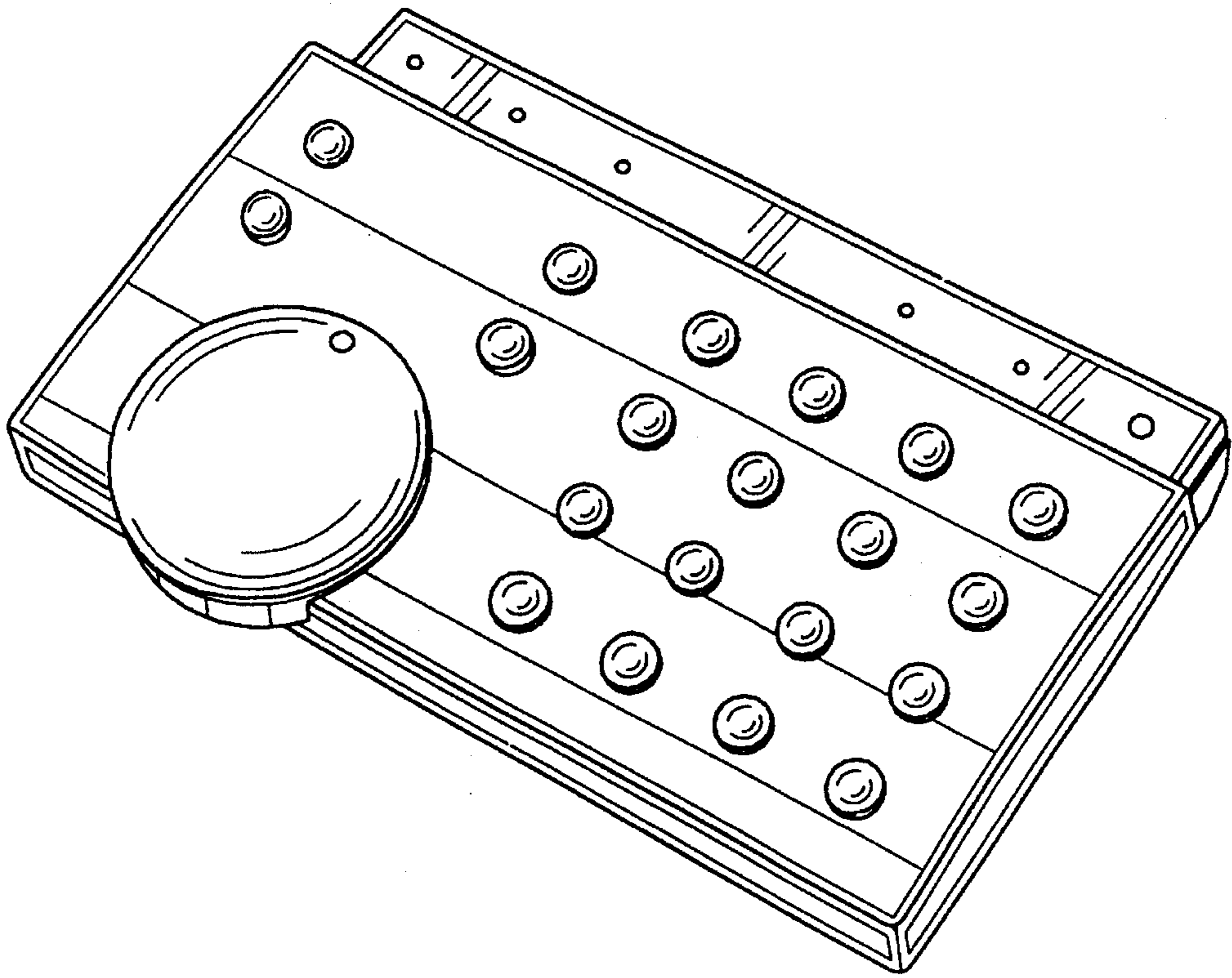


FIG. 2

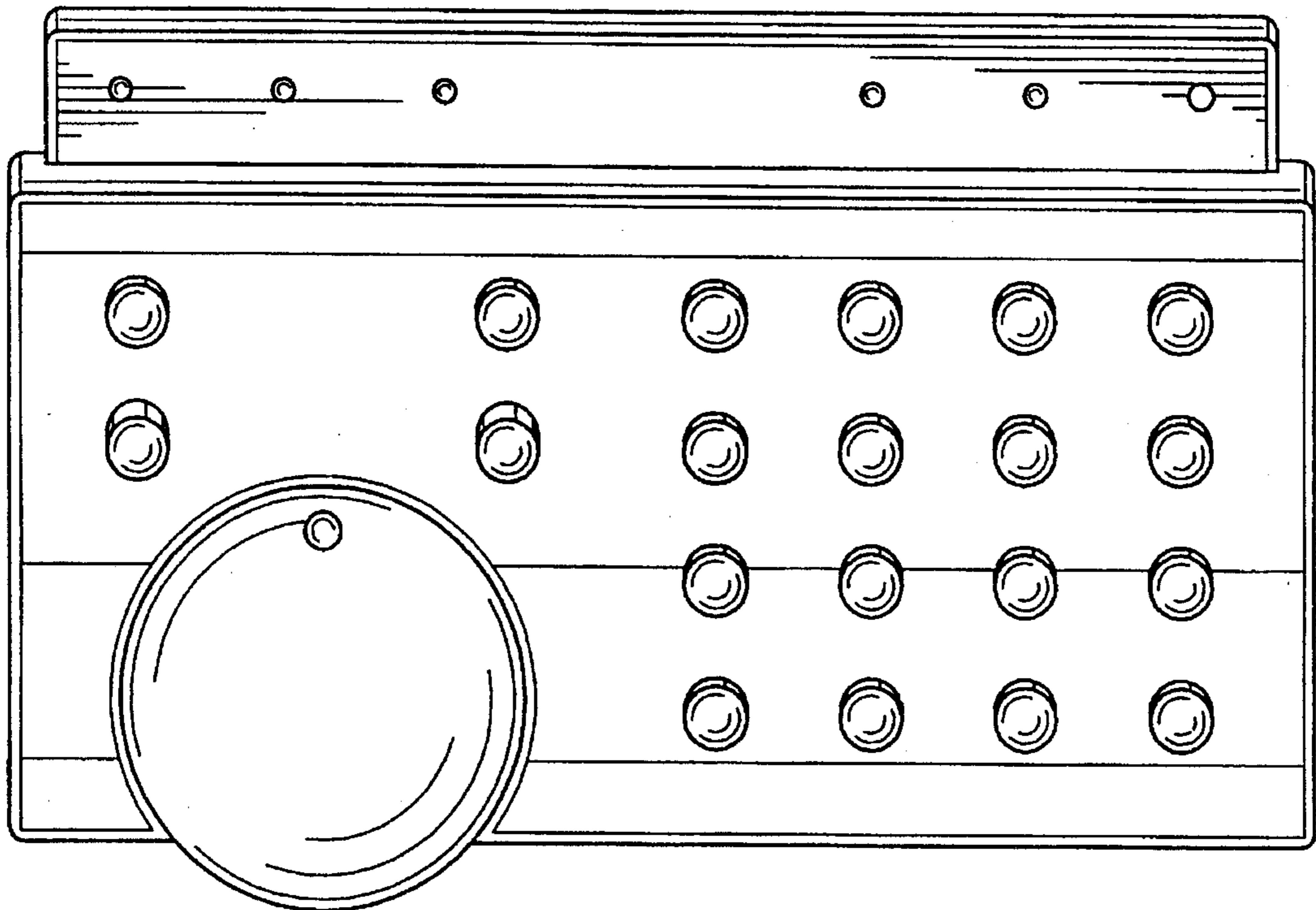


FIG. 3

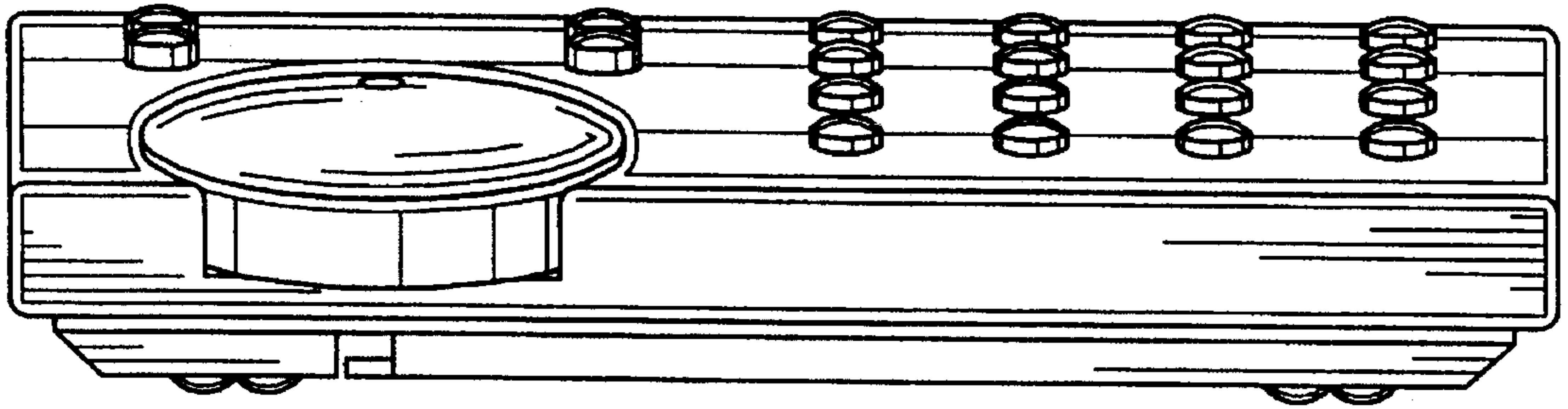


FIG. 4

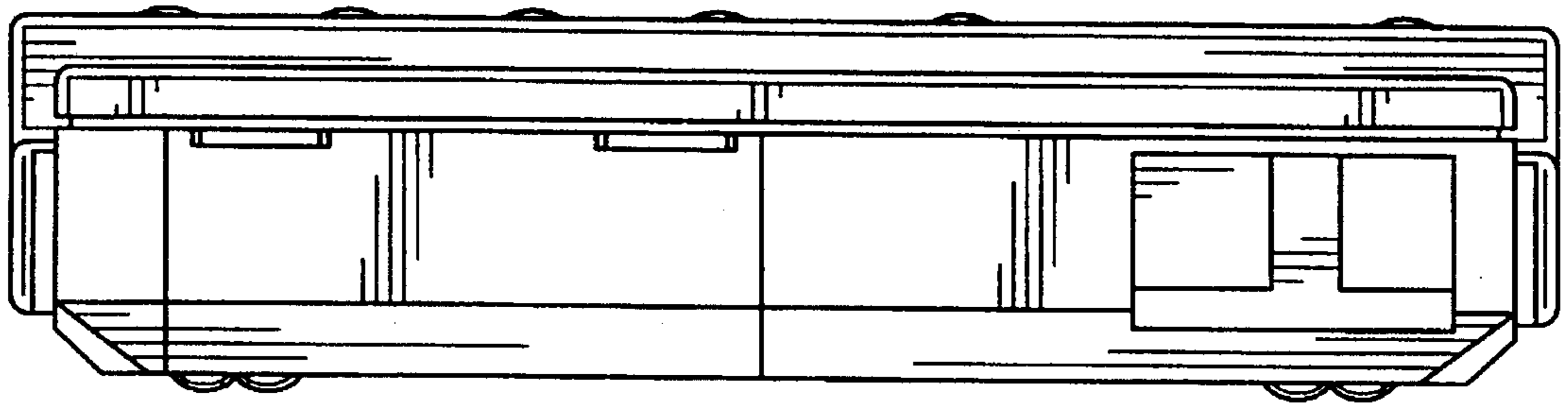


FIG. 5

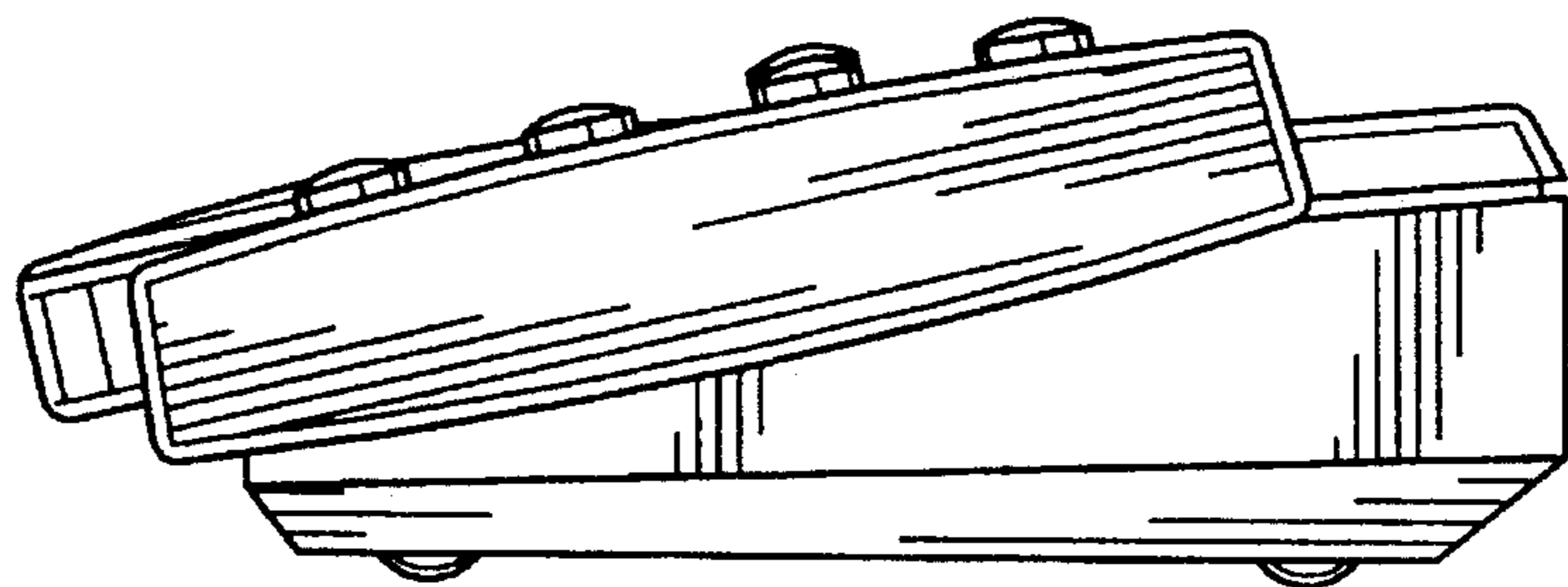


FIG. 6

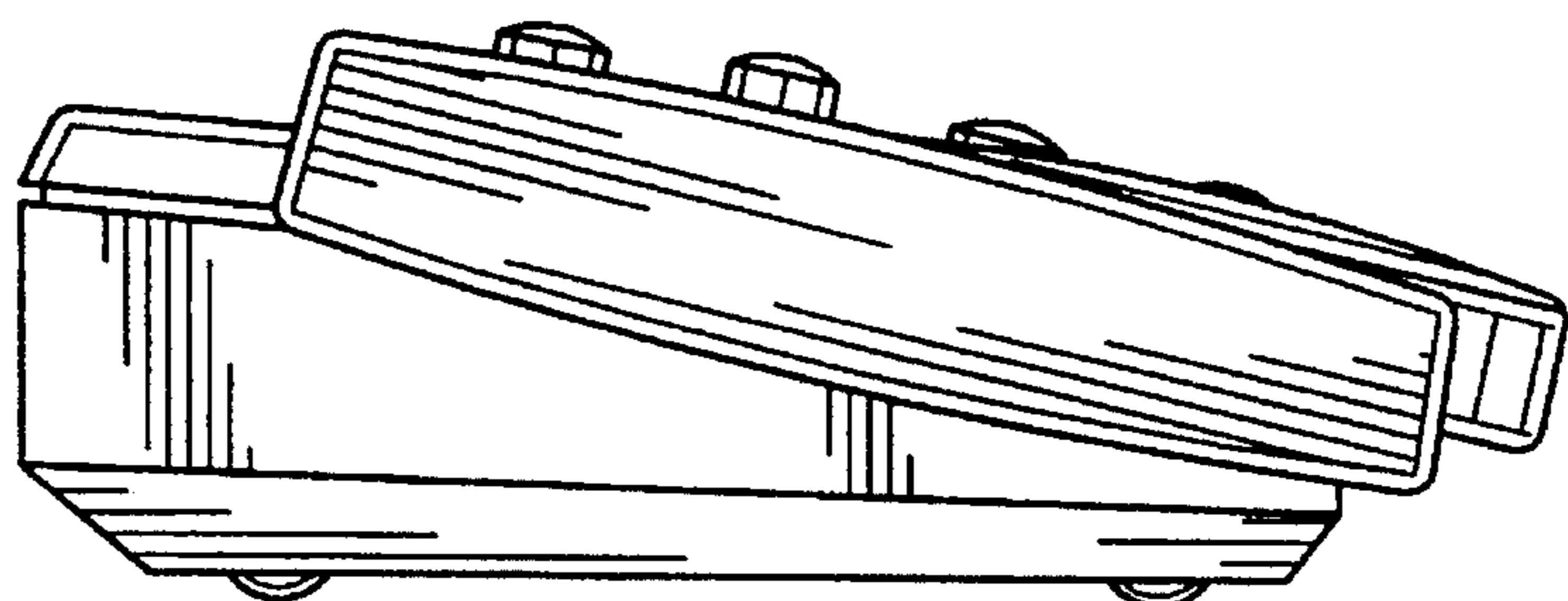




FIG. 7

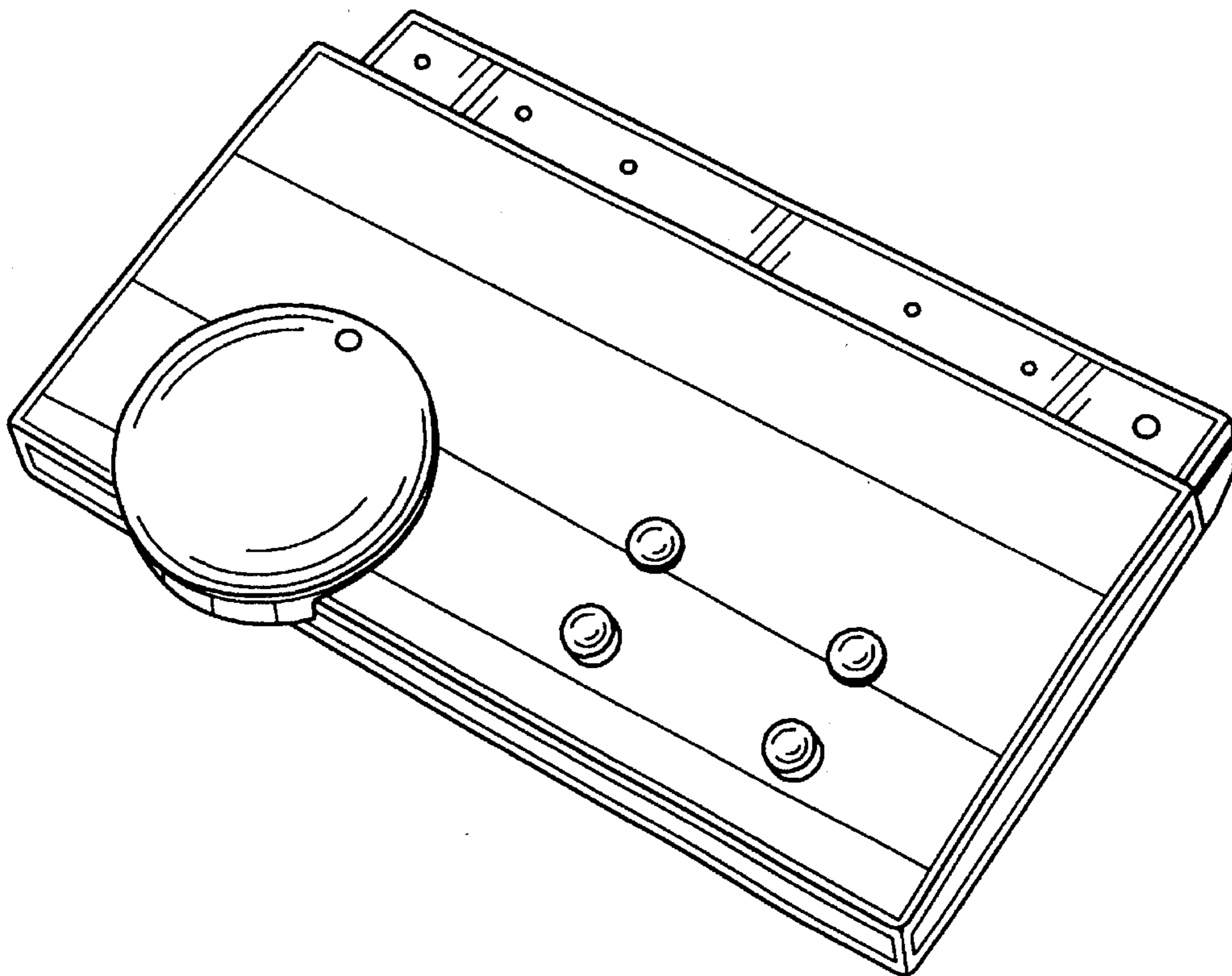


FIG. 8

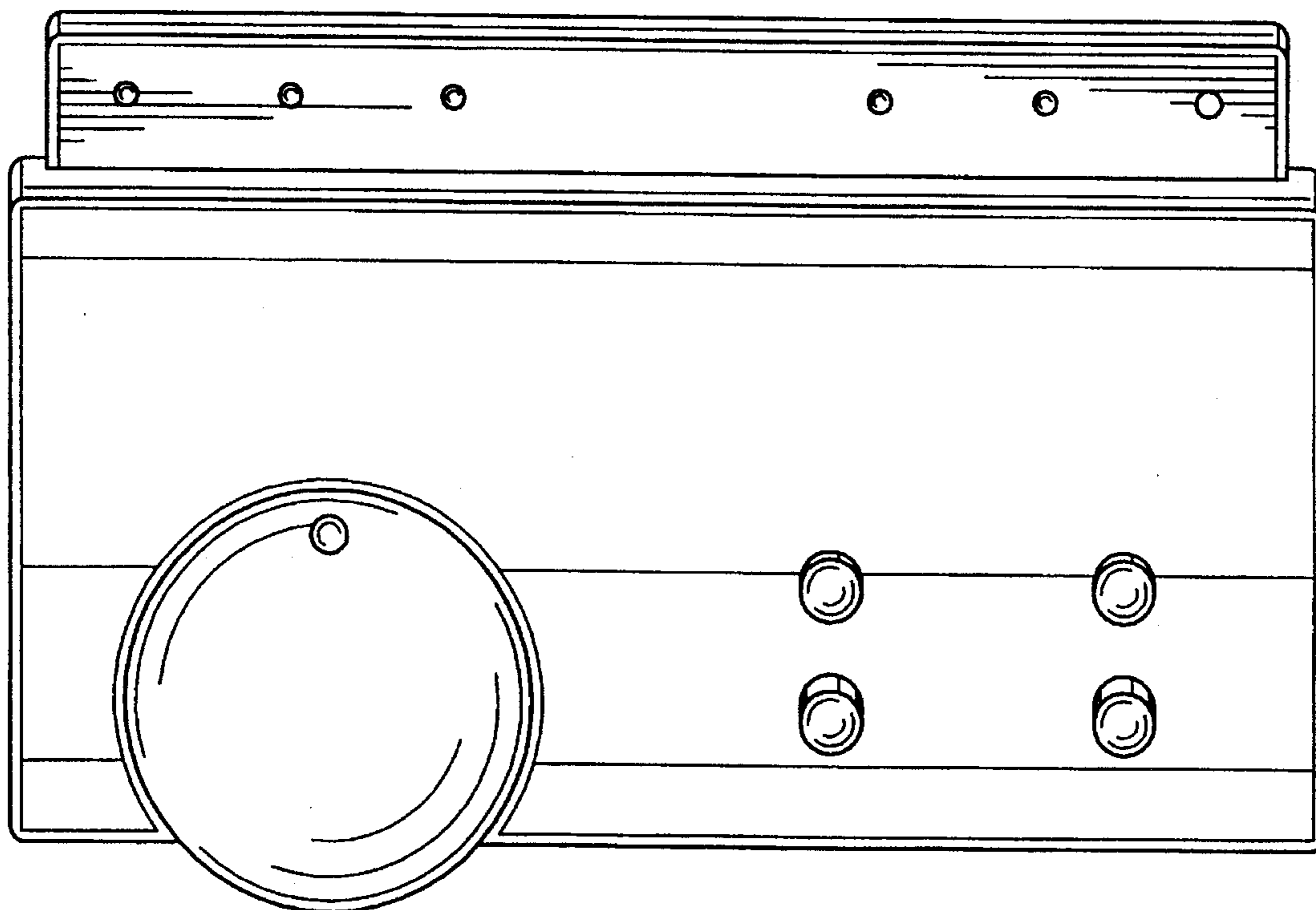


FIG. 9

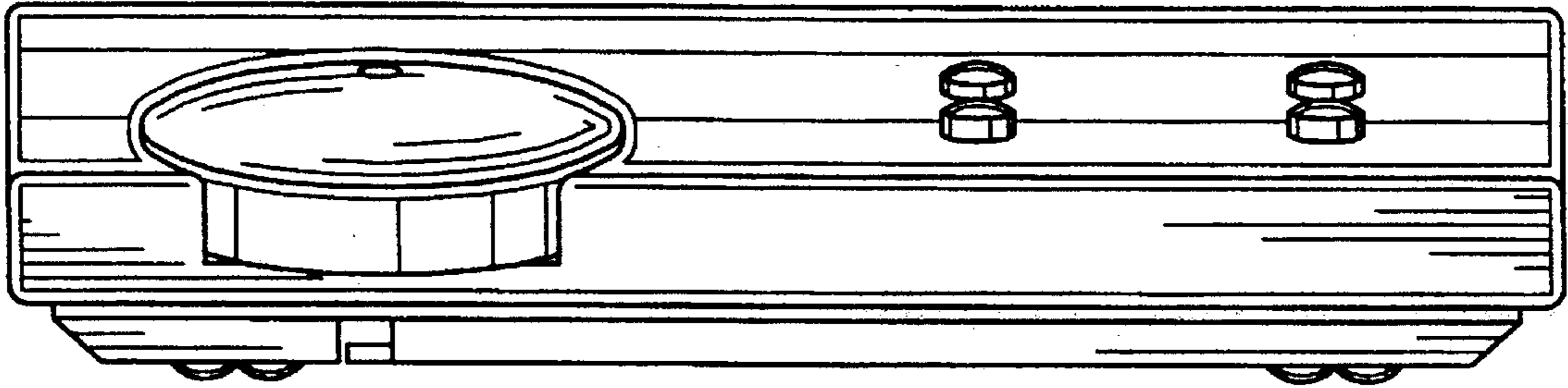


FIG. 10

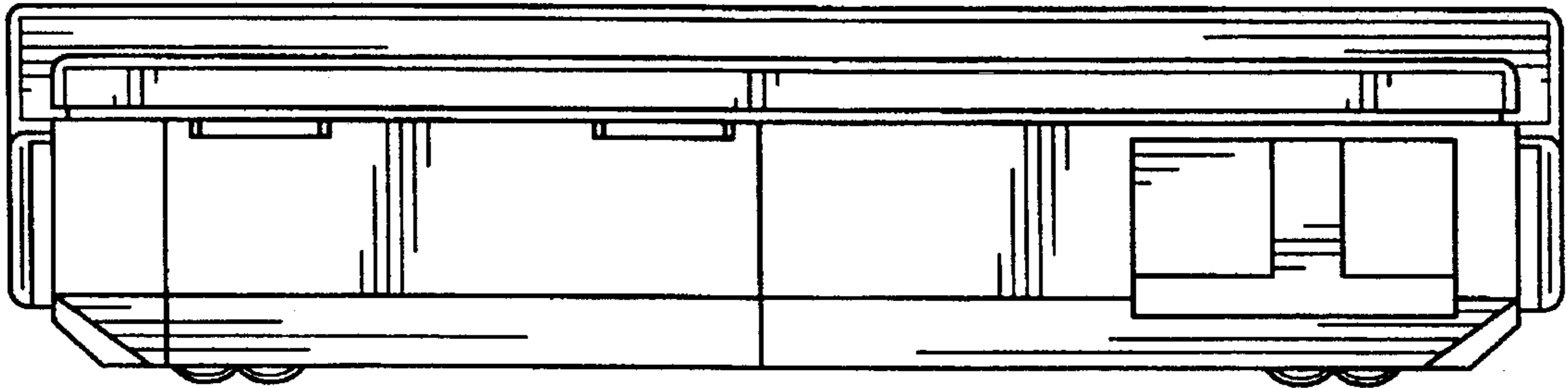


FIG. 11

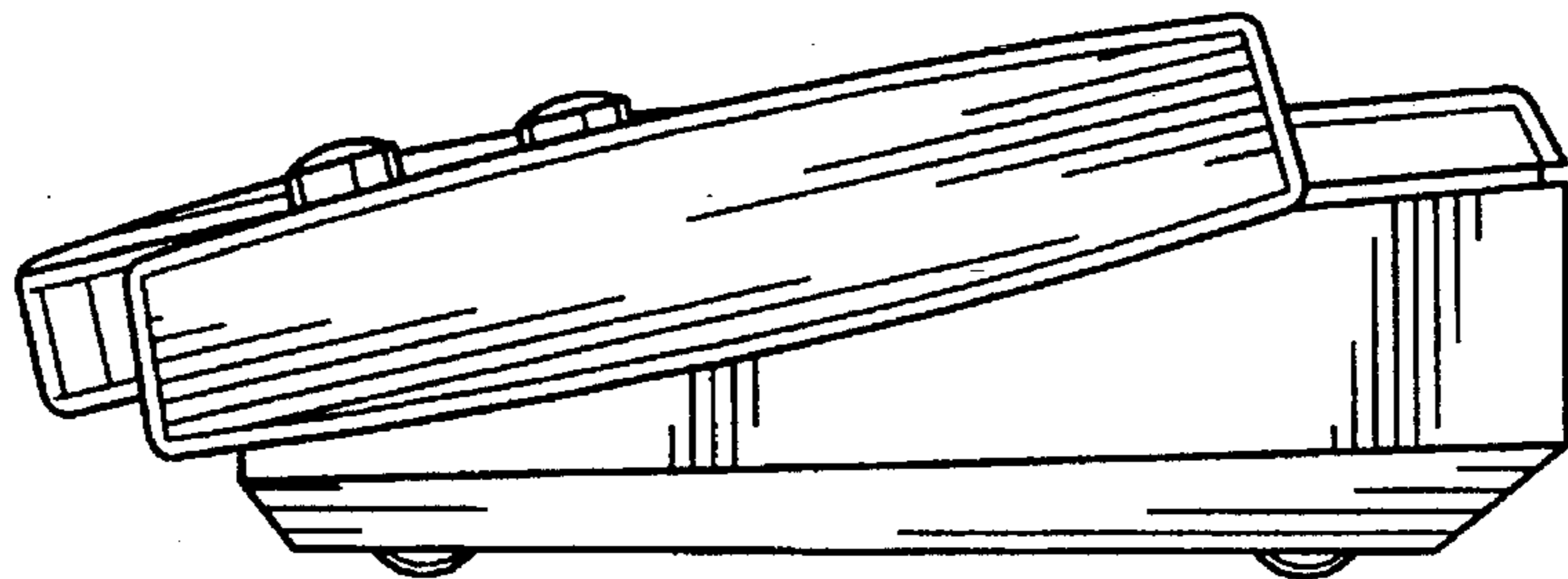


FIG. 12

