



US00D375494S

United States Patent [19]

[11] Patent Number: **Des. 375,494**

Urlik

[45] Date of Patent: ****Nov. 12, 1996**

[54] **FILM REEL**

5,226,610 7/1993 Urlik 242/55

[76] Inventor: **Randy Urlik**, 8093 S. Jackson St.,
Littleton, Colo. 80122

Primary Examiner—Prabhakar G. Deshmukh
Attorney, Agent, or Firm—Terry M. Gernstein

[**] Term: **14 Years**

[57] CLAIM

[21] Appl. No.: **51,232**

The ornamental design for a film reel, as shown and described.

[22] Filed: **Mar. 6, 1996**

DESCRIPTION

[52] U.S. Cl. **D14/122**

[58] Field of Search D14/120, 122,
D14/123; 242/345, 345.1, 345.2, 345.3,
614, 614.1, 324, 370, 224, 227, 398

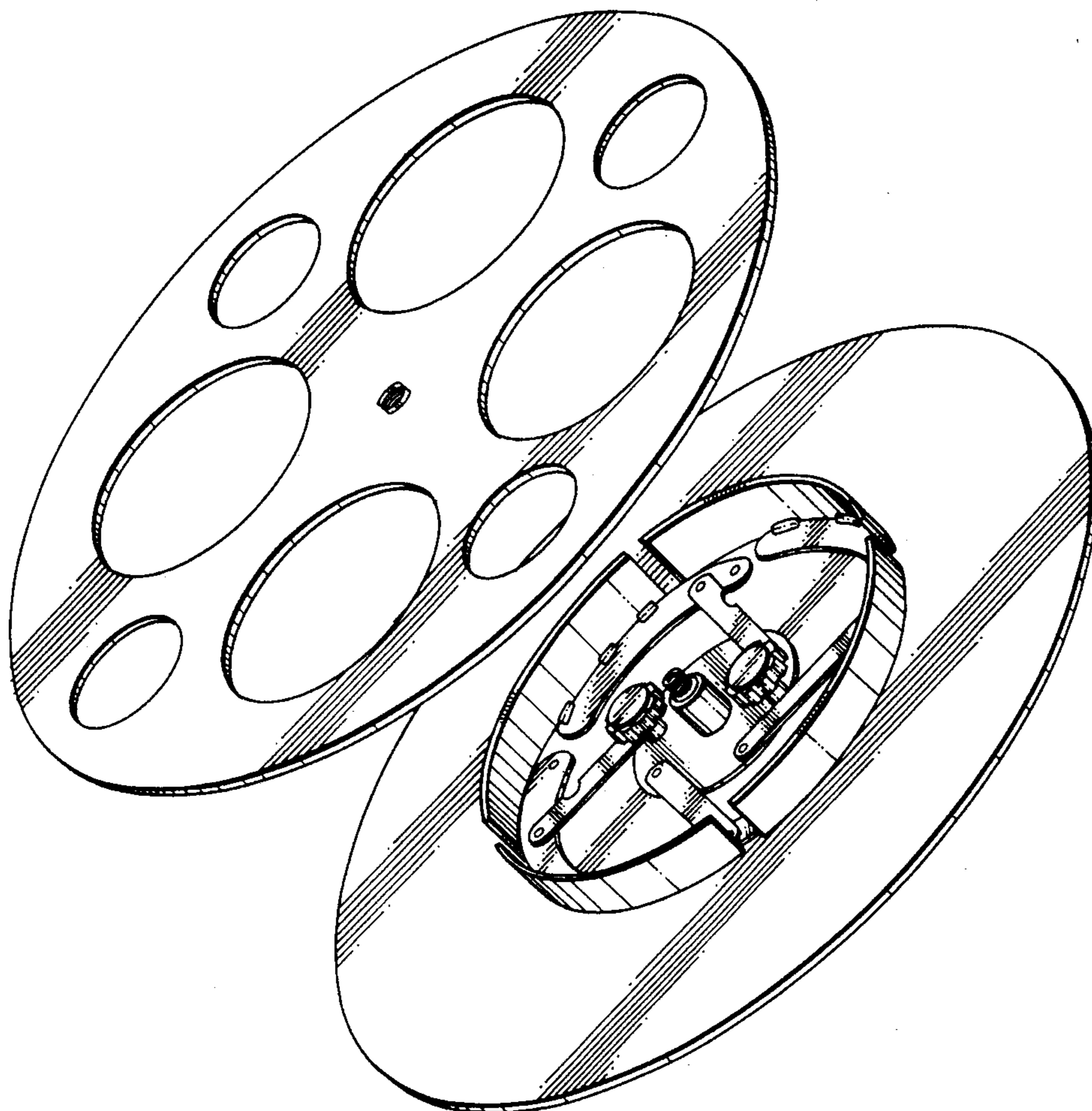
FIG. 1 is an exploded perspective view of the film reel showing my new design;
FIG. 2 is a top plan view thereof in the assembled condition;
FIG. 3 is a bottom plan view thereof;
FIG. 4 is a side elevational view thereof in the disassembled condition, with the side opposite being identical to the side shown in FIG. 4;
FIG. 5 is a front elevational view thereof in the disassembled condition, the rear being a mirror image of the front shown in FIG. 5; and,
FIG. 6 is a top plan view thereof with the top removed, and as strip of film shown in dotted lines. The strip of film is shown as having undetermined length, and is shown in dotted lines to indicate that the film is not part of the claimed invention.

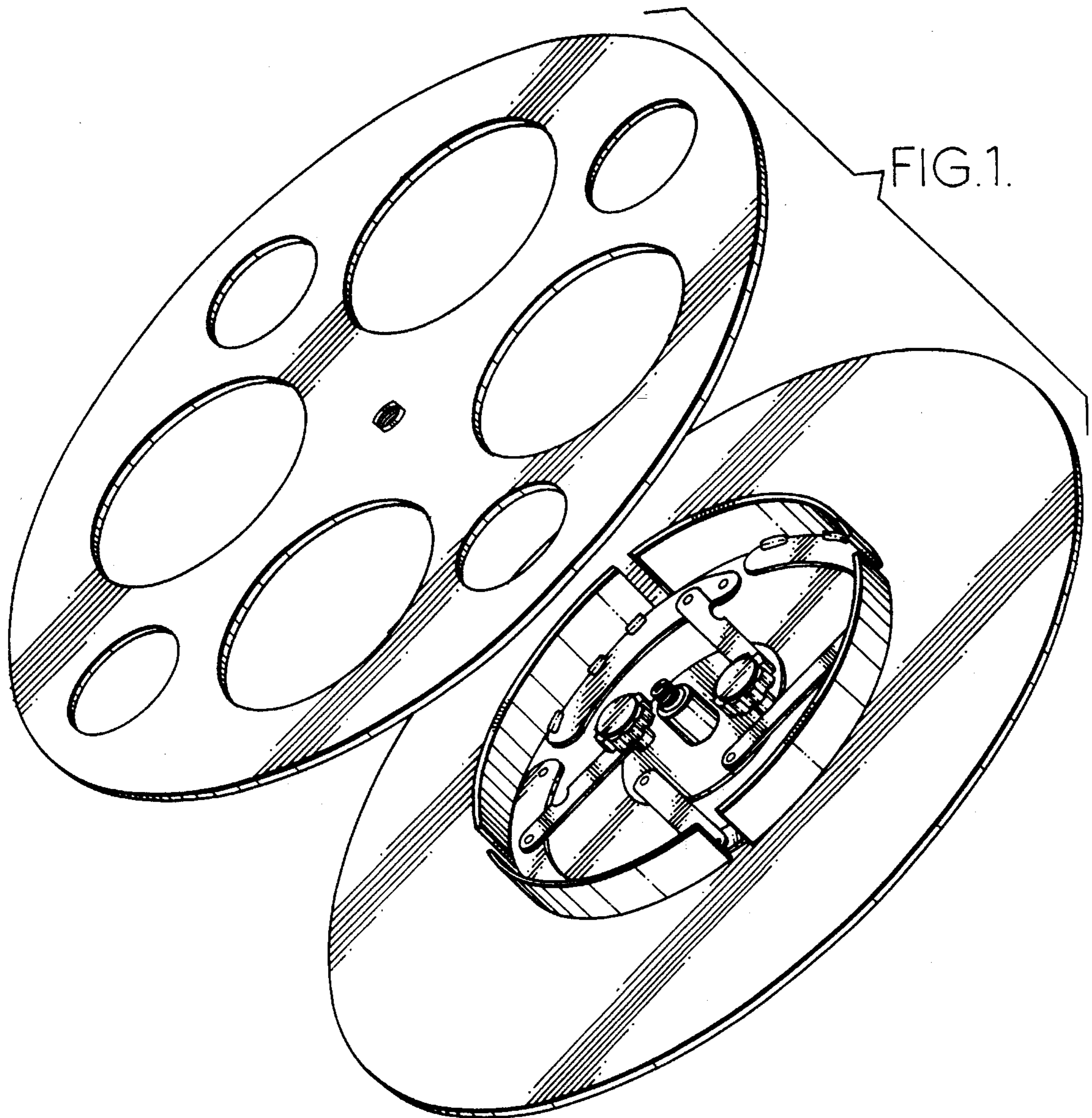
[56] References Cited

U.S. PATENT DOCUMENTS

D. 138,559	8/1944	Goldberg	D14/122
D. 187,329	3/1960	Walsh et al.	D14/122
D. 240,192	6/1976	Balmer, Jr.	D14/122
D. 363,930	11/1995	Bailey et al.	D14/122
2,358,504	9/1944	Goldberg	D14/122 X
2,473,337	6/1949	Karr	D14/122 X
2,545,004	3/1951	Ortenblad et al.	D14/122 X
2,695,140	11/1954	Haugaard	D14/122 X
4,846,419	7/1989	Tateno et al.	242/614
5,199,661	4/1993	Gelardi et al.	242/342.2

1 Claim, 4 Drawing Sheets





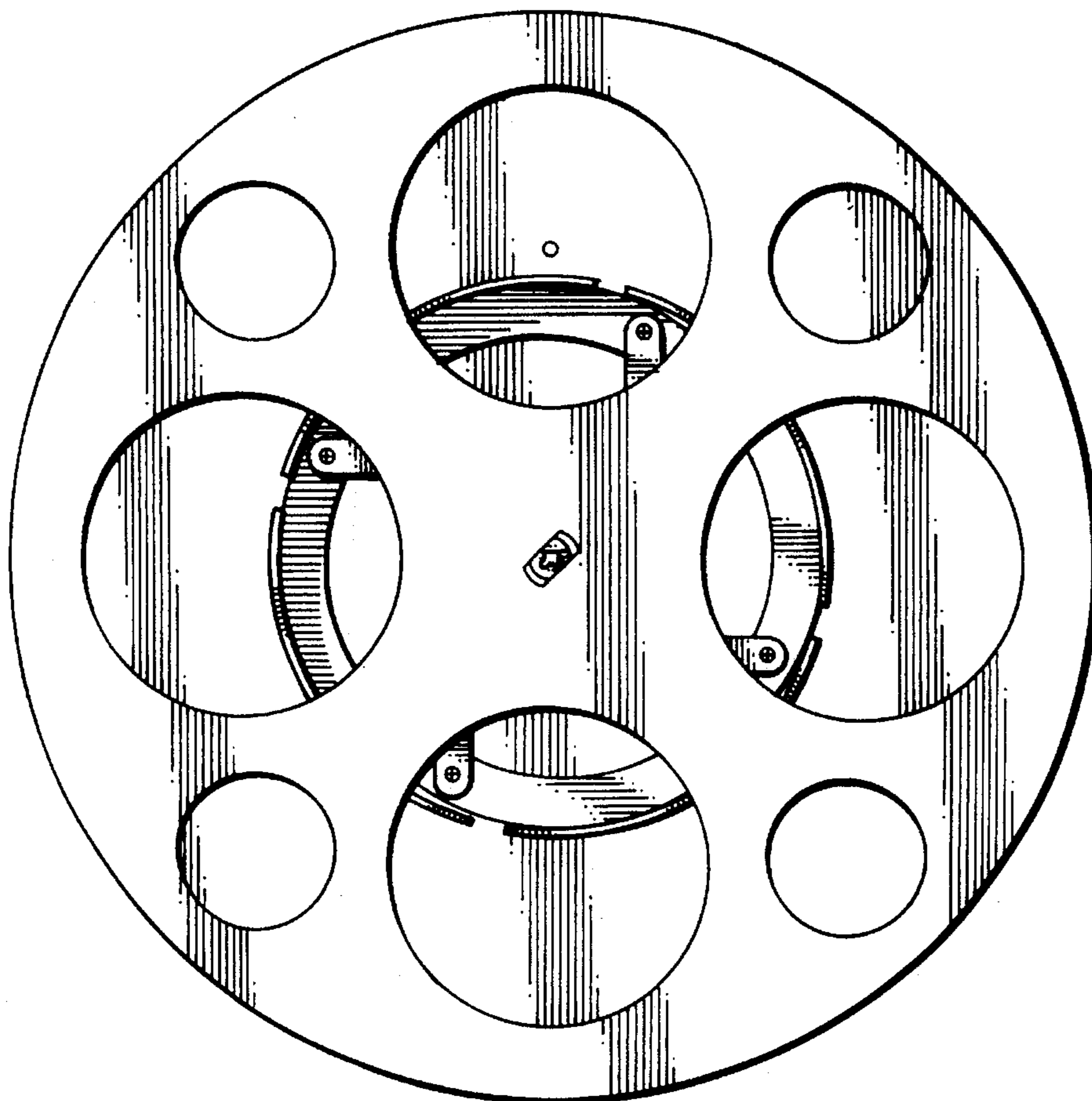
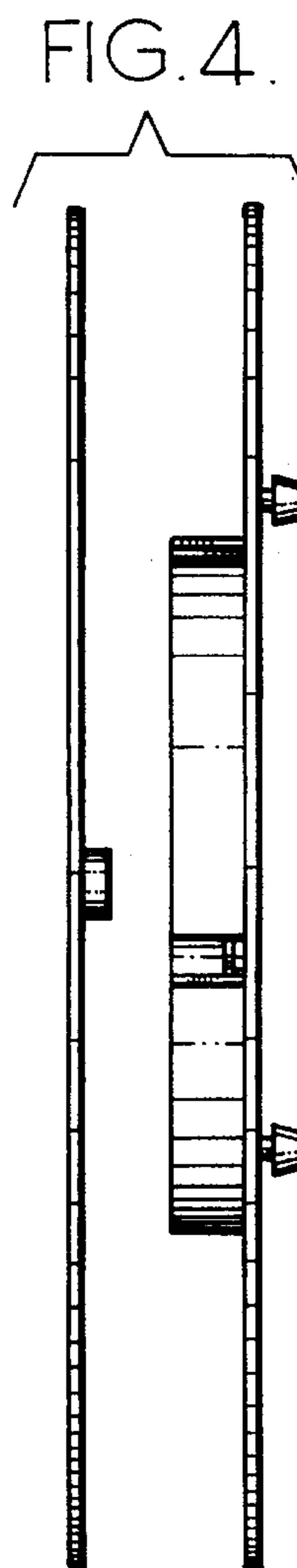


FIG. 2.



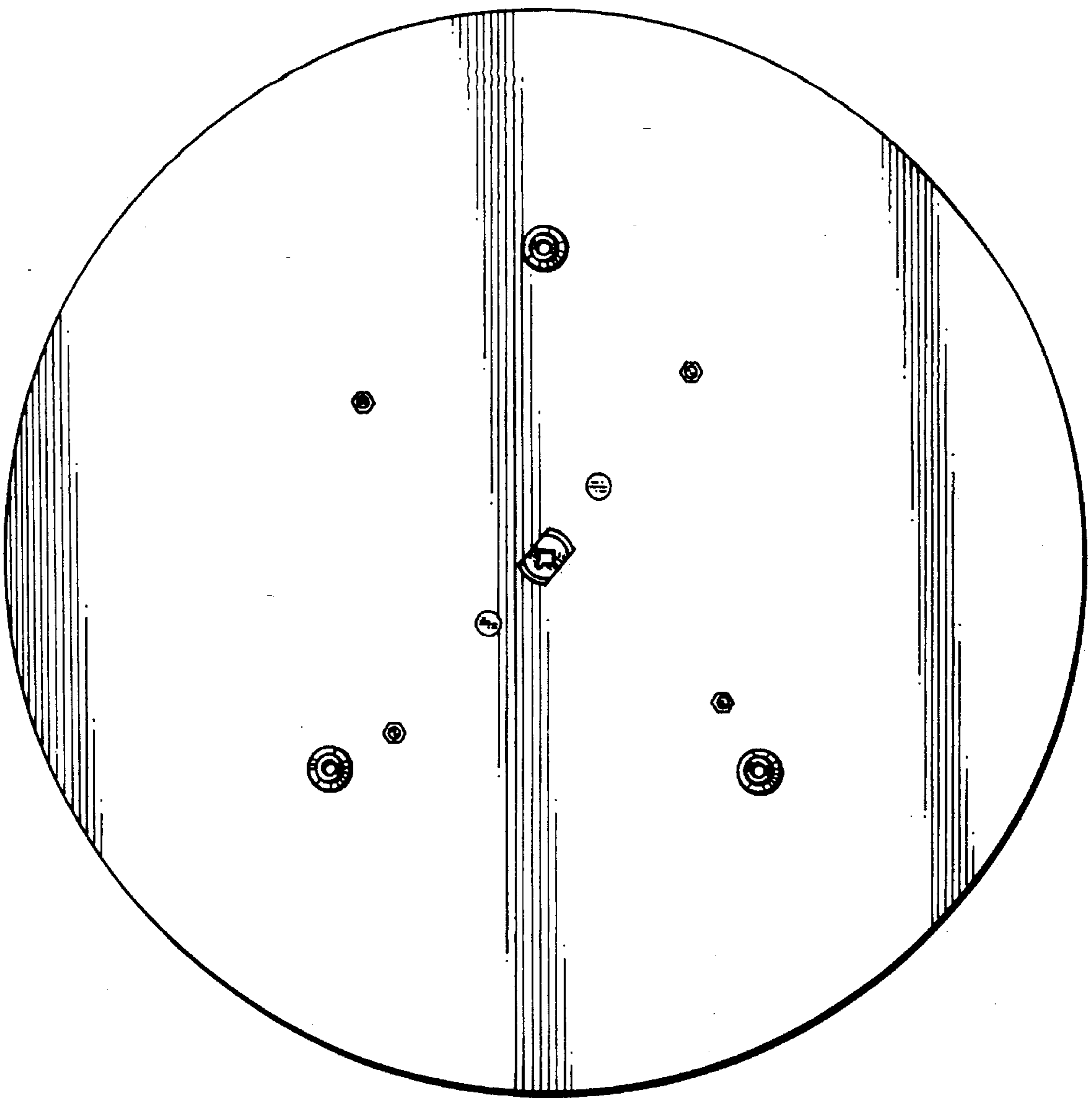


FIG. 3.

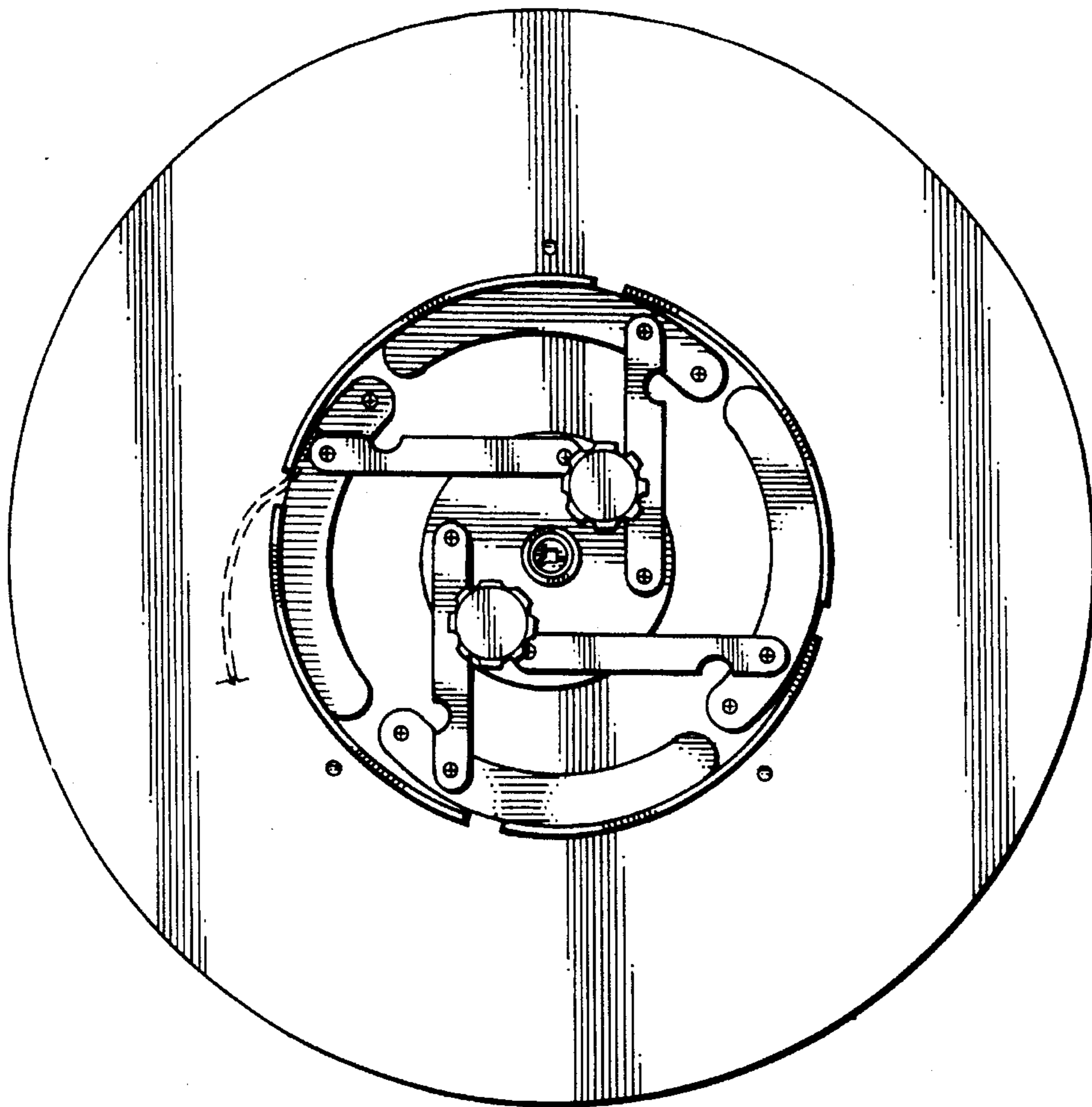


FIG. 6.

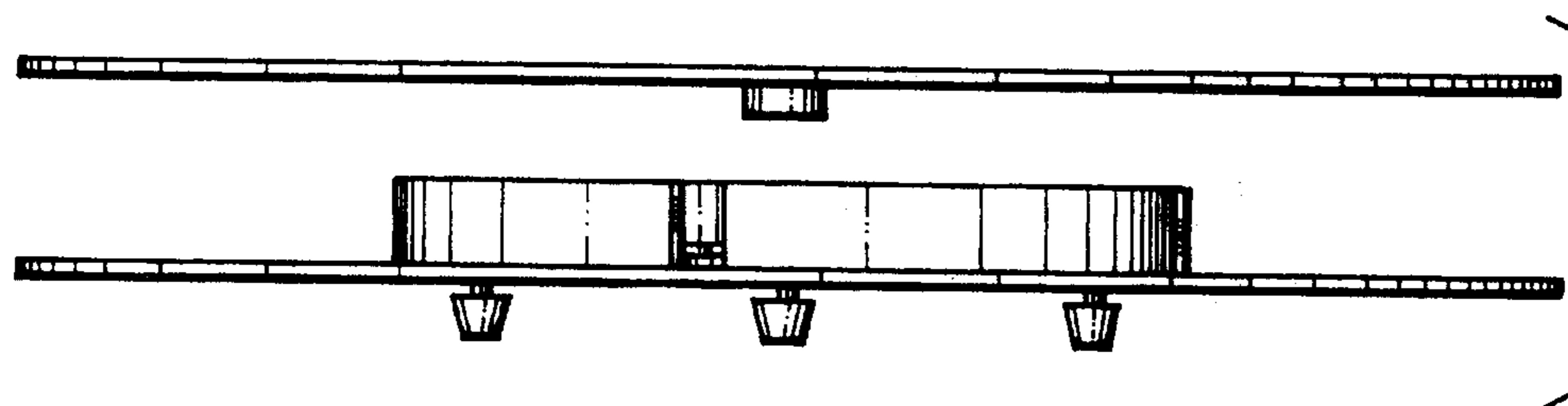


FIG. 5.