



US00D375493S

United States Patent [19]

[11] Patent Number: **Des. 375,493**

Karlin

[45] Date of Patent: ****Nov. 12, 1996**

[54] **OPTICAL SCANNER**

[75] Inventor: **James H. Karlin**, Fairport, N.Y.

[73] Assignee: **PSC Inc.**, Webster, N.Y.

[**] Term: **14 Years**

[21] Appl. No.: **44,081**

[22] Filed: **Sep. 18, 1995**

[52] U.S. Cl. **D14/116**

[58] Field of Search D14/100, 114,
D14/116; D19/41-51; 235/375, 378, 385,
454, 462, 472, 486; 354/80-2; 382/312-15,
321; 250/203.1, 216, 566, 568; D26/37,
45, 50

[56] **References Cited**

U.S. PATENT DOCUMENTS

D. 307,138 4/1990 Knowles D14/116

D. 330,708 11/1992 LaManna et al. D14/116
D. 343,170 1/1994 Gilpin et al. D14/116
D. 344,501 2/1994 Gong et al. D14/116
D. 352,936 11/1994 Karlin D14/116

Primary Examiner—M. H. Tung
Attorney, Agent, or Firm—Joseph F. Murphy

[57] **CLAIM**

The ornamental design for optical scanner, as shown.

DESCRIPTION

FIG. 1 is a top, front, right side perspective view;
FIG. 2 is a top plan view;
FIG. 3 is a right side view;
FIG. 4 is a front view;
FIG. 5 is a left side view;
FIG. 6 is a rear view; and,
FIG. 7 is a bottom plan view.

1 Claim, 4 Drawing Sheets

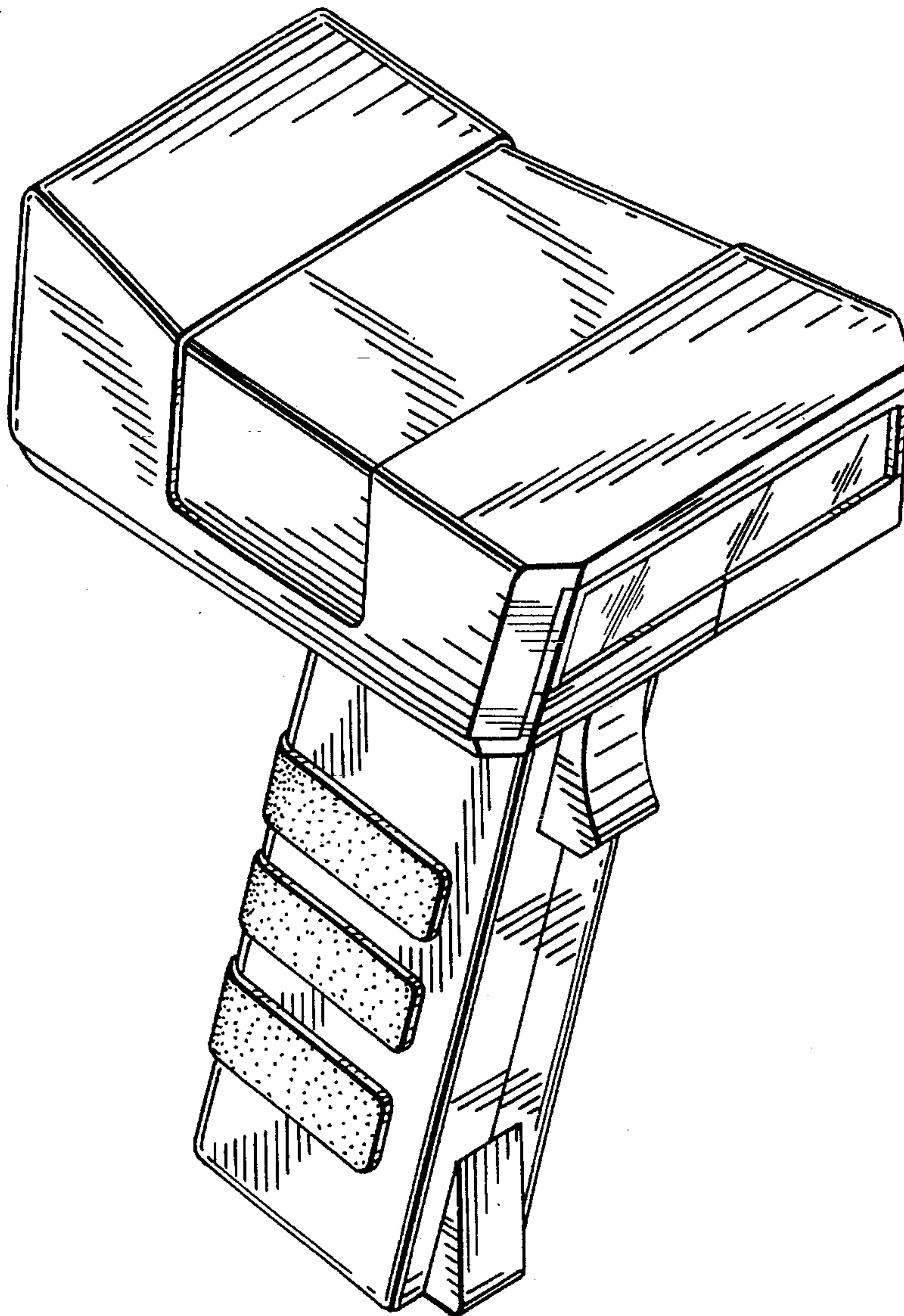


FIG. 1

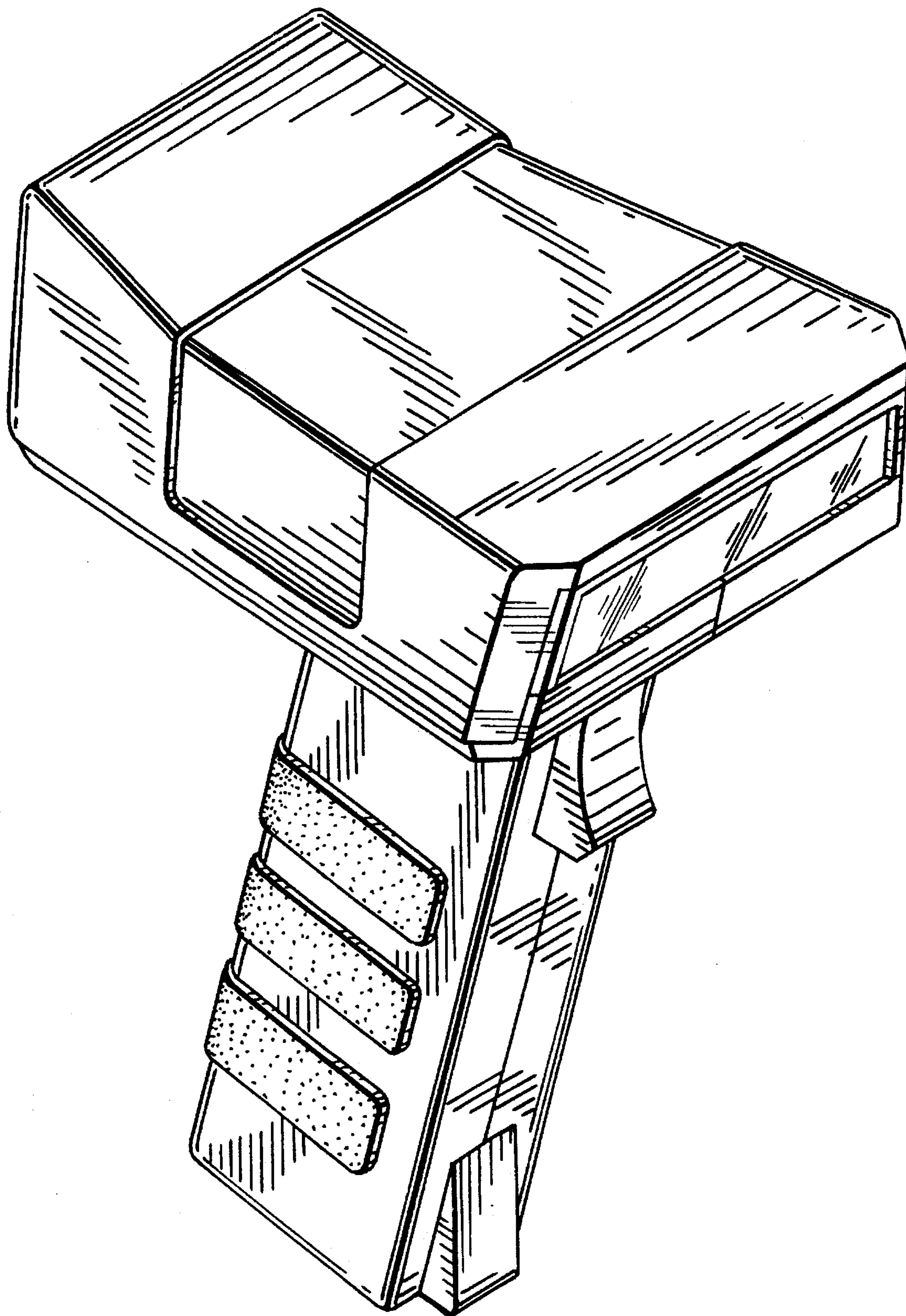


FIG. 2

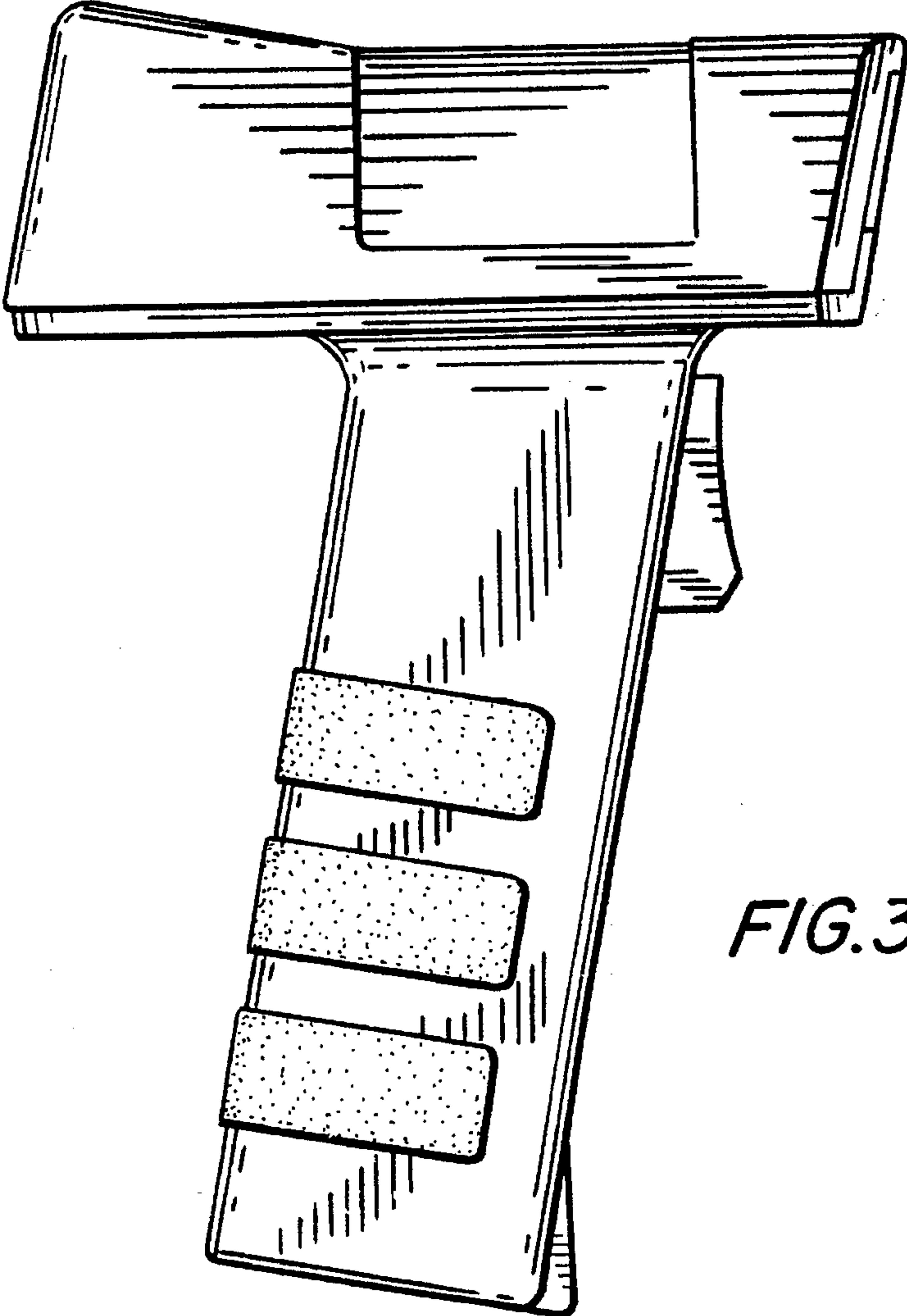
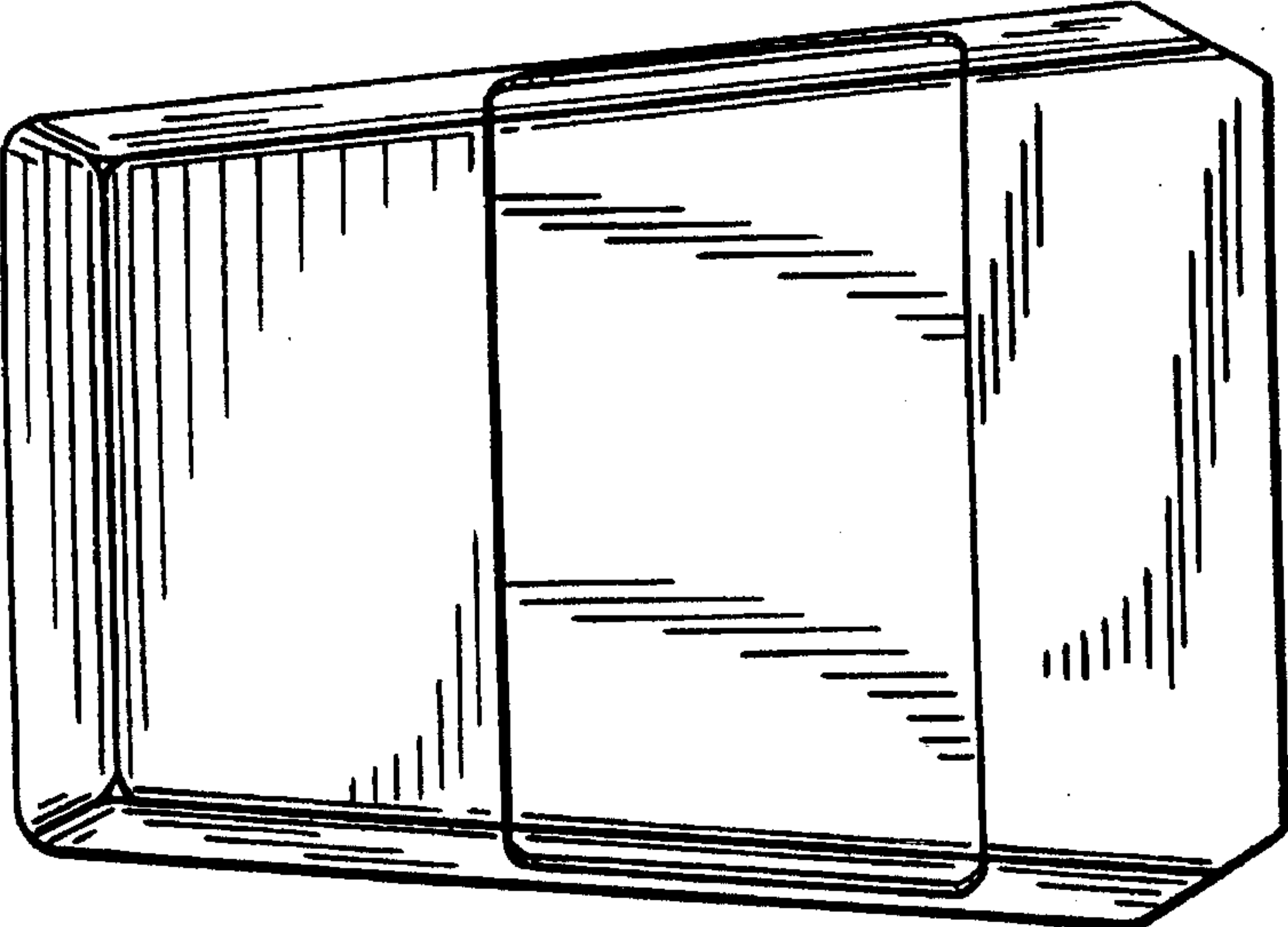


FIG. 3

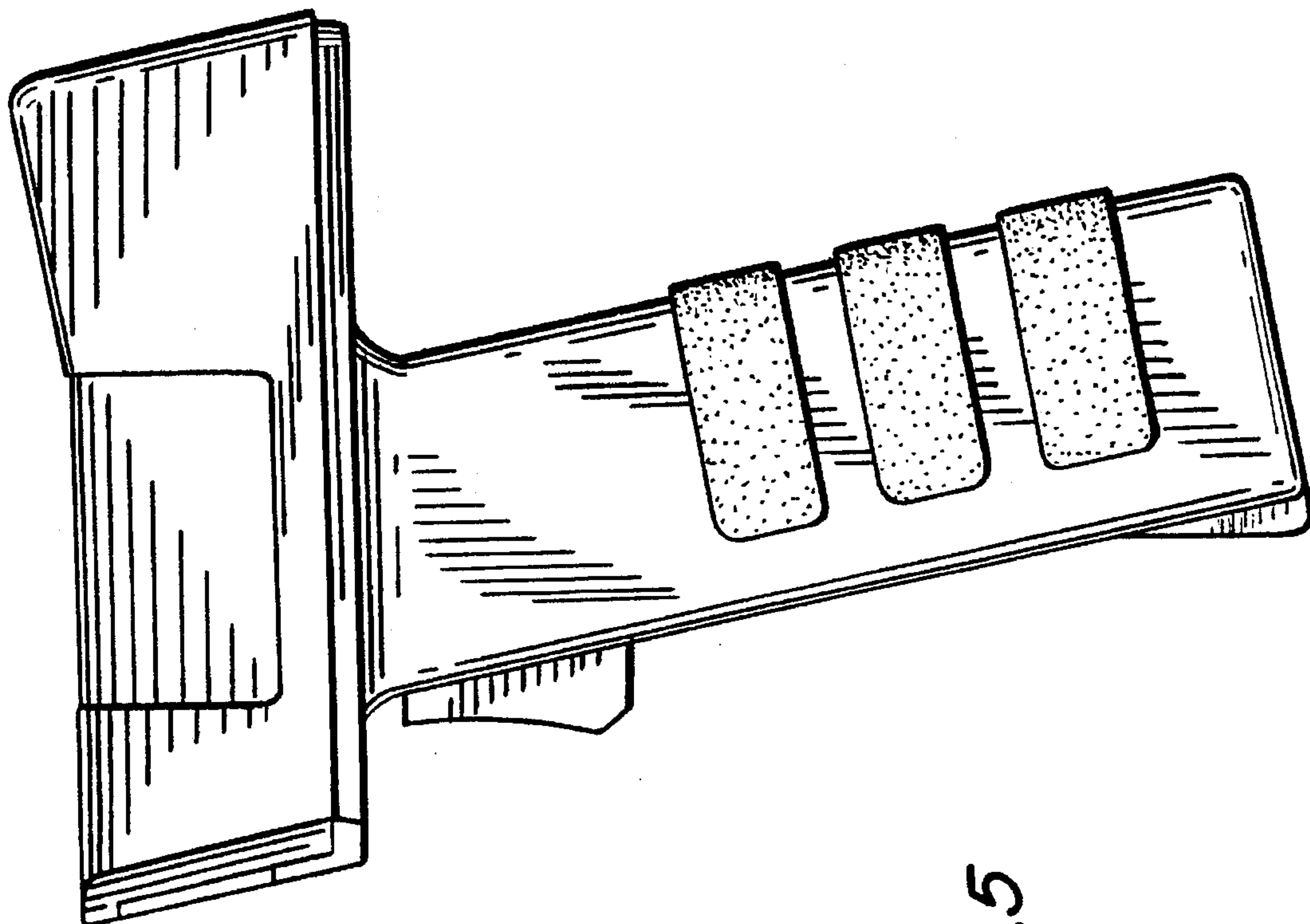


FIG. 5

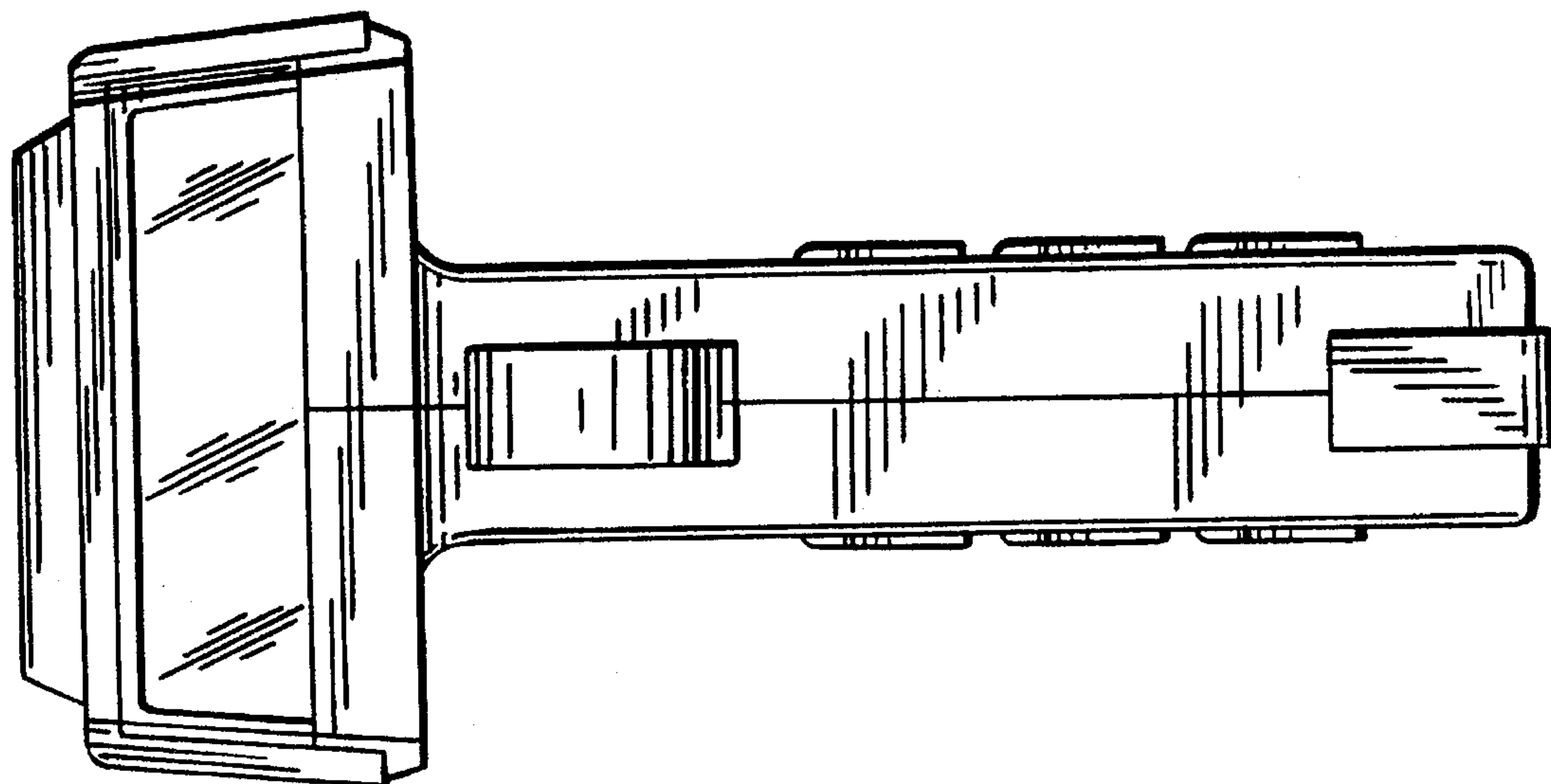


FIG. 4

FIG. 6

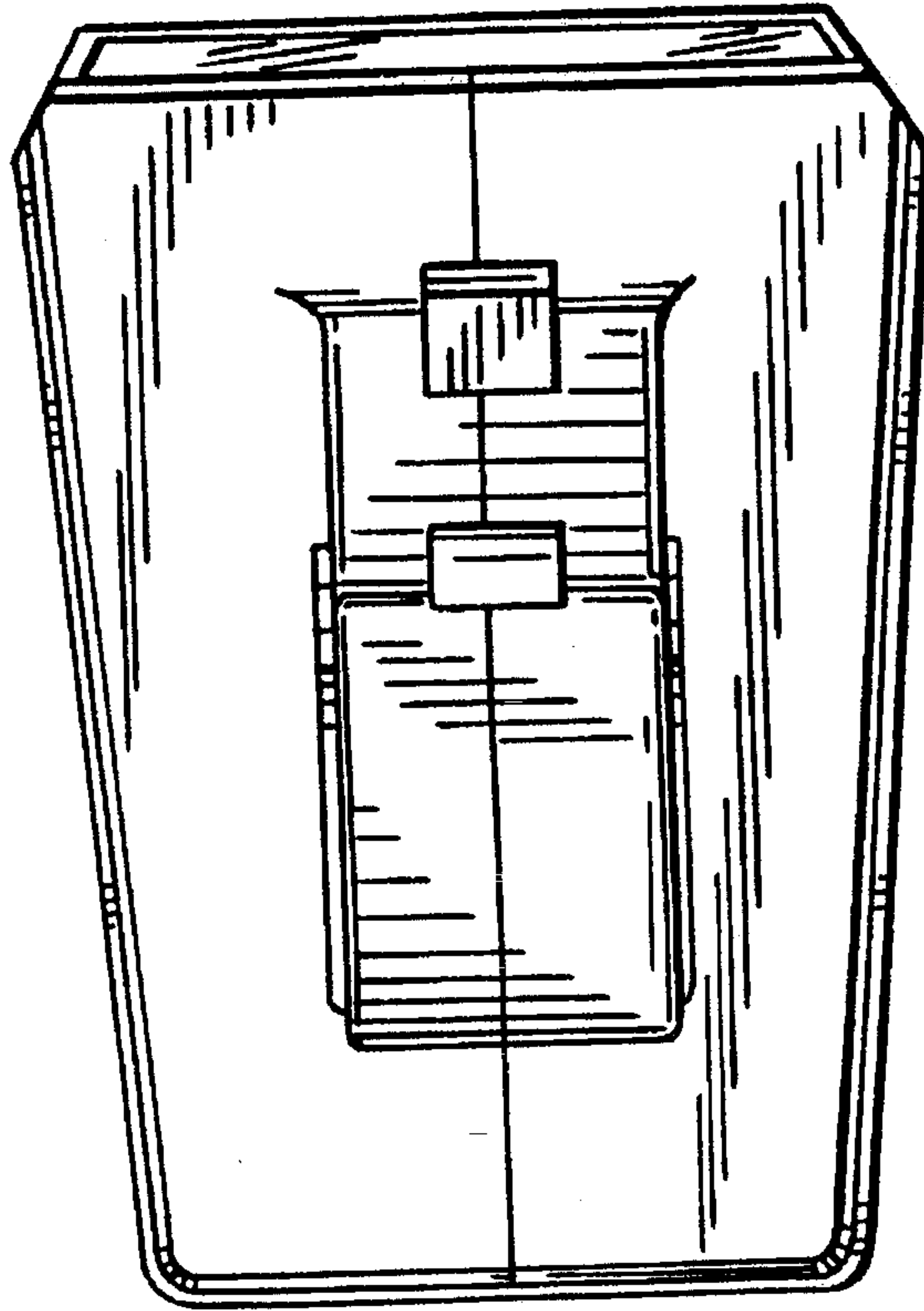
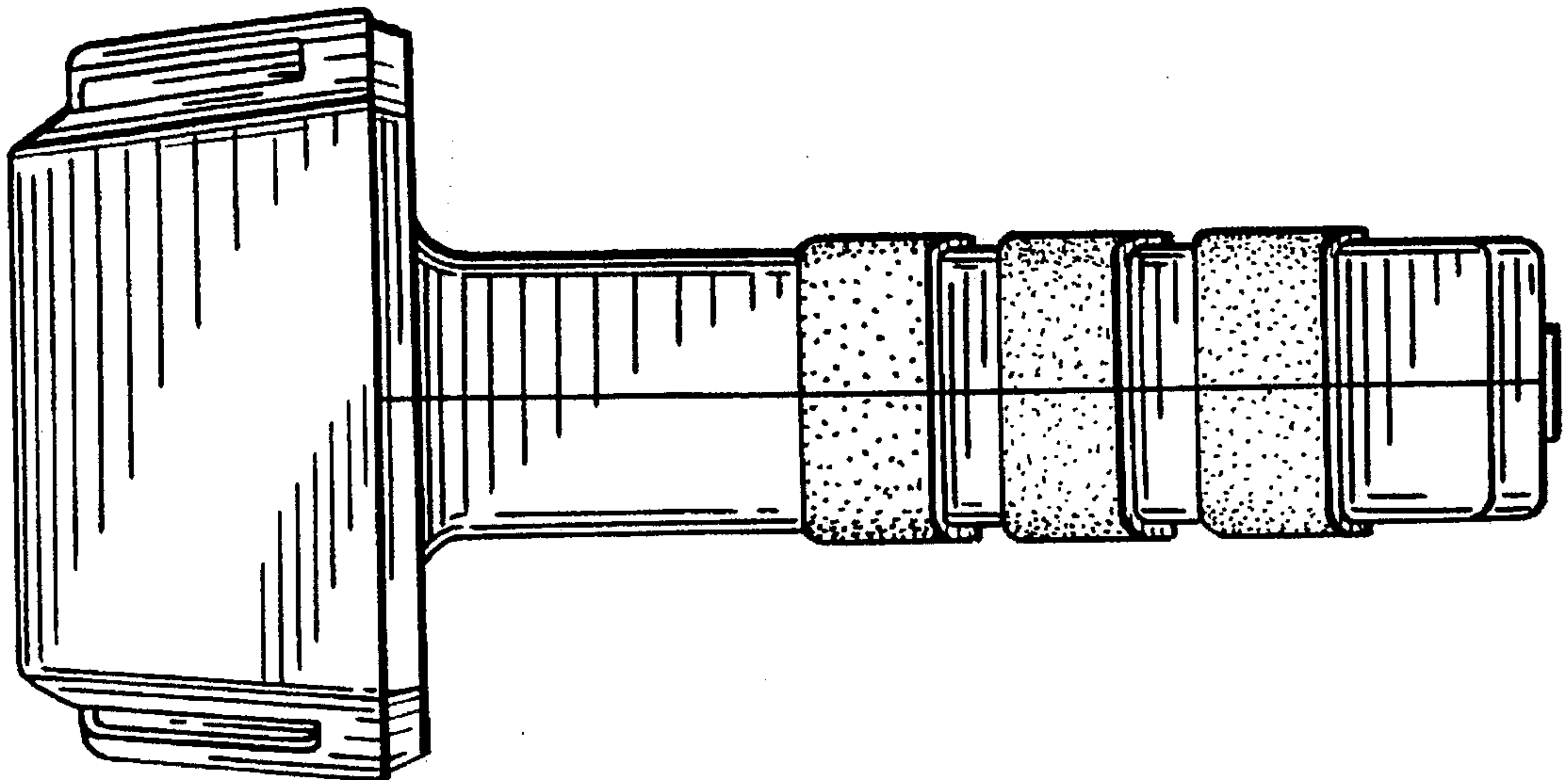


FIG. 7