



US00D375491S

United States Patent [19]

[11] Patent Number: **Des. 375,491**

Hata

[45] Date of Patent: ****Nov. 12, 1996**

[54] **MAGNETIC OPTICAL DISC CARTRIDGE**

[75] Inventor: **Masayuki Hata**, Tokyo, Japan

[73] Assignee: **Sony Corporation**, Tokyo, Japan

[**] Term: **14 Years**

[21] Appl. No.: **36,698**

[22] Filed: **Mar. 24, 1995**

[52] U.S. Cl. **D14/114**

[58] Field of Search D14/114; 360/60,
360/130, 132, 133, 135, 97.01-99.12; 206/312,
308.1, 308.3; 369/273, 291, 77.2

[56] **References Cited**

U.S. PATENT DOCUMENTS

D. 325,468	4/1992	Ohba	D14/114 X
D. 356,305	3/1995	Kikutani et al.	D14/114
4,698,714	10/1987	Sugawara et al.	369/291 X
4,755,982	7/1988	Douwes	369/291

Primary Examiner—Freda Nunn
Attorney, Agent, or Firm—Foley & Lardner

[57] **CLAIM**

The ornamental design for a magnetic optical disc cartridge, as shown and described.

DESCRIPTION

FIG. 1 is a perspective view of a first embodiment of the magnetic optical disc cartridge according to my invention;

FIG. 2 is a top plan view of the first embodiment of FIG. 1;

FIG. 3 is a front elevational view of the first embodiment of FIG. 1;

FIG. 4 is a right side elevational view of the first embodiment of FIG. 1 the undisclosed left side view is identical in appearance to that shown;

FIG. 5 is a bottom plan view of the first embodiment of FIG. 1;

FIG. 6 is a rear elevational view of the first embodiment of FIG. 1;

FIG. 7 is a front elevational view of the first embodiment of FIG. 1 with the sliding disc cover shown in the open position;

FIG. 8 is a rear elevational view of the first embodiment of FIG. 1 with the sliding disc cover shown in the open position;

FIG. 9 is a perspective view of a second embodiment of the magnetic optical disc cartridge according to my invention; and,

FIG. 10 is a rear elevational view of the second embodiment of FIG. 9.

The undisclosed views of the second embodiment are identical in appearance to those of the first embodiment.

1 Claim, 6 Drawing Sheets

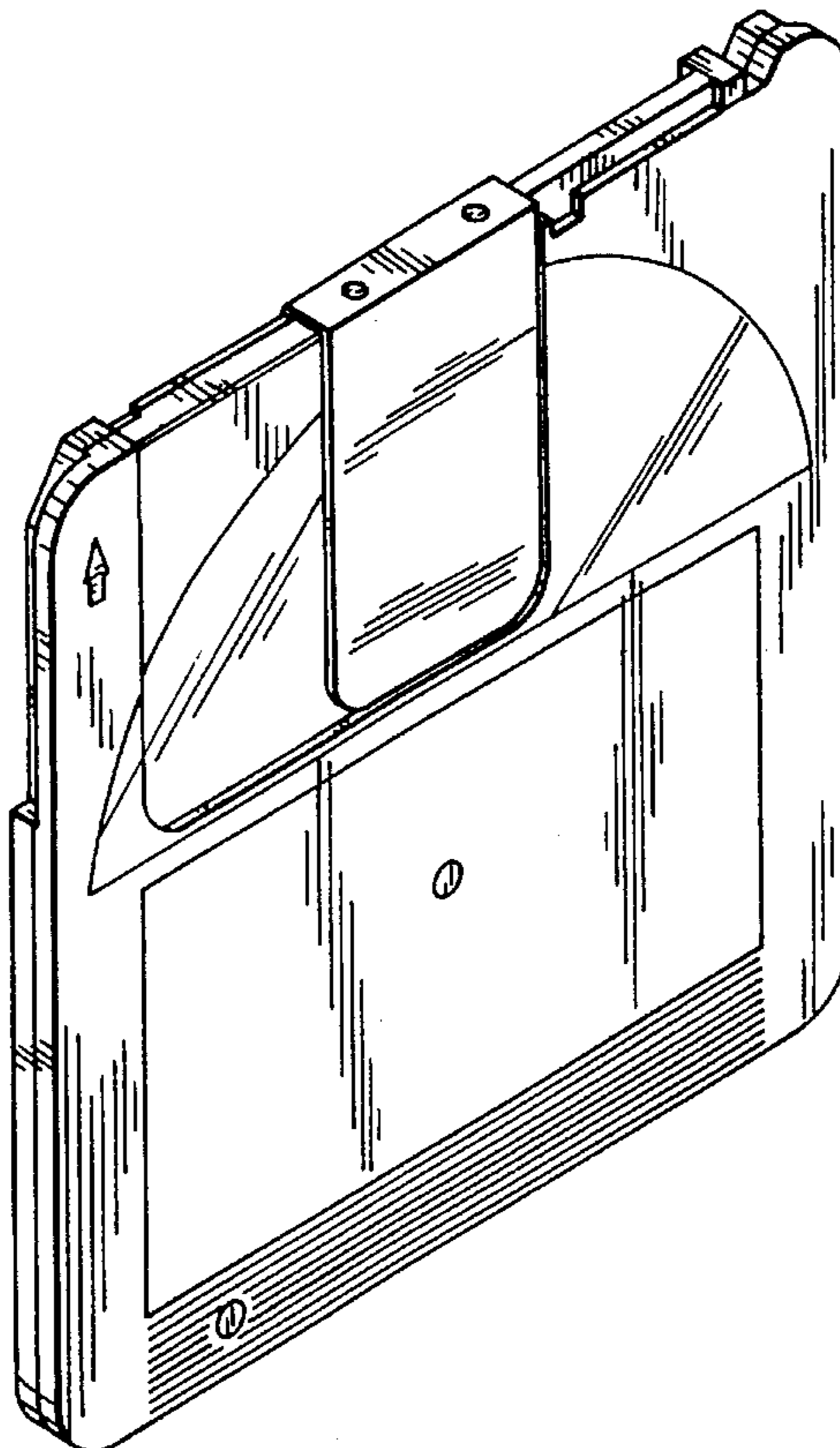


FIG. 1

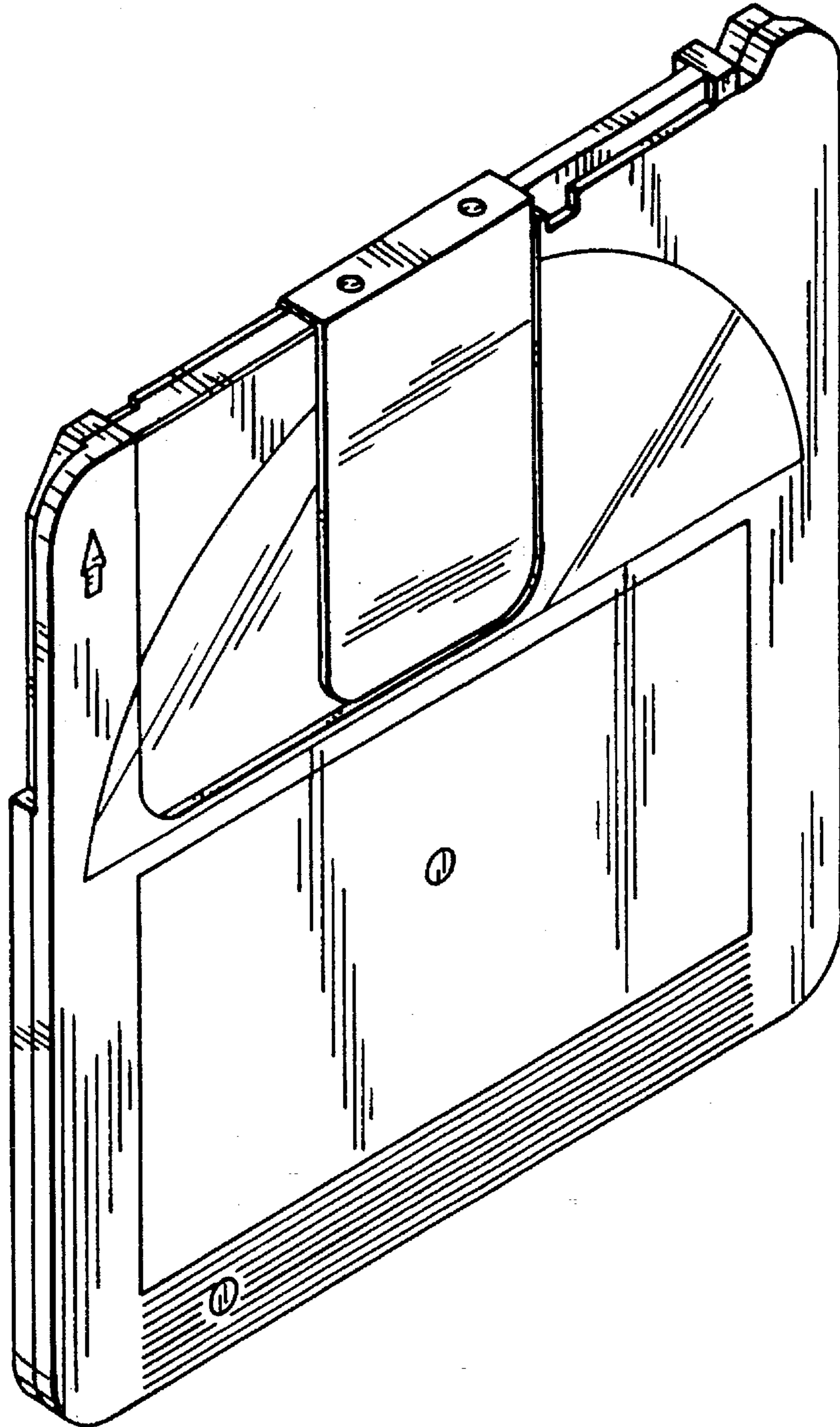


FIG.2



FIG.3

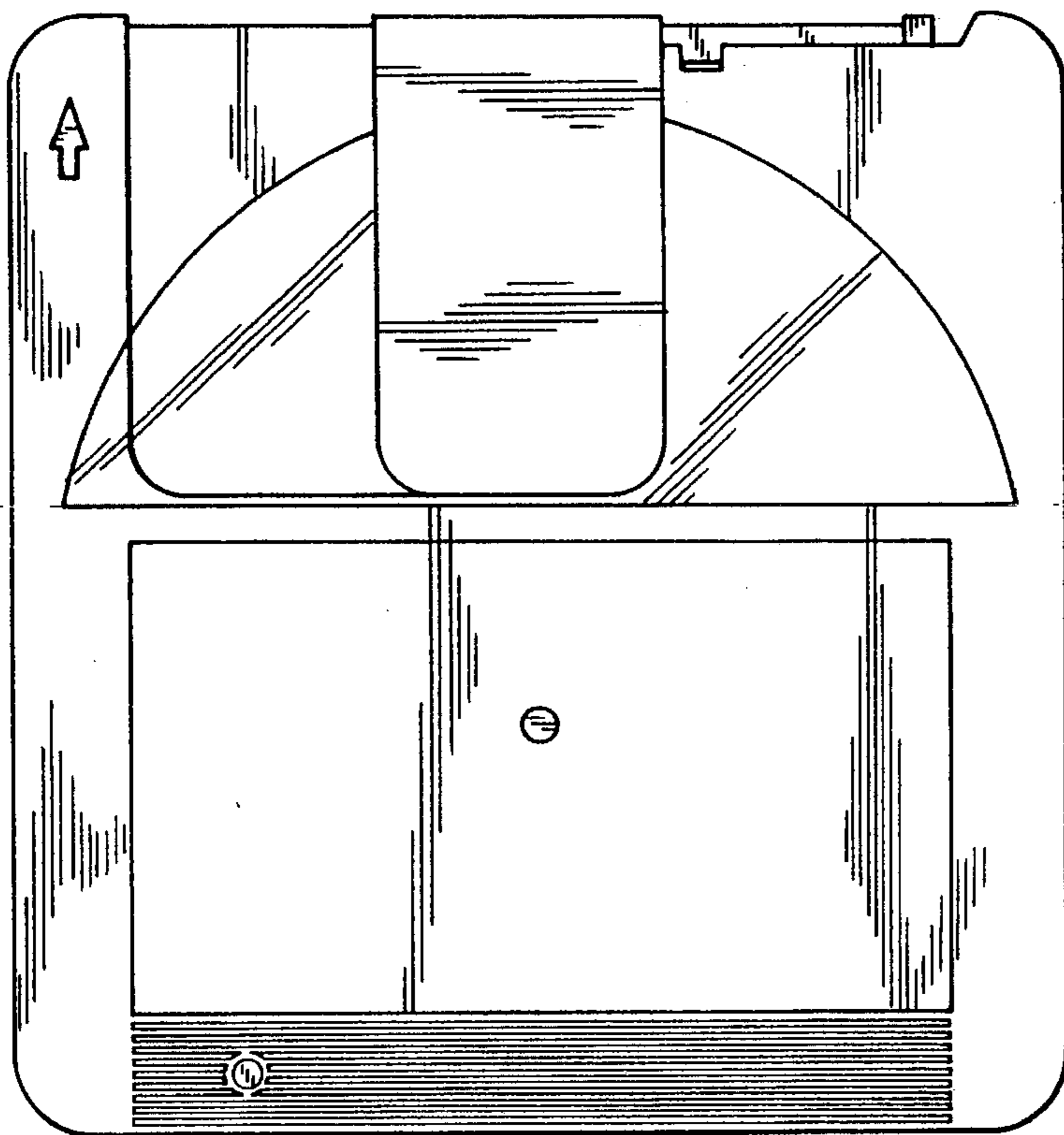


FIG.4



FIG.5

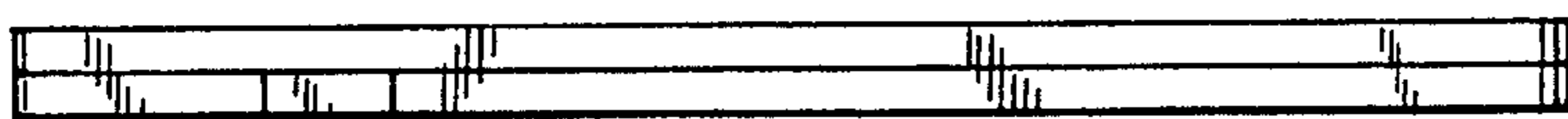


FIG. 6

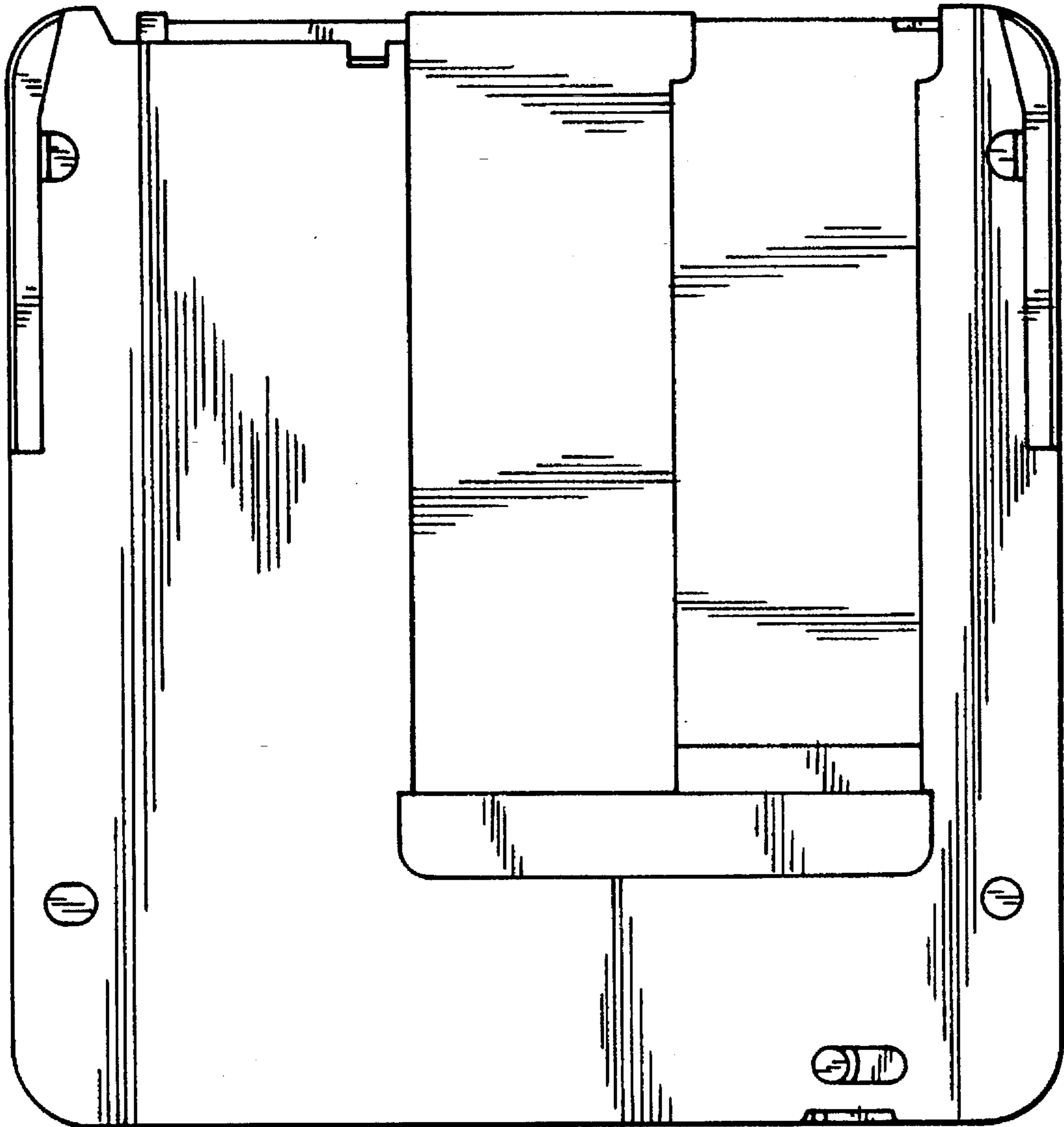


FIG.7

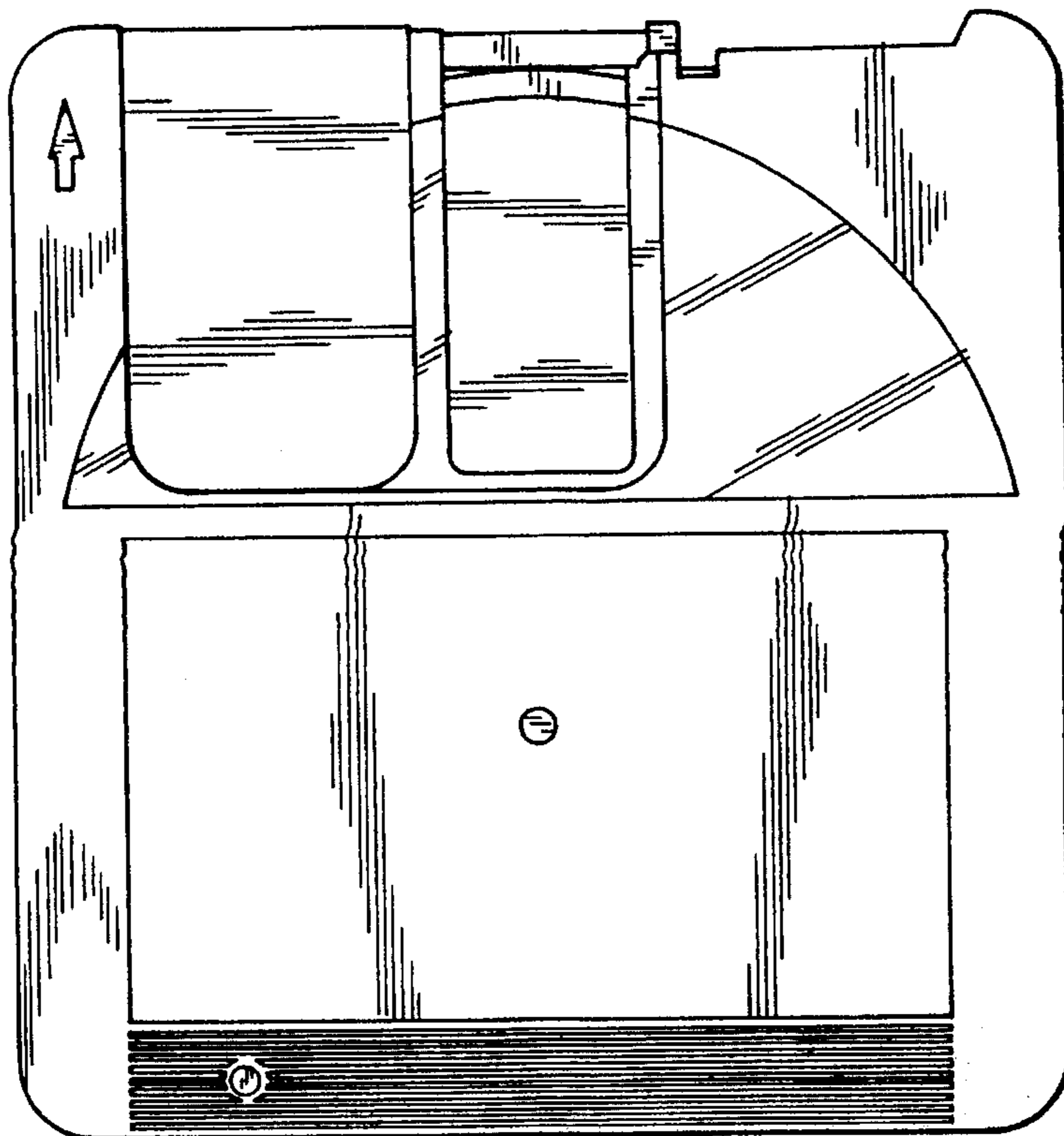


FIG.8

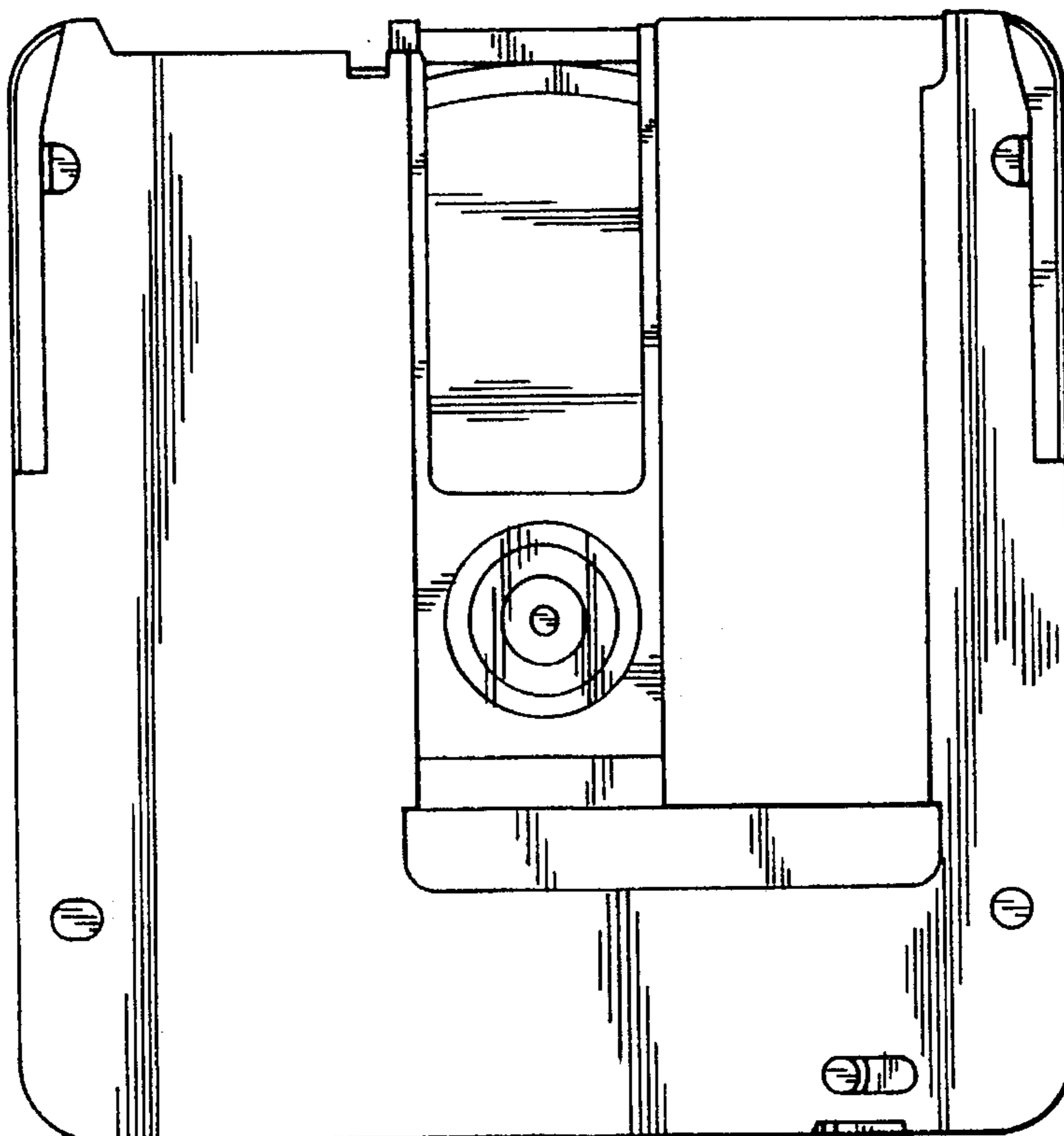


FIG. 9

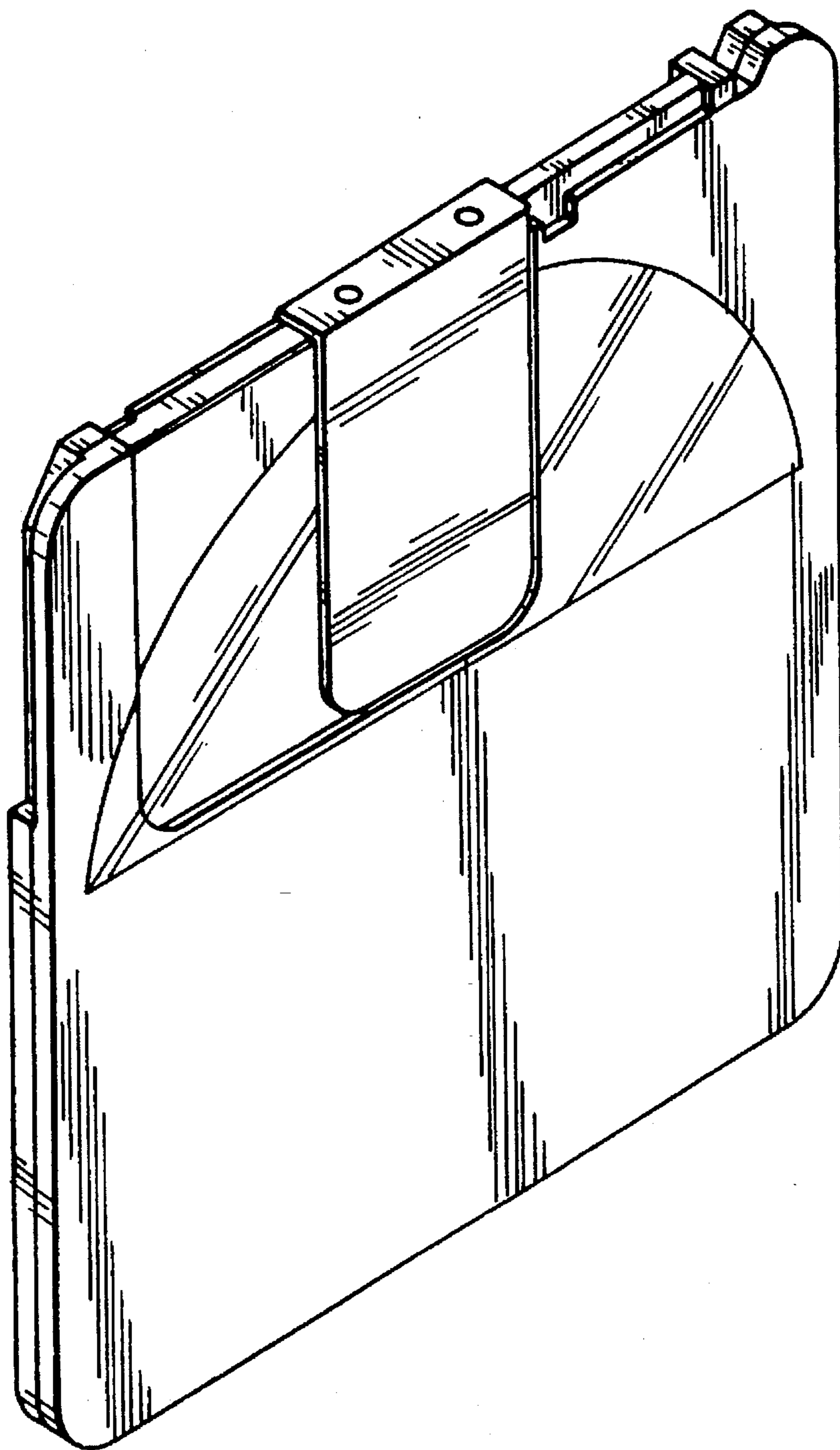


FIG. 10

