



US00D375490S

**United States Patent** [19]  
**Hisatsune**

[11] **Patent Number: Des. 375,490**

[45] **Date of Patent: \*\*Nov. 12, 1996**

[54] **DISK CARTRIDGE**

[75] **Inventor: Toshiyuki Hisatsune, Tokyo, Japan**

[73] **Assignee: Sony Corporation, Tokyo, Japan**

[\*\*] **Term: 14 Years**

[21] **Appl. No.: 33,408**

[22] **Filed: Jan. 12, 1995**

[52] **U.S. Cl. .... D14/114**

[58] **Field of Search ..... D14/114; 360/60,  
360/130, 132, 133, 135, 97.01-99.12; 206/312,  
308.1, 308.3; 369/291, 273, 77.2**

[56] **References Cited**

**U.S. PATENT DOCUMENTS**

D. 298,251	10/1988	Kato et al. ....	D14/114
D. 358,586	5/1995	Miyazaki et al. ....	D14/114
D. 359,039	6/1995	Kato et al. ....	D14/114
5,040,167	8/1991	Tanaka et al. ....	369/291
5,278,717	1/1994	Sasaki et al. ....	369/291 X

*Primary Examiner*—Freda Nunn

*Attorney, Agent, or Firm*—Foley & Lardner

[57] **CLAIM**

The ornamental design for a disk cartridge, as shown and described.

**DESCRIPTION**

FIG. 1 is a perspective view of the disk cartridge;

FIG. 2 is a front elevational view of the disk cartridge;

FIG. 3 is a rear elevational view of the disk cartridge;

FIG. 4 is a top plan view of the disk cartridge;

FIG. 5 is a bottom plan view of the disk cartridge;

FIG. 6 is a left side elevational view of the disk cartridge;

FIG. 7 is a right side elevational view of the disk cartridge;

FIG. 8 is a perspective view of the disk cartridge with the front doors in the open position;

FIG. 9 is a perspective view of another embodiment of the disk cartridge;

FIG. 10 is a front elevational view of the embodiment of FIG. 9;

FIG. 11 is a rear elevational view of the embodiment of FIG. 9; and,

FIG. 12 is a perspective view of the disk cartridge with the front doors in the open position.

The undisclosed views of the second embodiment are identical in appearance to those of the first embodiment.

**1 Claim, 5 Drawing Sheets**

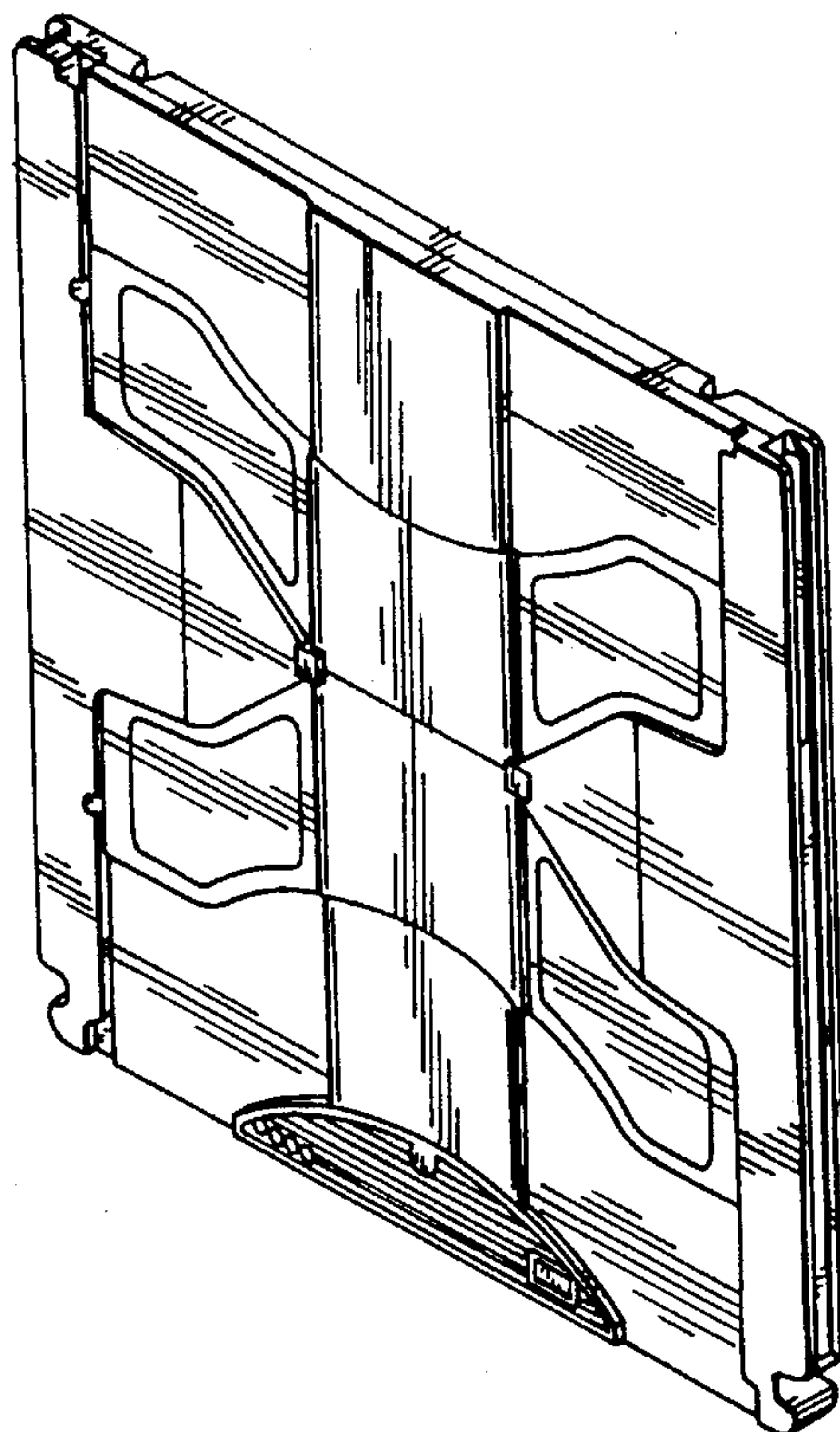


FIG. 1

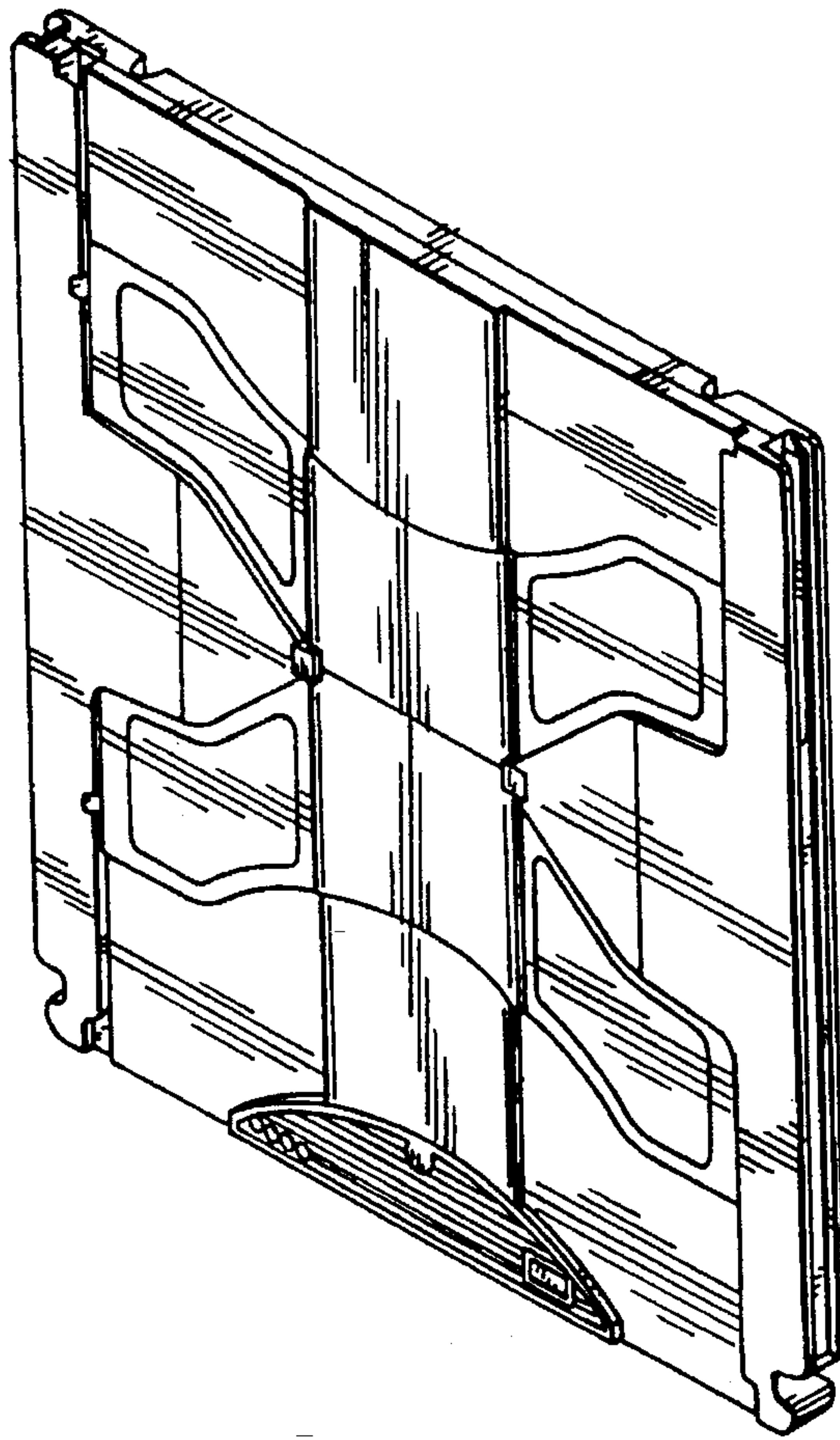


FIG. 2

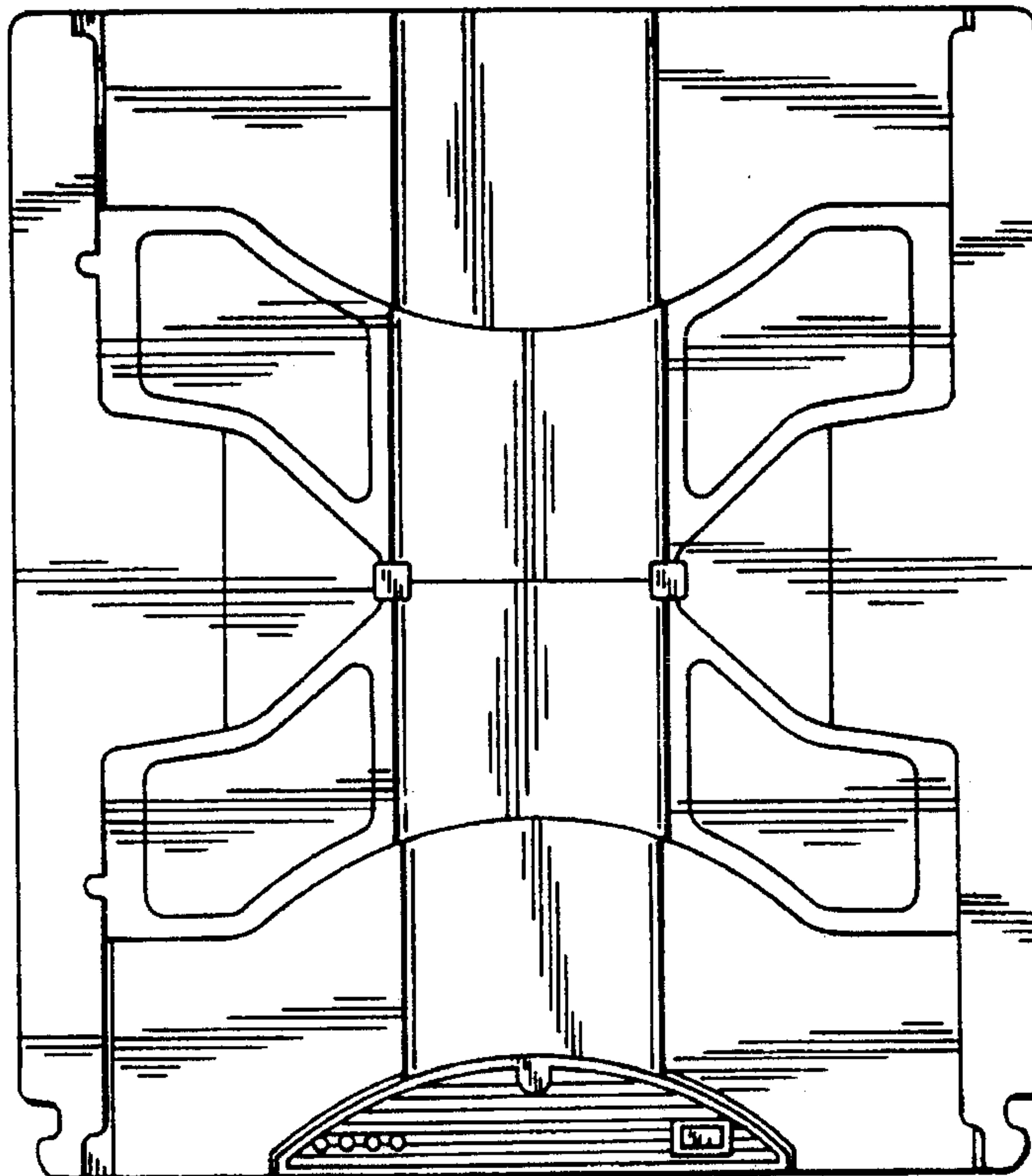


FIG. 3

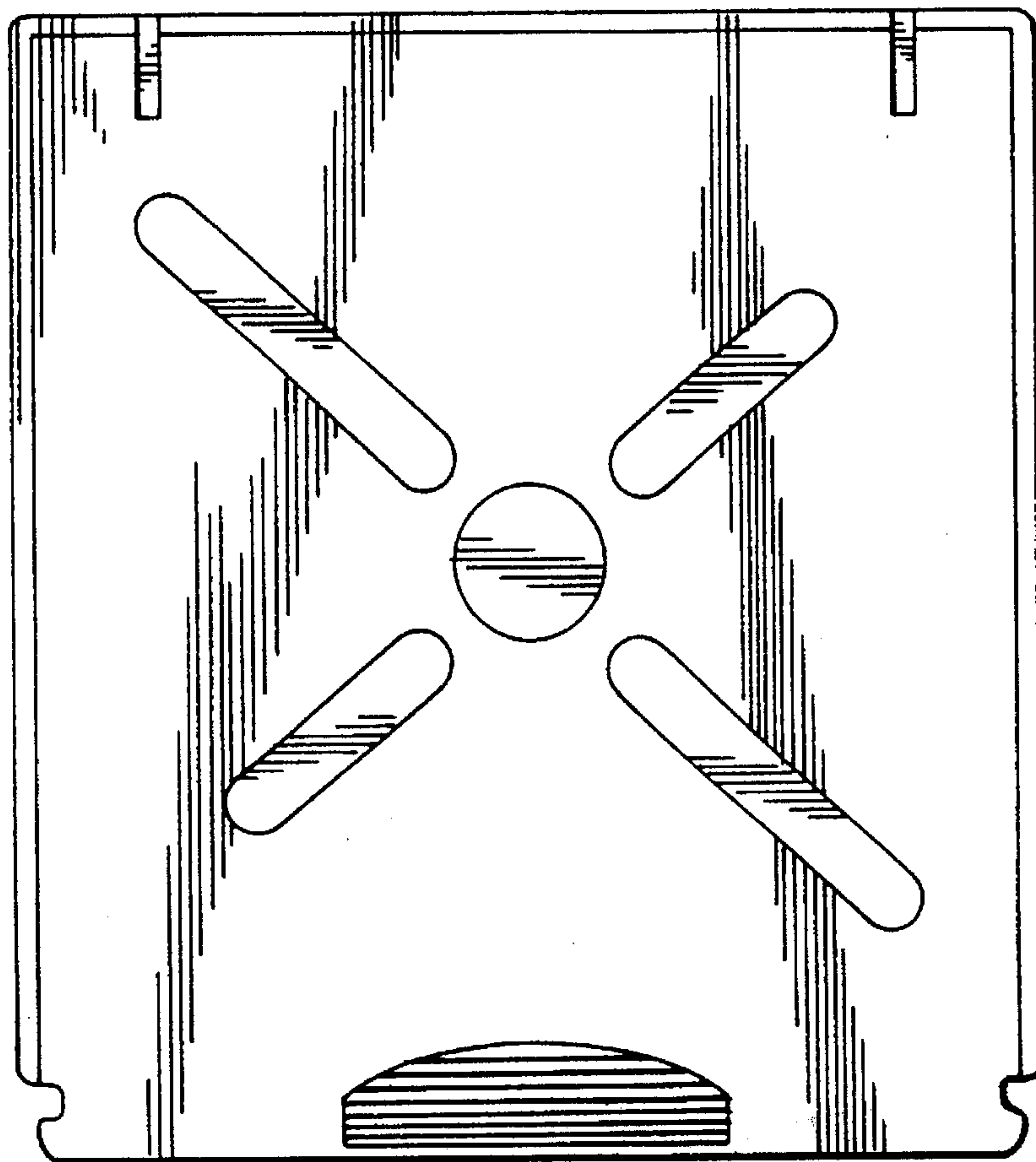


FIG. 4



FIG. 5

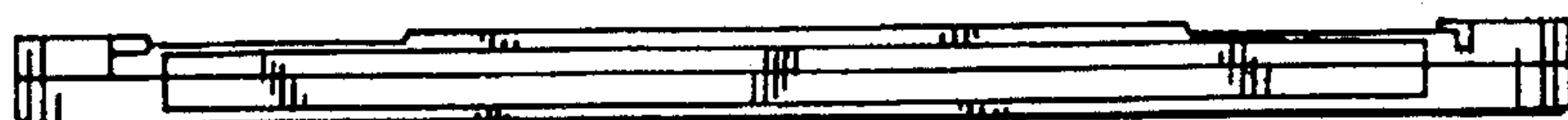




FIG. 6



FIG. 7



FIG. 8

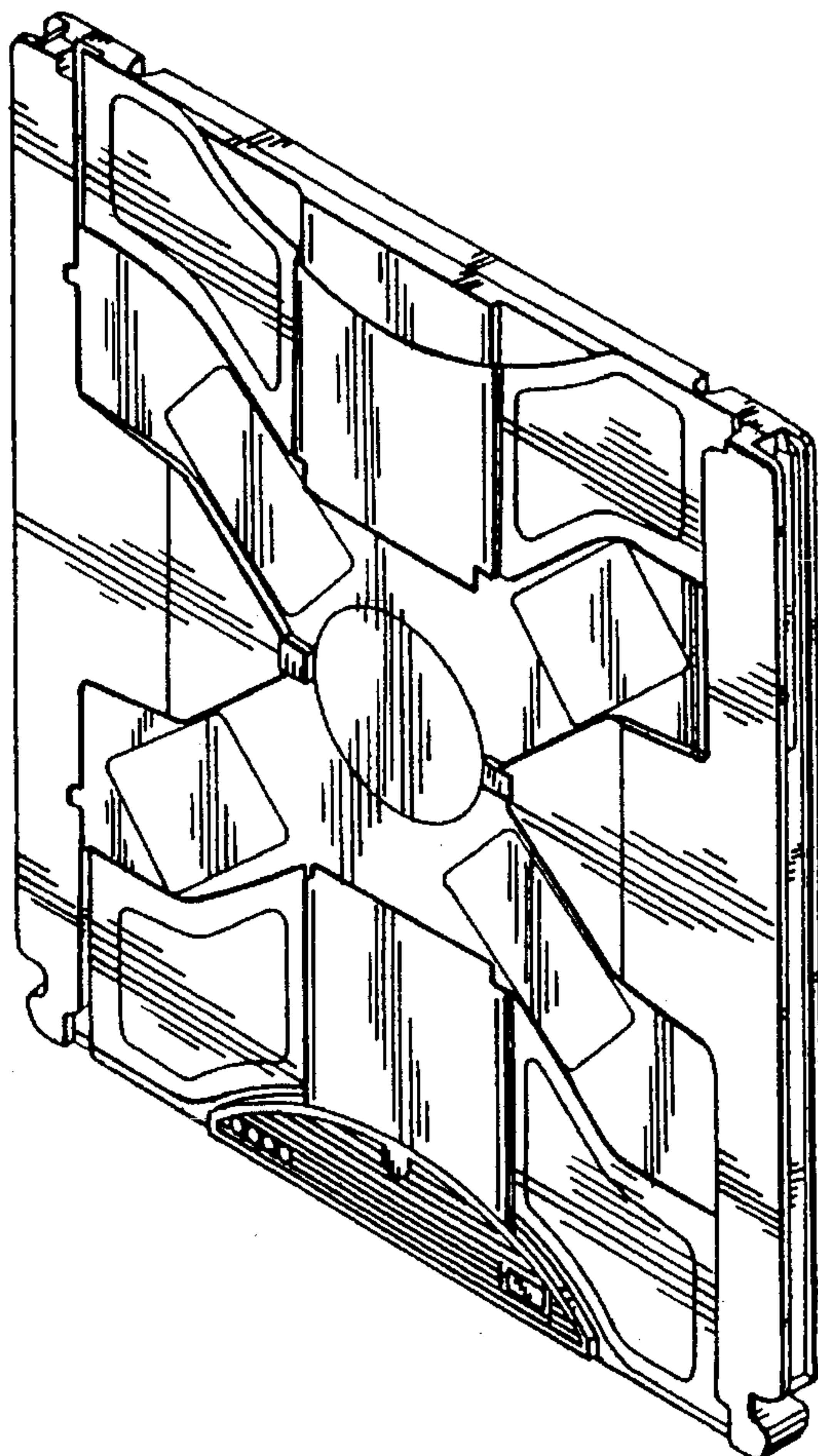


FIG. 9

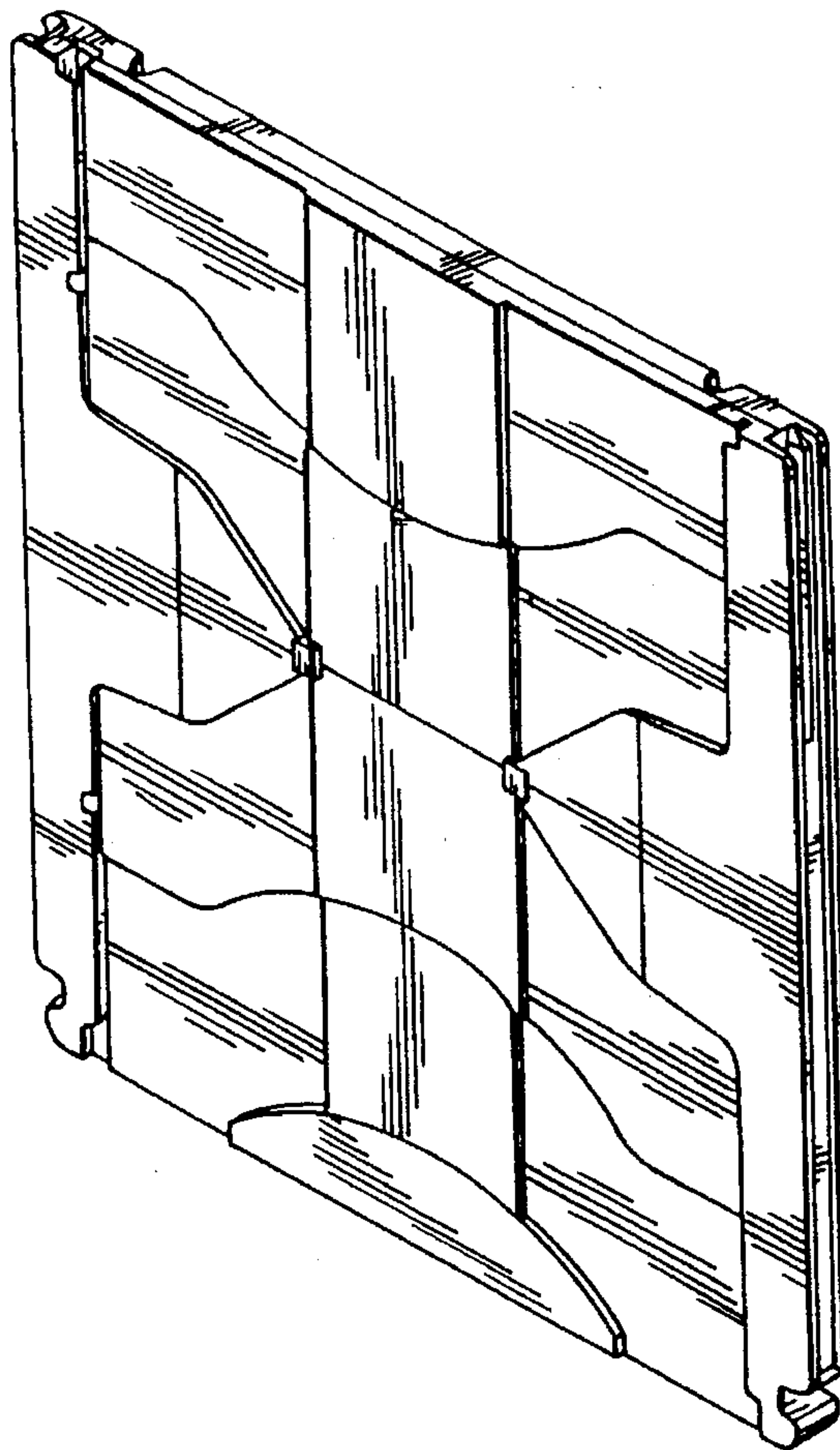


FIG. 10

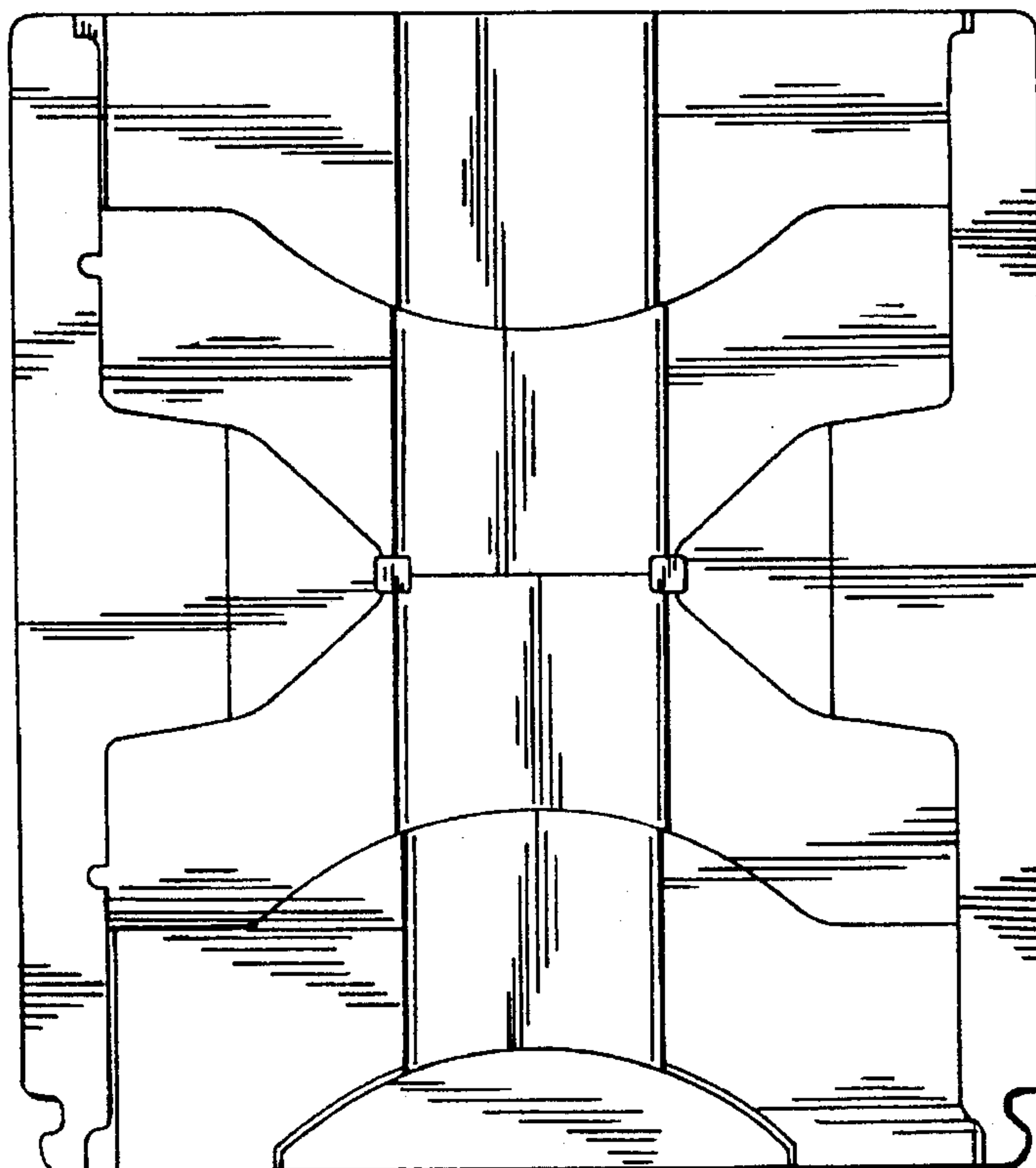


FIG. 11

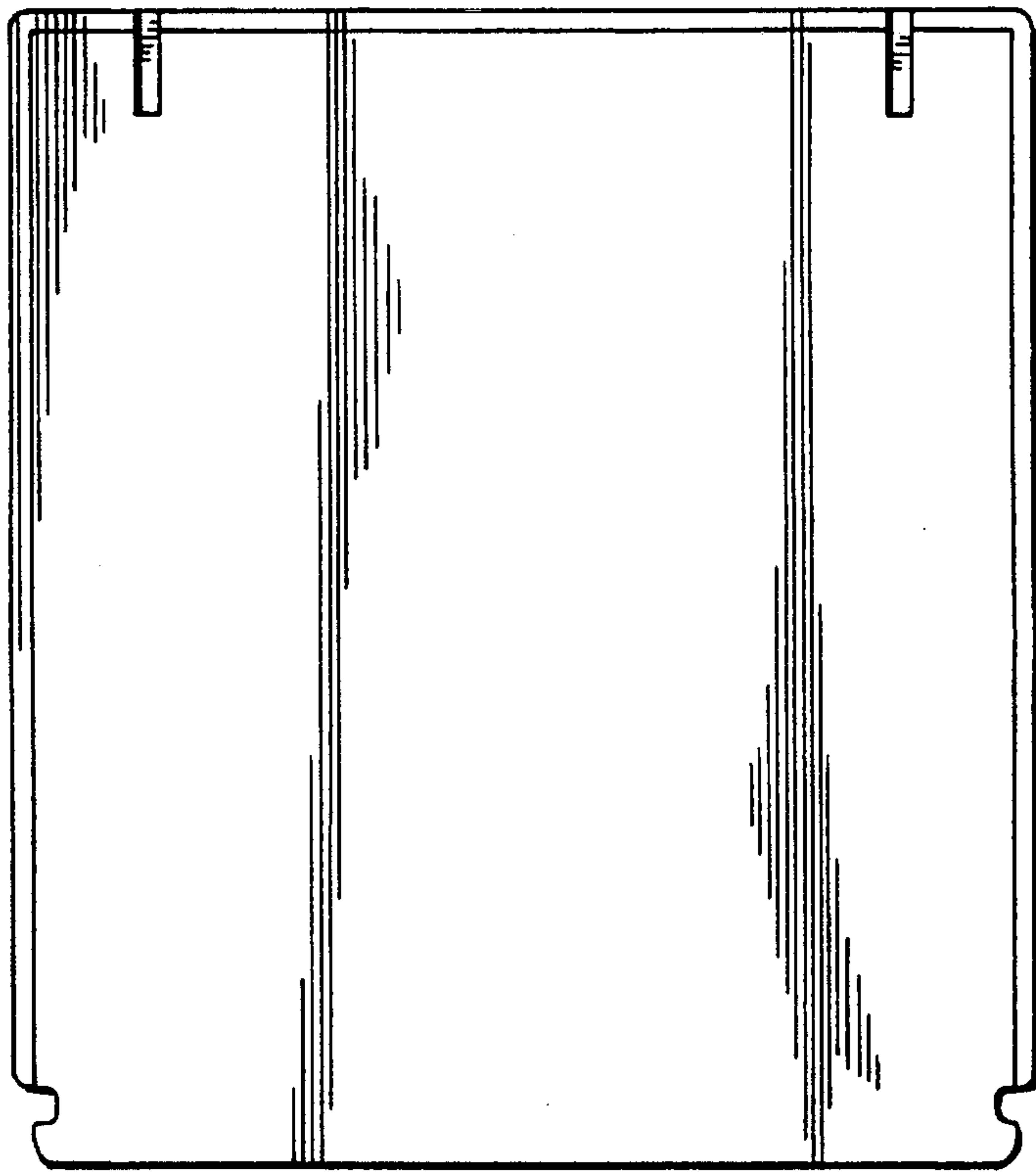


FIG. 12

