



US00D375489S

United States Patent [19] Esslinger

[11] Patent Number: **Des. 375,489**

[45] Date of Patent: ****Nov. 12, 1996**

- [54] **COMPUTER DISPLAY**
- [75] Inventor: **Hartmut H. Esslinger**, Los Gatos, Calif.
- [73] Assignee: **Packard Bell Electronics, Inc.**, Westlake Village, Calif.
- [**] Term: **14 Years**
- [21] Appl. No.: **24,335**
- [22] Filed: **Jun. 13, 1994**

- D. 323,824 2/1992 Kawanabe et al. D14/126
- D. 327,258 6/1992 Barbera et al. D14/106
- D. 347,838 6/1994 Taniuchi et al. D14/126
- D. 354,282 1/1995 Koo et al. D14/126
- 5,190,258 3/1993 Yu 248/279

Primary Examiner—Freda Nunn
Attorney, Agent, or Firm—Wilson Sonsini Goodrich & Rosati

[57] CLAIM

The ornamental design for a computer display, as shown and described.

Related U.S. Application Data

- [63] Continuation-in-part of Ser. No. 23,805, Jun. 1, 1994, abandoned.
- [52] U.S. Cl. **D14/113**; D14/126
- [58] Field of Search D14/100, 106, D14/101, 113, 124-129; 345/104, 133, 156, 168, 87, 173, 901-905; 358/249, 254, 255; 248/917-924

DESCRIPTION

FIG. 1 is a top, front, right perspective view of a computer display showing my new design;
FIG. 2 is a front elevation thereof;
FIG. 3 is a right side elevation thereof;
FIG. 4 is a left side elevation thereof;
FIG. 5 is a top plan view thereof;
FIG. 6 is a rear elevation thereof; and,
FIG. 7 is a bottom plan view thereof.

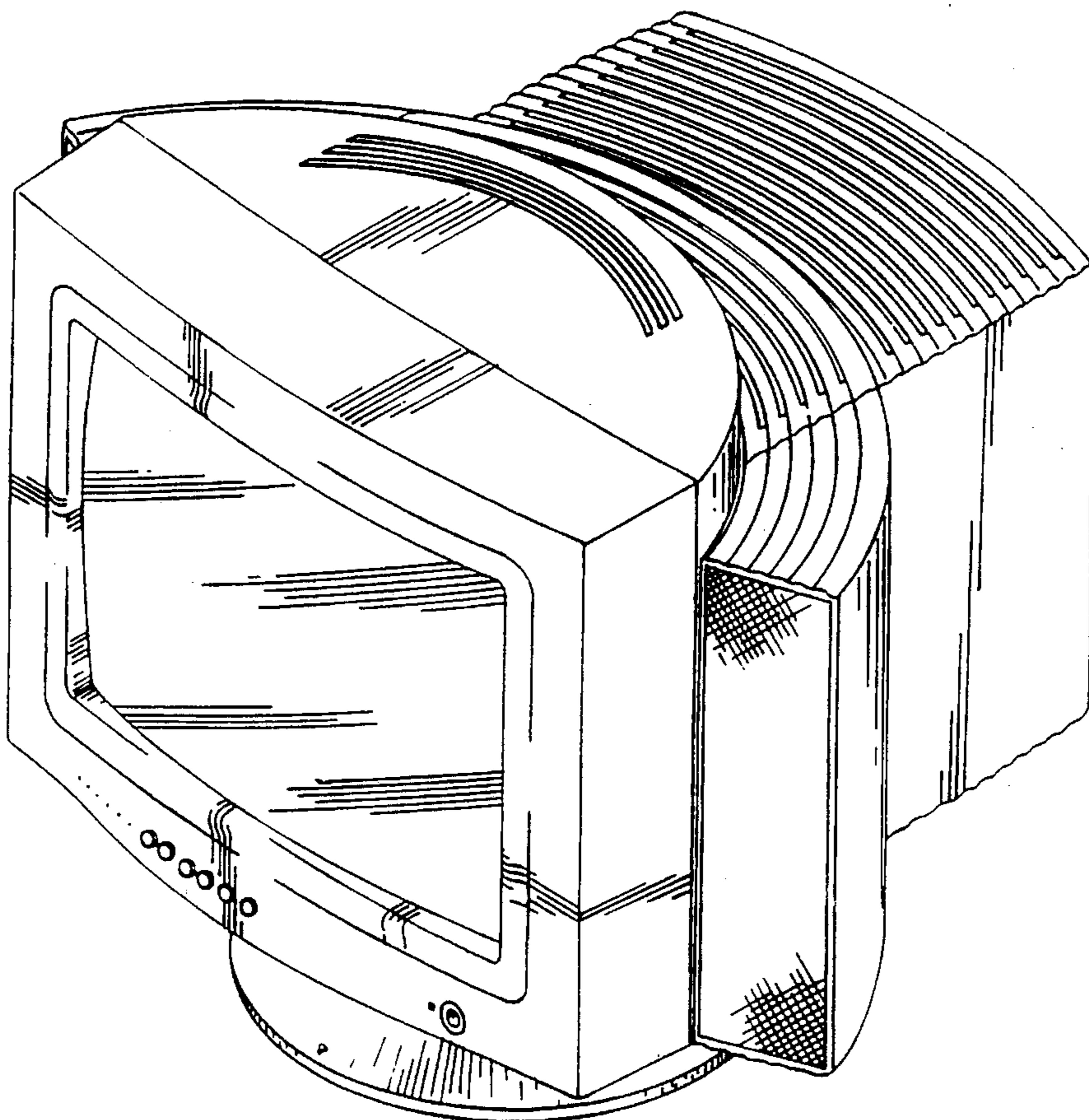
The pattern, partially shown on the speakers in the figures for ease of illustration, represents a conventional material which is understood to continue uniformly across each of the indicated surfaces.

[56] References Cited

U.S. PATENT DOCUMENTS

- D. 310,067 8/1990 Koprowski et al. D14/106
- D. 310,522 9/1990 Yang D14/129
- D. 311,183 10/1990 Fuji et al. D14/126
- D. 316,086 4/1991 Gauffin D14/113

1 Claim, 7 Drawing Sheets



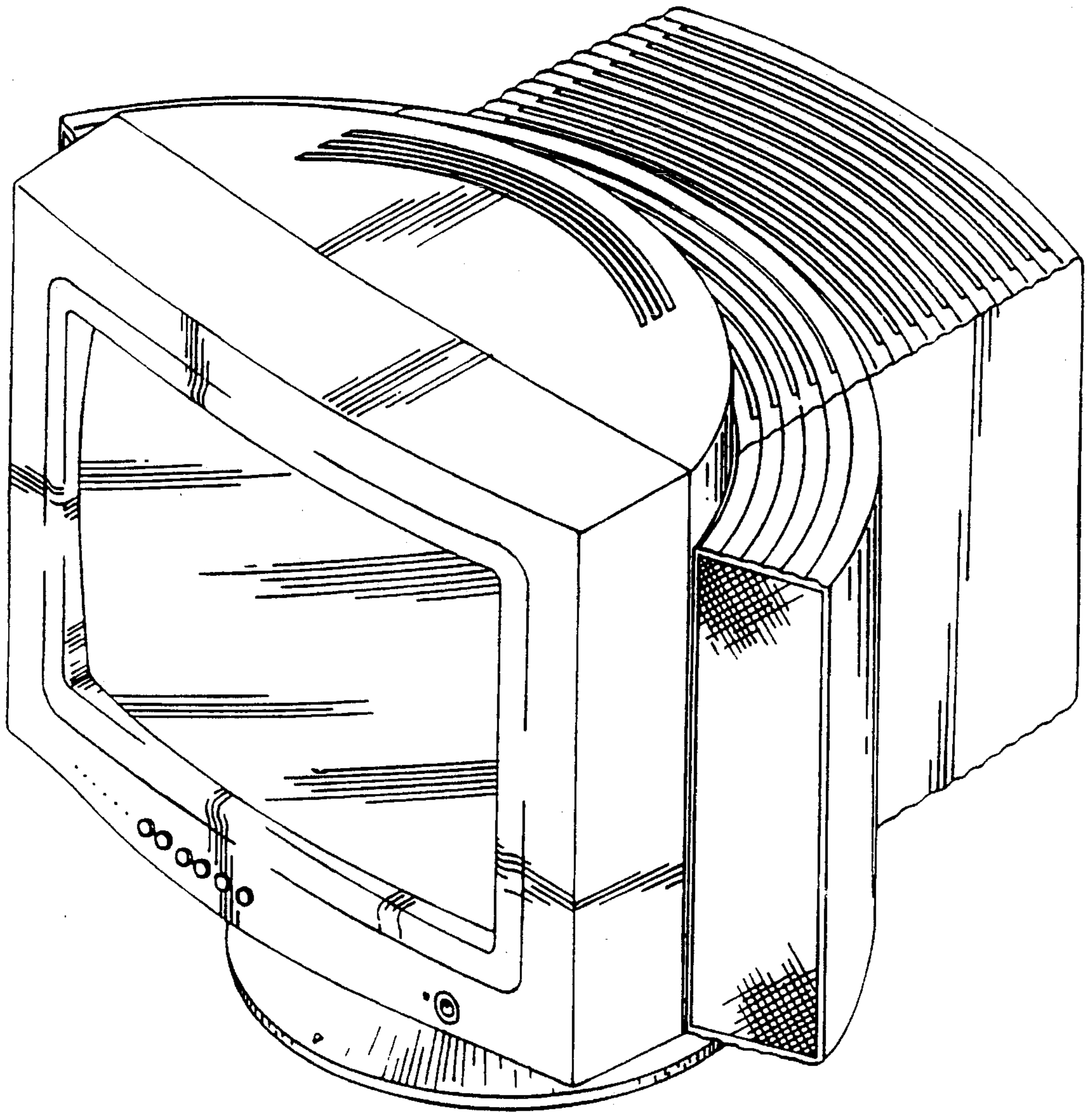


FIG. 1

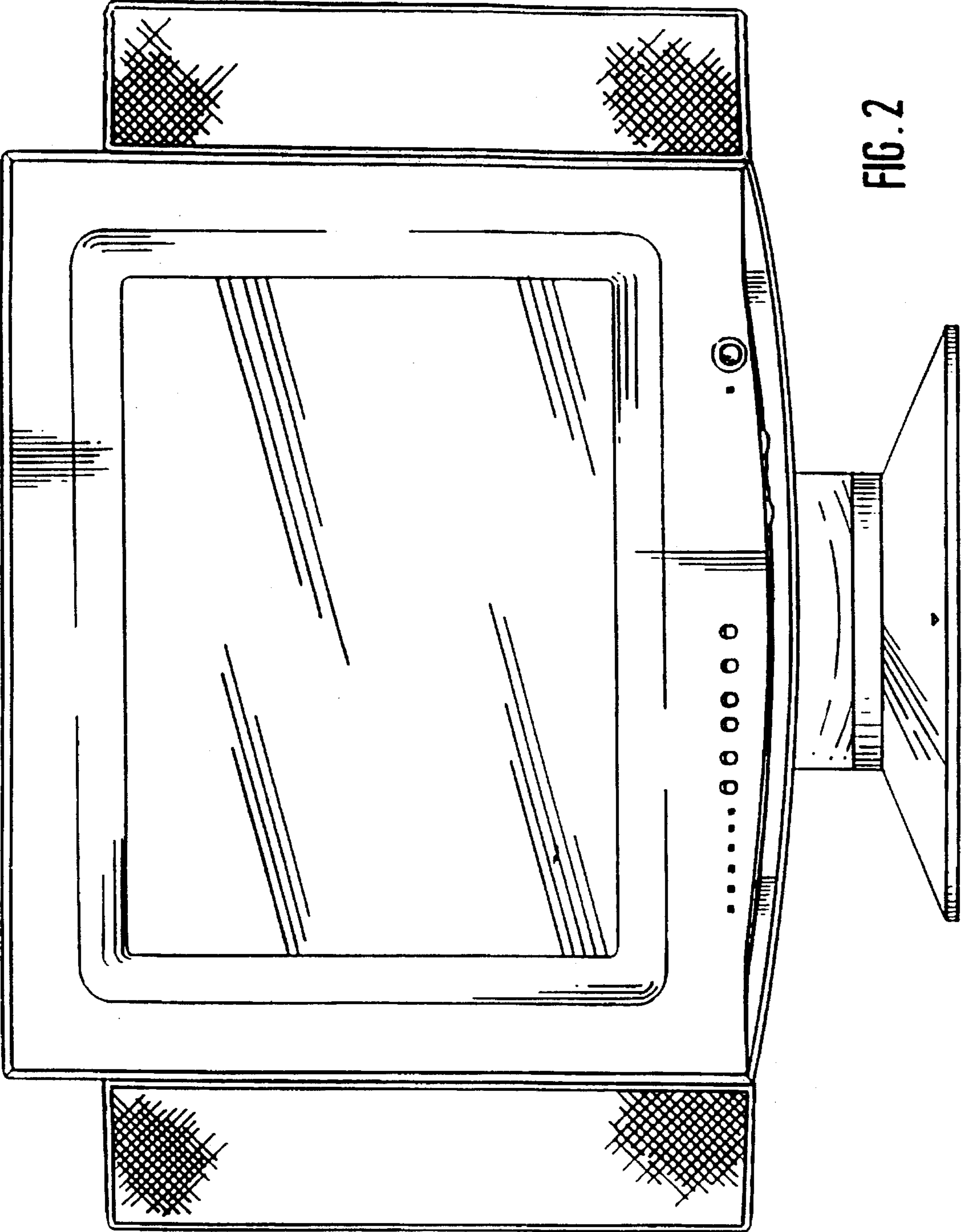


FIG. 2

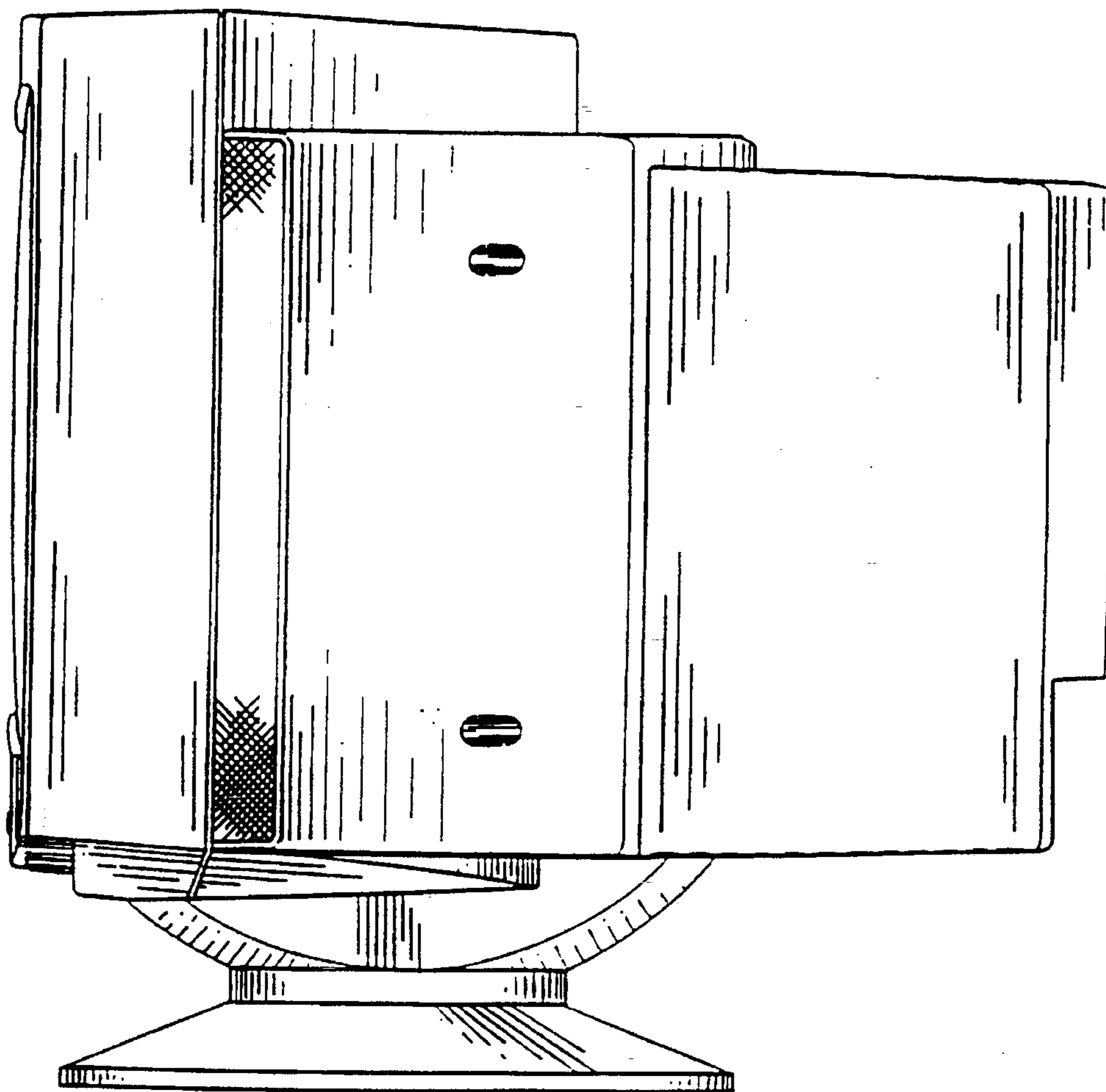


FIG. 3

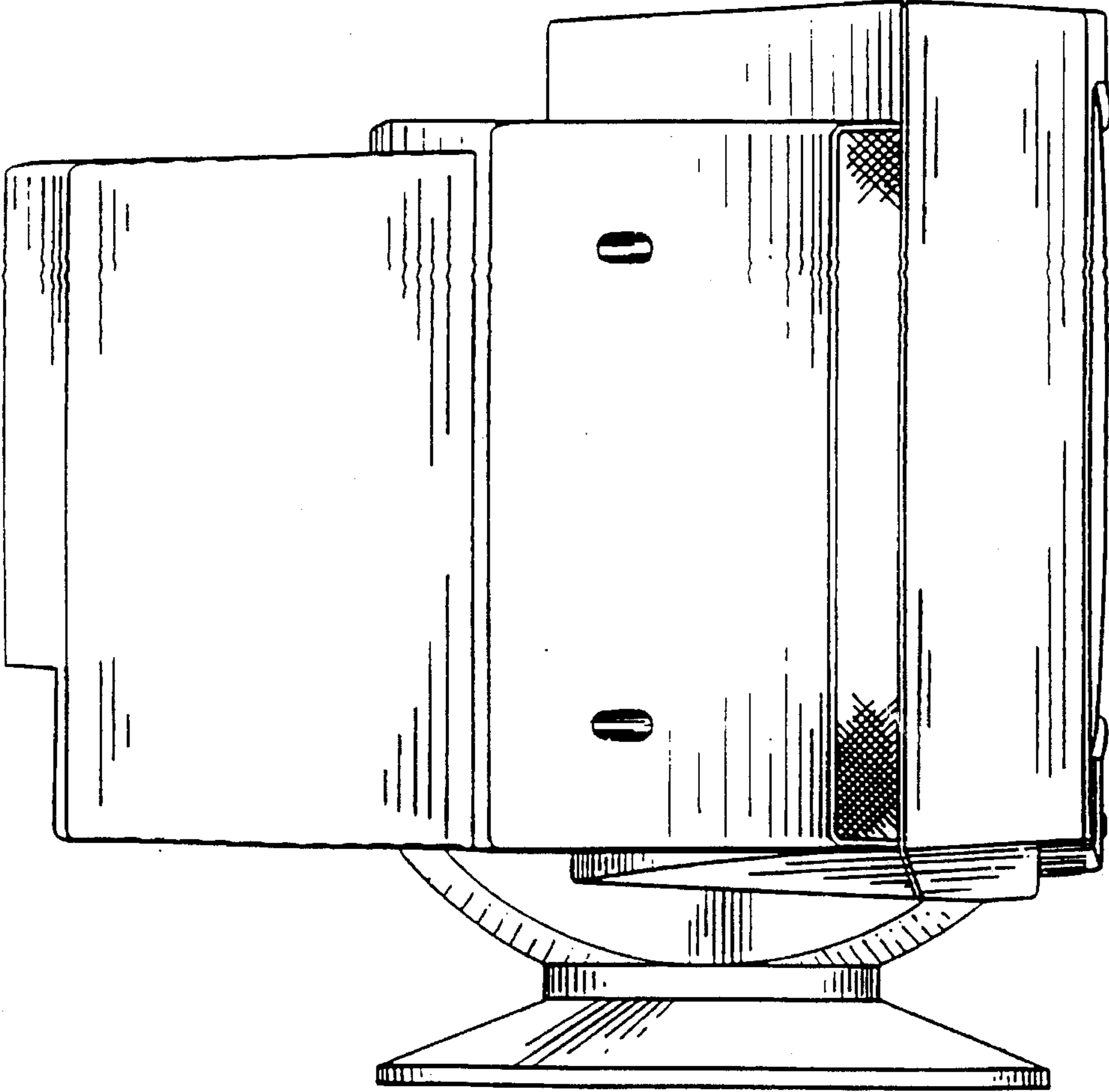
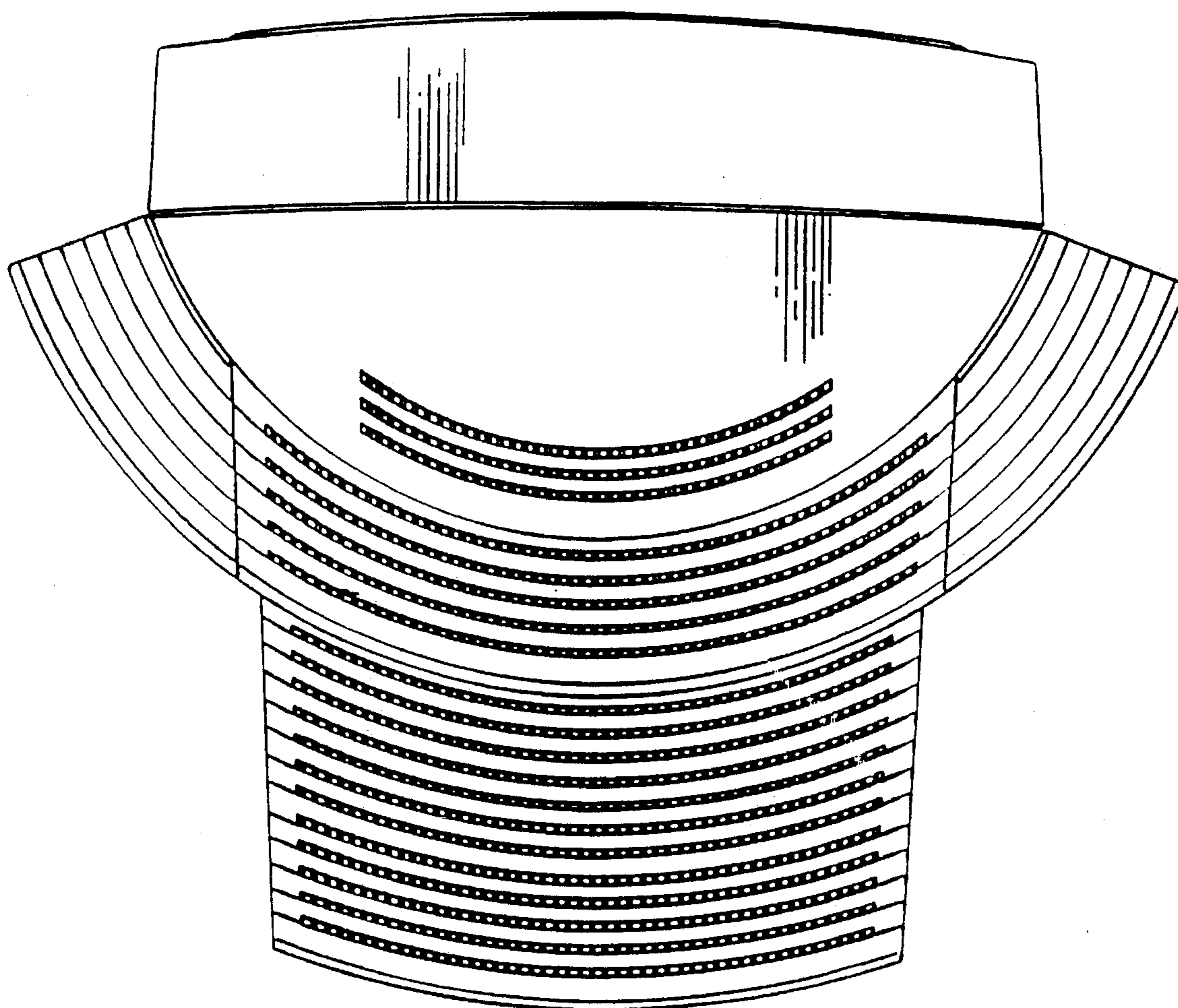


FIG. 4

FIG. 5



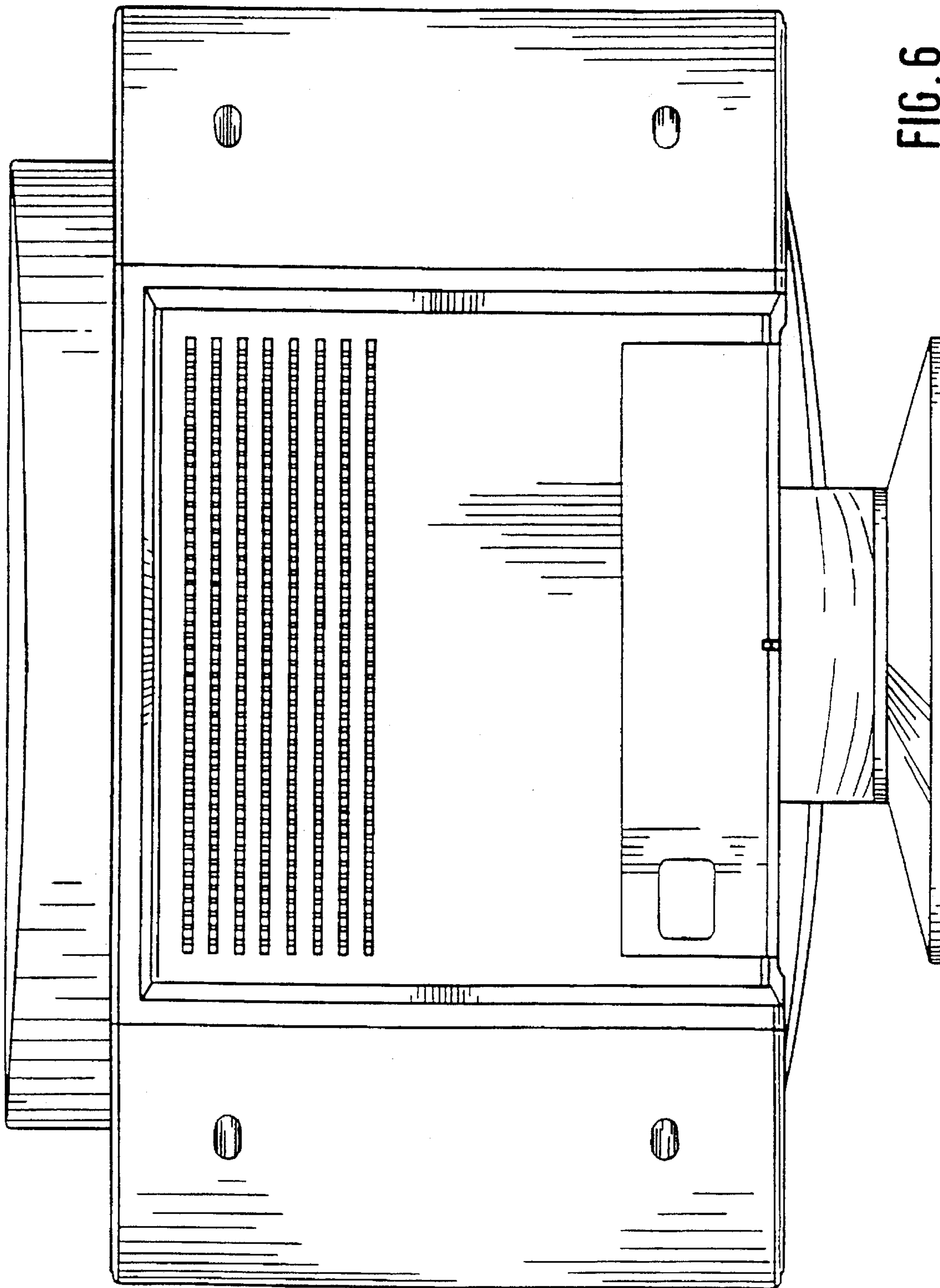


FIG. 6

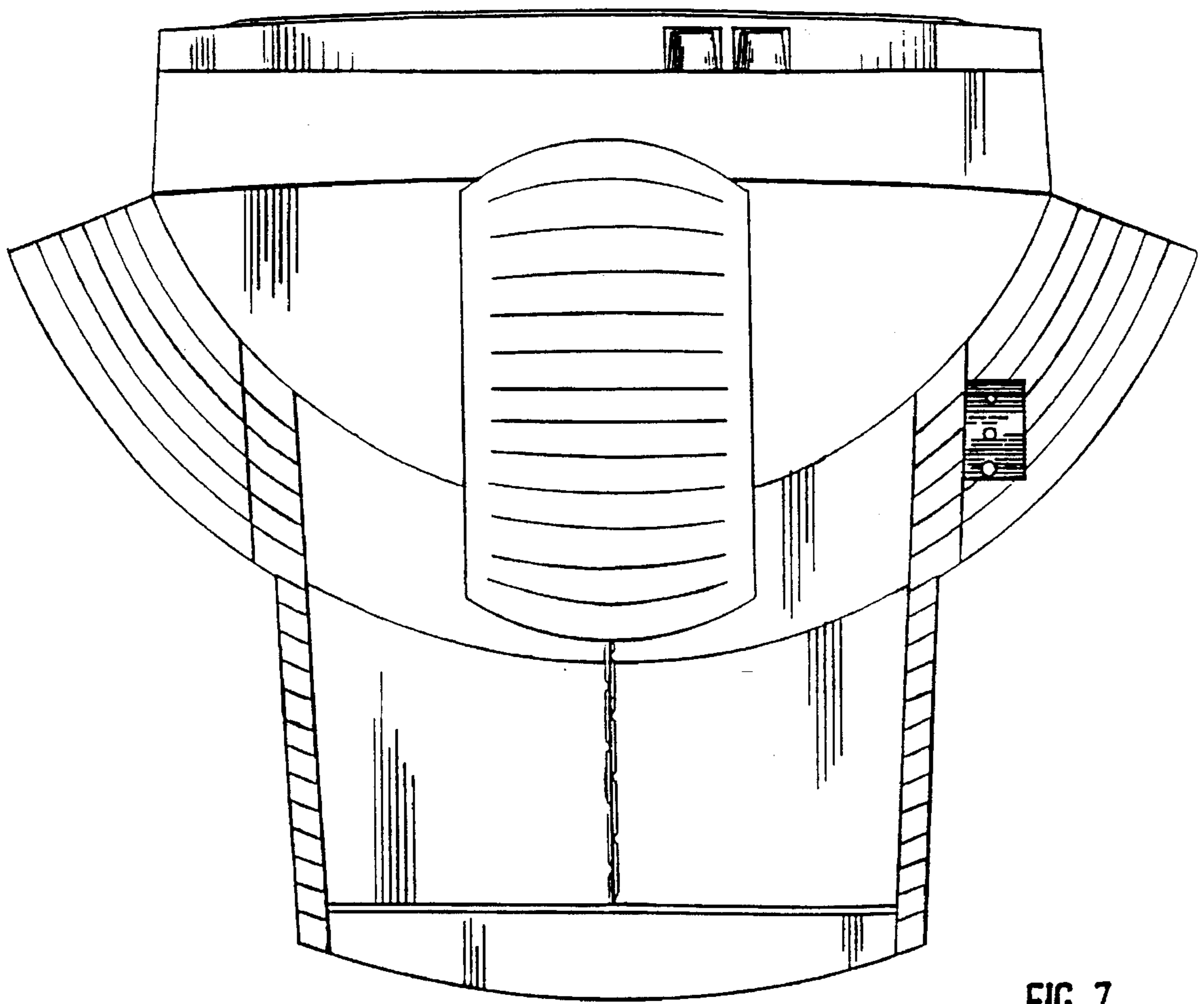


FIG. 7