



US00D375485S

United States Patent [19] Gray

[11] Patent Number: **Des. 375,485**
[45] Date of Patent: ****Nov. 12, 1996**

[54] **DATA STORAGE HOUSING**
[75] Inventor: **David Gray**, Stubbington Fareham,
England

D. 305,753 1/1990 Hoshino D14/102
D. 316,849 5/1991 Houghton D14/102
D. 360,405 7/1995 Hill et al. D14/100
D. 360,406 7/1995 Hill et al. D14/100

[73] Assignee: **Havant International Limited**,
Hampshire, United Kingdom

Primary Examiner—Freda Nunn
Attorney, Agent, or Firm—Galgano & Burke

[**] Term: **14 Years**

[57] **CLAIM**

[21] Appl. No.: **33,465**

The ornamental design for a data storage housing, as shown
and described.

[22] Filed: **Jan. 12, 1995**

DESCRIPTION

[30] Foreign Application Priority Data

Jul. 14, 1994 [GB] United Kingdom 2,040,320

[52] U.S. Cl. **D14/102**

[58] Field of Search D14/100, 102,
D14/107-109; D13/162, 184, 199; 312/208.1,
223.2, 223.3, 194; 360/97.01, 97.04, 98.01,
99.01, 99.12; 361/600, 622, 724-728, 694

FIG. 1 is a front perspective view of a data storage housing;
FIG. 2 is a rear perspective view of a data storage housing;
FIG. 3 is a front view of a data storage housing;
FIG. 4 is an enlarged side view of a data storage housing;
FIG. 5 is an enlarged top plan view of a data storage
housing; and,
FIG. 6 is a bottom plan view of a data storage housing.

[56] References Cited

U.S. PATENT DOCUMENTS

D. 280,898 10/1985 Benigni et al. D14/102 X

1 Claim, 6 Drawing Sheets

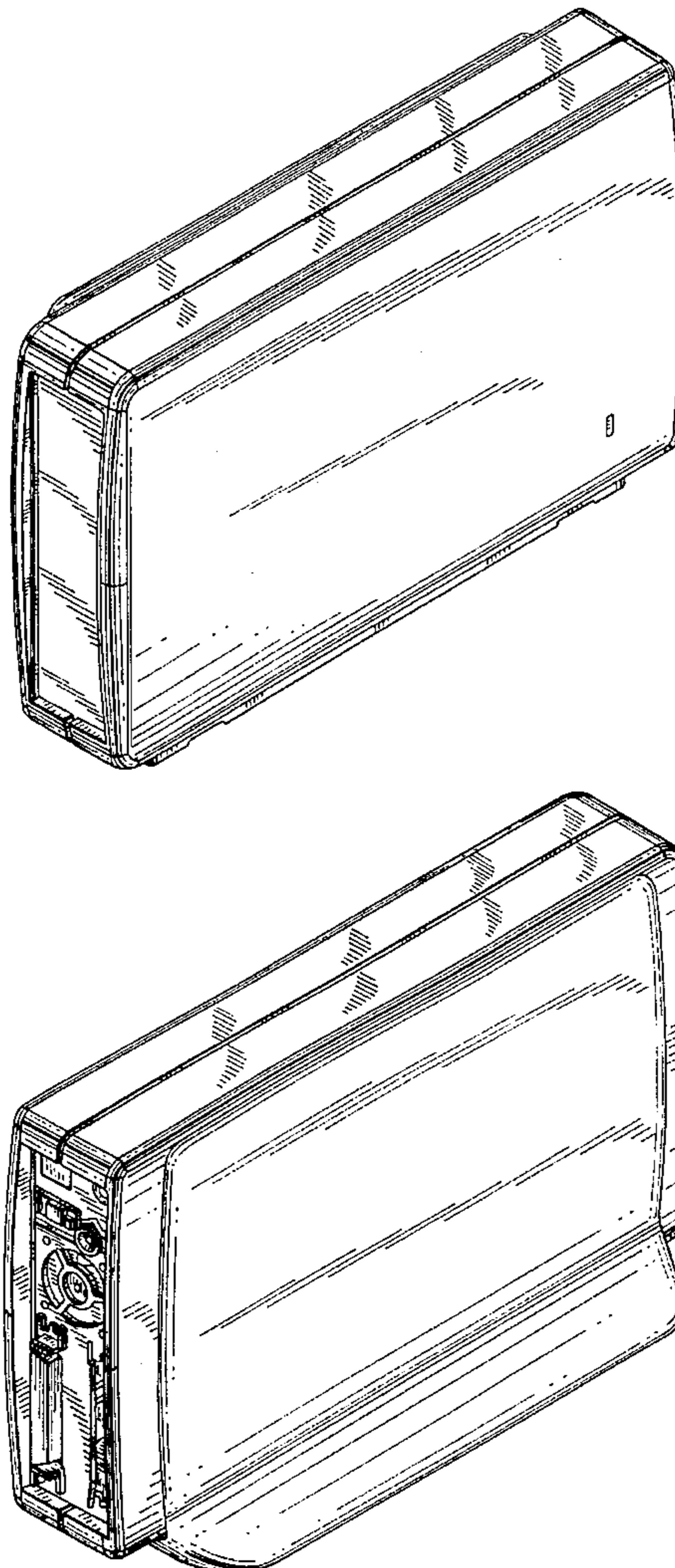


FIG. 1

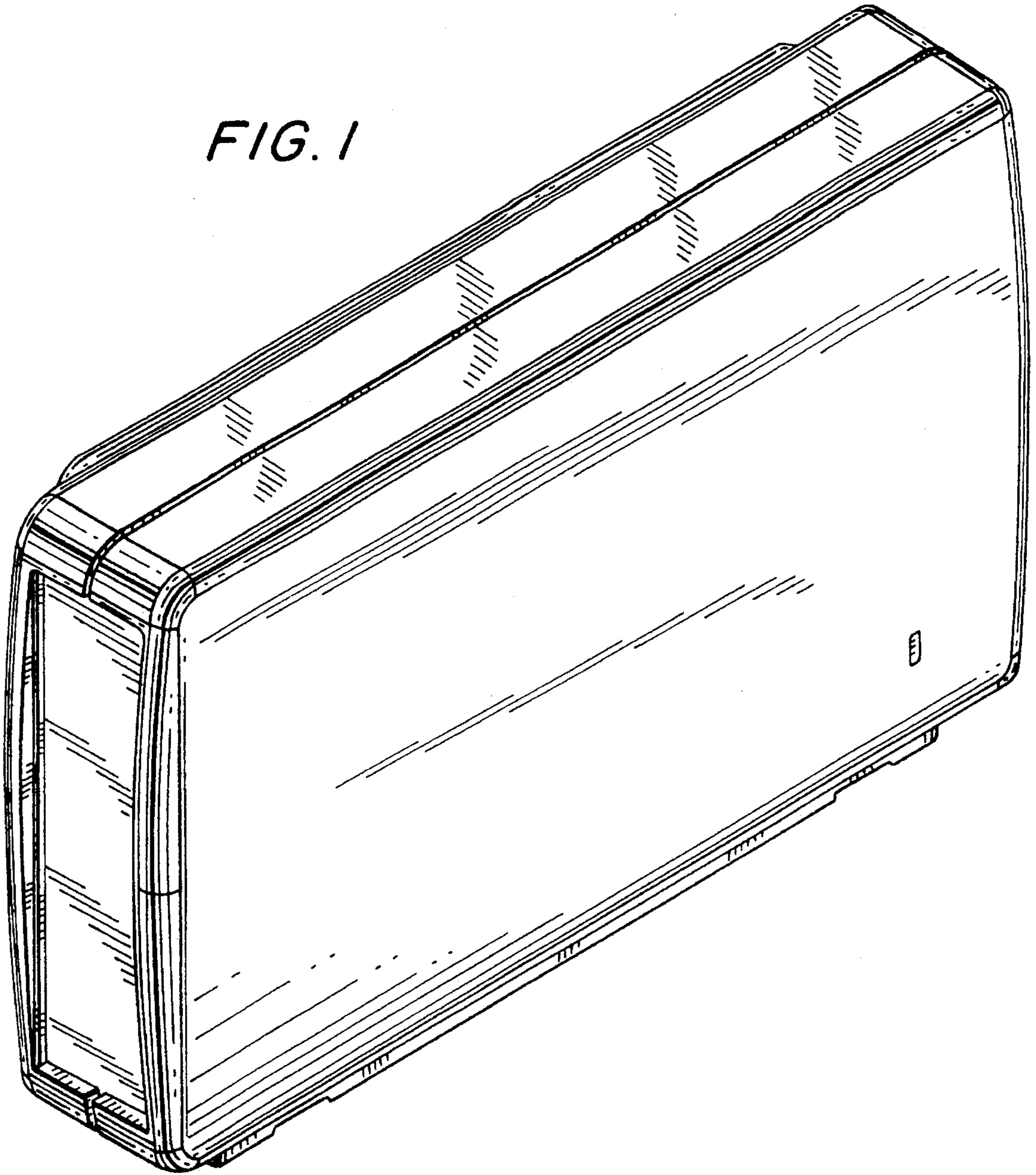
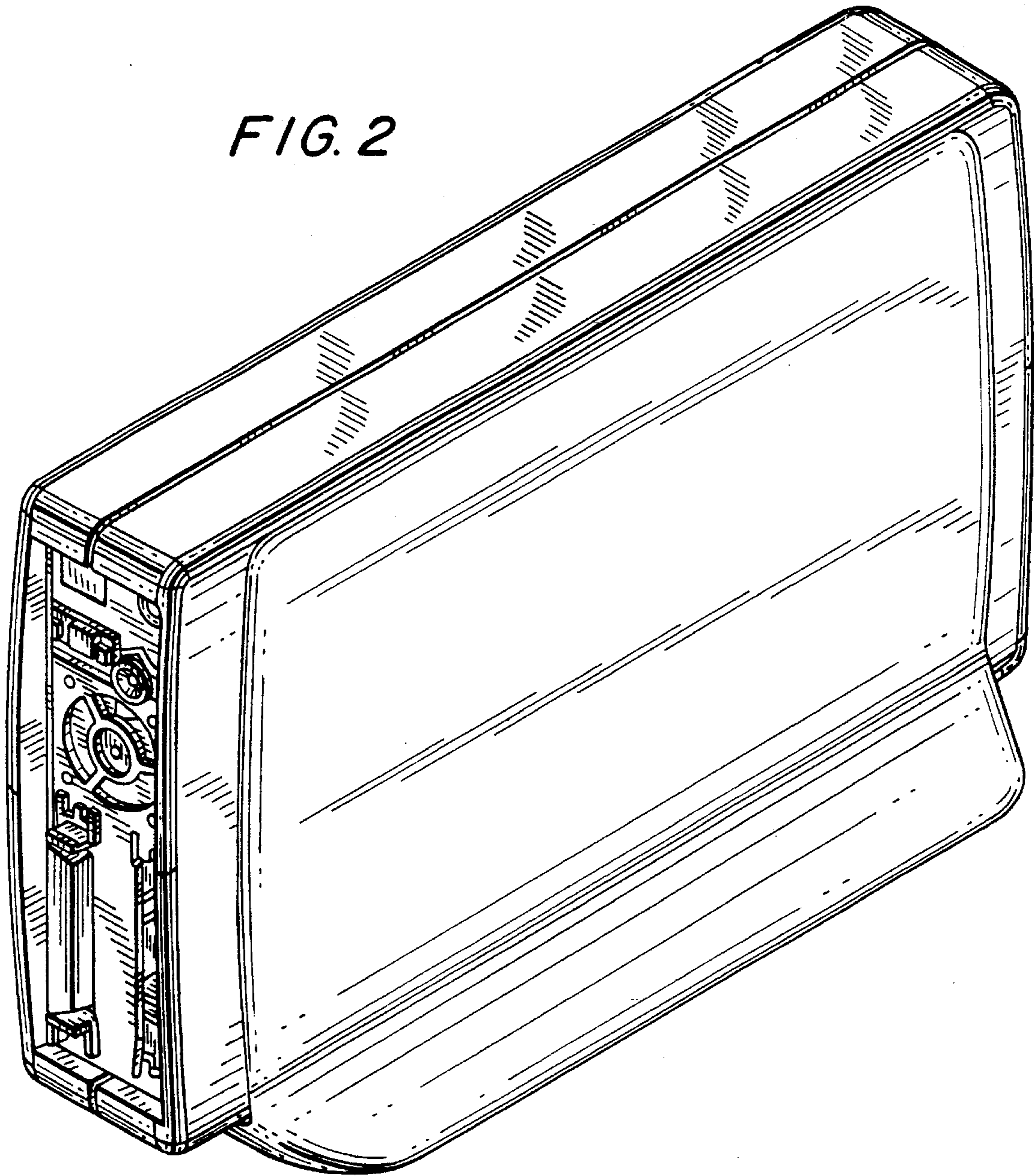


FIG. 2



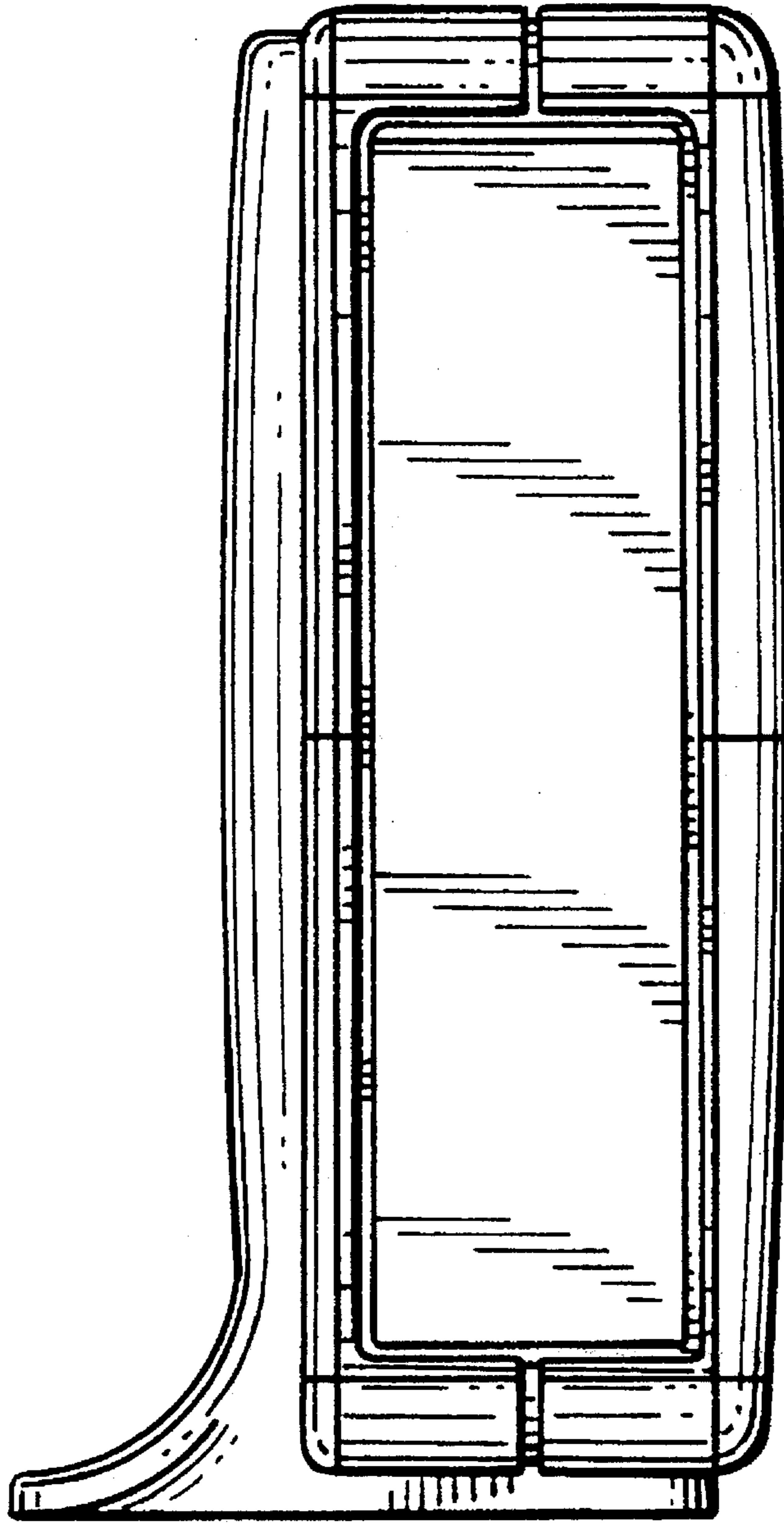


FIG. 3

FIG. 4

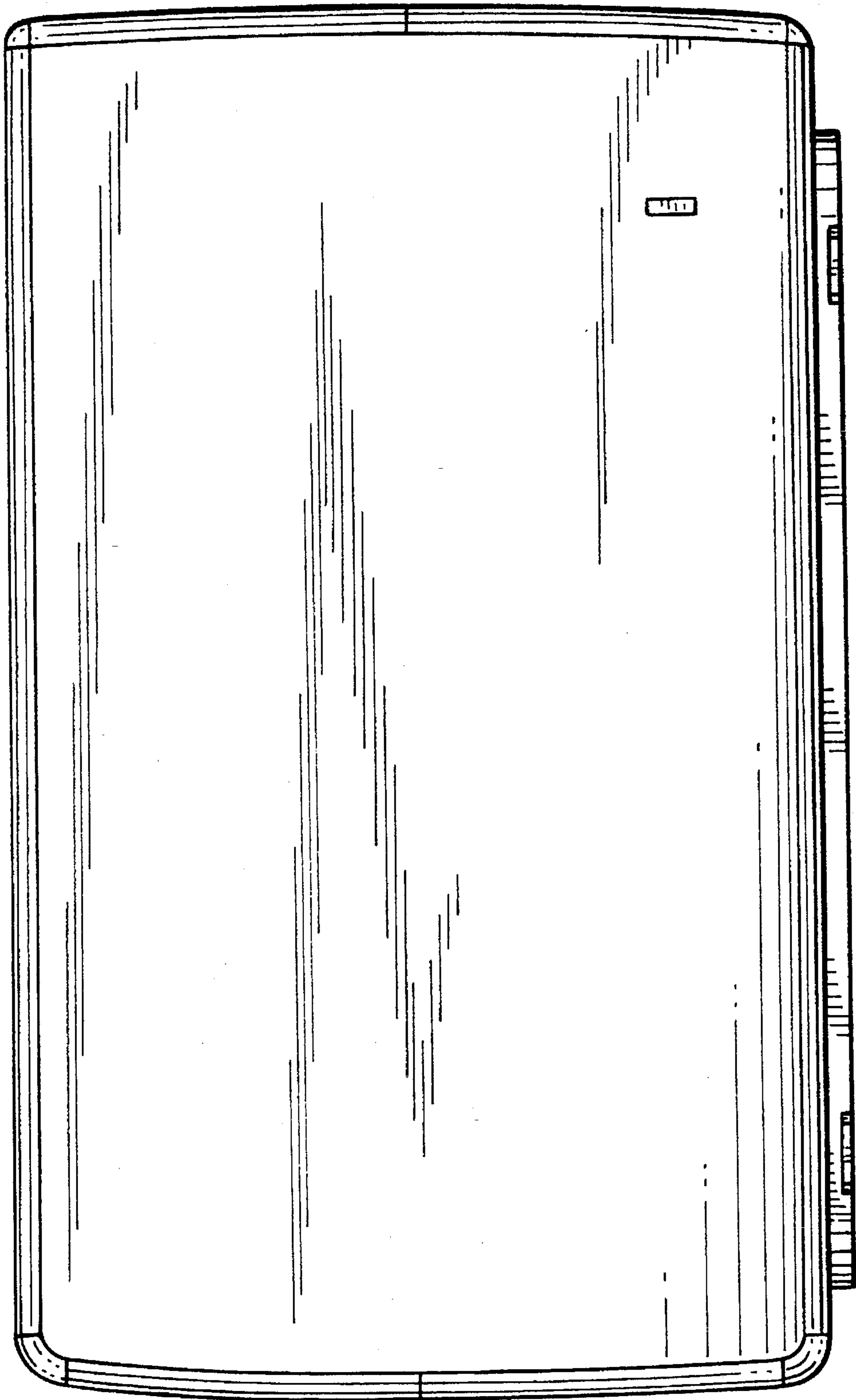


FIG. 5

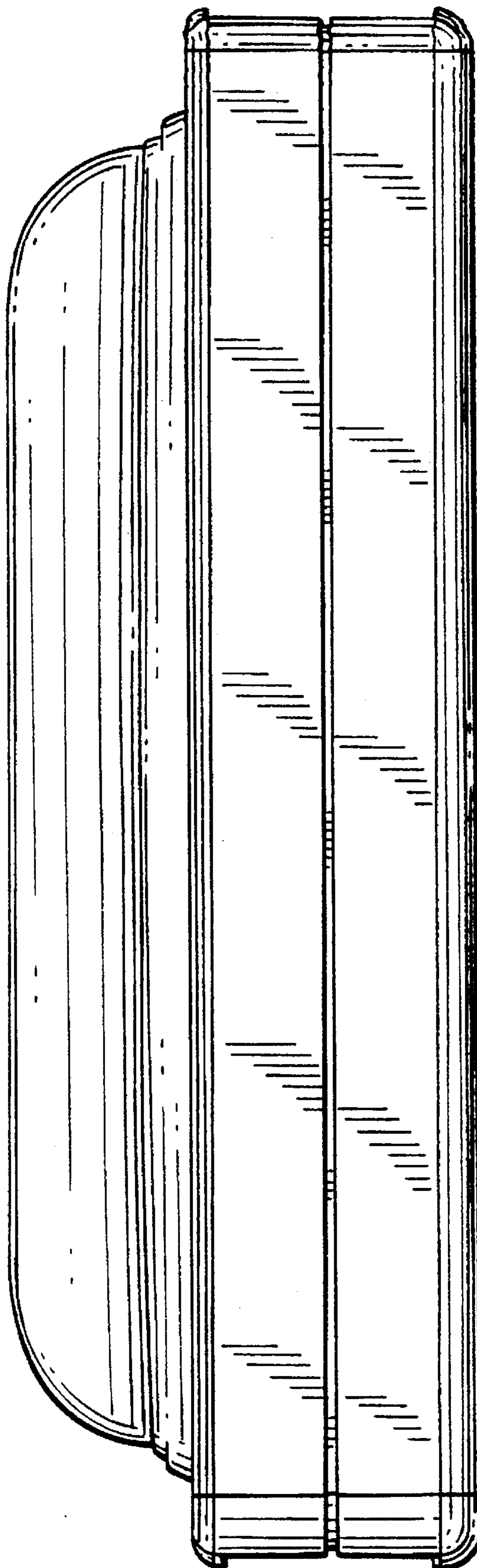


FIG. 6

