



US00D375484S

# United States Patent [19]

[11] Patent Number: **Des. 375,484**

Leifer

[45] Date of Patent: **\*\*Nov. 12, 1996**

[54] **COMPUTER MOUSE**

[76] Inventor: **Richard Leifer**, 11 Beaumont Dr.,  
Melville, N.Y. 11747

[\*\*] Term: **14 Years**

[21] Appl. No.: **32,784**

[22] Filed: **Dec. 28, 1994**

[52] U.S. Cl. .... **D14/114**

[58] Field of Search ..... D14/100, 114;  
D13/158; D21/48, 199, 203, 188; 178/18-9;  
200/5 R, 5 A, 6 R, 6 A; 213/148 B; 273/148 B,  
438; 345/156-67; 74/471 XY; D1/106;  
D7/603-4, 551; D11/49, 100, 134, 158

[56] **References Cited**

**U.S. PATENT DOCUMENTS**

D. 82,802	12/1930	Disney	.....	D21/188
D. 180,052	4/1957	Young	.....	D2/869
D. 255,968	7/1980	Shack	.....	D7/551
D. 291,203	8/1987	Silver	.....	D21/188 X
D. 325,296	4/1992	Wu	.....	D2/872 X
D. 332,758	1/1993	Shyan	.....	D11/49 X
D. 343,392	1/1994	Harden et al.	.....	D14/114
D. 348,349	7/1994	Blackwell	.....	D2/872
D. 353,855	12/1994	Miyazawa	.....	D21/188 X
4,701,629	10/1987	Citroën	.....	D14/114 X

**OTHER PUBLICATIONS**

Hong Kong Enterprise Toys catalog, vol. 1, 1993, p. 57.  
Walt Disney Character Merchandise, Mickey Mouse toy  
balloon, p. 58.

Chef's Catalog item Mickey Mouse waffle iron, p. 33.

*Primary Examiner*—M. H. Tung  
*Attorney, Agent, or Firm*—Collard & Roe, P.C.

[57] **CLAIM**

The ornamental design for a computer mouse, as shown and described.

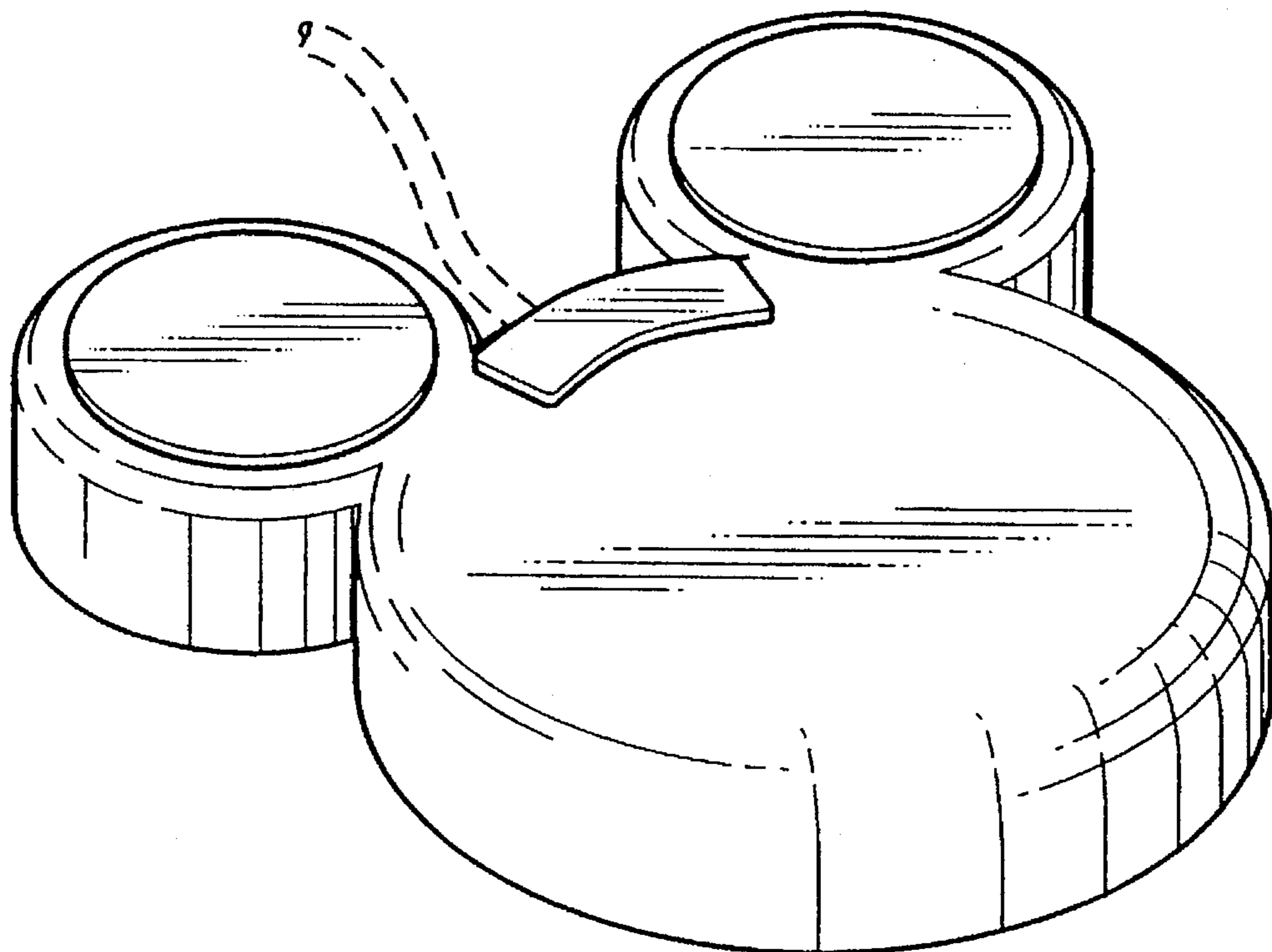
**DESCRIPTION**

FIG. 1 is a perspective view of a computer mouse, showing my new design;  
FIG. 2 is a top plan view thereof;  
FIG. 3 is a rear elevational view thereof;  
FIG. 4 is a left side elevational view thereof;  
FIG. 5 is a front elevational view thereof;  
FIG. 6 is a right side elevational view thereof;  
FIG. 7 is a bottom plan view thereof;  
FIG. 8 is a perspective view of a computer mouse showing a second embodiment of my new design; and,  
FIG. 9 is a top plan view thereof.

The rear elevational view thereof, the left side elevational view thereof, the front elevational view thereof, the right side elevational view thereof and the bottom plan view thereof are identical to FIGS. 3-7, respectively.

The broken line drawing of a portion of a cord in FIGS. 1-4 and 6-9 is for illustrative purposes only and forms no part of the claimed design.

**1 Claim, 4 Drawing Sheets**



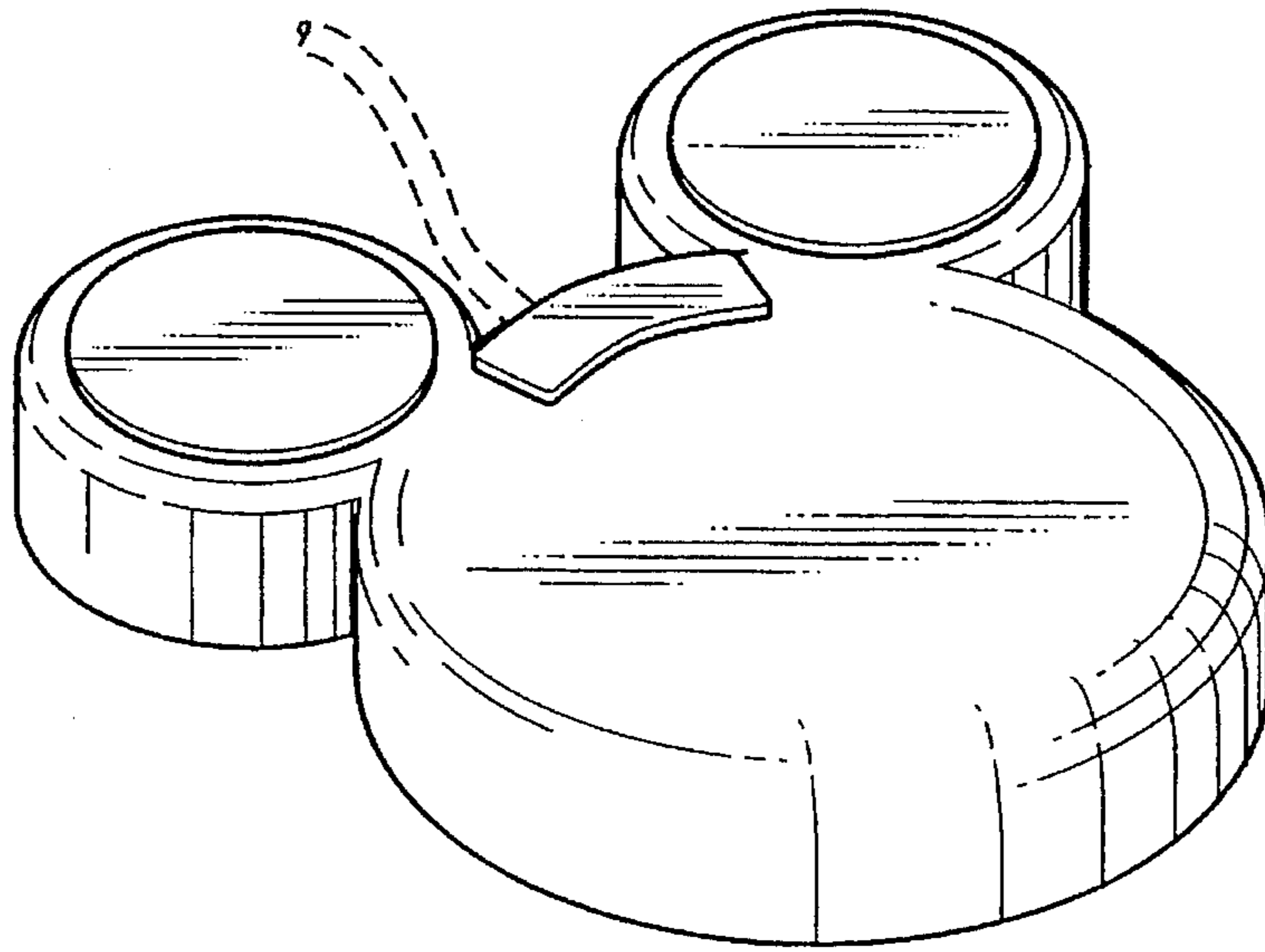


Fig. 1

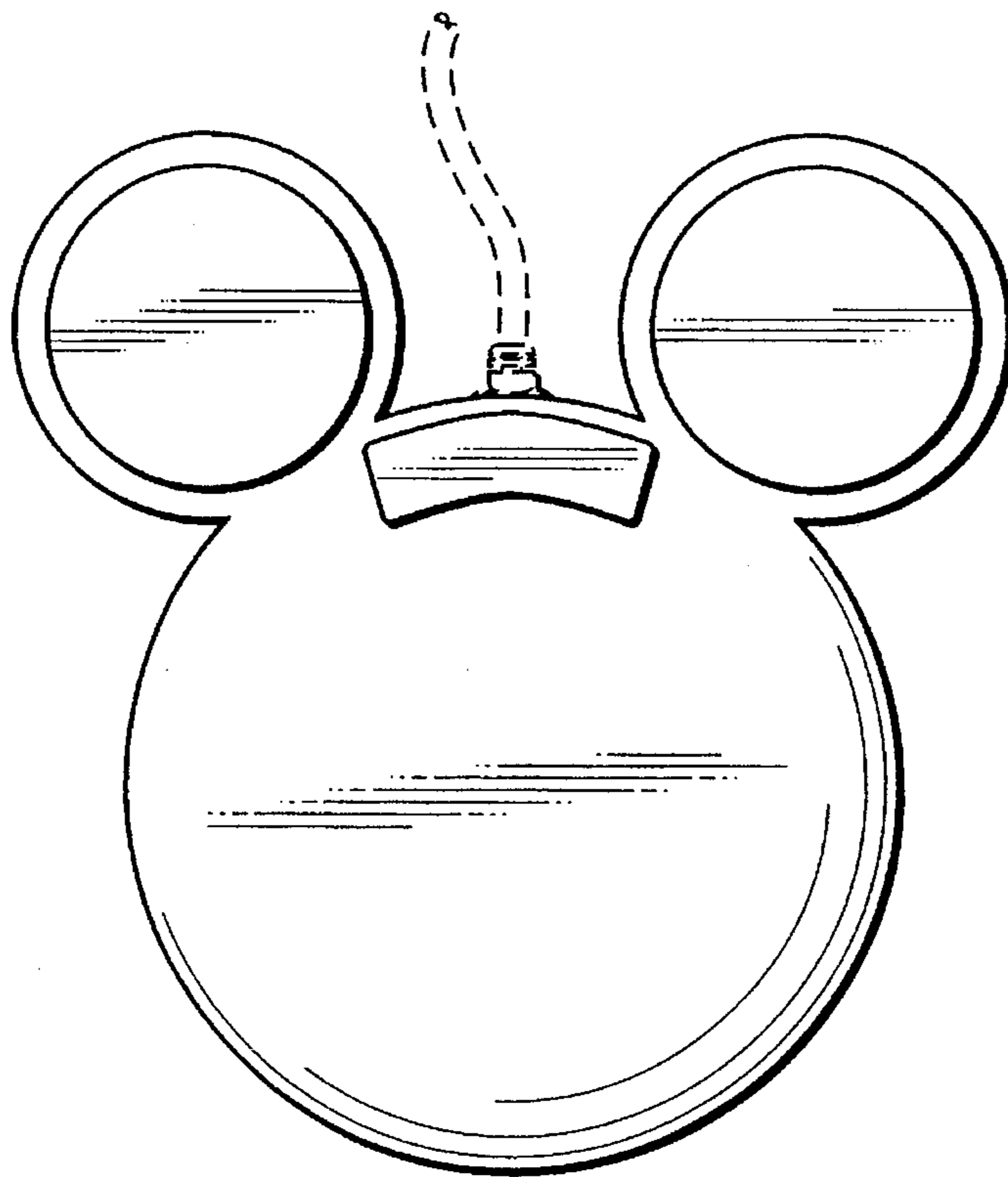
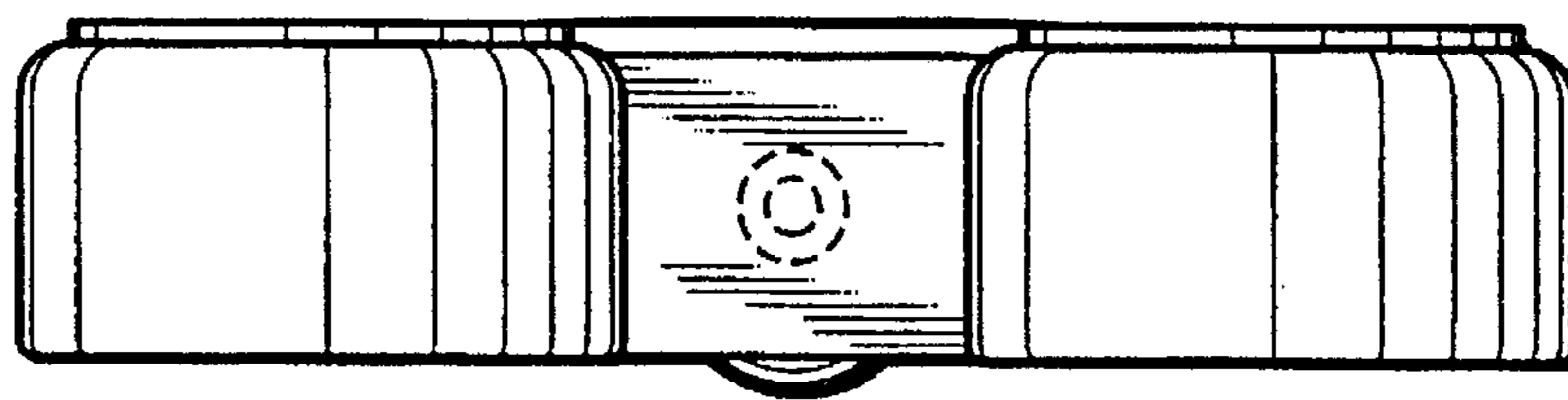
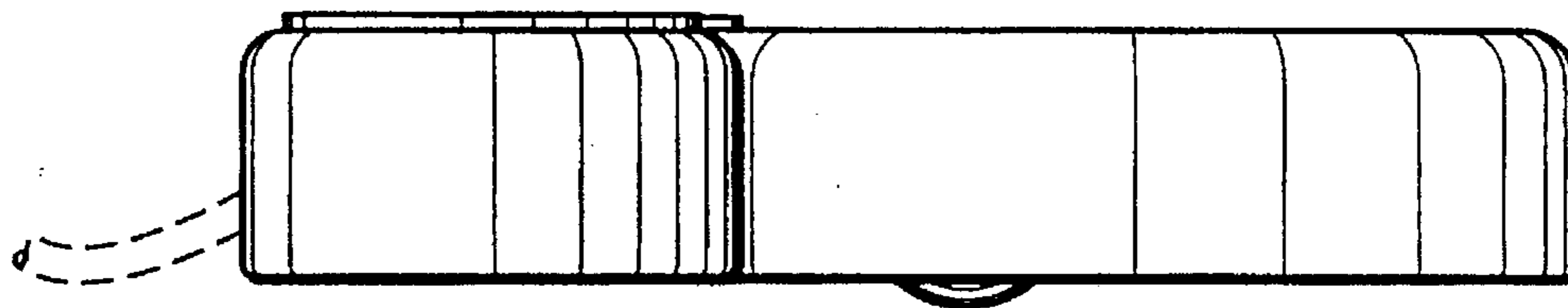


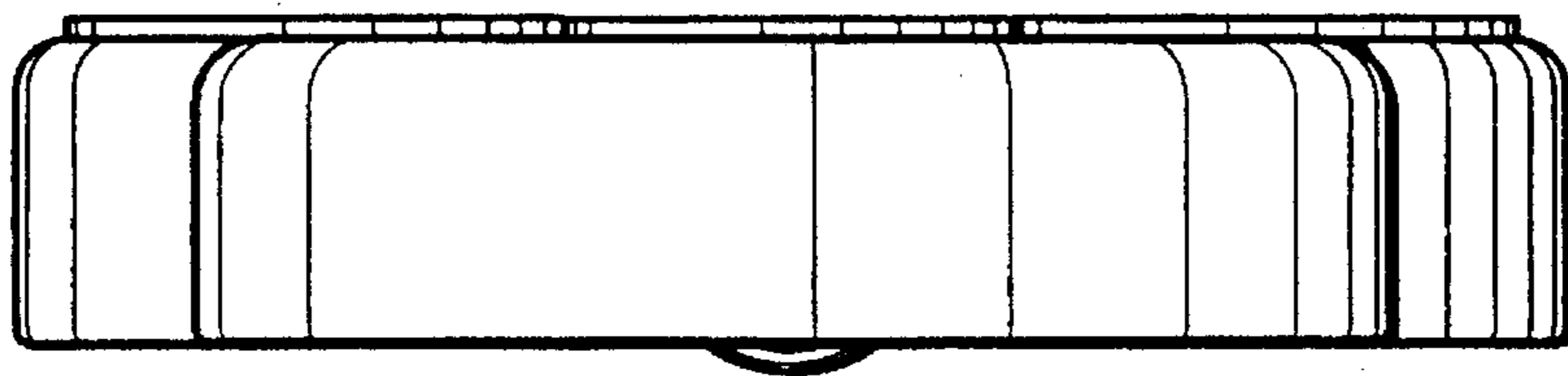
Fig. 2



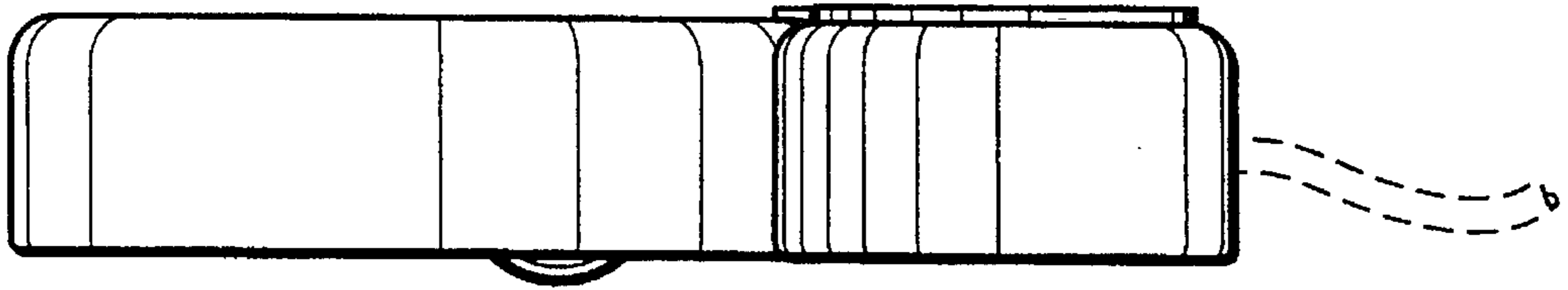
*Fig. 3*



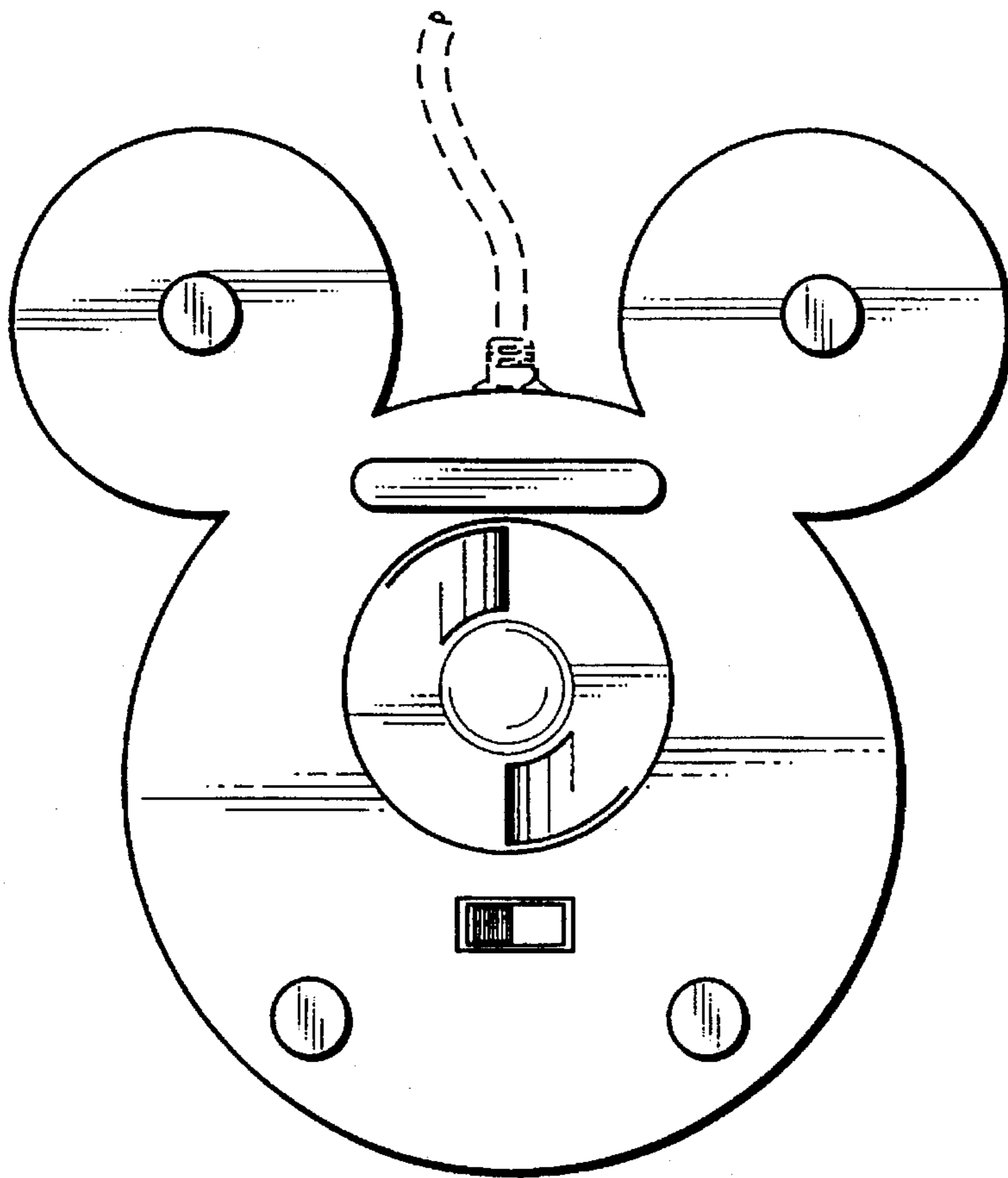
*Fig. 4*



*Fig. 5*



*Fig. 6*



*Fig. 7*

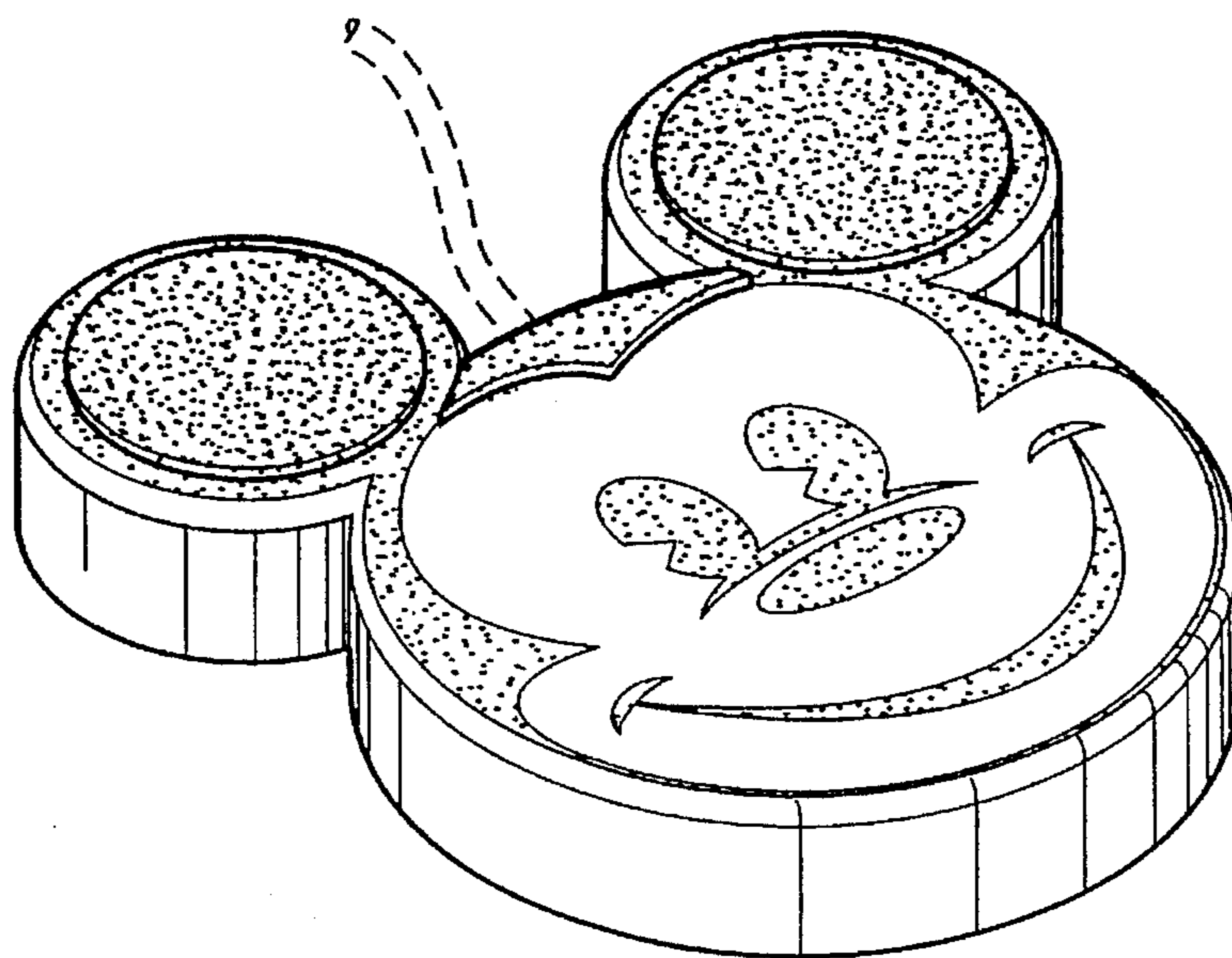


Fig. 8

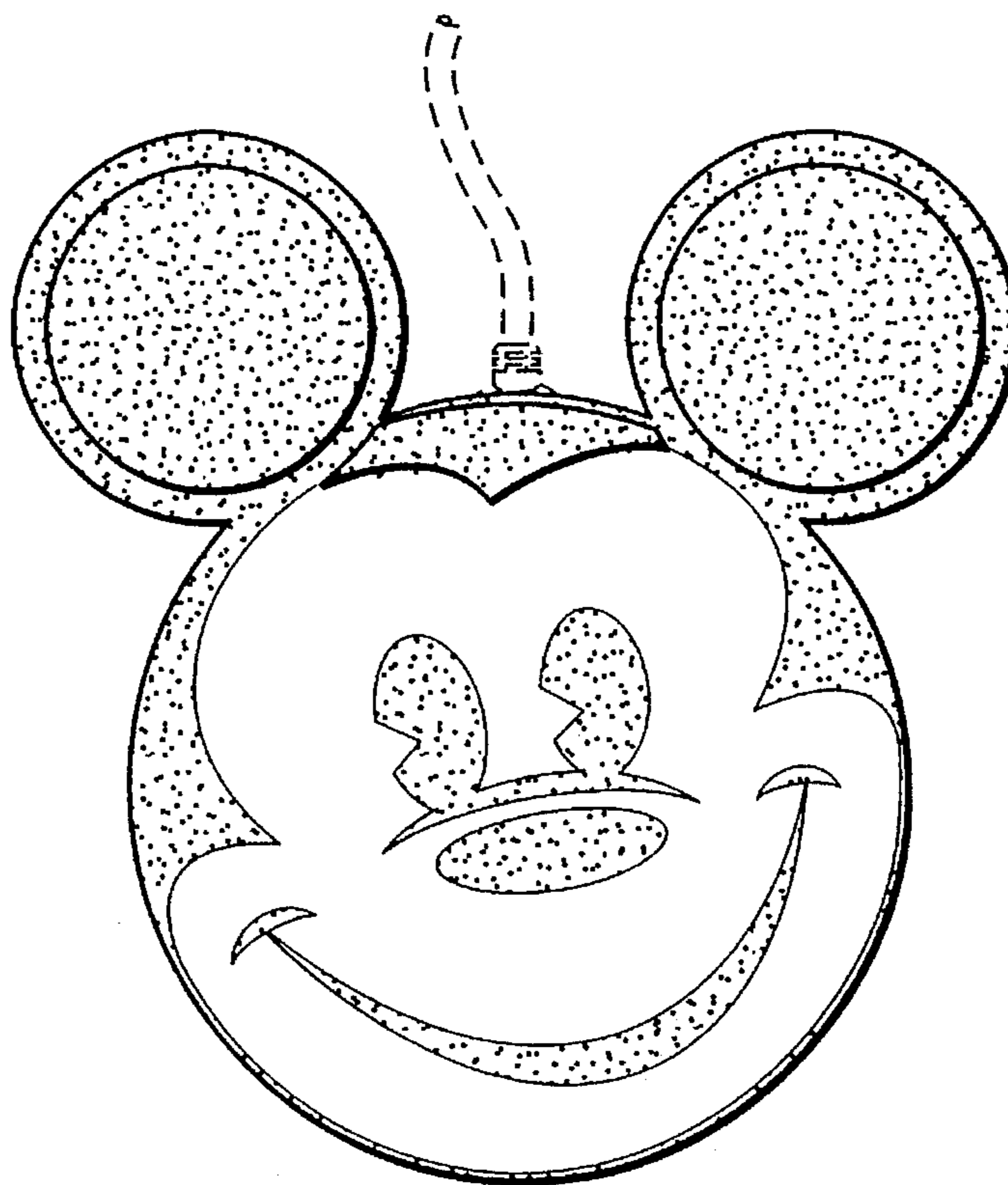


Fig. 9