



US00D375482S

# United States Patent [19]

Andrews

[11] Patent Number: **Des. 375,482**

[45] Date of Patent: **\*\*Nov. 12, 1996**

[54] **BATTERY**

D. 323,809 2/1992 Ross, Jr. .... D13/103  
D. 346,584 5/1994 Taniguchi ..... D13/106 X

[75] Inventor: **Jonathan N. Andrews**, Monmouth, Oreg.

*Primary Examiner*—Joel Sincavage  
*Attorney, Agent, or Firm*—Curtis G. Rose

[73] Assignee: **Hewlett-Packard Company**, Palo Alto, Calif.

[57] **CLAIM**

[\*\*] Term: **14 Years**

The ornamental design for a battery, as shown and described.

[21] Appl. No.: **38,918**

### DESCRIPTION

[22] Filed: **May 16, 1995**

[52] U.S. Cl. .... **D13/103**

[58] Field of Search ..... D13/103; 429/97,  
429/98, 99, 121, 159, 163, 176

FIG. 1 is a perspective view of a battery showing my new design;

FIG. 2 is a top plan view thereof;

FIG. 3 is a bottom plan view thereof;

FIG. 4 is a front elevational view thereof;

FIG. 5 is a back elevational view thereof; and,

FIG. 6 is a left side elevational view thereof.

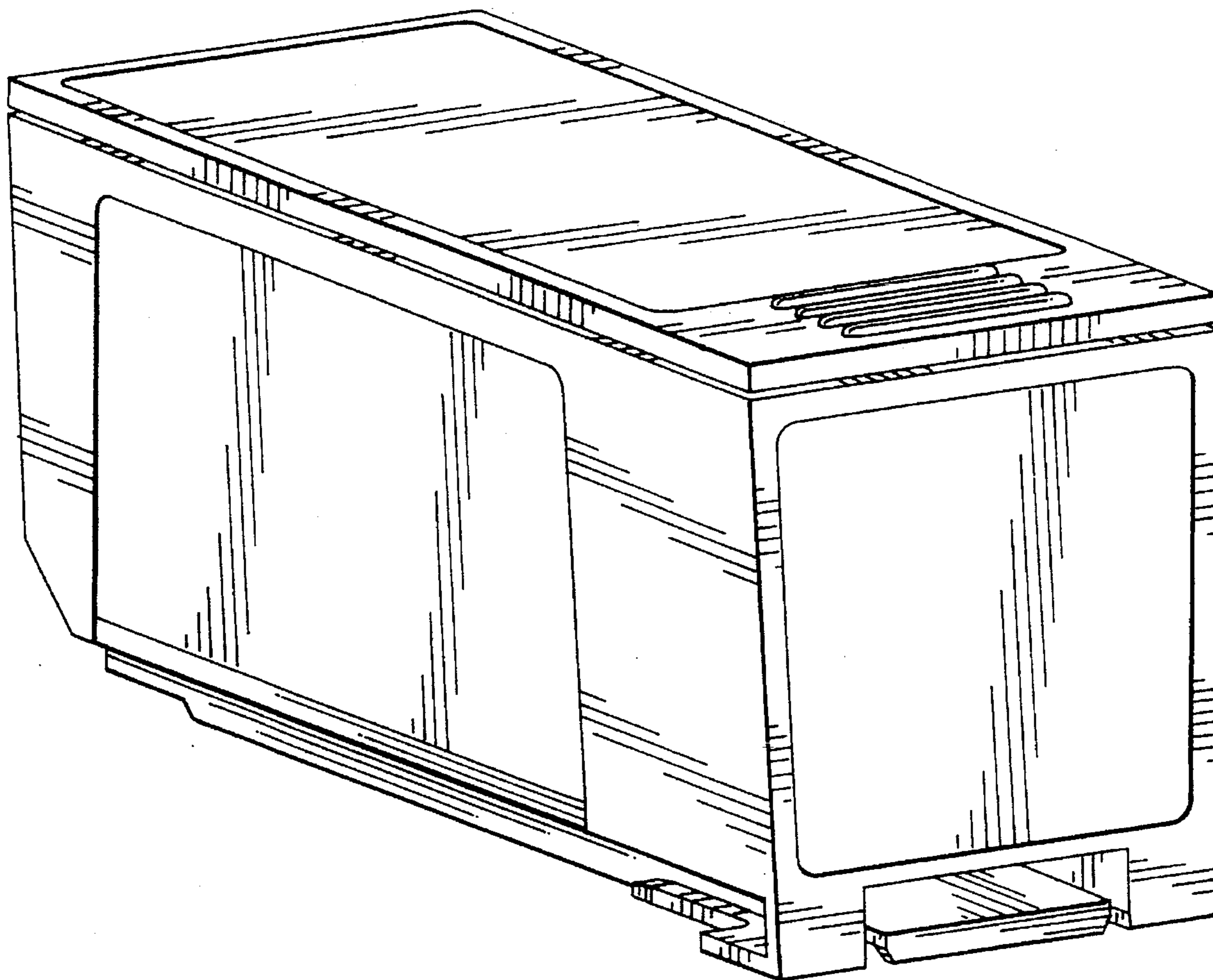
The right side elevational view is not shown, as it is a mirror image of the left side elevational view of FIG. 6.

### [56] References Cited

#### U.S. PATENT DOCUMENTS

D. 299,226 1/1989 Toth et al. .... D13/103  
D. 321,680 11/1991 Blount et al. .... D13/103

**1 Claim, 3 Drawing Sheets**



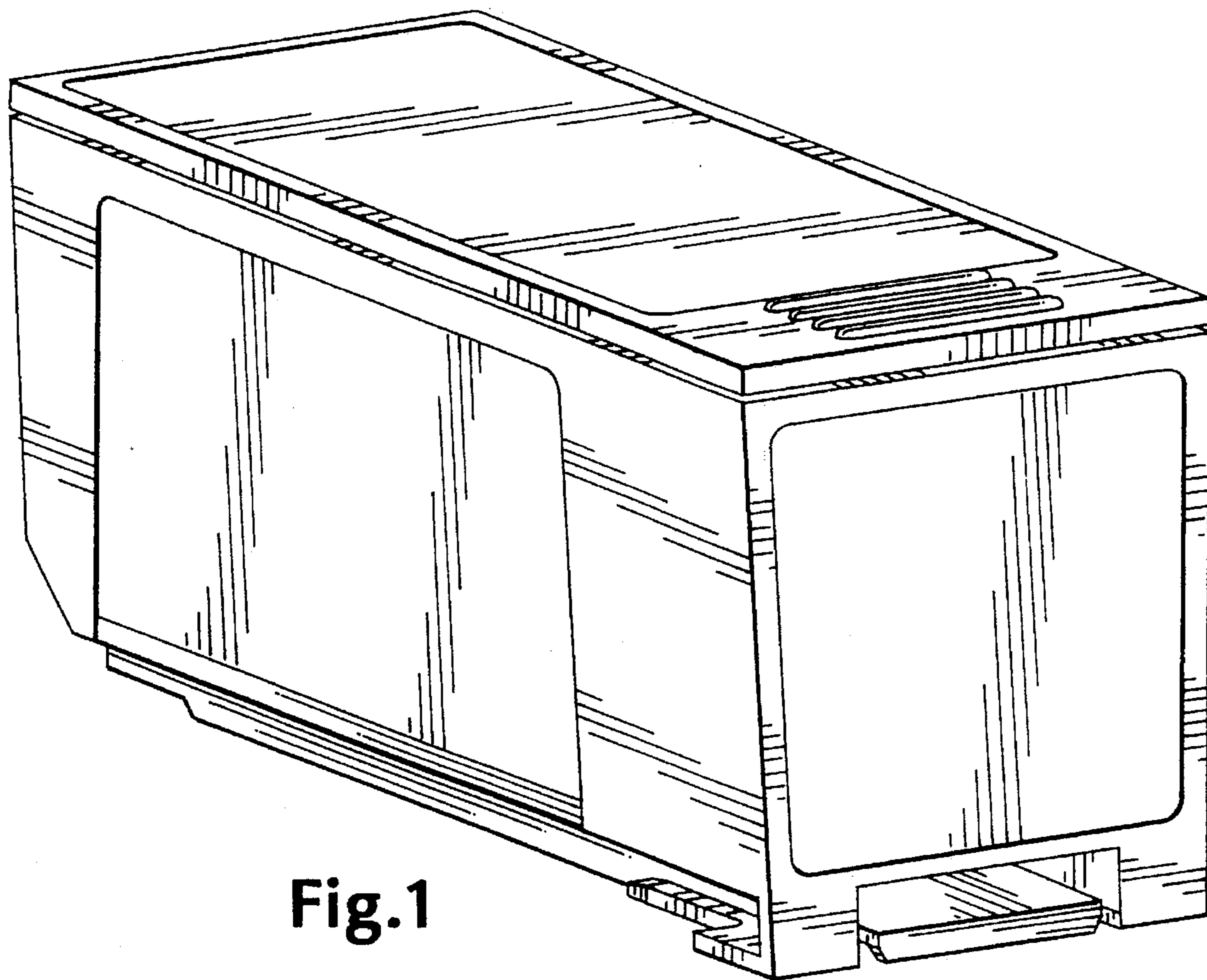


Fig.1

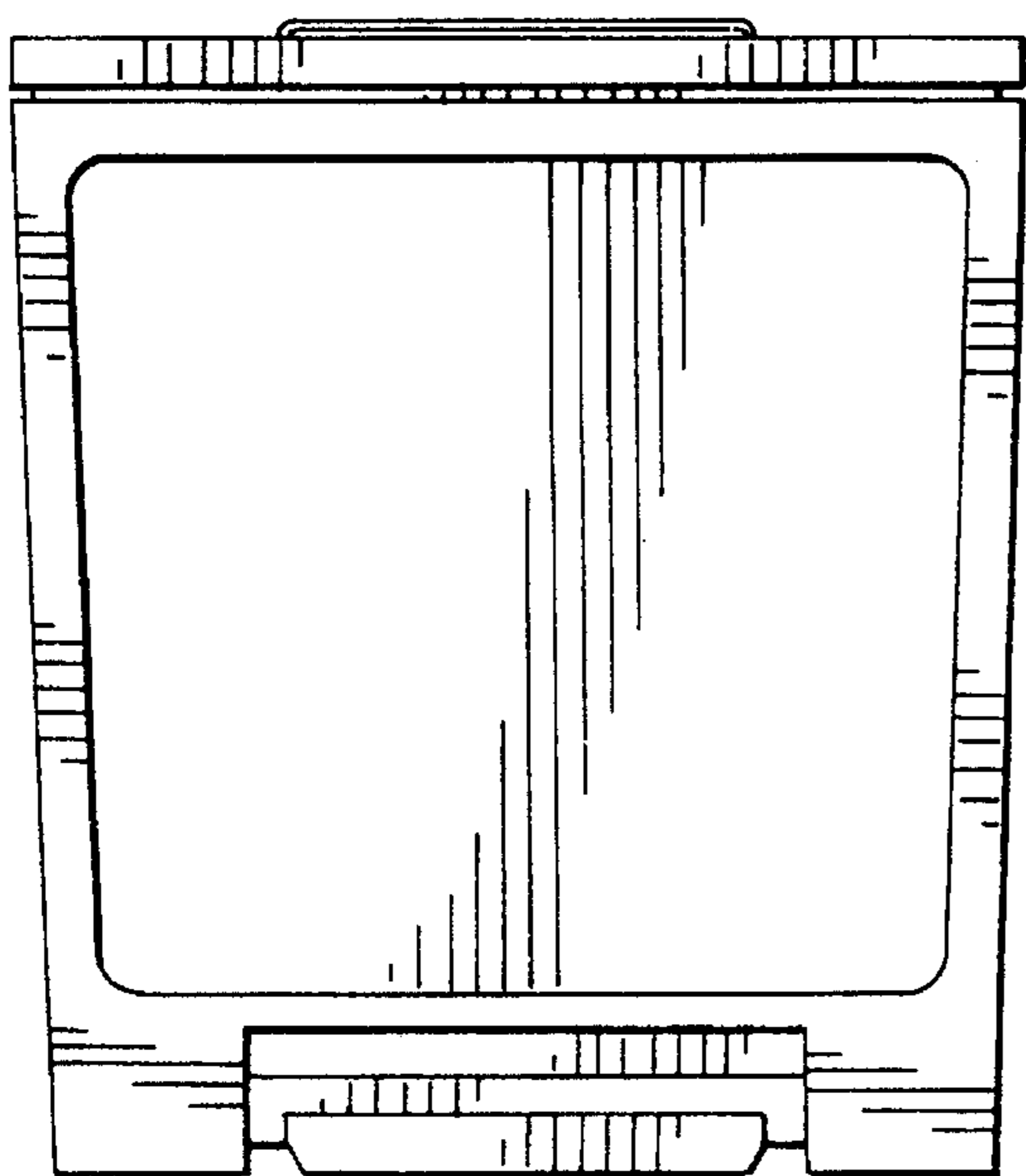


Fig.4

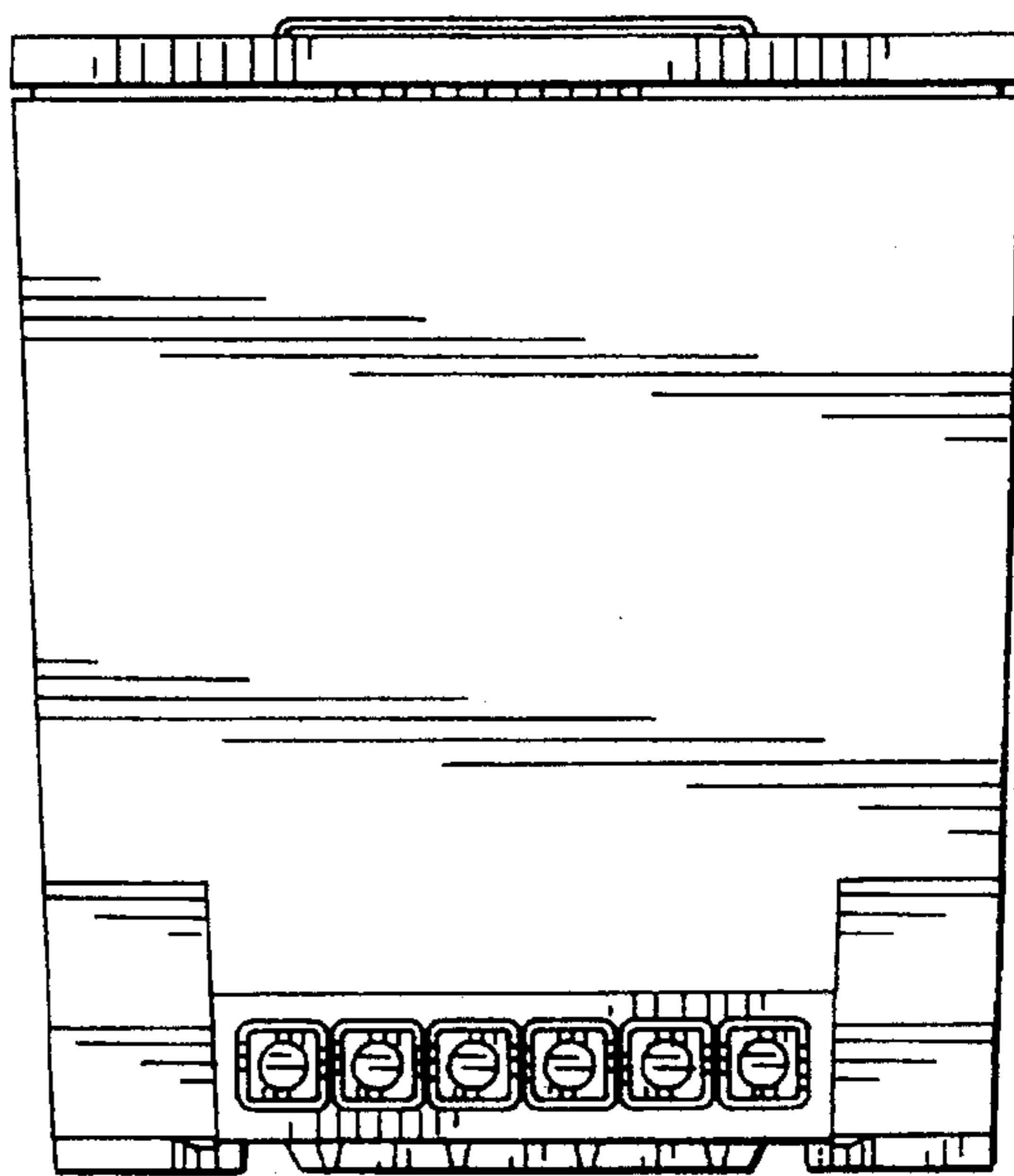


Fig.5

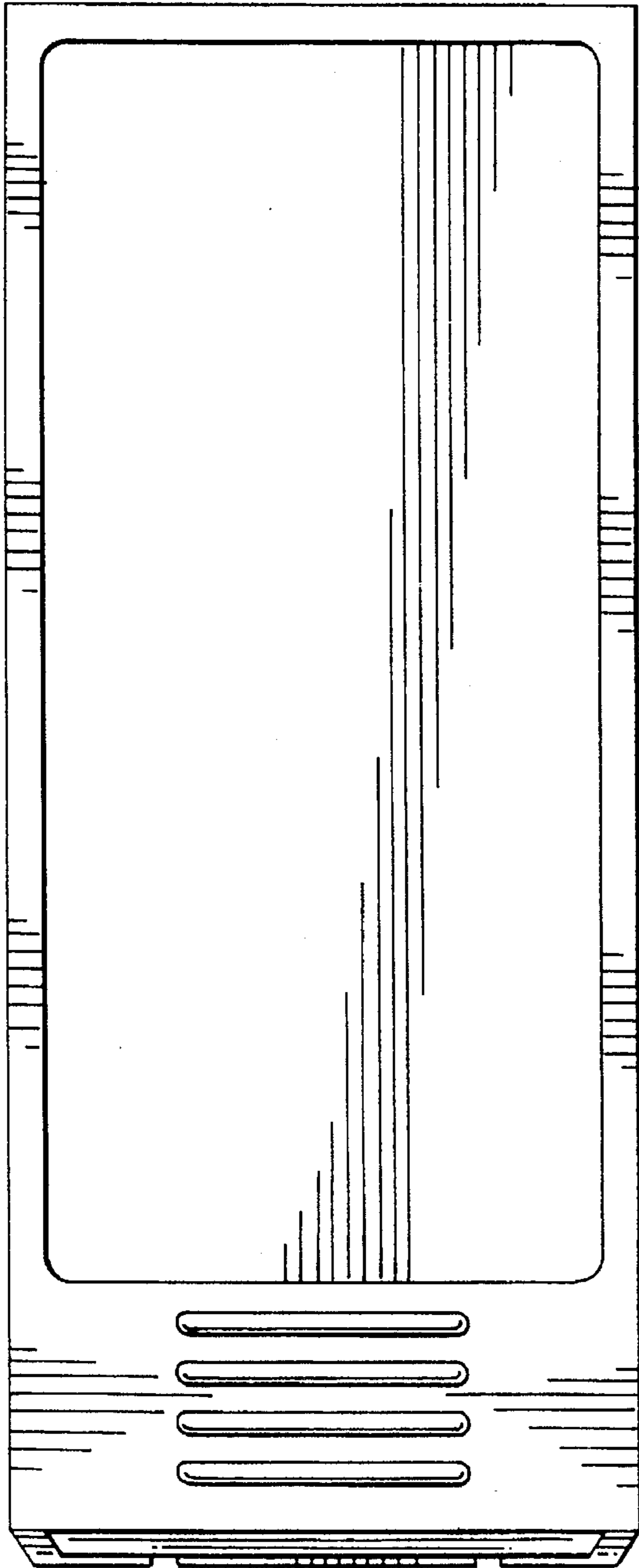


Fig. 2

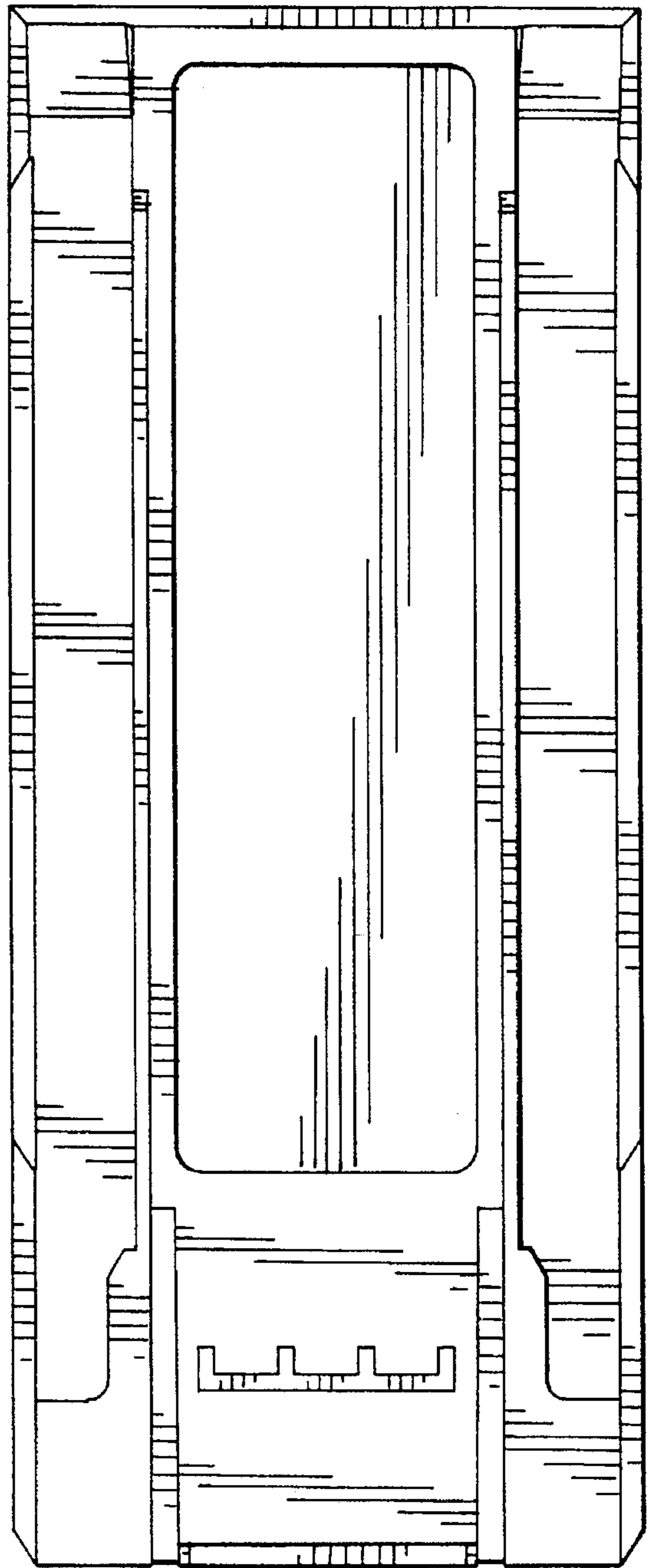


Fig. 3

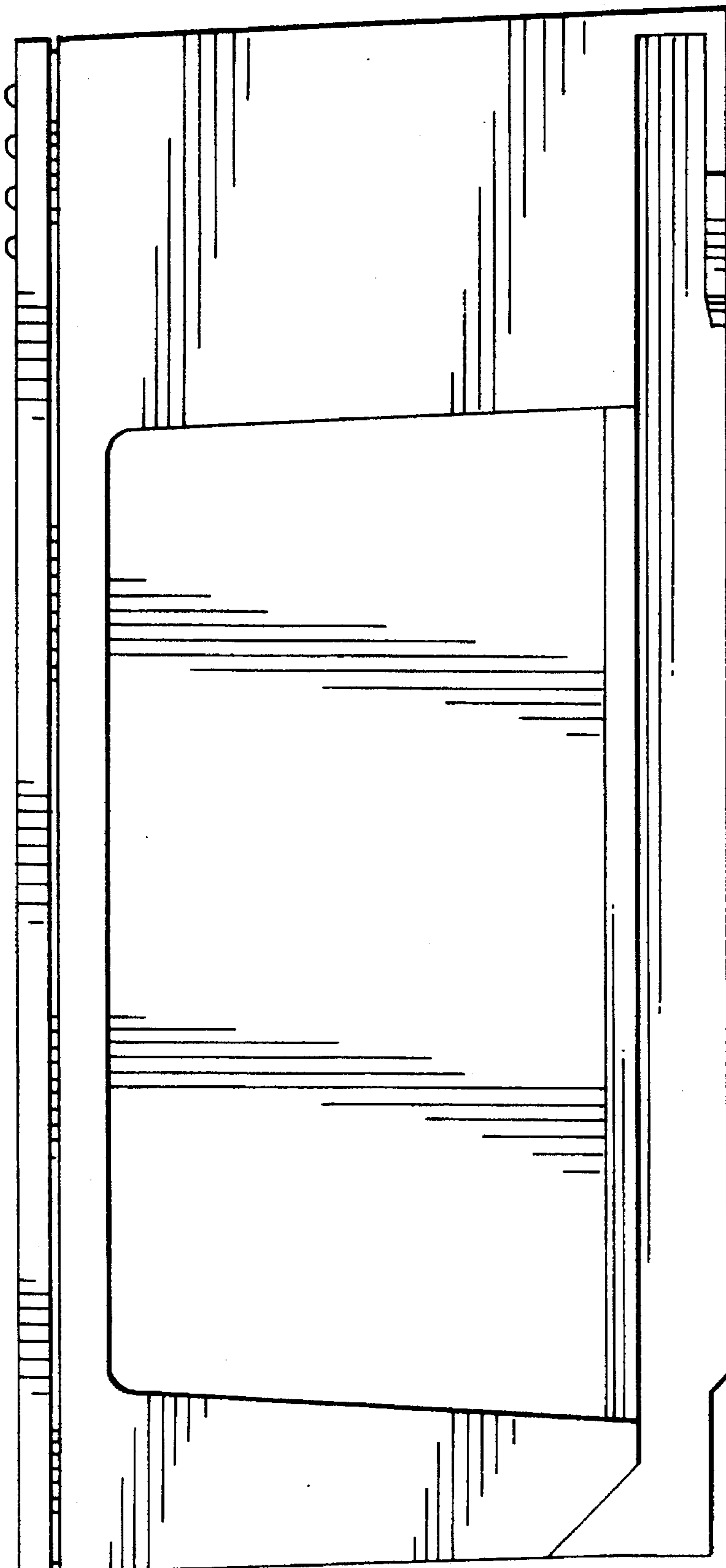


Fig. 6