



US00D375474S

United States Patent [19]

[11] Patent Number: **Des. 375,474**

Henderson et al.

[45] Date of Patent: ****Nov. 12, 1996**

[54] **WALKER GLIDE**

[76] Inventors: **Richard E. Henderson; Kathleen A. O'Brien**, both of 107 Whispering Sands Cir., Sarasota, Fla. 34242

[**] Term: **14 Years**

[21] Appl. No.: **22,447**

[22] Filed: **May 5, 1994**

[52] U.S. Cl. **D12/133**

[58] Field of Search D8/374; 248/188.2, 248/346-346.1; 16/42 R, 421, 43; D12/133

[56] References Cited

U.S. PATENT DOCUMENTS

D. 180,145	4/1957	Guillaumant	D8/374
1,294,273	2/1919	Jagar	16/42 R
3,883,923	5/1975	England	16/42 R

Primary Examiner—Holly H. Baynham
Attorney, Agent, or Firm—Charles J. Prescott

[57] CLAIM

The ornamental design for a walker glide, as shown and described.

DESCRIPTION

FIG. 1 is a top plan view of a walker glide showing my new design;

FIG. 2 is a side elevation view thereof with the opposite side being a mirror image;

FIG. 3 is a bottom plan view thereof;

FIG. 4 is a left end elevation view as shown in FIG. 2;

FIG. 5 is a right end elevation view as shown in FIG. 2;

FIG. 6 is a side elevation view of the connected walker glide shown in use;

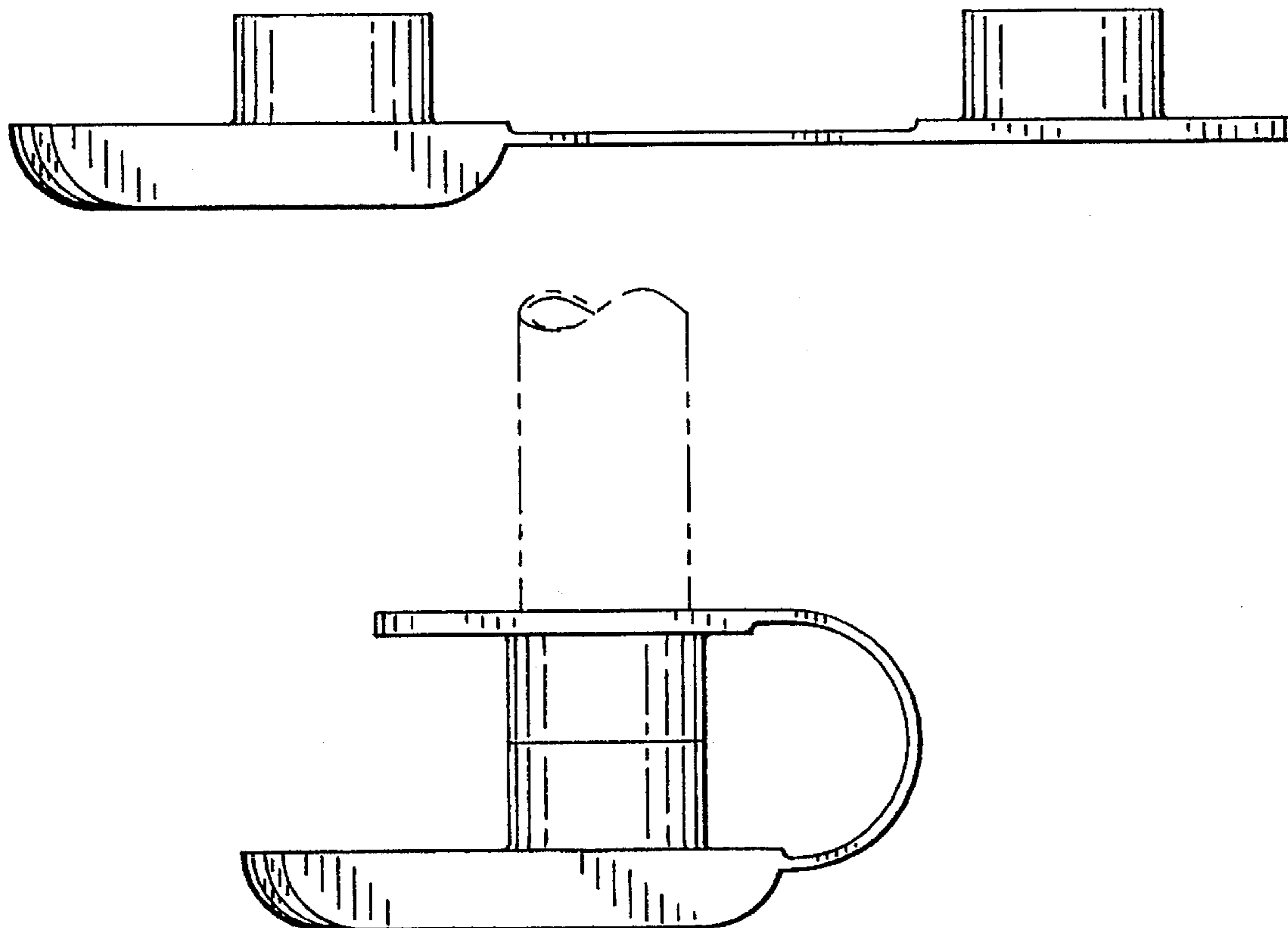
FIG. 7 is a left end elevation view of the connected walker glide shown in use;

FIG. 8 is a right end elevation view of the connected walker glide shown in use; and,

FIG. 9 is a top plan view of the connected walker glide shown in use.

The broken line showing a fragmented leg of a walker in FIGS. 7 to 10 is for illustrative purposes only and forms no part of the claimed design.

1 Claim, 2 Drawing Sheets



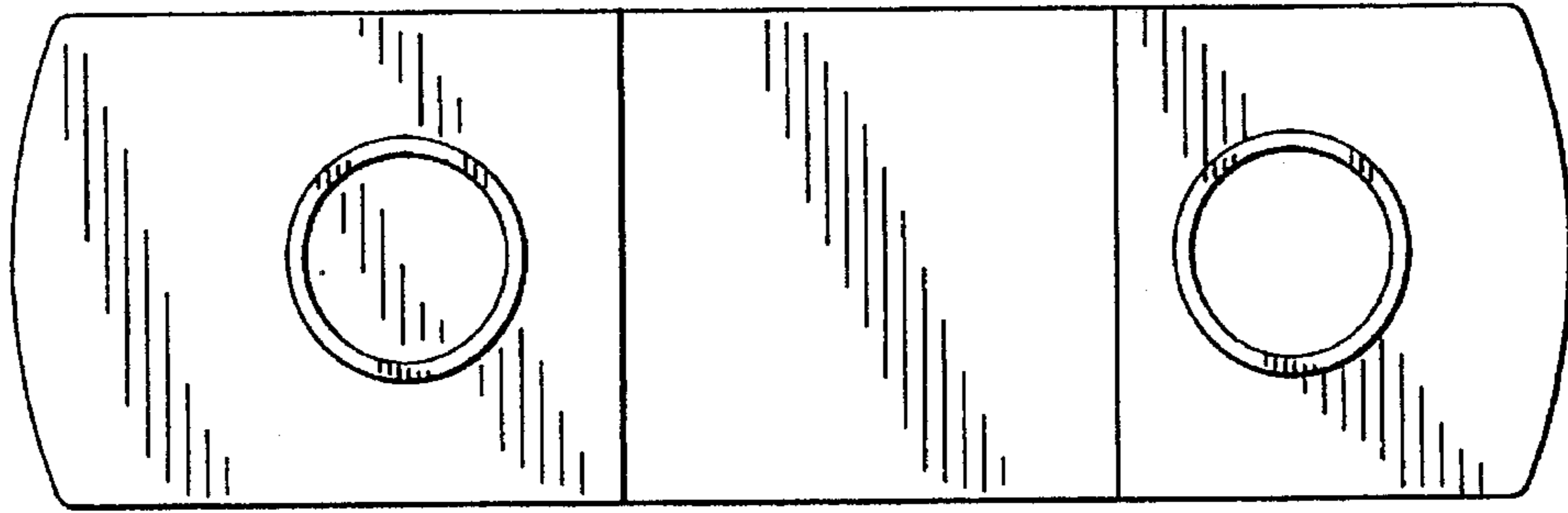


FIG. 1

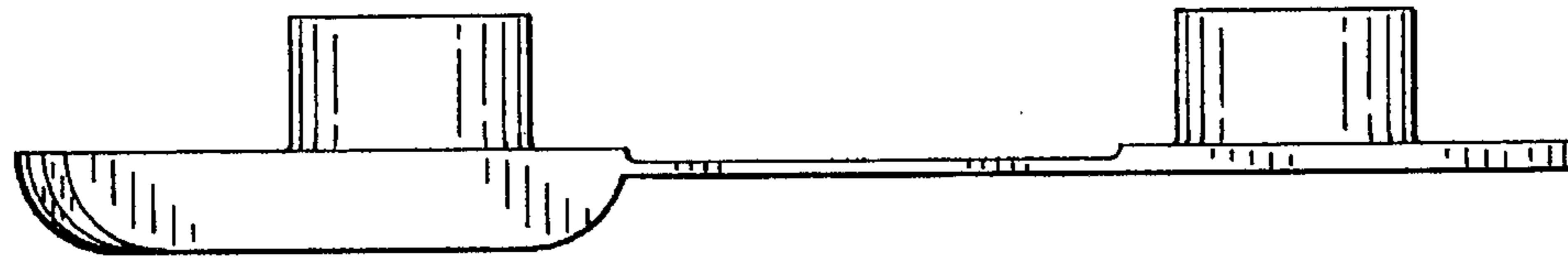


FIG. 2

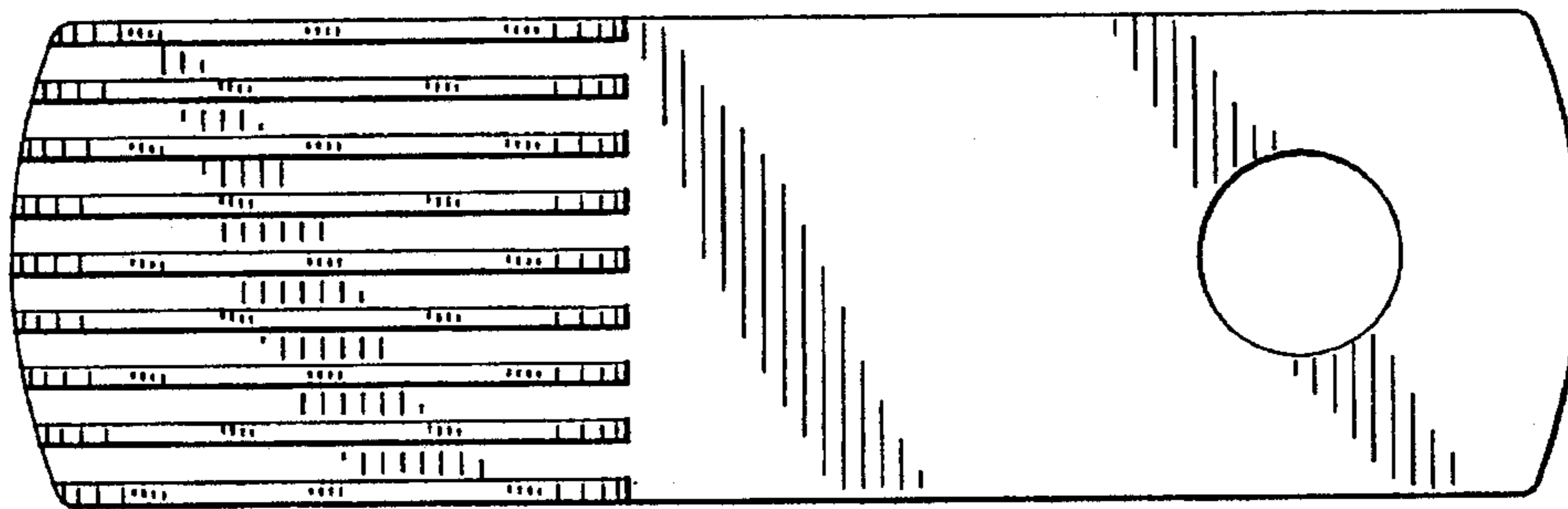


FIG. 3

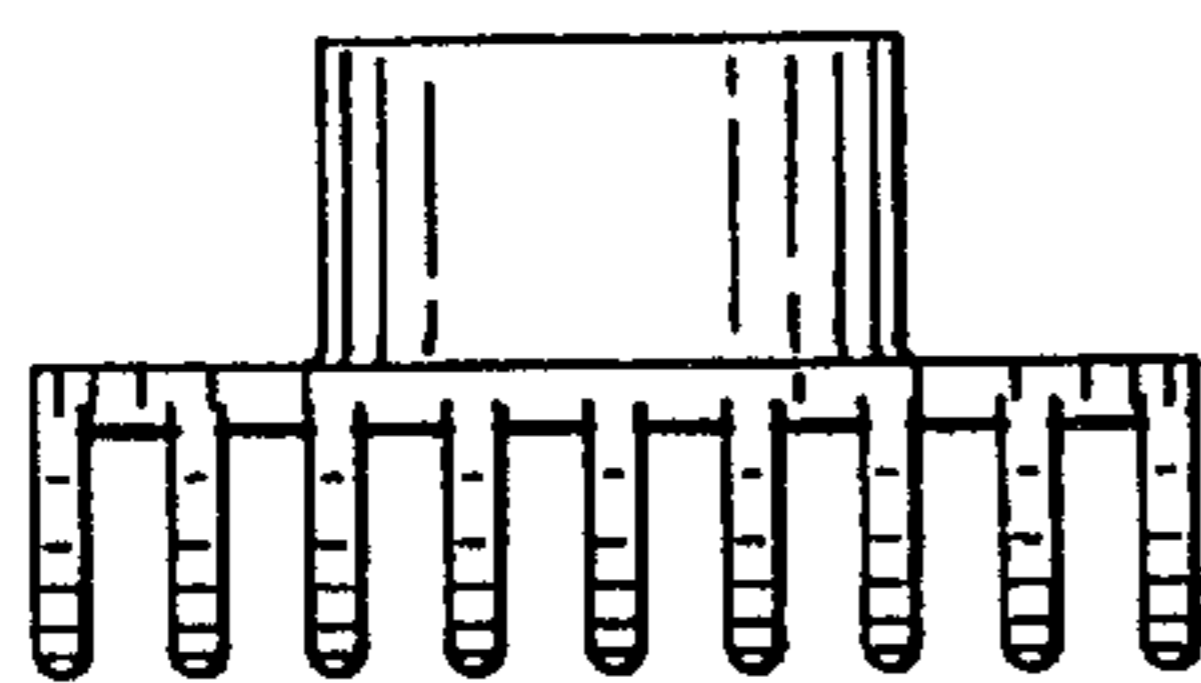


FIG. 4

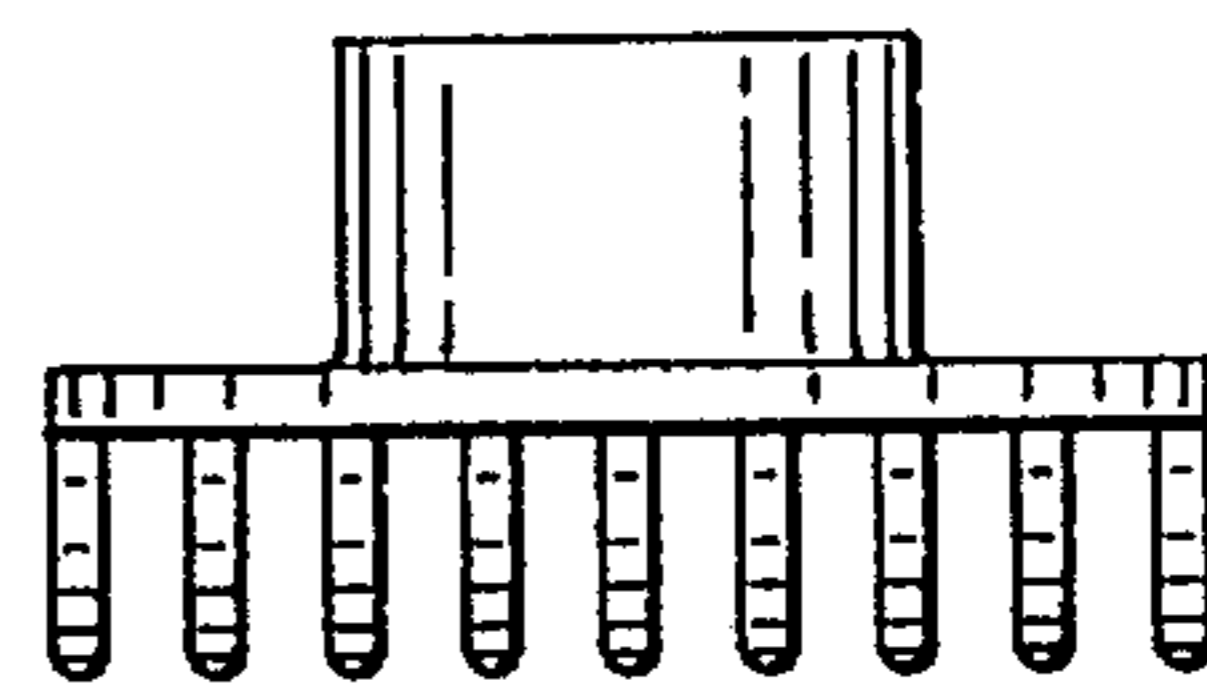


FIG. 5

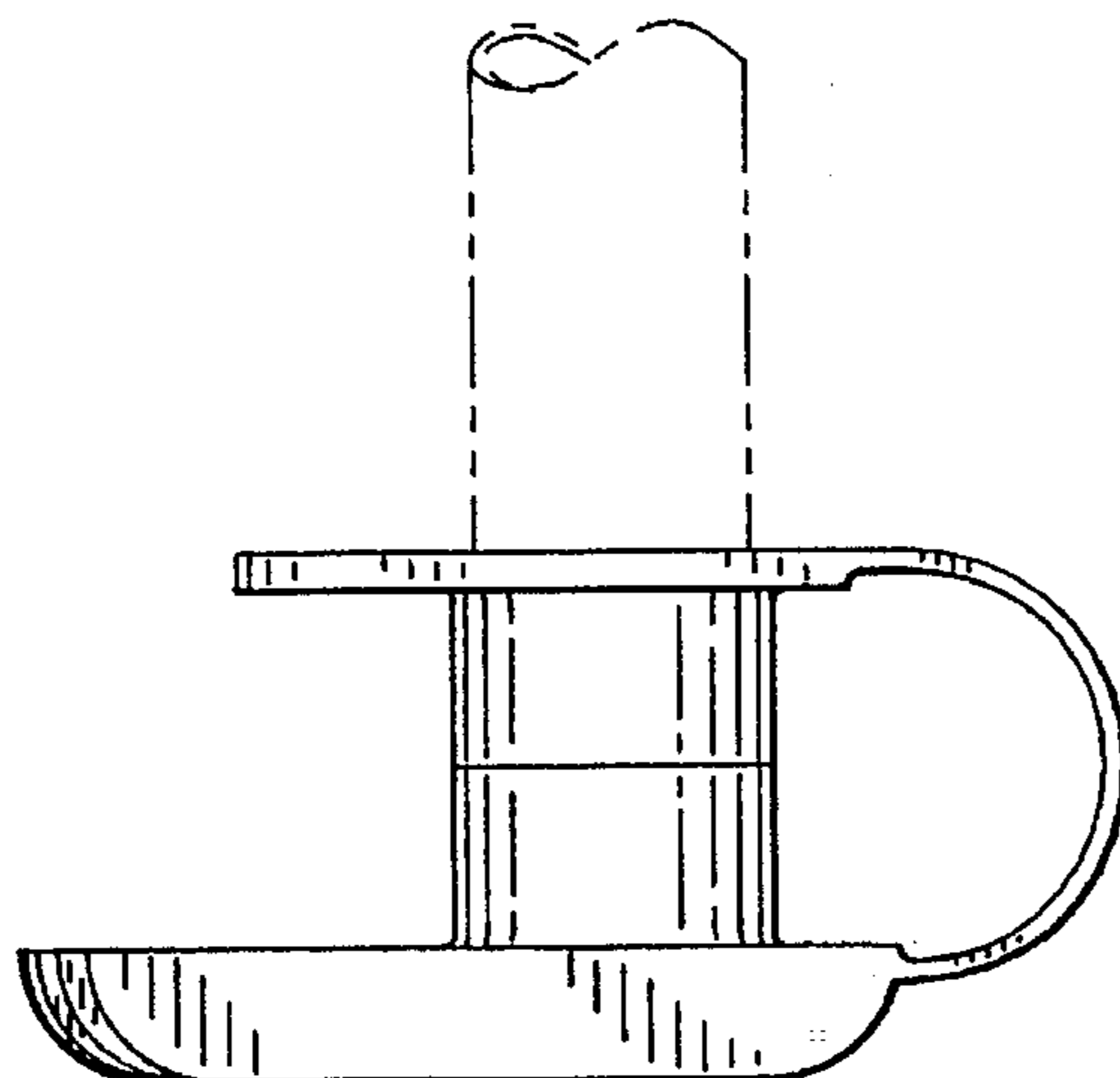


FIG. 6

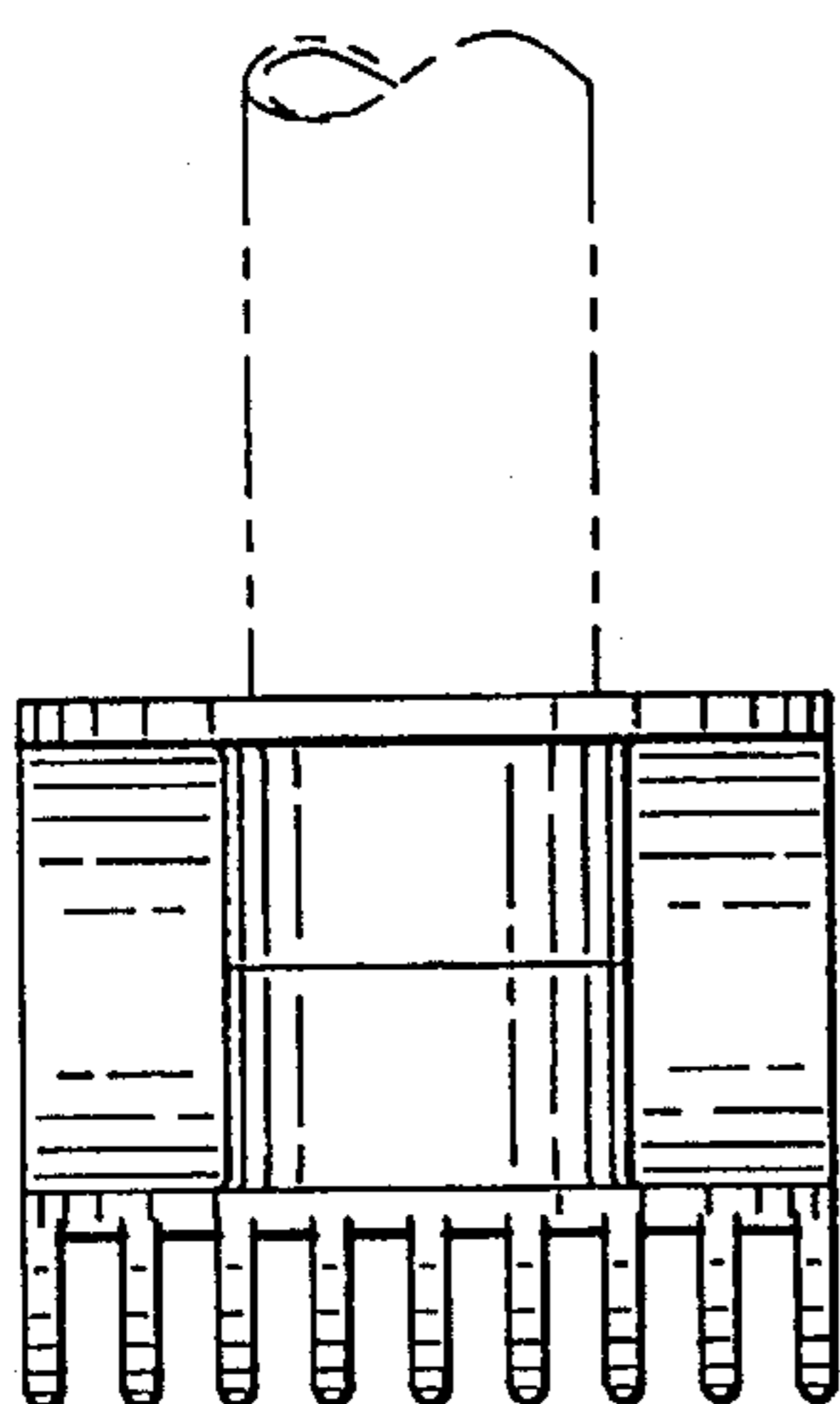


FIG. 7

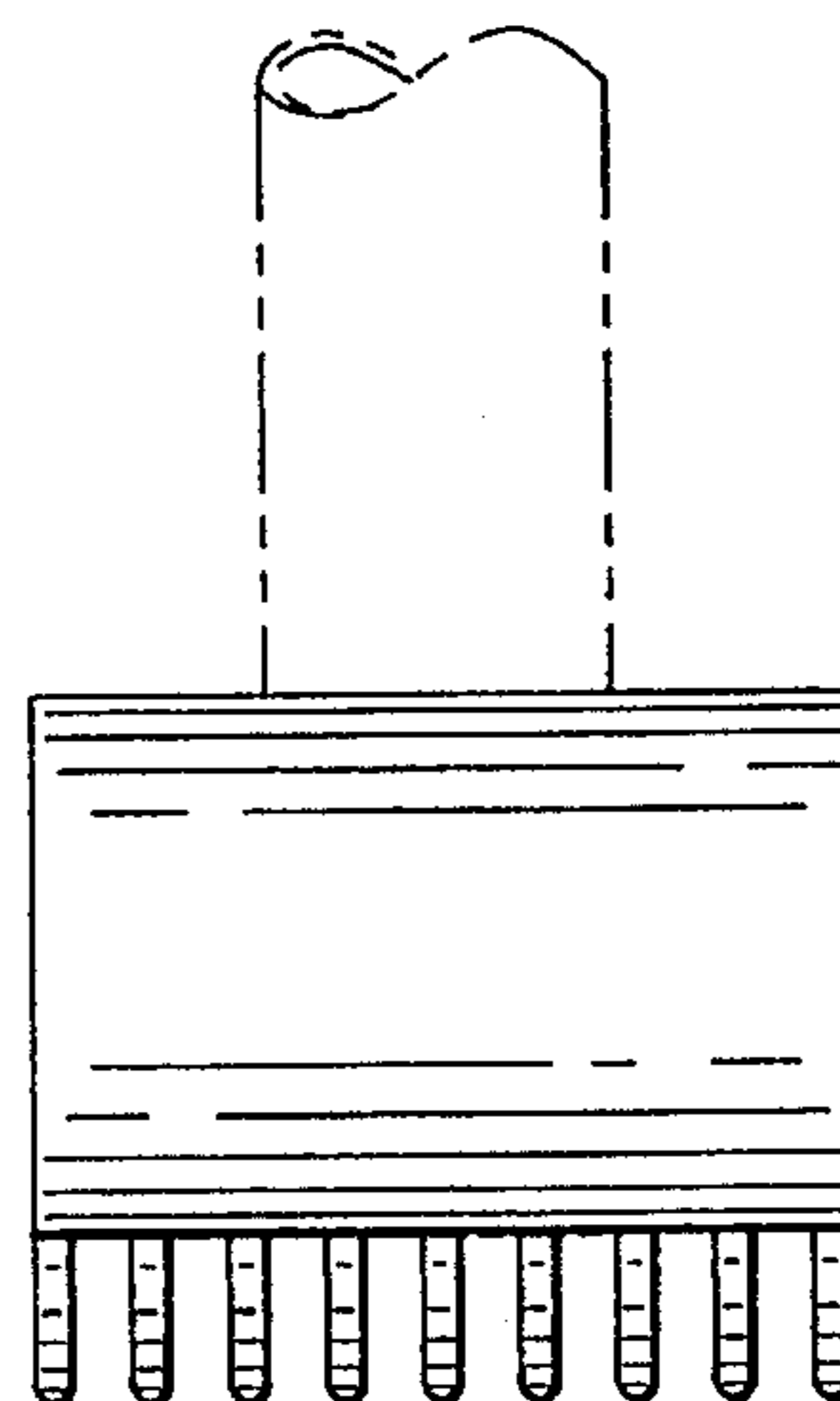


FIG. 8

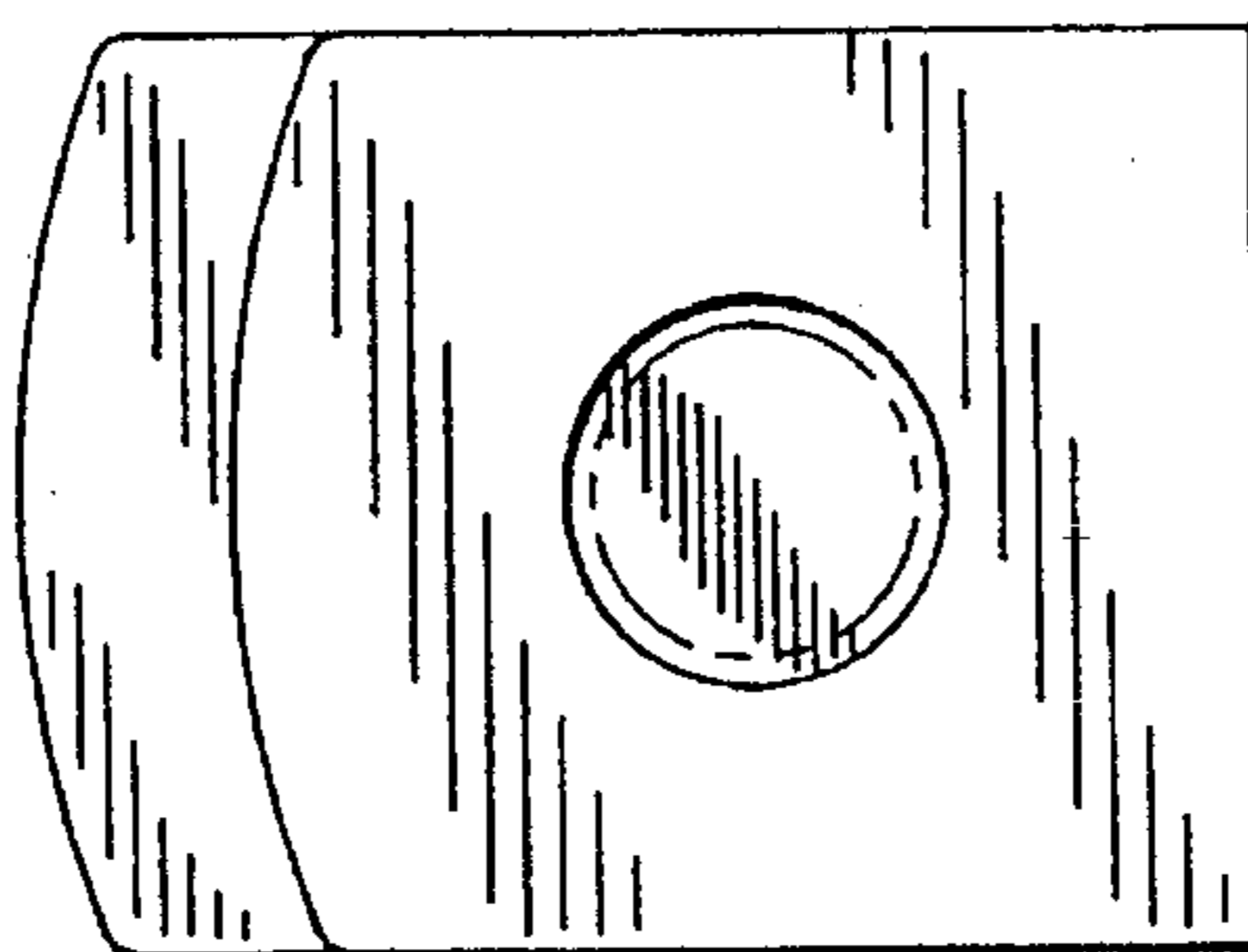


FIG. 9