



US00D375471S

United States Patent [19]

[11] Patent Number: **Des. 375,471**

Page, Jr. et al.

[45] Date of Patent: ****Nov. 12, 1996**

[54] SUPPORT BRACKET FOR BICYCLE ENGINE

[76] Inventors: **Garold Page, Jr.**, 362 Shady La., Orange City, Fla. 32763; **Herbert L. Harker, Jr.**, P.O. Box 195401, Winter Springs, Fla. 32719-5401

[**] Term: **14 Years**

[21] Appl. No.: **43,256**

[22] Filed: **Aug. 30, 1995**

[52] U.S. Cl. **D12/114**; D2/349; D12/223

[58] Field of Search D8/349, 354, 355; D12/223, 114; 180/219; 280/288.4, 304.3; 248/300, 200.1

[56] References Cited

U.S. PATENT DOCUMENTS

- D. 117,350 10/1939 Davis D8/367
- D. 188,292 6/1960 Olexiewicz D8/355
- D. 279,662 7/1985 Preisler et al. D12/114

OTHER PUBLICATIONS

J. C. Whitney Catalog, May 12, 1994, p. 196, motor mount circled at top of page.

Primary Examiner—Holly H. Baynham
Attorney, Agent, or Firm—William M. Hobby, III

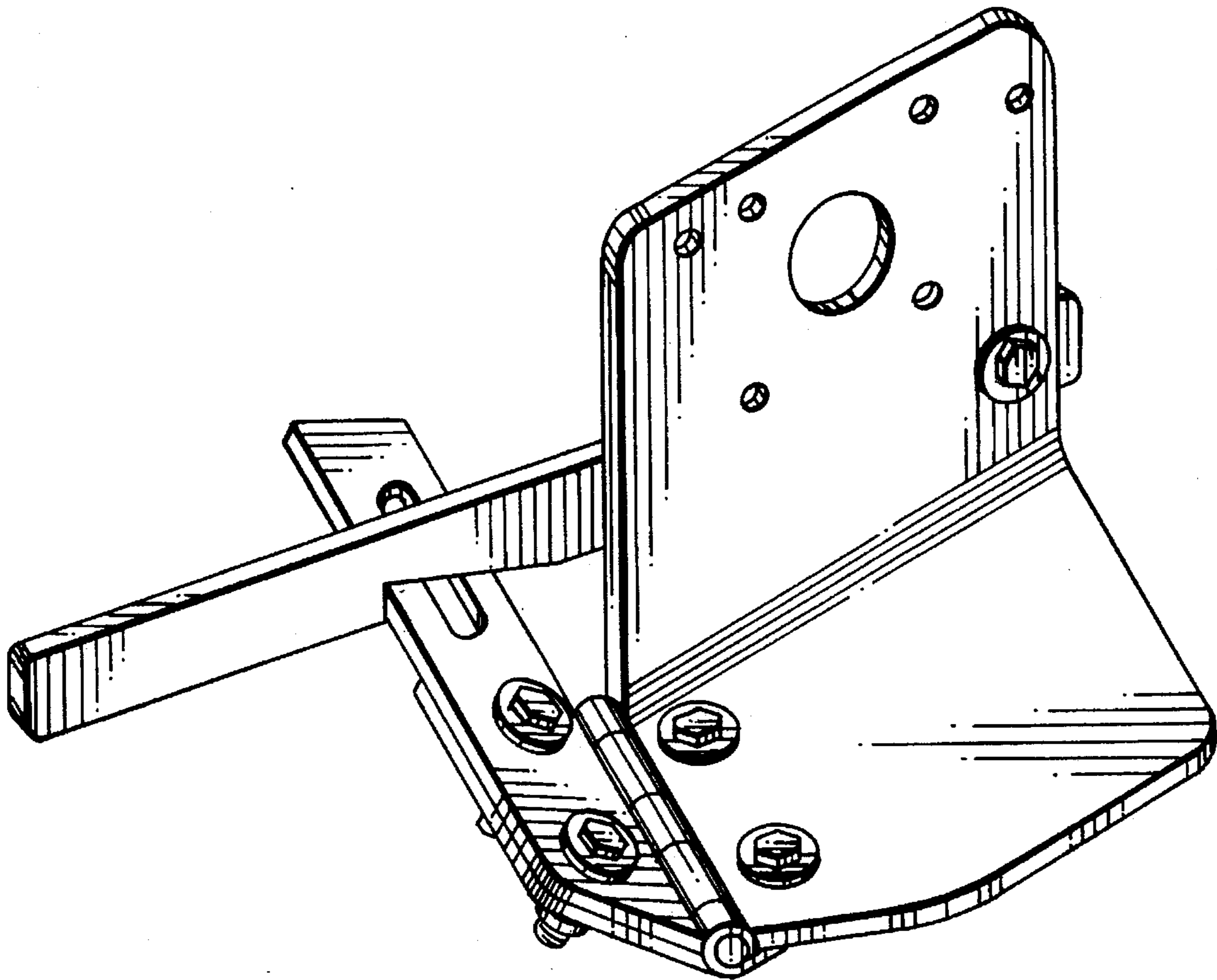
[57] CLAIM

The ornamental design for a support bracket for bicycle engine, as shown.

DESCRIPTION

FIG. 1 is a front elevation of my new support bracket for bicycle engine;
 FIG. 2 is a front, left side perspective view of our new support bracket for bicycle engine;
 FIG. 3 is a rear elevation;
 FIG. 4 is a bottom plan view;
 FIG. 5 is a top plan view;
 FIG. 6 is a right side elevation; and,
 FIG. 7 is a left side elevation.

1 Claim, 1 Drawing Sheet



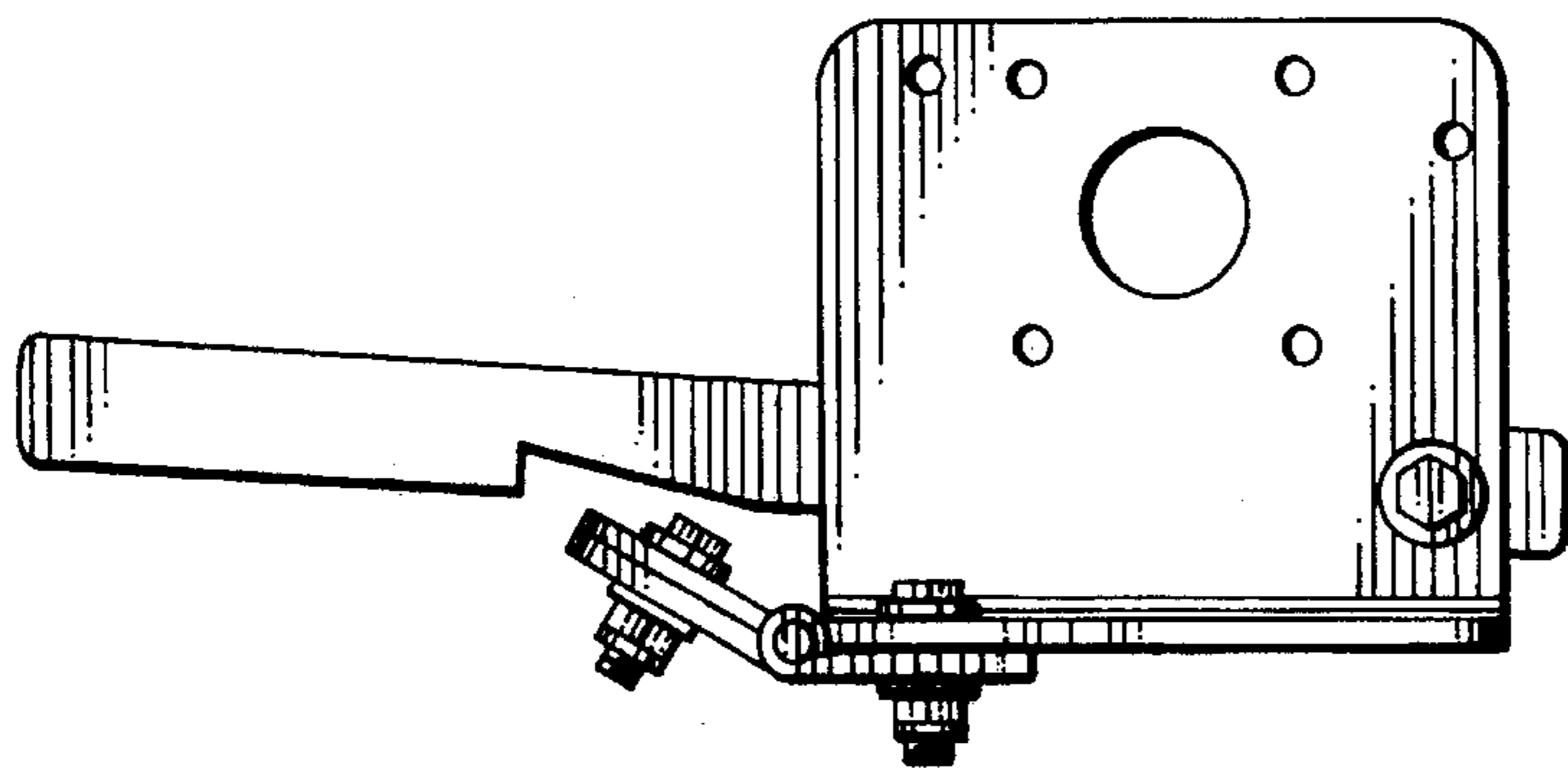


FIG. 1

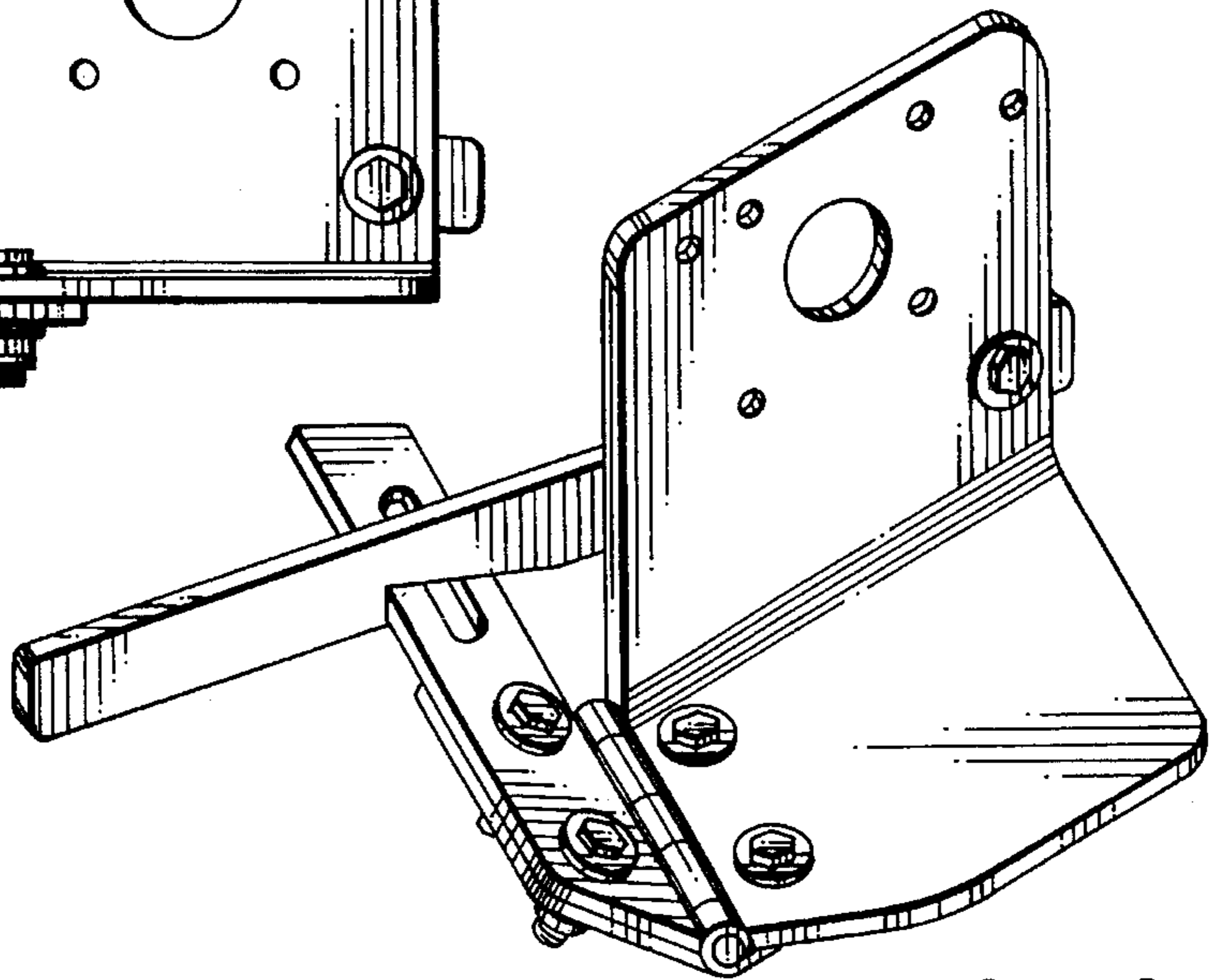


FIG. 2

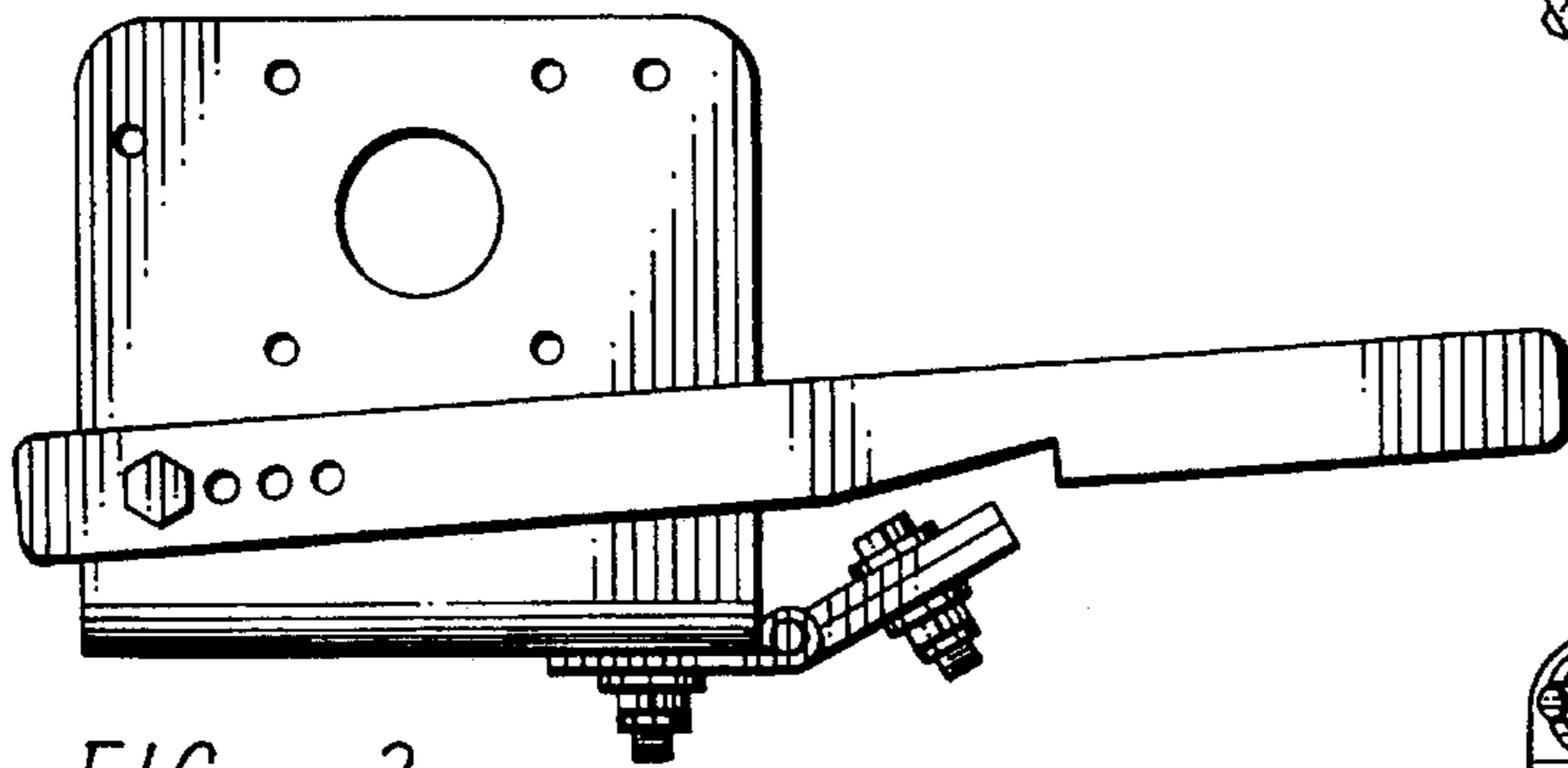


FIG. 3

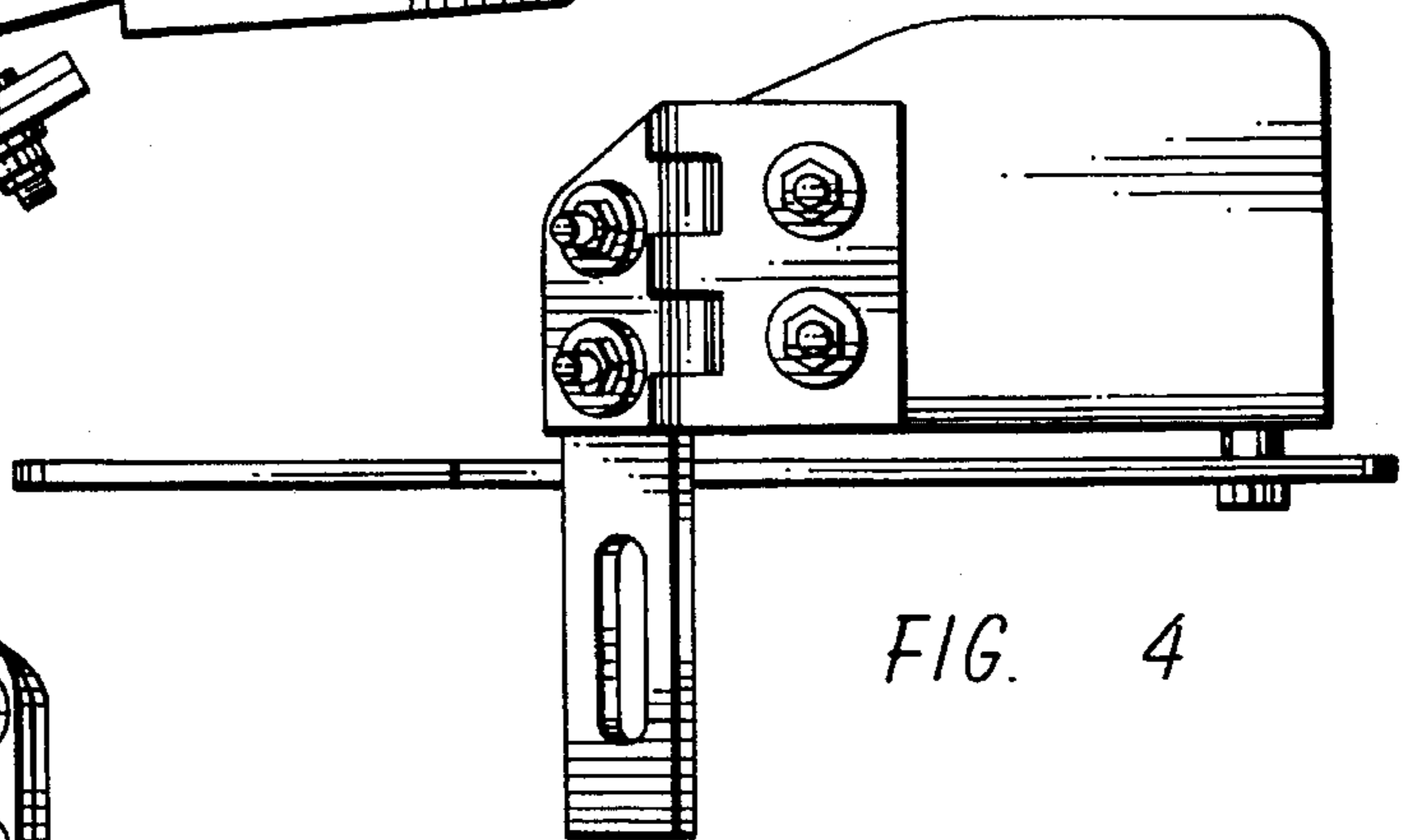


FIG. 4

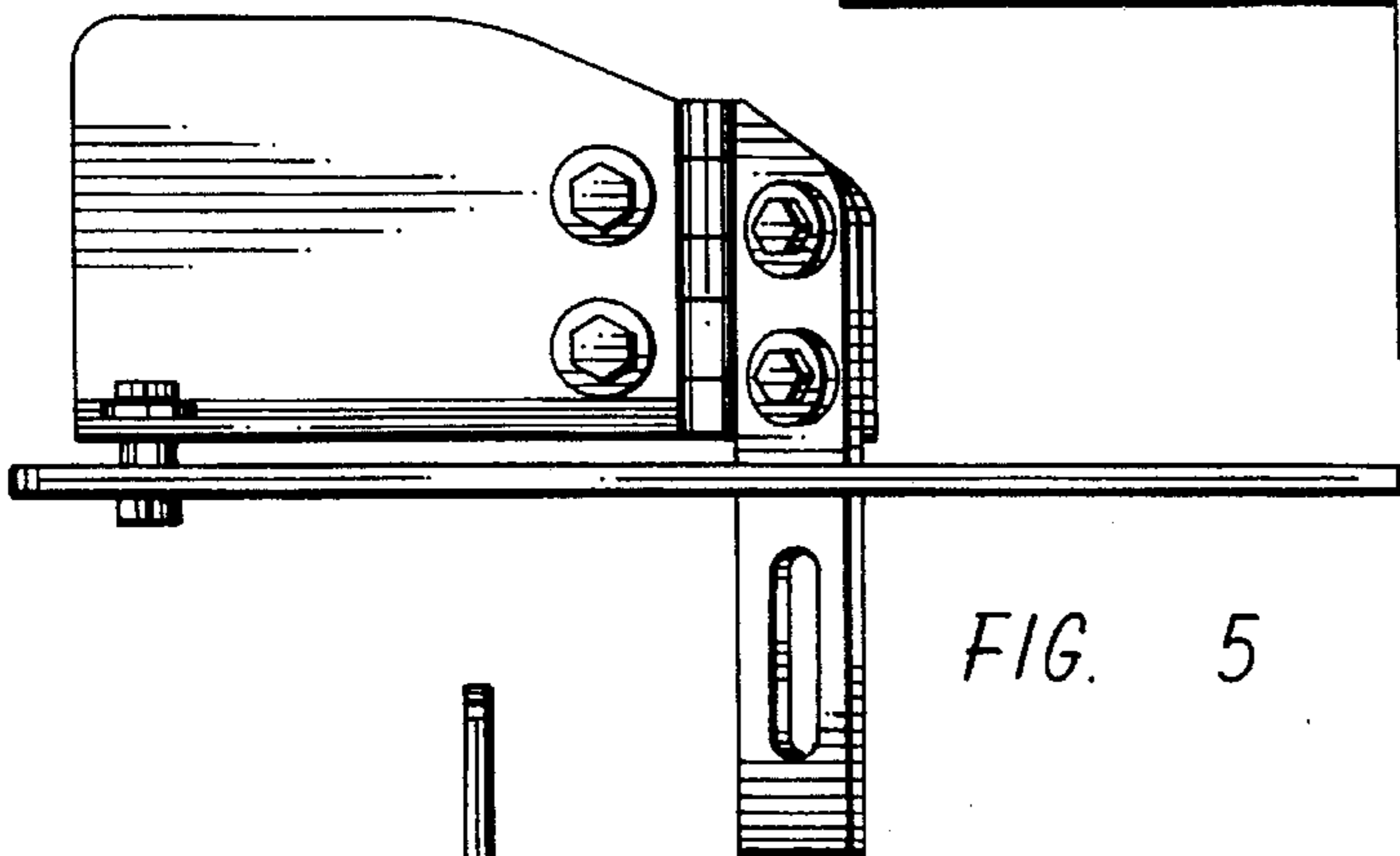


FIG. 5

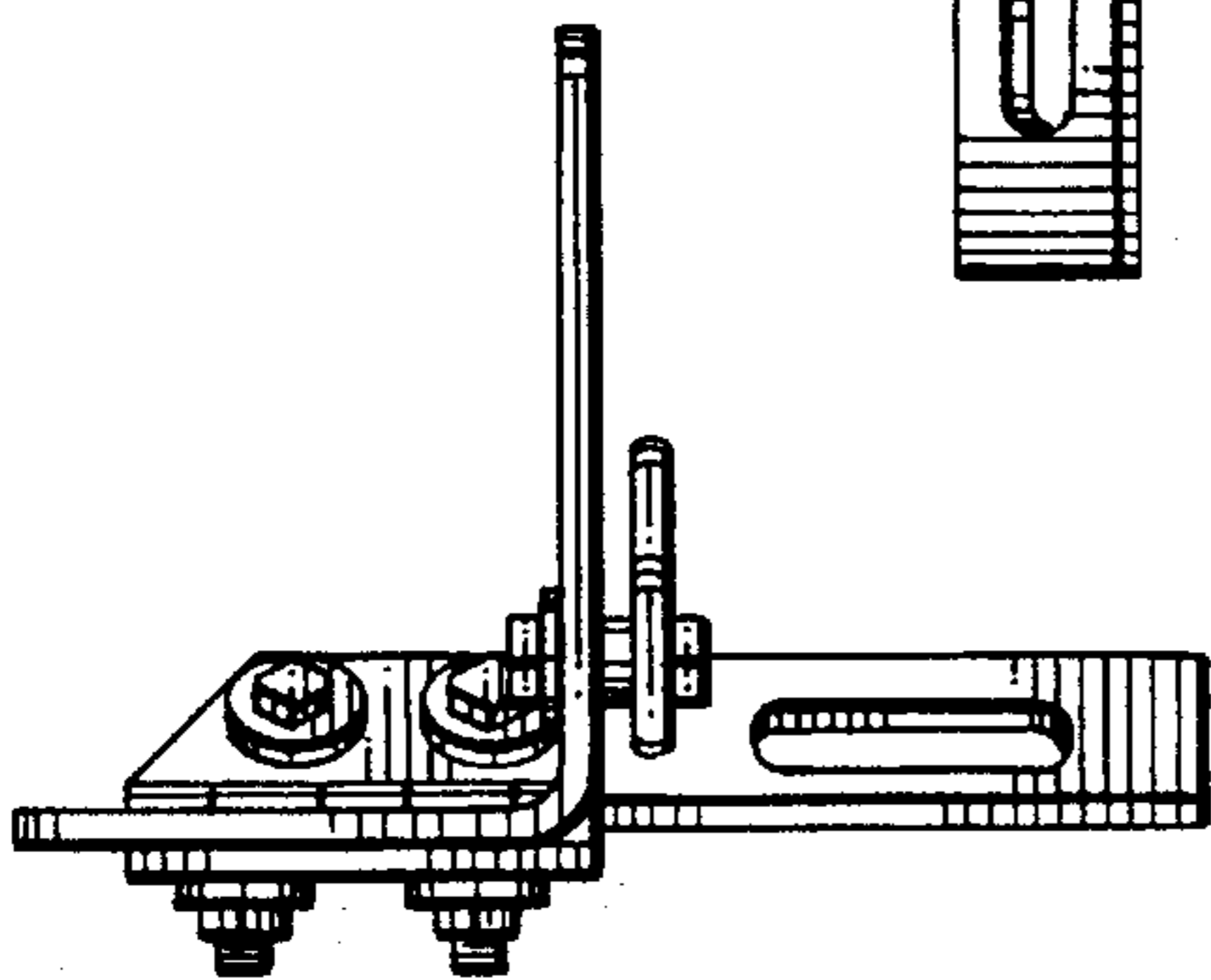


FIG. 6

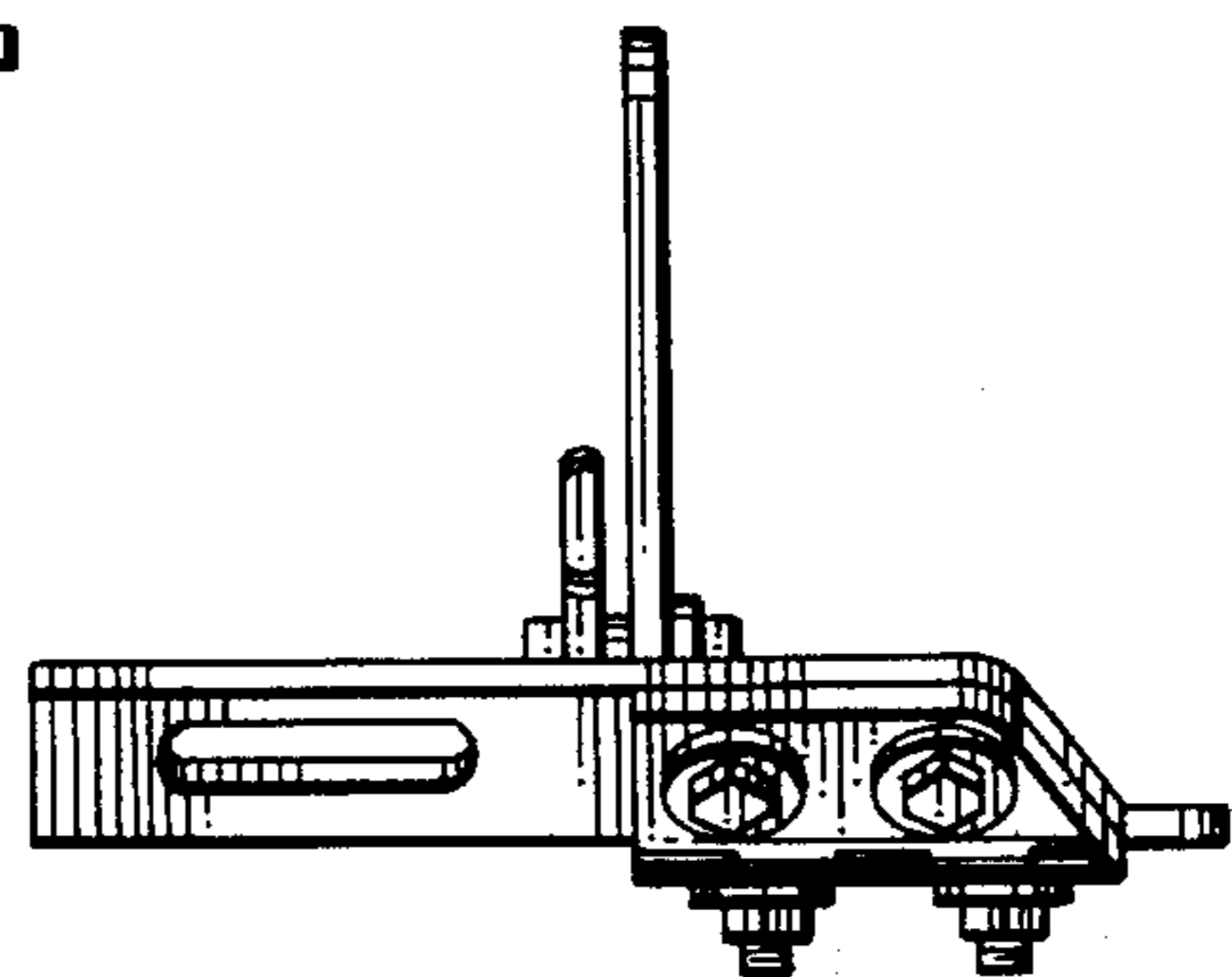


FIG. 7