



US00D375464S

United States Patent [19]

[11] Patent Number: **Des. 375,464**

Hoshino

[45] Date of Patent: ***** Nov. 12, 1996**

[54] **ELECTRONIC THEODOLITE FOR DISTANCE MEASURING**

D. 333,276 2/1993 Donn D10/66
4,752,126 6/1988 Fujii 356/140

[75] Inventor: **Yukitaka Hoshino**, Tokyo, Japan

Primary Examiner—Antoine Duval Davis
Attorney, Agent, or Firm—Bacon & Thomas

[73] Assignee: **Sokkia Co., Ltd.**, Tokyo, Japan

[57] CLAIM

[*] Notice: The portion of the term of this patent subsequent to Feb. 20, 2010, has been disclaimed.

The ornamental design for an electronic theodolite for distance measuring, as shown.

[**] Term: **14 Years**

DESCRIPTION

[21] Appl. No.: **37,728**

FIG. 1 is a front and right side perspective view of an electronic theodolite for distance measuring, showing my new design;

[22] Filed: **Apr. 19, 1995**

FIG. 2 is a front elevational view thereof;

[30] Foreign Application Priority Data

FIG. 3 is a rear side elevational view thereof;

Oct. 21, 1994 [JP] Japan 6-31739

FIG. 4 is a left side elevational view thereof;

[52] U.S. Cl. **D10/66**

FIG. 5 is a right side elevational view thereof;

[58] Field of Search D10/66; 33/290-299;
356/138-155

FIG. 6 is a top plan view thereof; and,

FIG. 7 is a bottom plan view thereof.

The telescope being shown in an alternate position in FIG. 1.

[56] References Cited

U.S. PATENT DOCUMENTS

D. 257,961 1/1981 Kooi D10/66

1 Claim, 6 Drawing Sheets

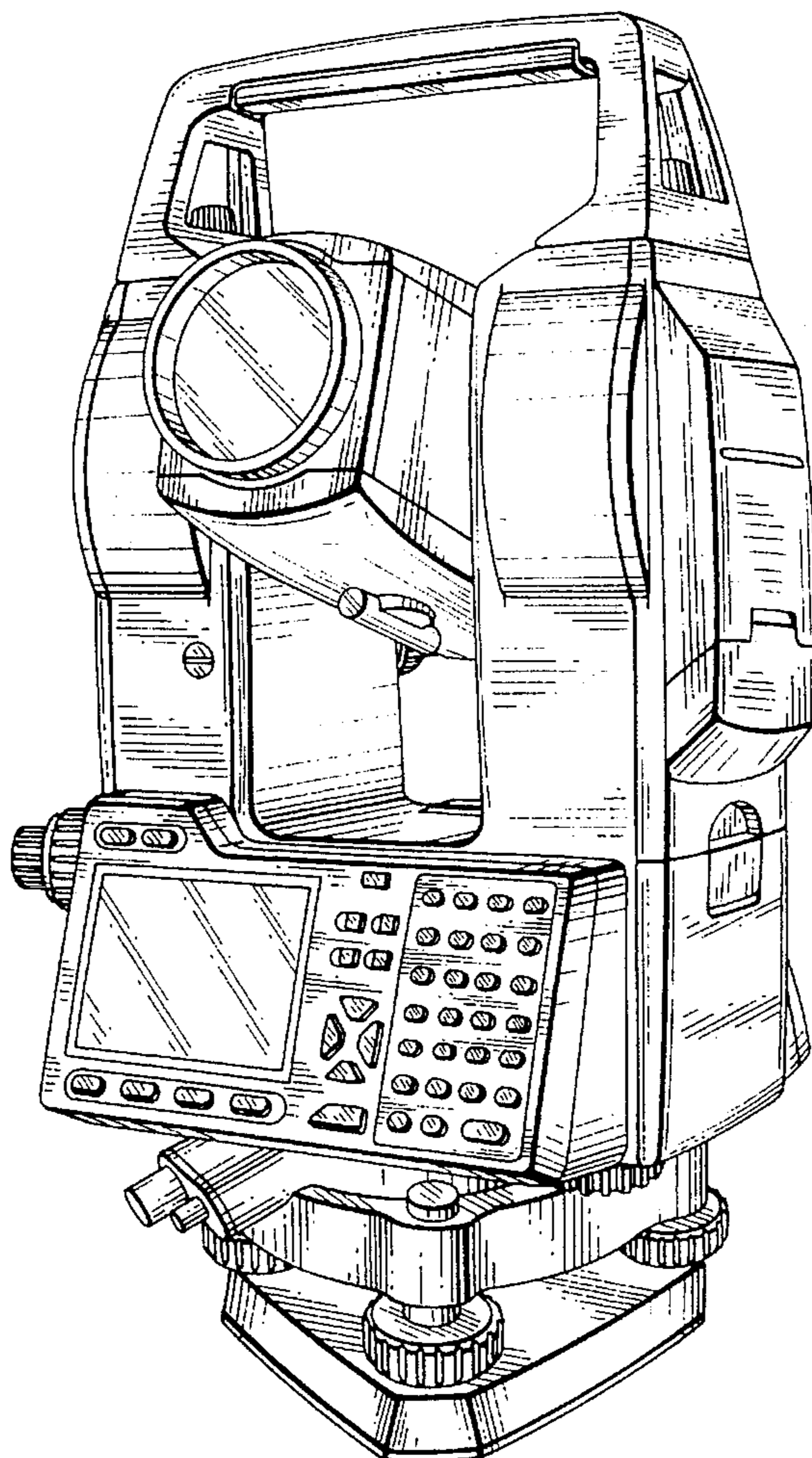


FIG. 1

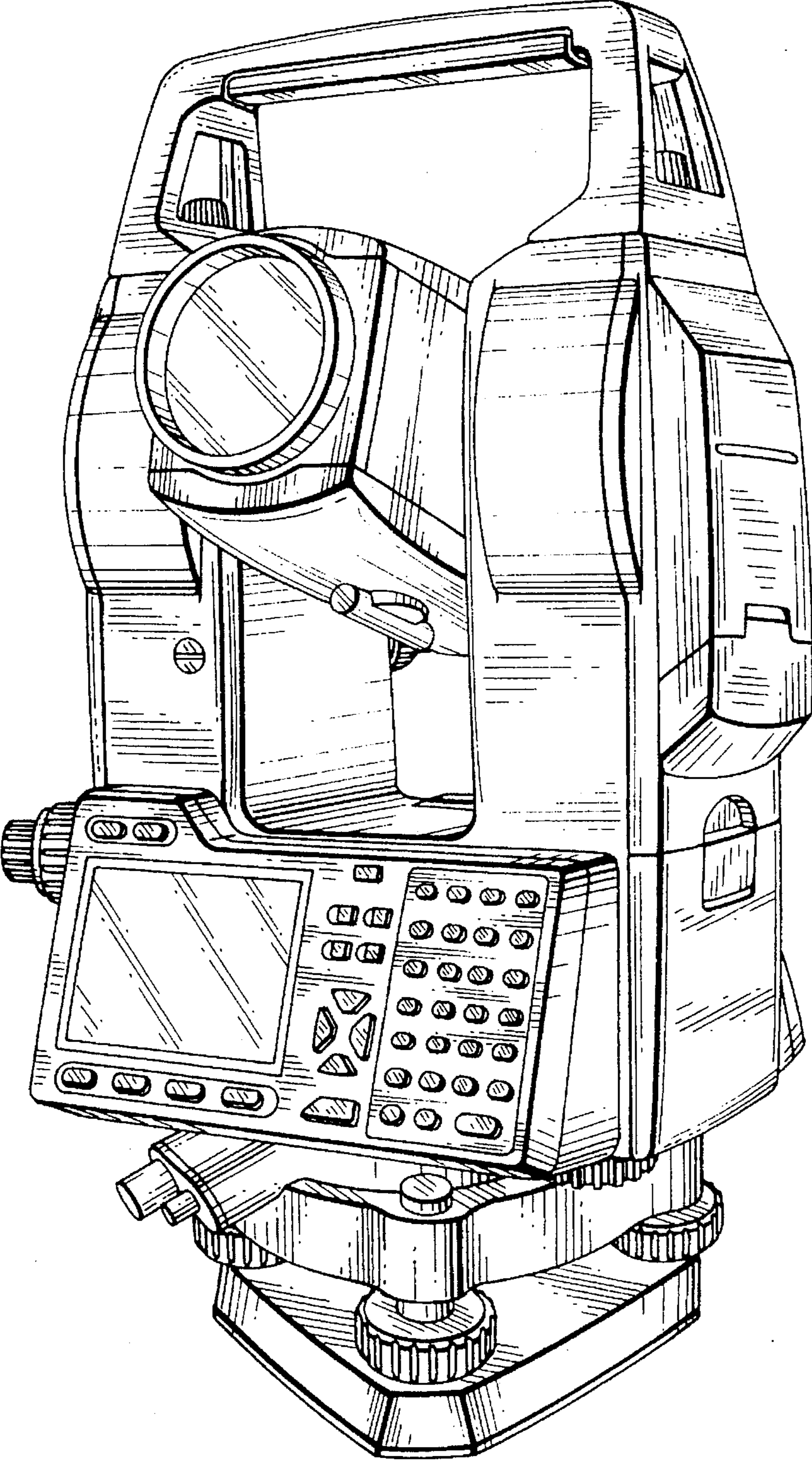


FIG. 2

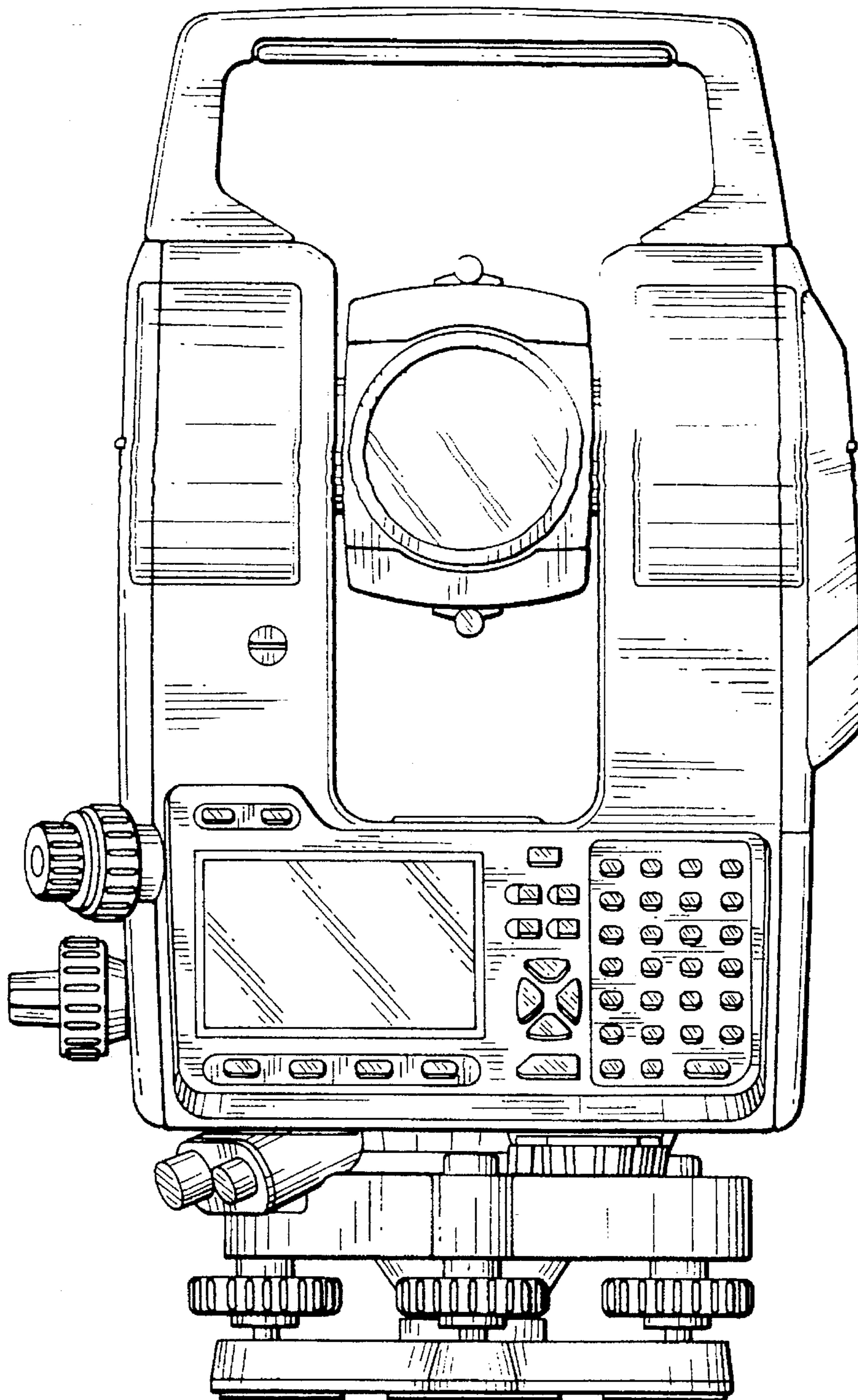


FIG. 3

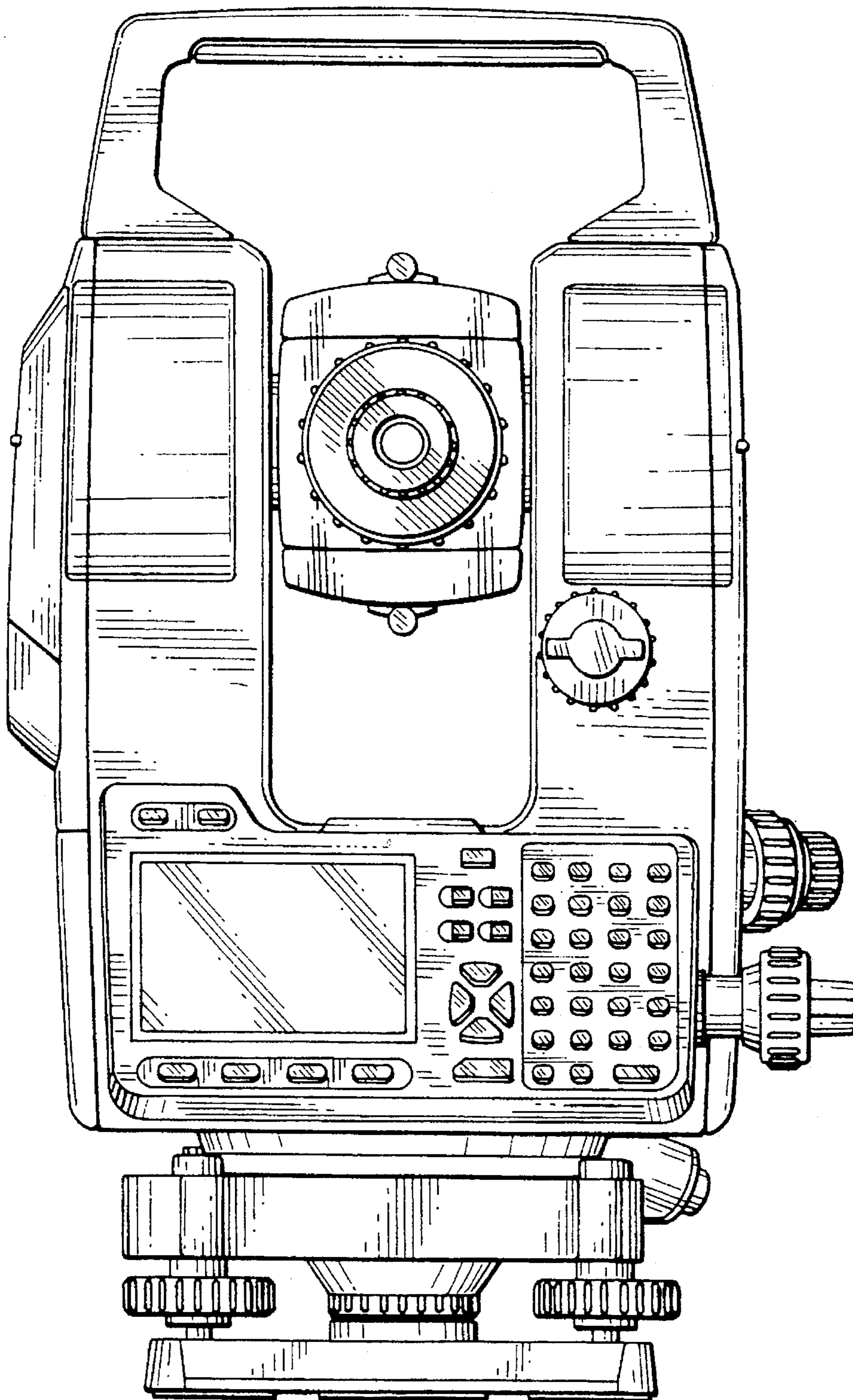


FIG. 4

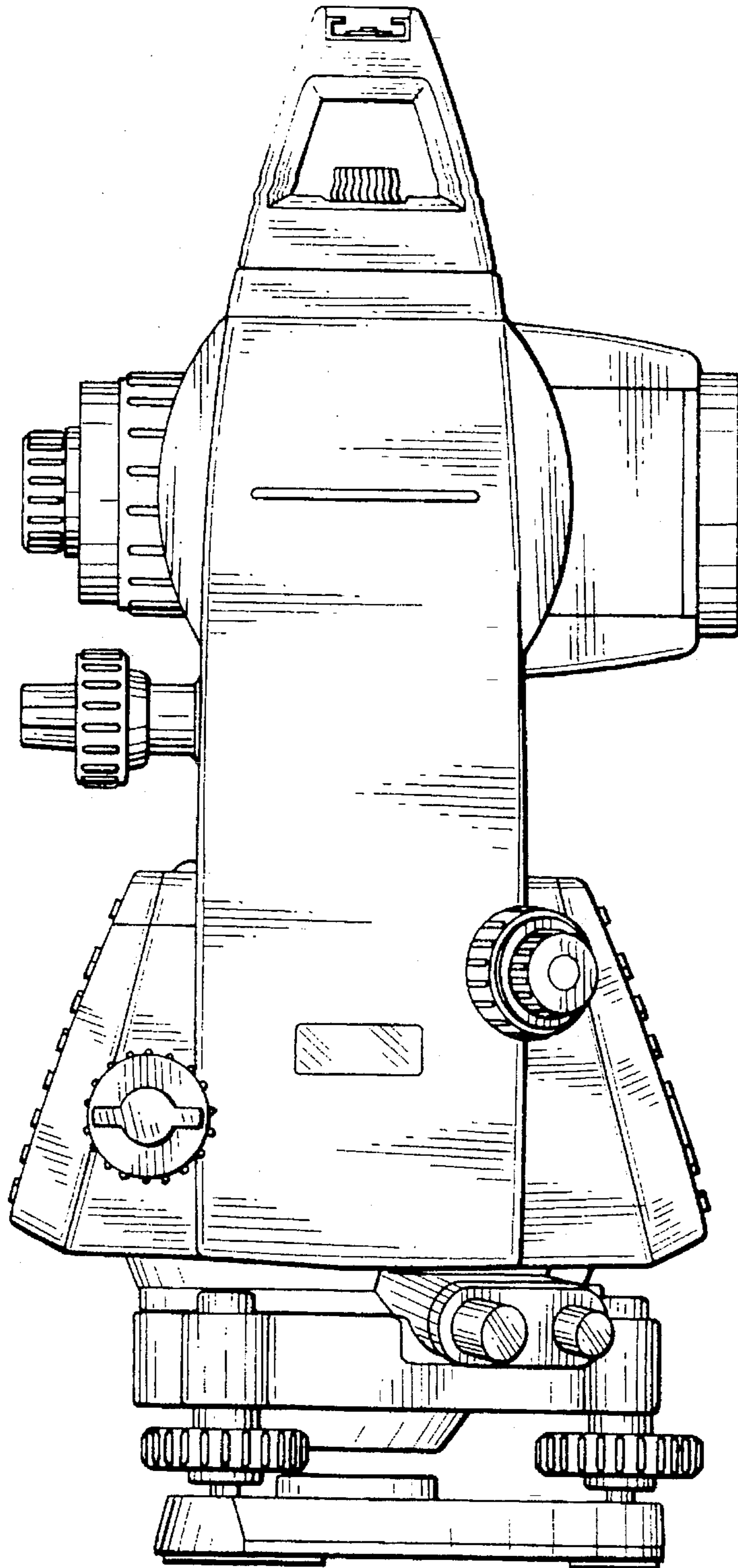


FIG. 5

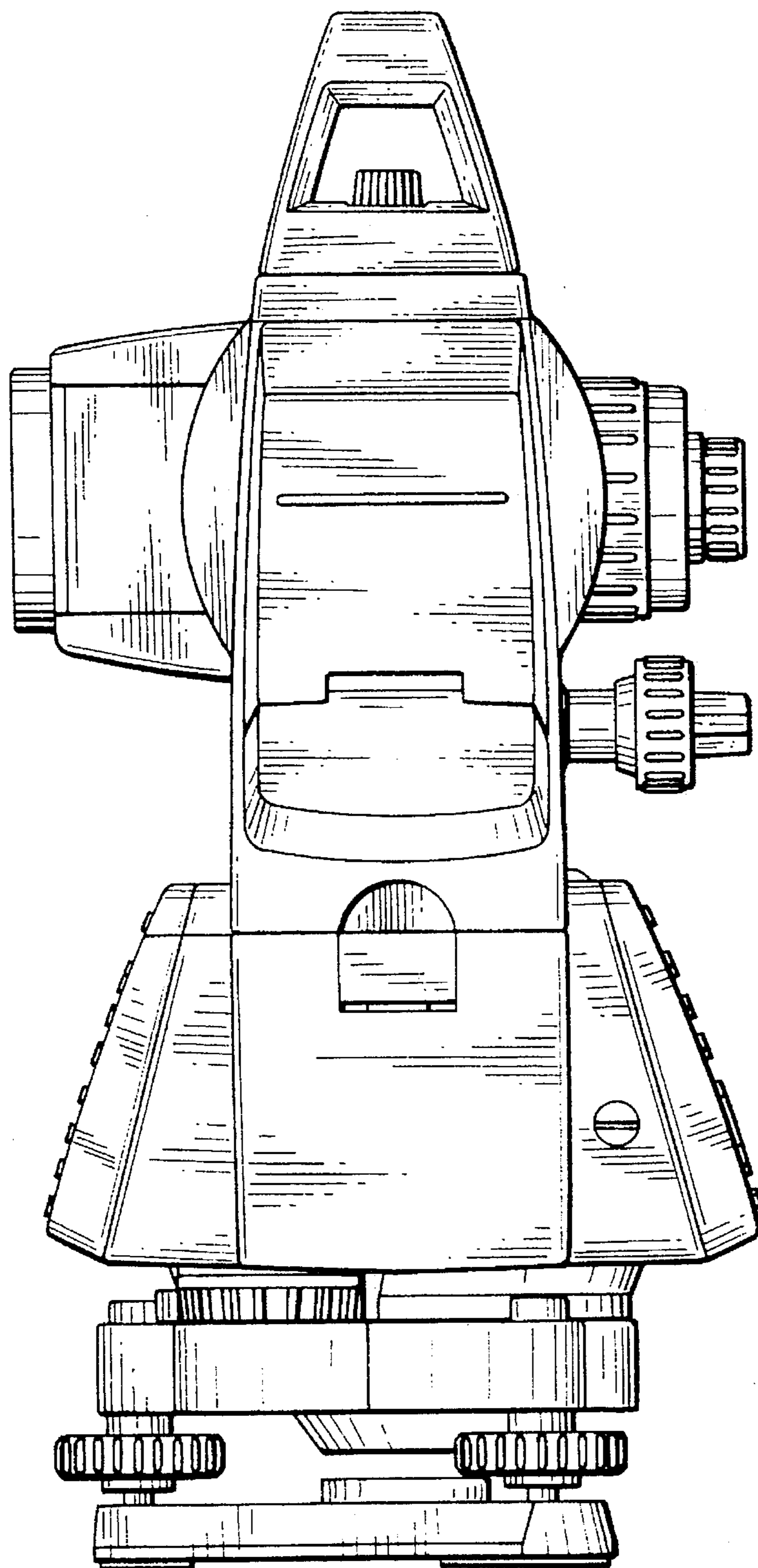


FIG.6

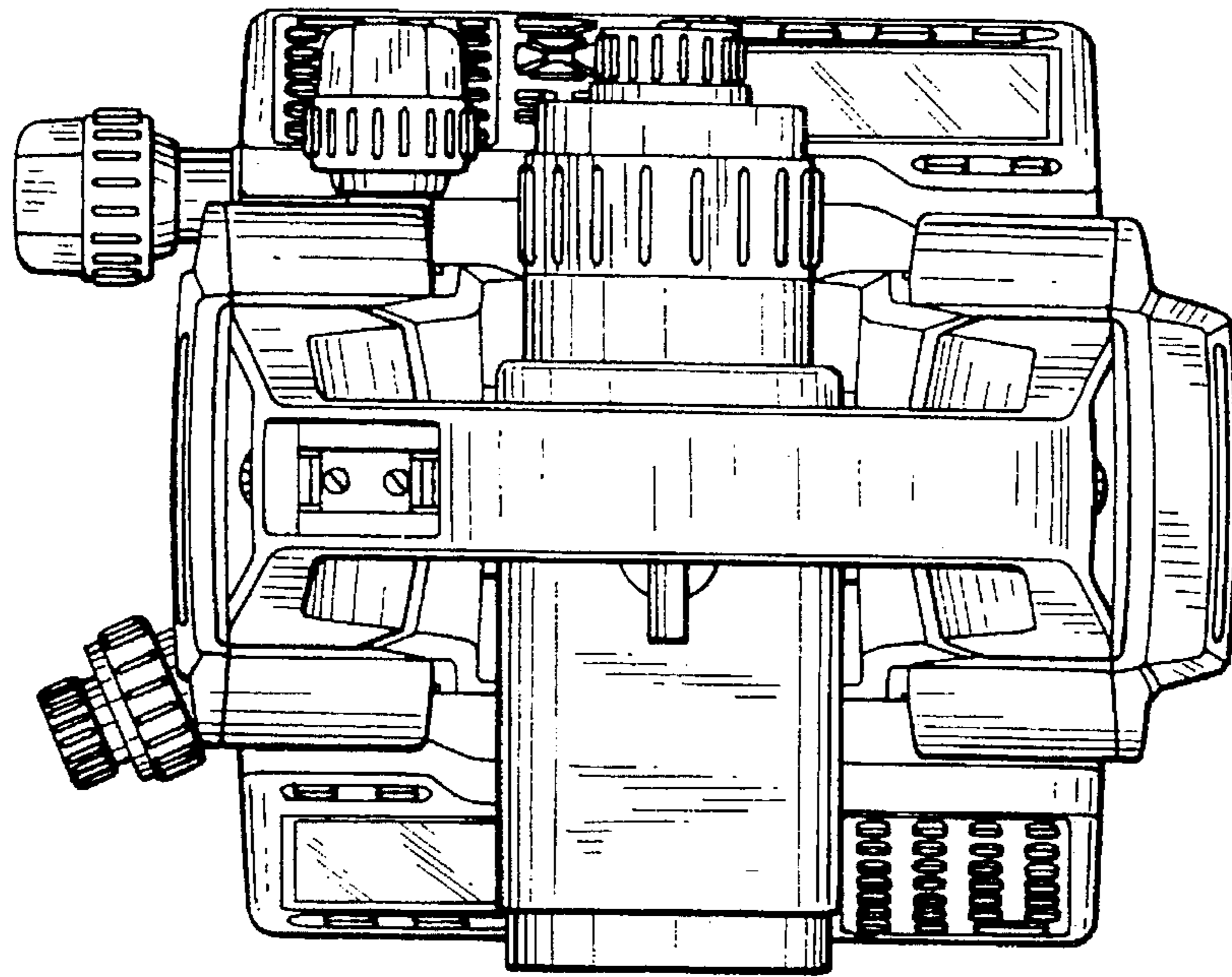


FIG.7

