



US00D375463S

United States Patent [19]
Bohannan

[11] **Patent Number: Des. 375,463**
[45] **Date of Patent: **Nov. 12, 1996**

- [54] **SUPERHORN**
- [75] Inventor: **Jerry L. Bohannan**, Albuquerque, N.M.
- [73] Assignee: **Motorola, Inc.**, Schaumburg, Ill.
- [**] Term: **14 Years**
- [21] Appl. No.: **48,521**
- [22] Filed: **Jan. 2, 1996**
- [52] U.S. Cl. **D10/120; D14/204; D14/208**
- [58] **Field of Search** D10/120, 104, D10/116, 117, 118, 119; D14/204, 208; 116/103, 112, 137 R, 147, 142 R, 149, 151; 340/388.1, 384.1; 181/144, 148, 150, 157, 159, 199; 381/156

D. 46,917	2/1915	Sparks	D10/120
D. 182,351	3/1958	Avedon	D14/204
D. 235,747	7/1975	Sweany	D10/120
D. 264,841	6/1982	Pickrel	D14/204
D. 279,965	8/1985	Mikami	D10/120
1,052,416	2/1913	Hutchison	D10/120
4,071,112	1/1978	Keele, Jr.	181/159

Primary Examiner—Marcus A. Jackson
Attorney, Agent, or Firm—Gary J. Cunningham

[57] **CLAIM**

The ornamental design for a "superhorn", as shown and described.

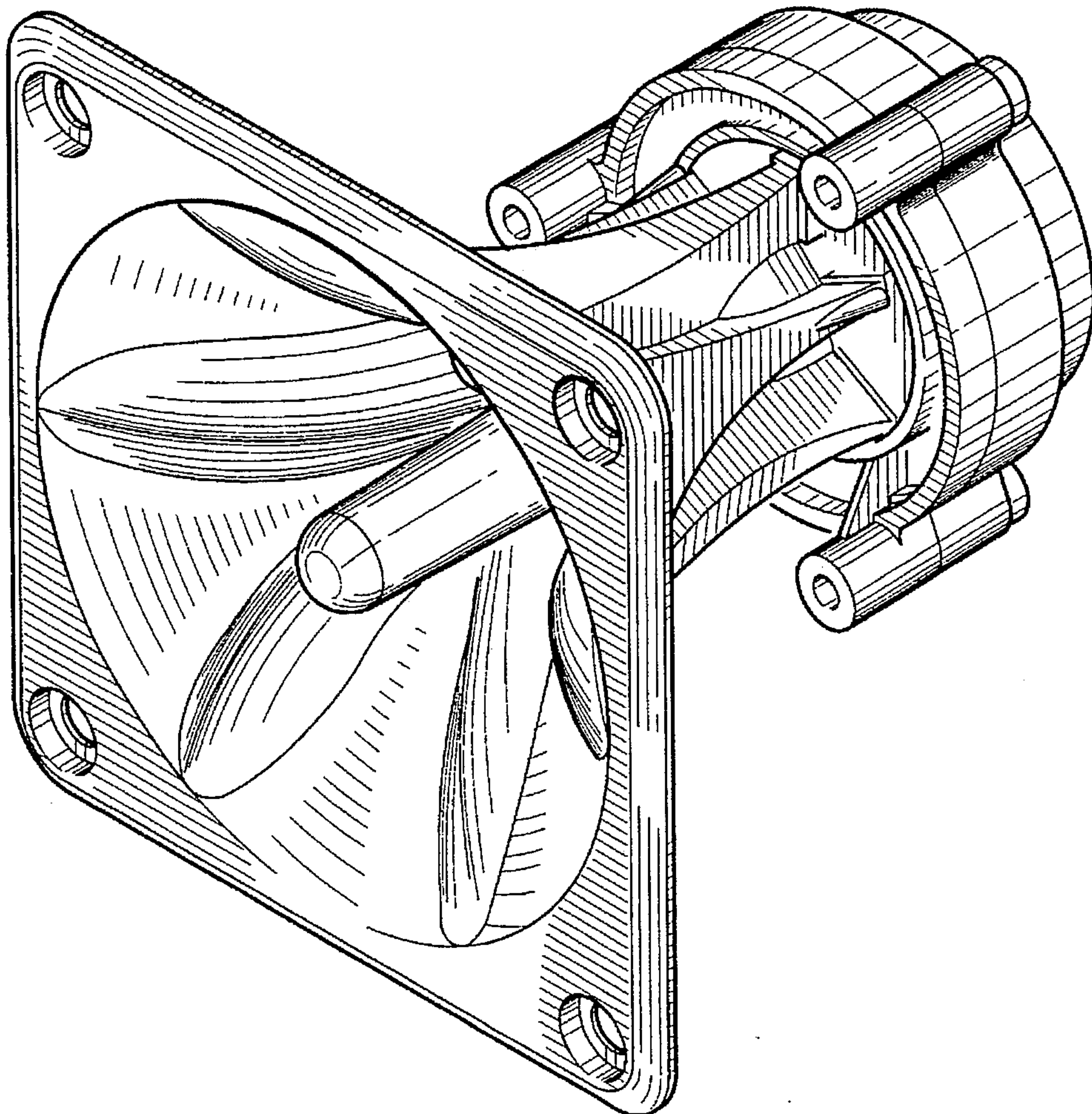
DESCRIPTION

FIG. 1 is a perspective view of said "superhorn" showing my new design;
FIG. 2 is a rear elevational view thereof;
FIG. 3 is a left side elevational view thereof, with the opposite side being a mirror image; and,
FIG. 4 is a bottom plan view thereof, with the opposite side being a mirror image.

[56] **References Cited**
U.S. PATENT DOCUMENTS

D. 42,971	9/1912	Manson	D10/120
D. 44,591	8/1913	Scognamillo	D10/120
D. 45,344	3/1914	Manson	D10/120

1 Claim, 2 Drawing Sheets



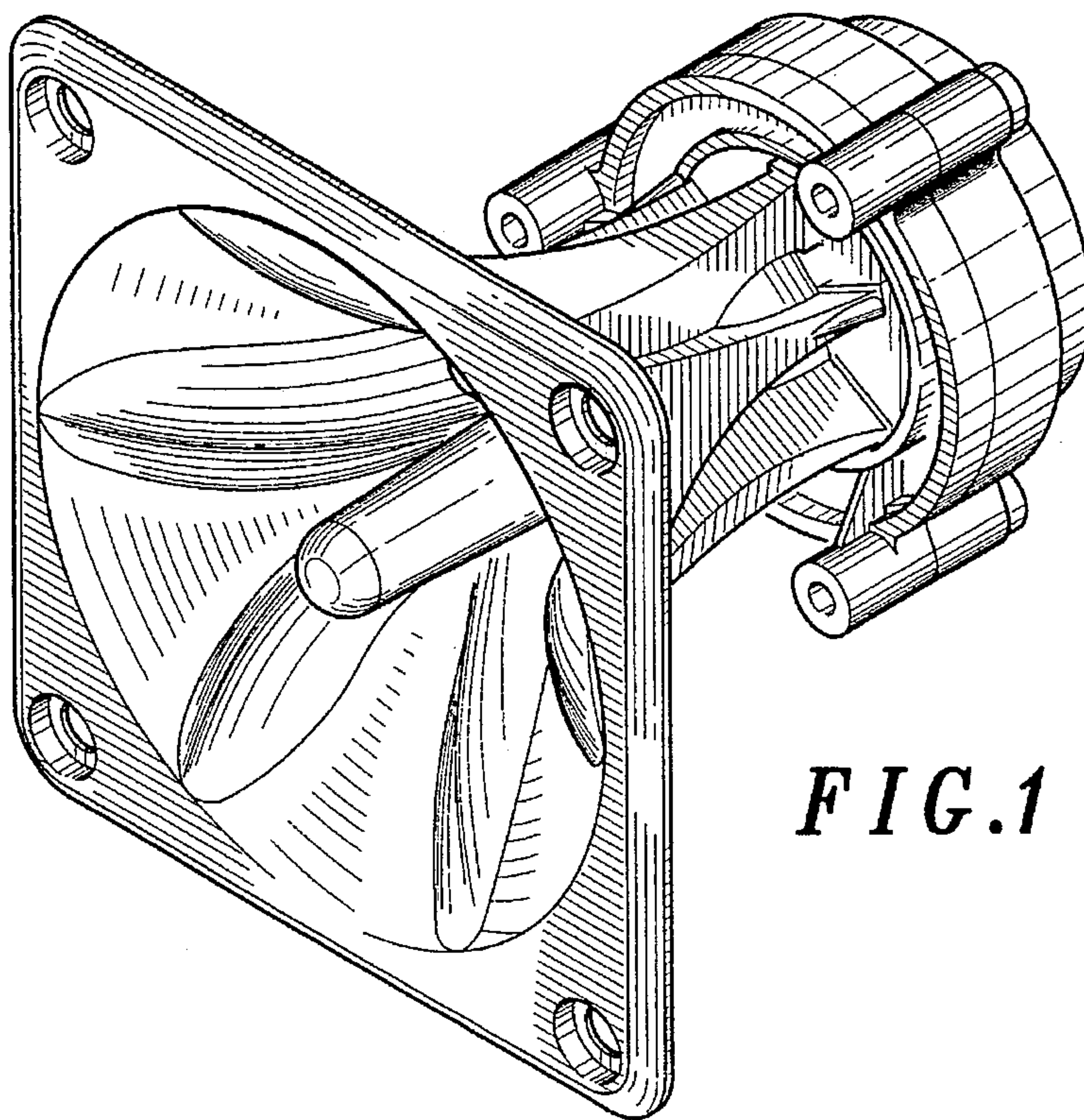


FIG. 1

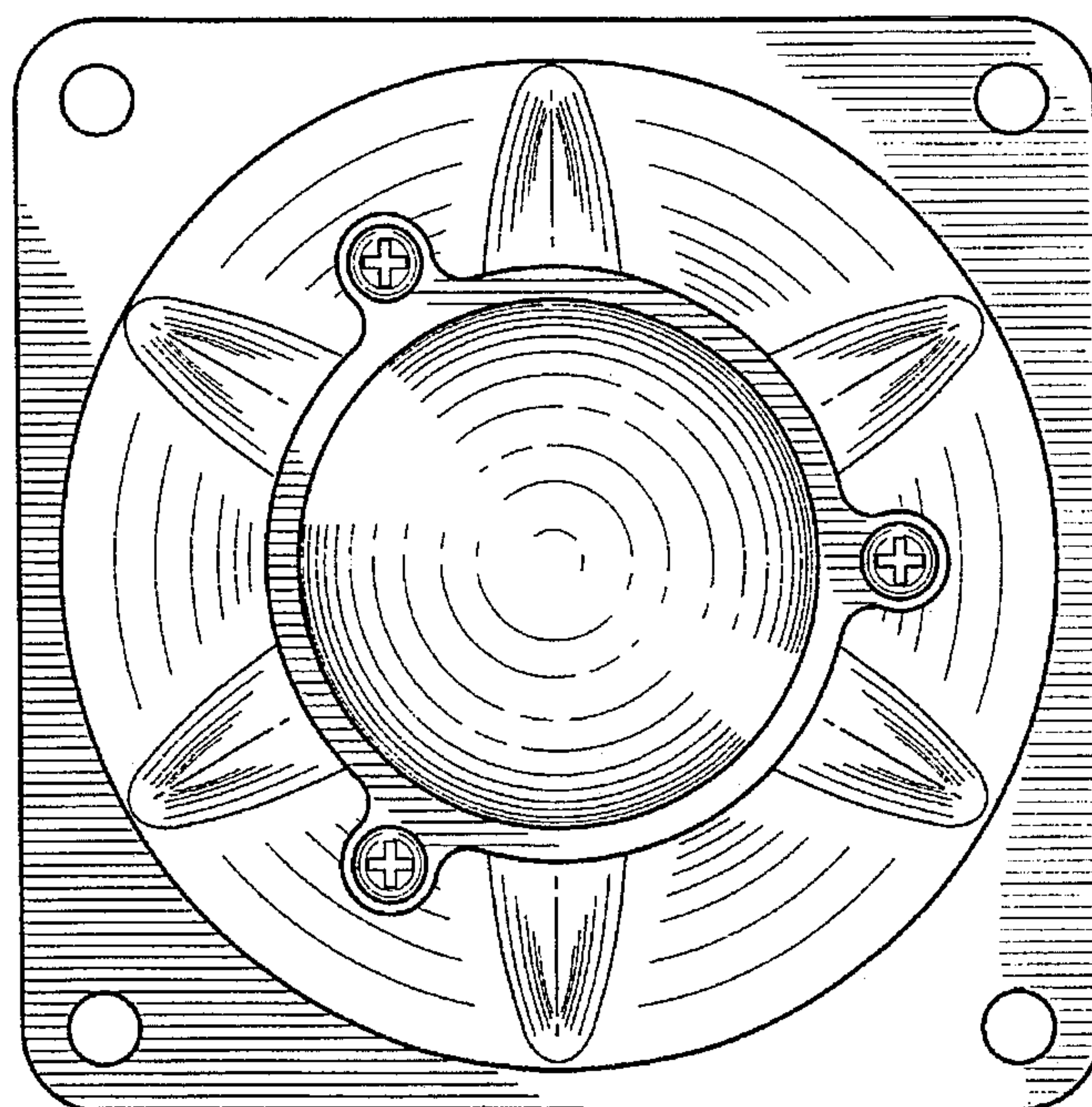


FIG. 2

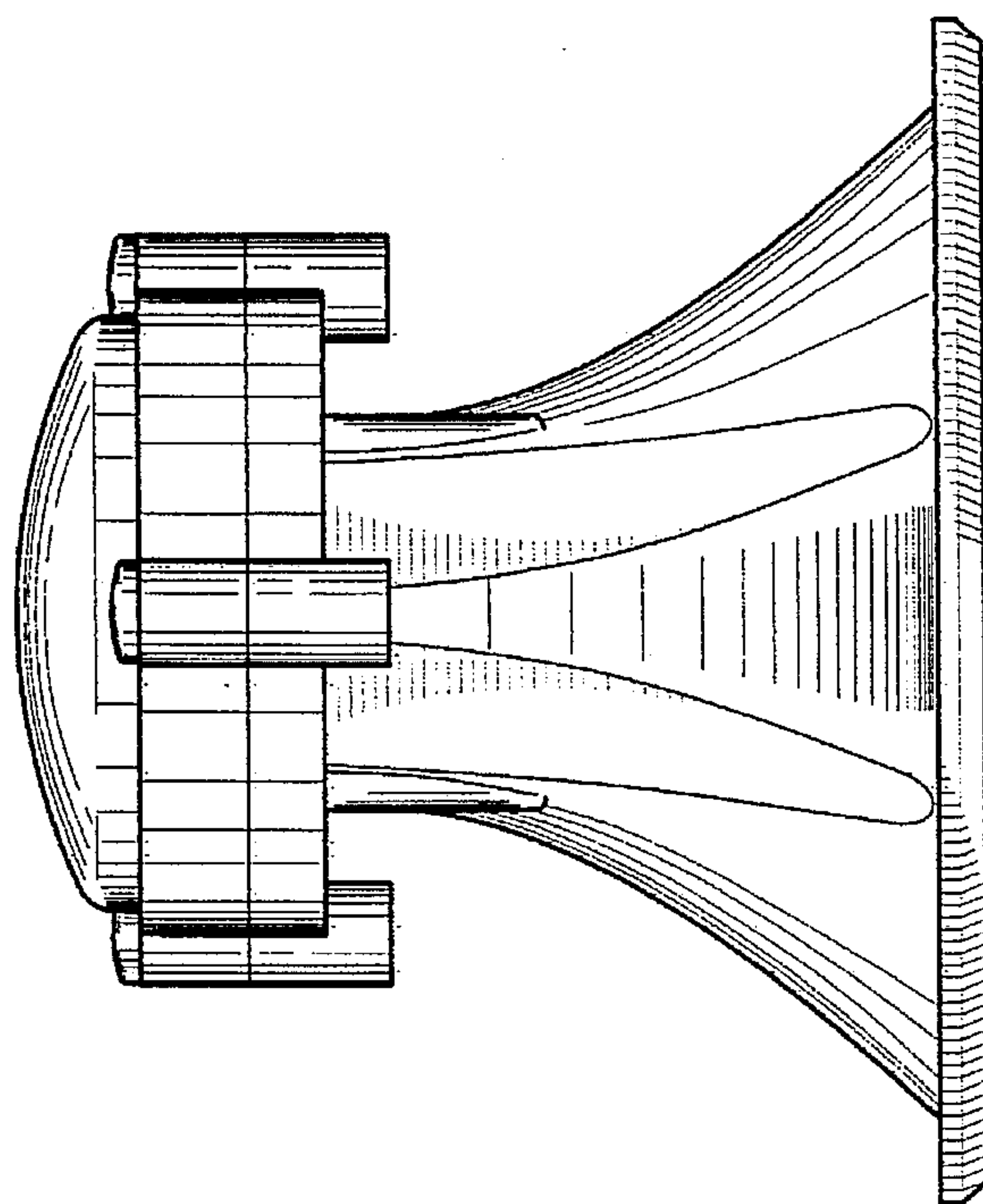


FIG. 3

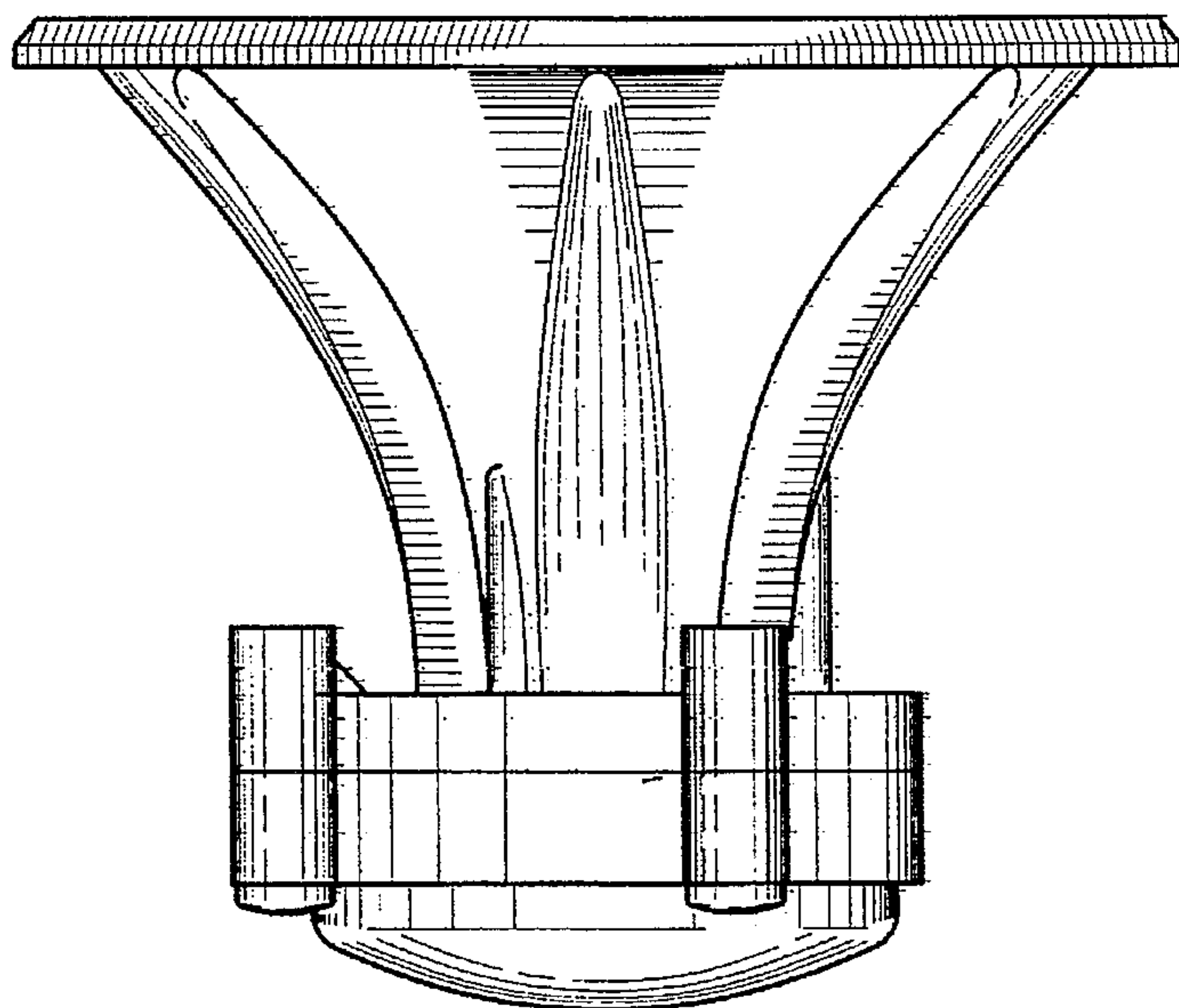


FIG. 4