



US00D375459S

United States Patent [19] Tipp

[11] Patent Number: **Des. 375,459**
[45] Date of Patent: ****Nov. 12, 1996**

[54] **BOTTLE CARRIER DEVICE**
[76] Inventor: **Raymond P. Tipp, P.O. Box 3778,
Missoula, Mont. 59806**
[**] Term: **14 Years**
[21] Appl. No.: **41,427**
[22] Filed: **Jul. 13, 1995**
[52] U.S. Cl. **D9/434**
[58] Field of Search **D9/434, 455, 457;
D20/22, 27, 40; 40/310; 294/27.1, 87.2,
159**

2,680,038 6/1954 Gray 294/87.2
3,208,713 9/1965 Eichhorn et al. D6/466 X
3,423,861 1/1969 Forsyth 40/310
3,627,123 12/1971 Wachter 294/87.2
4,724,971 2/1988 Henline 294/27.1
4,798,286 1/1989 Muscanelli 294/159 X

Primary Examiner—James M. Gandy
Assistant Examiner—Cathron B. Matta

[57] CLAIM

The ornamental design of a bottle carrier device, as shown and described.

DESCRIPTION

FIG. 1 is a top perspective view of my new design for a bottle carrier device, the opposite side being a mirror image thereof;

FIG. 2 is a left side elevational view of the bottle carrier device, the right side is a mirror image thereof; and,

FIG. 3 is a top end elevational view of the bottle carrier device.

1 Claim, 1 Drawing Sheet

[56] References Cited

U.S. PATENT DOCUMENTS

D. 230,728 3/1974 Richman D8/395 X
D. 247,788 4/1978 Bernyk D9/457 X
D. 272,316 1/1984 Braun D9/434 X
D. 360,362 7/1995 Strong D9/455
D. 370,386 6/1996 Pallesen D20/40 X
1,477,123 12/1923 Hopkins 40/310
1,992,442 2/1935 Revelle D6/541 X

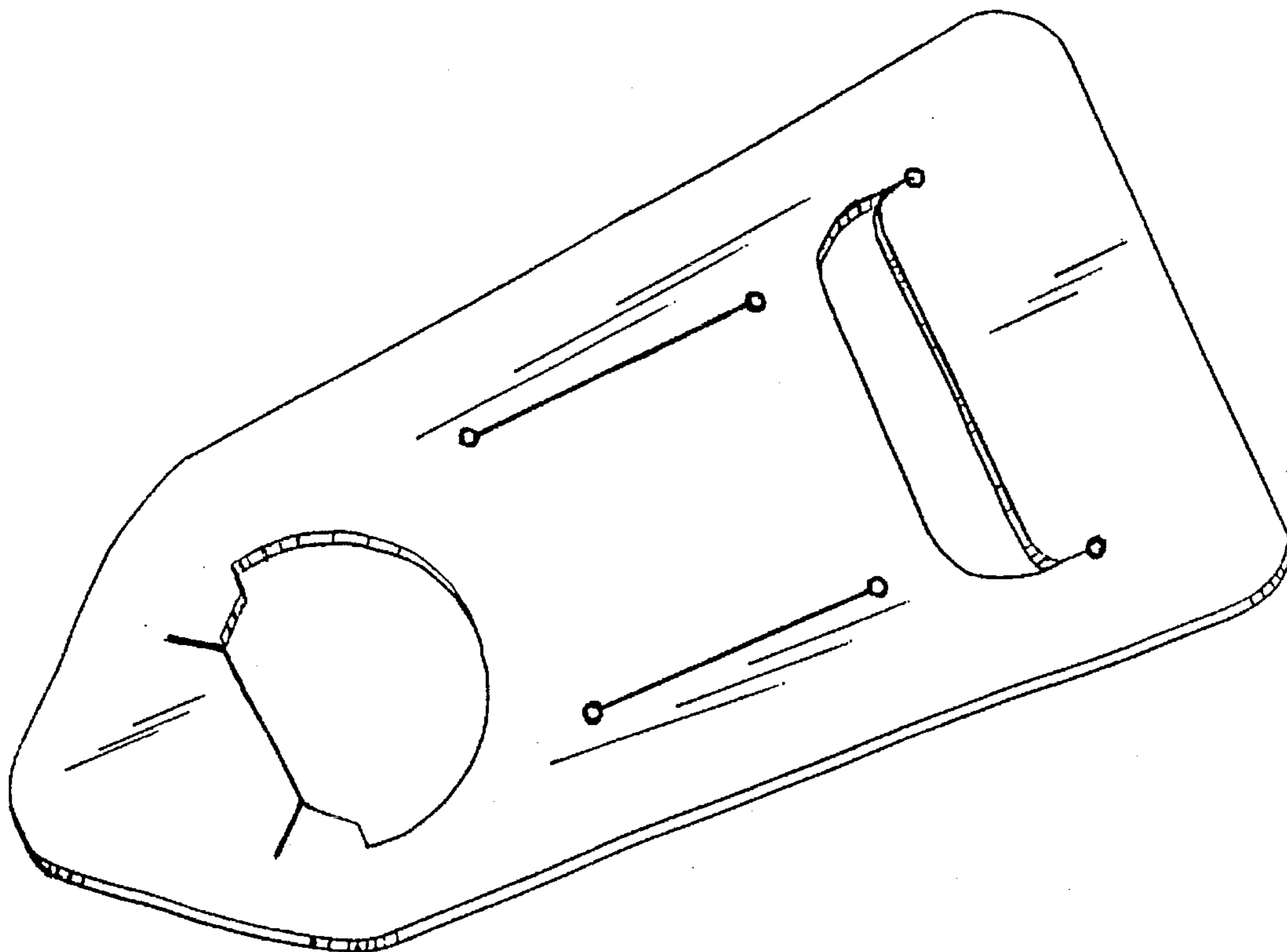


FIG. 1

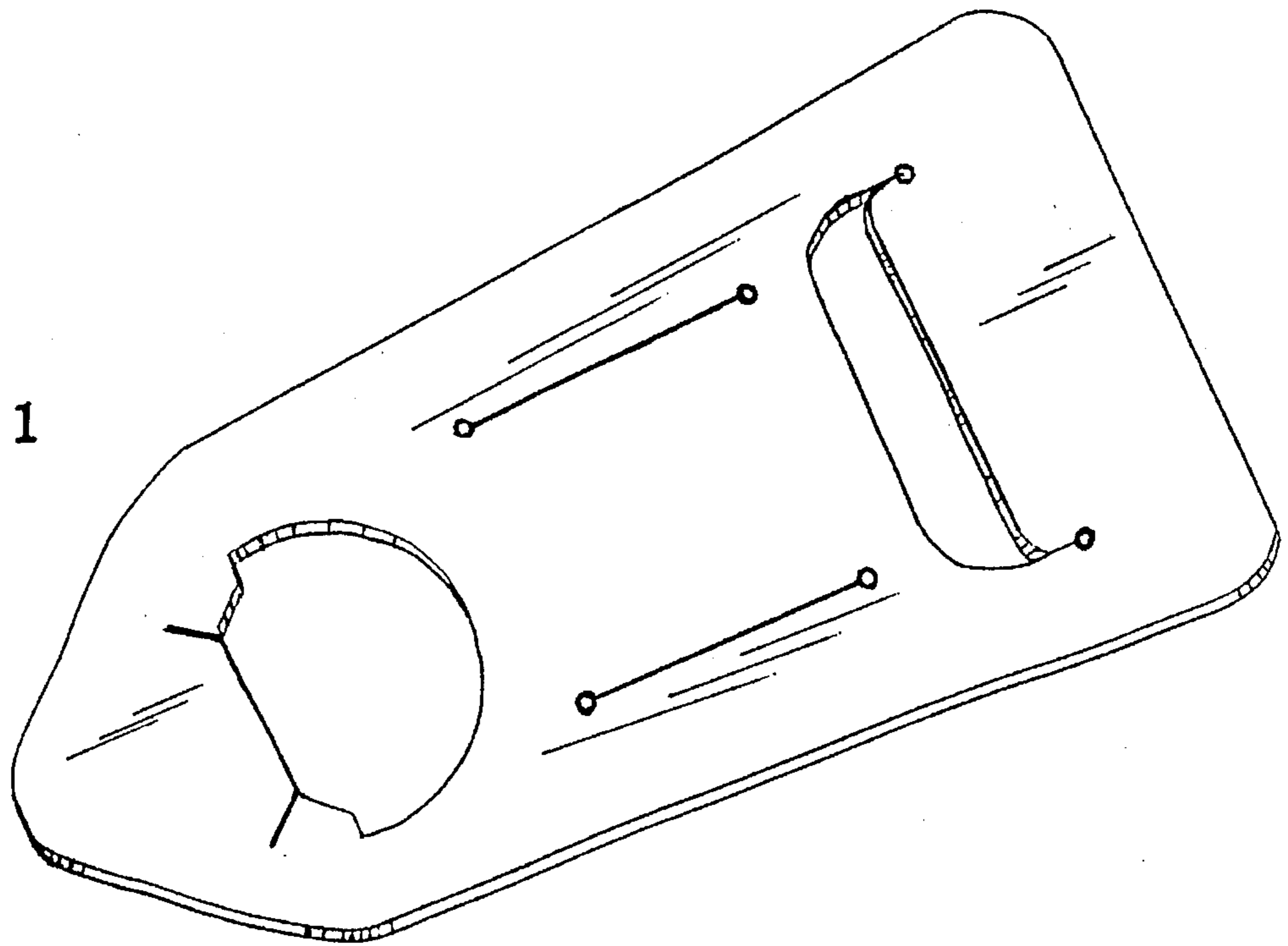


FIG. 2

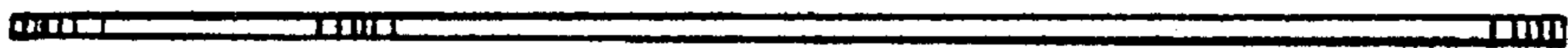


FIG. 3

