



US00D375458S

# United States Patent [19]

Drinnen

[11] Patent Number: **Des. 375,458**

[45] Date of Patent: **\*\*Nov. 12, 1996**

[54] **FRAMED ARTWORK PROTECTIVE SHIPPING CONTAINER**

[76] Inventor: **Powell G. Drinnen**, 7705 Gid Sherrod Rd., Strawberry Plains, Tenn. 37871

[\*\*] Term: **14 Years**

[21] Appl. No.: **49,088**

[22] Filed: **Jan. 16, 1996**

[52] U.S. Cl. .... **D9/423**

[58] Field of Search ..... D9/420-423, 432, D9/337, 456; D3/201, 273, 294, 903, 905; 206/454, 1.7, 575, 521, 521.2, 592, 594; 220/339, 337

[56] **References Cited**

**U.S. PATENT DOCUMENTS**

D. 273,615	4/1984	Maskrey .....	D9/423 X
D. 286,729	11/1986	Tzifkansky et al. ....	D9/423 X
D. 336,427	1/1993	Mainiero .....	D9/423
D. 365,754	1/1996	Plassier .....	D9/418 X
3,615,006	10/1971	Freed .....	206/454

4,901,853	2/1990	Maryatt .....	206/454 X
5,045,173	9/1991	Gudagno et al. ....	206/454 X
5,119,574	6/1992	King .....	206/454 X

*Primary Examiner*—Prabhakar G. Deshmukh  
*Attorney, Agent, or Firm*—Harold H. Dutton, Jr.; W. Charles L. Jamison; Diane S. Liebman

[57] **CLAIM**

The ornamental design for a framed artwork protective shipping container, as shown.

**DESCRIPTION**

FIG. 1 is a perspective view of a partially opened framed artwork protective shipping container showing my new design;  
FIG. 2 is a top view thereof;  
FIG. 3 is a bottom view thereof;  
FIG. 4 is a top plan view of a closed framed artwork protective shipping container;  
FIG. 5 is a rear view thereof;  
FIG. 6 is a left side view thereof; and,  
FIG. 7 is a right side view thereof.

**1 Claim, 4 Drawing Sheets**

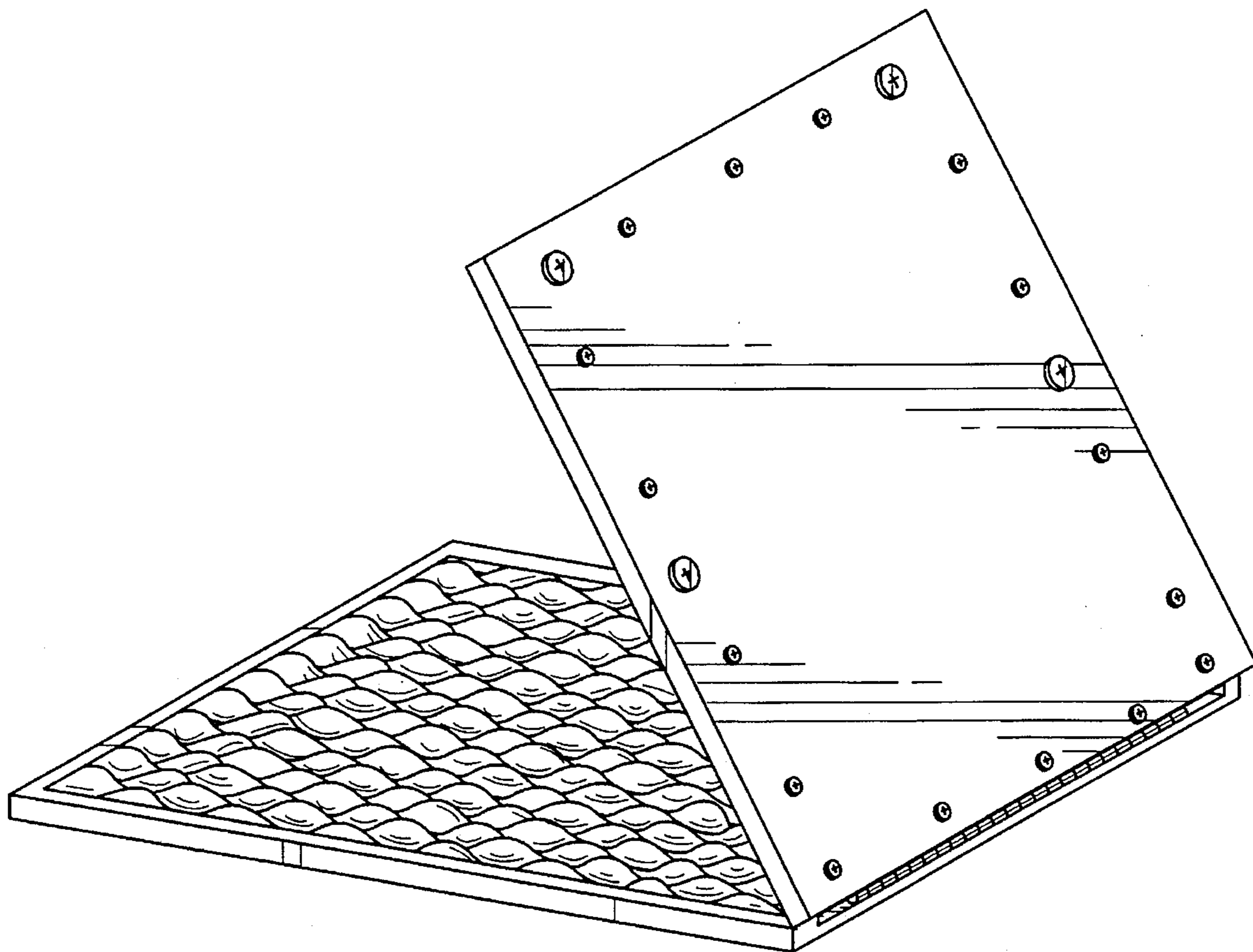
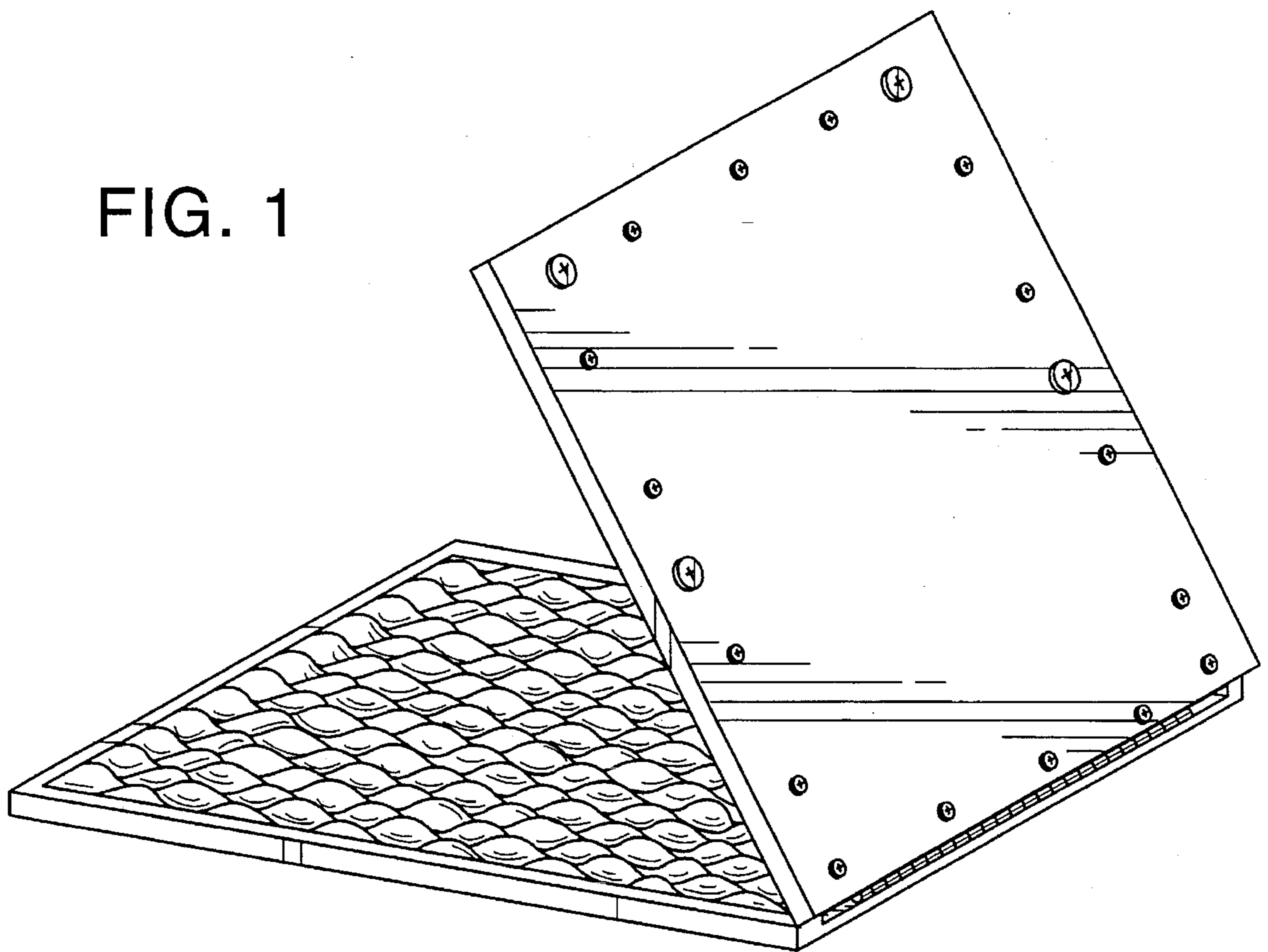


FIG. 1



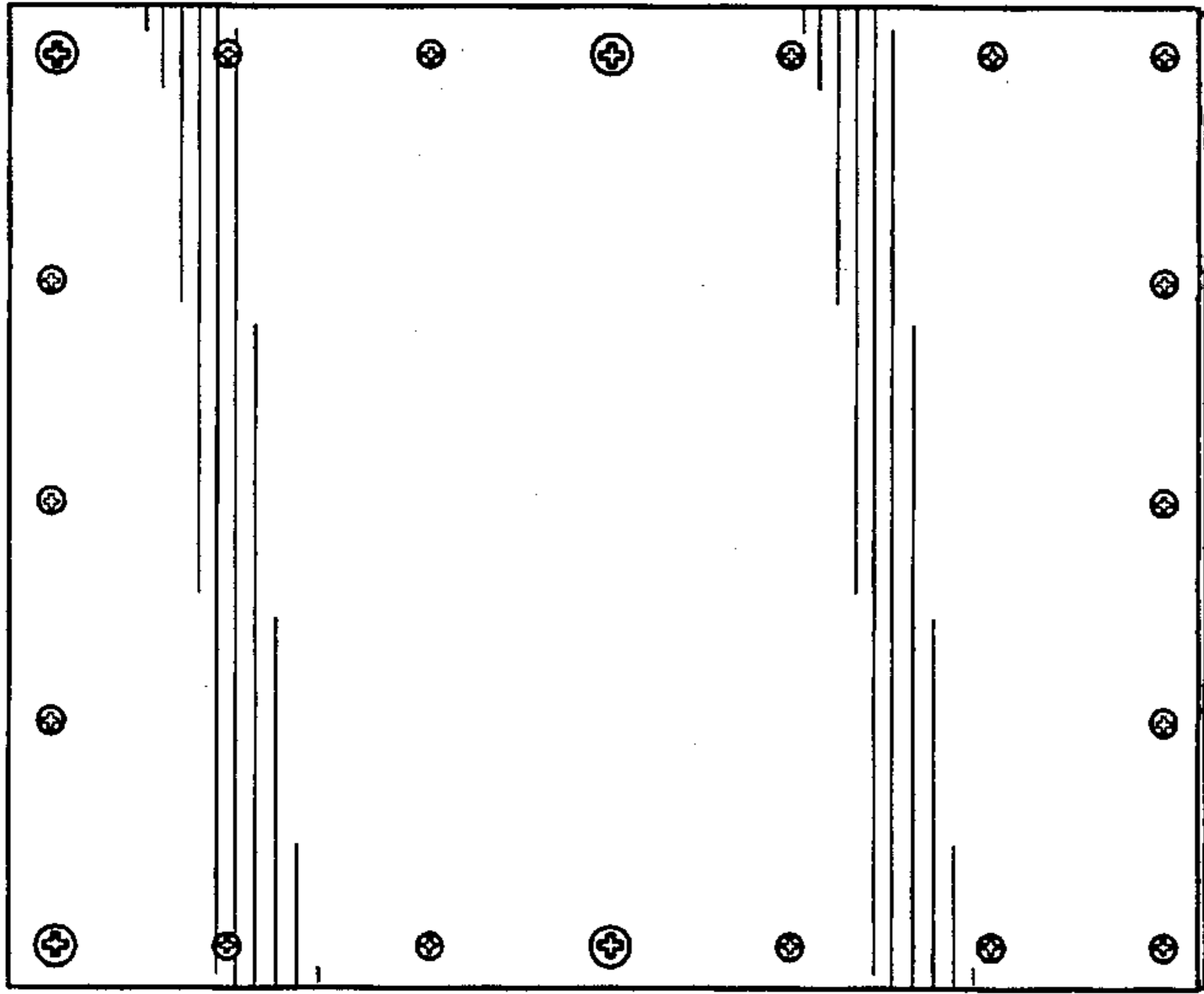


FIG. 2

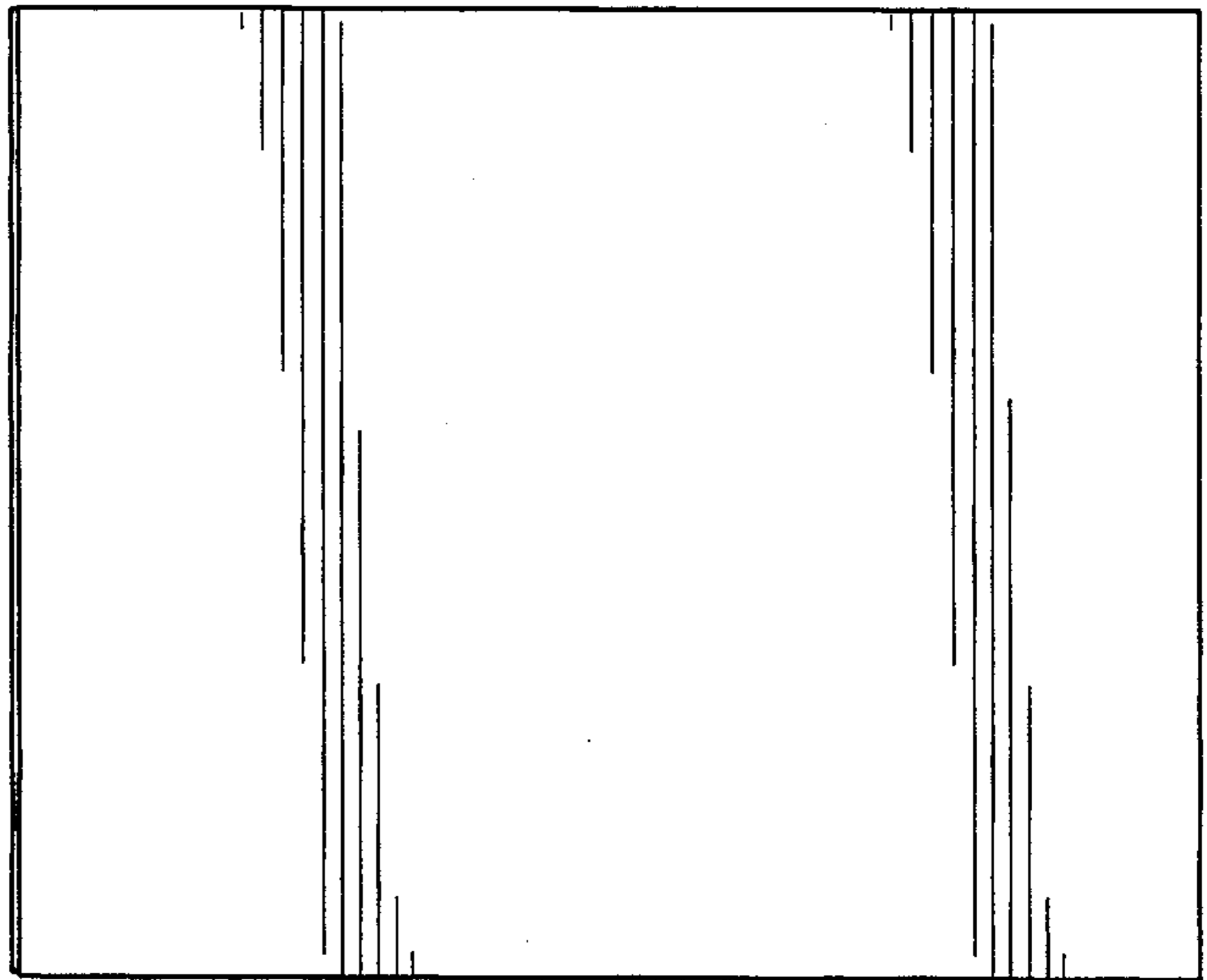


FIG. 3

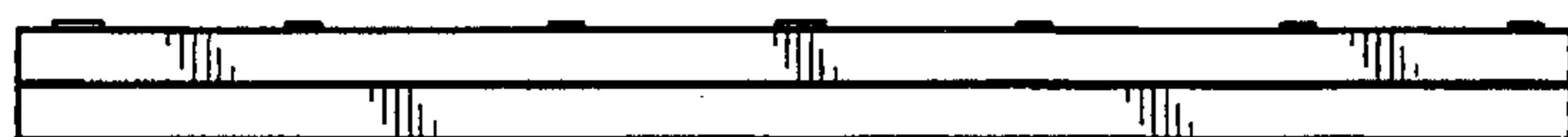


FIG. 4



FIG. 5

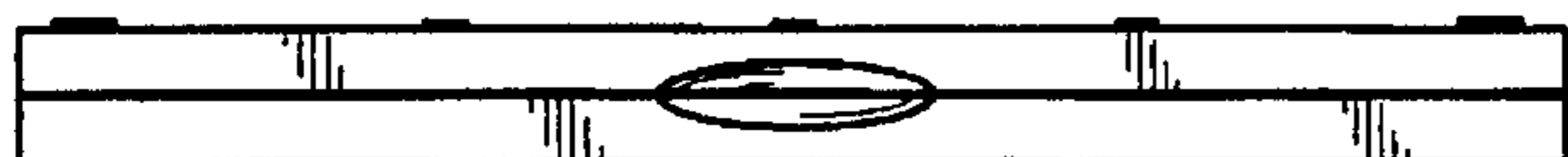


FIG. 6



FIG. 7