



US00D375453S

United States Patent [19]

[11] Patent Number: **Des. 375,453**

Fleck

[45] Date of Patent: ****Nov. 12, 1996**

[54] **CHRISTMAS LIGHT HOLDER**

[76] Inventor: **Jacob Fleck**, 168 Mount Pleasant Drive, Camrose, Alberta, Canada, T4V 4A9

1,361,056 12/1920 Hickman 248/214 X
 1,530,180 3/1925 Holmes 248/316.7 X
 1,674,305 6/1928 Sedlock et al. 248/214 X
 5,332,090 7/1994 Tucker D8/396 X
 5,489,078 2/1996 Risley 248/316.7 X

[**] Term: **14 Years**

Primary Examiner—Paula A. Mortimer
Attorney, Agent, or Firm—Bennett Jones Verchere

[21] Appl. No.: **37,156**

[57] **CLAIM**

[22] Filed: **Apr. 5, 1995**

The ornamental design for a Christmas light holder, as shown and described.

Related U.S. Application Data

[63] Continuation-in-part of Ser. No. 9,670, Jun. 21, 1993, abandoned.

[52] **U.S. Cl.** **D8/395**

[58] **Field of Search** D8/395, 396; D20/43; 24/336, 338, 339; 248/74.2, 214, 316.7

DESCRIPTION

FIG. 1 is a right side elevational view of a Christmas light holder showing one embodiment of my new design, the opposite side being a mirror image;

FIG. 2 is a bottom plan view thereof;

FIG. 3 is a top, left and perspective view thereof; and

FIG. 4 is a rear elevational view thereof;

FIG. 5 is a right side elevational view of a Christmas light holder showing an alternative embodiment of my new design, the opposite side being a mirror image;

FIG. 6 is a bottom plan view thereof;

FIG. 7 is a rear elevational view thereof; and,

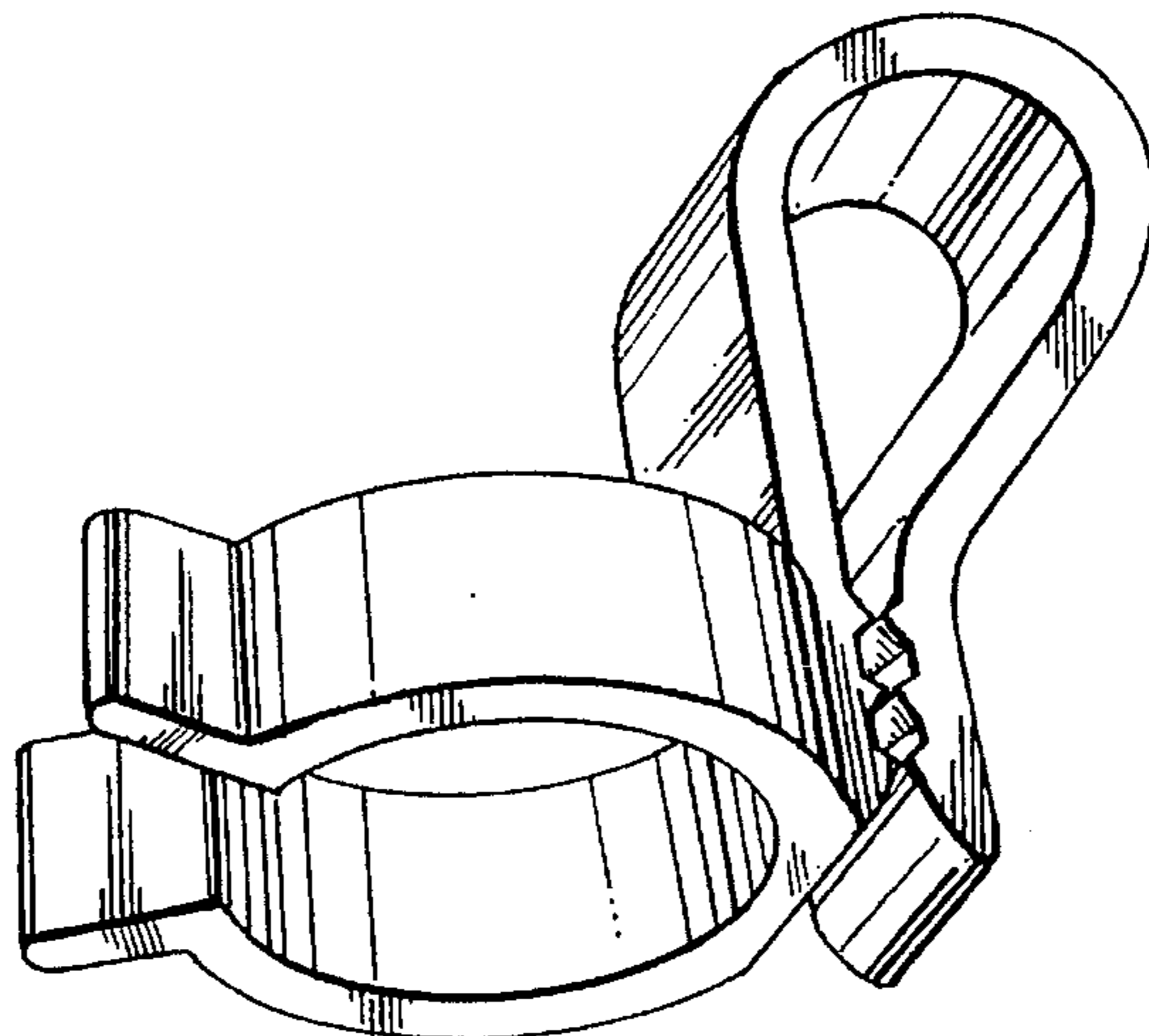
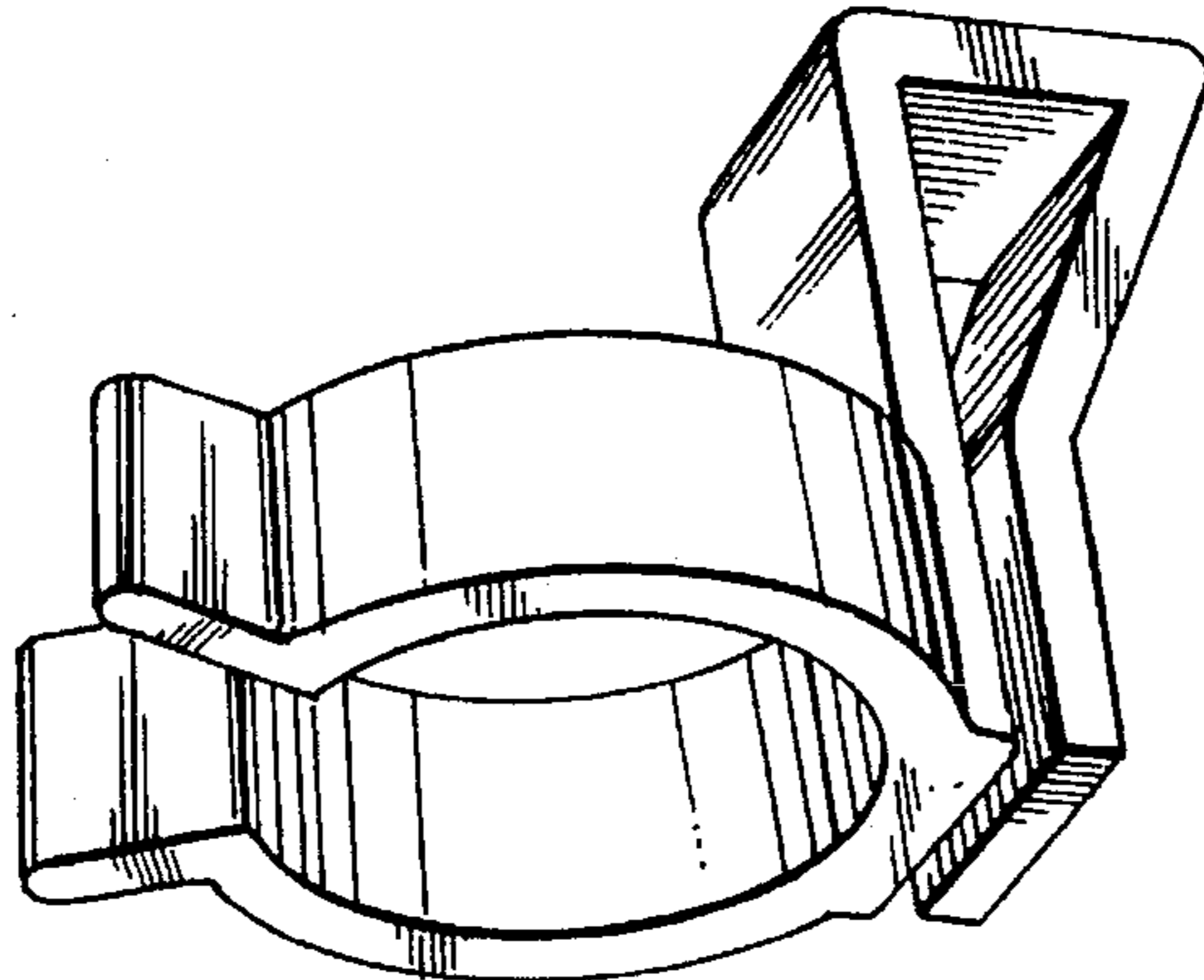
FIG. 8 is a top, left and perspective view thereof.

References Cited

U.S. PATENT DOCUMENTS

D. 206,783 1/1967 McCormick 24/339 X
 D. 276,272 11/1984 Weissenburger D8/396 X
 D. 277,781 2/1985 Weissenburger D8/395 X
 D. 298,738 11/1988 Rumpel D8/395
 D. 316,958 5/1991 Rumpel D8/395
 D. 317,252 6/1991 Rumpel D8/396 X

1 Claim, 2 Drawing Sheets



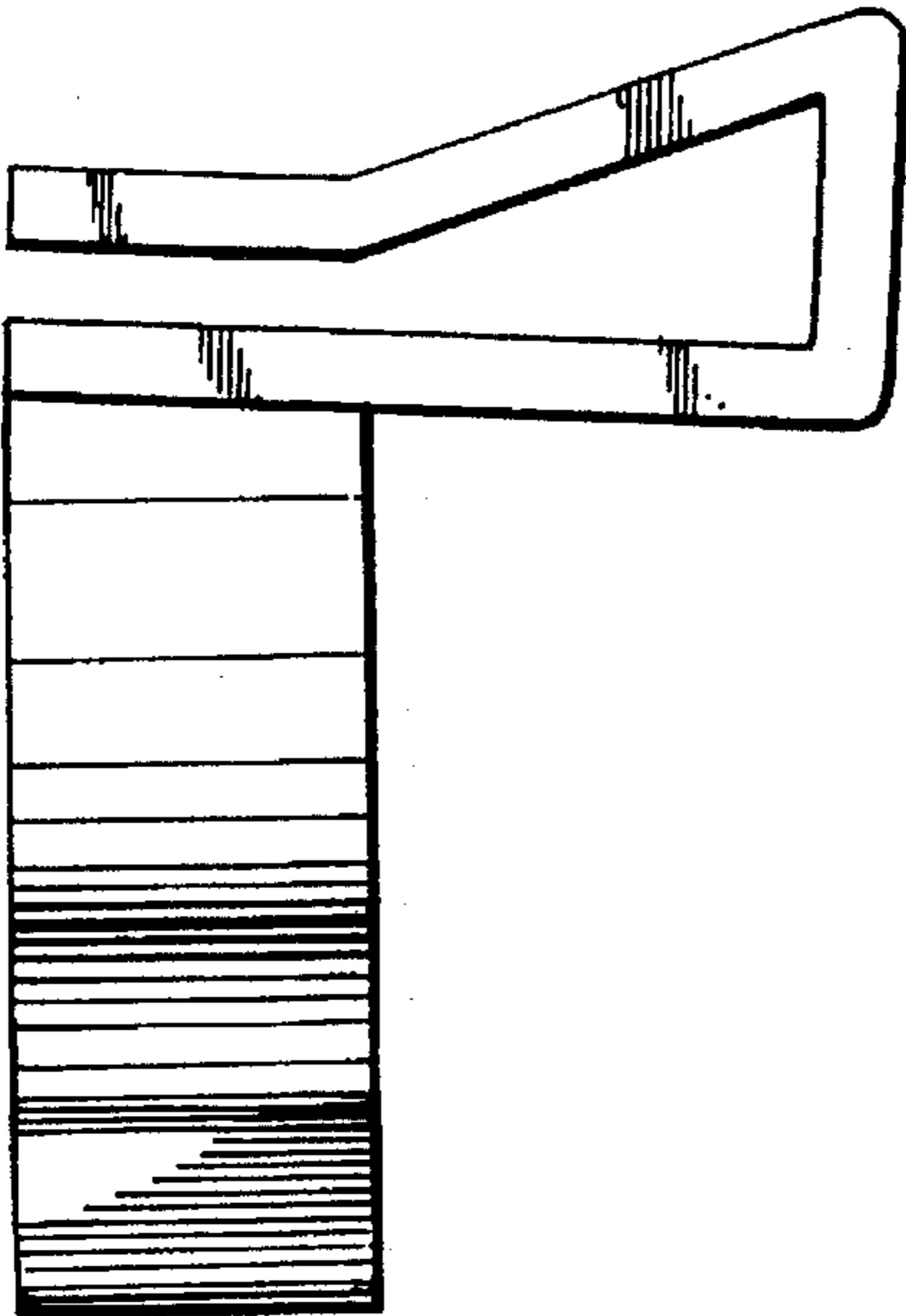


FIG. 1

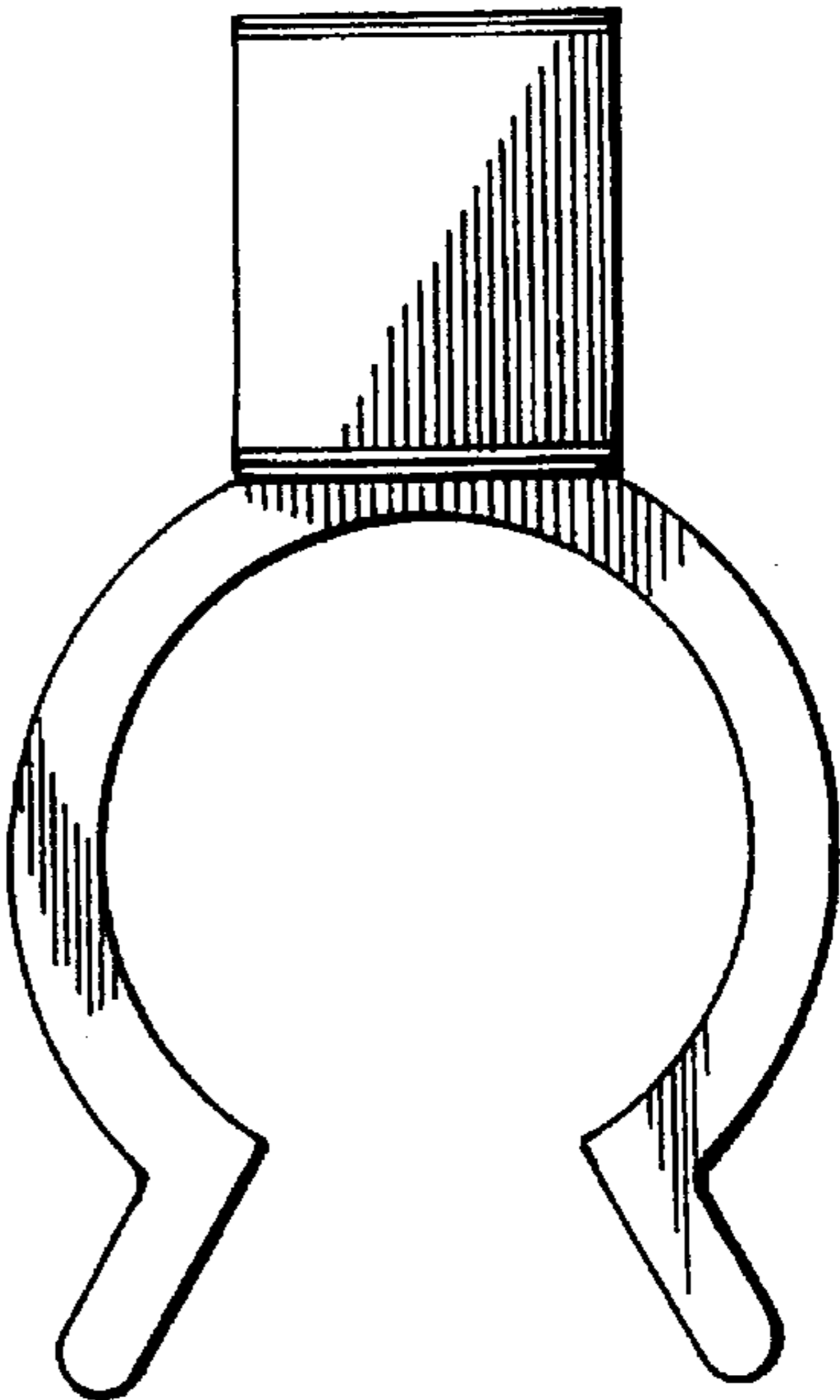


FIG. 2

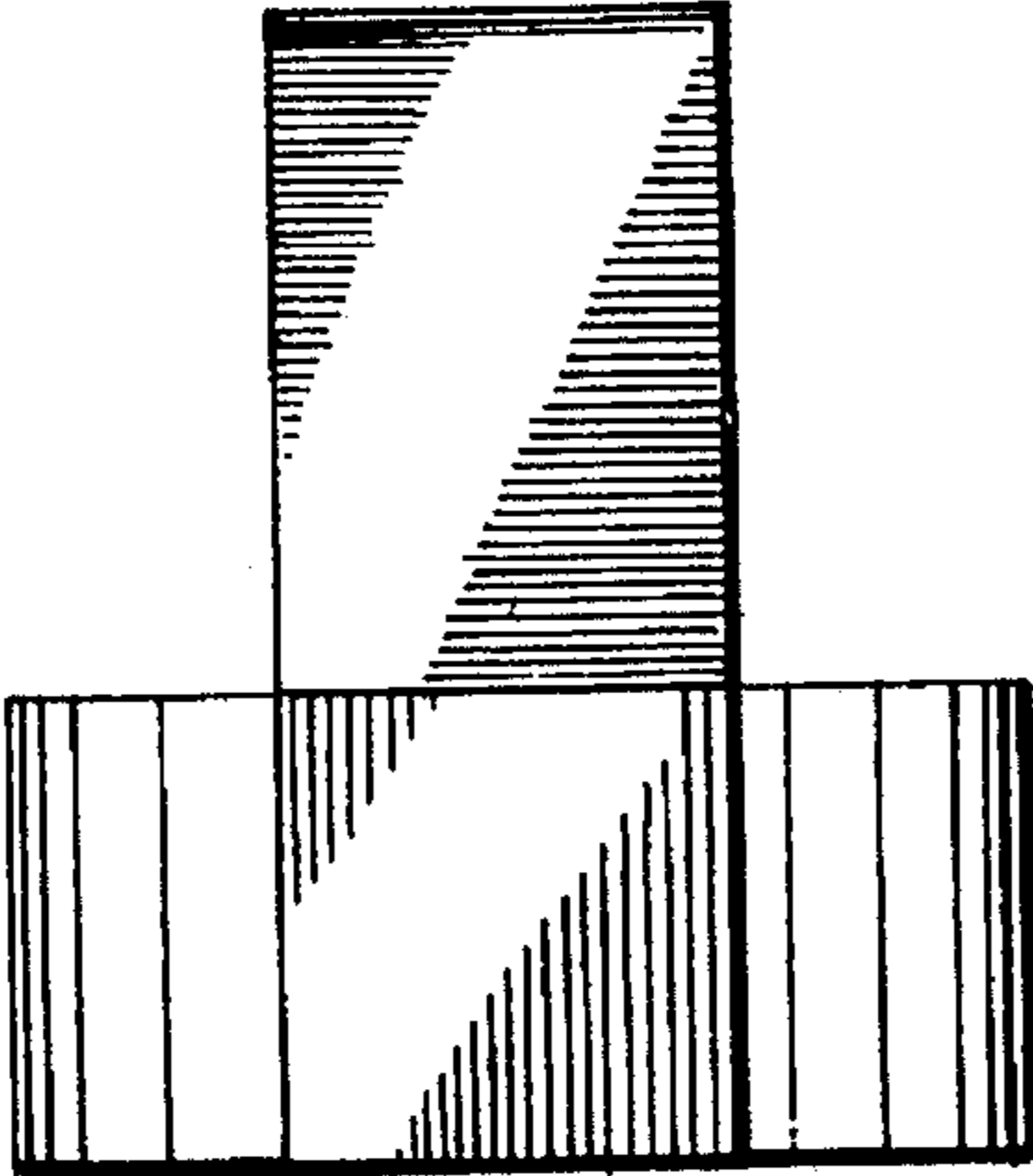


FIG. 4

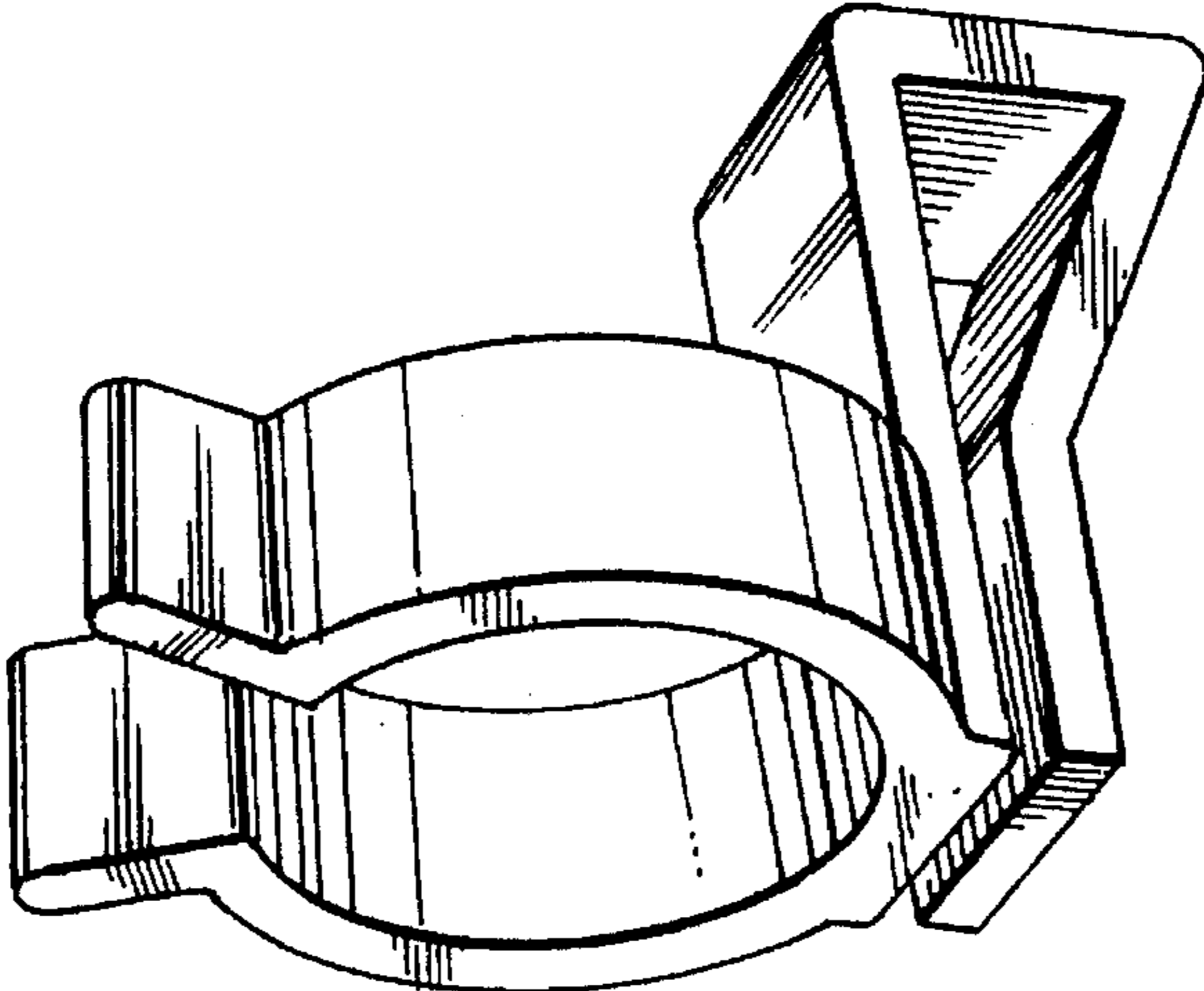


FIG. 3

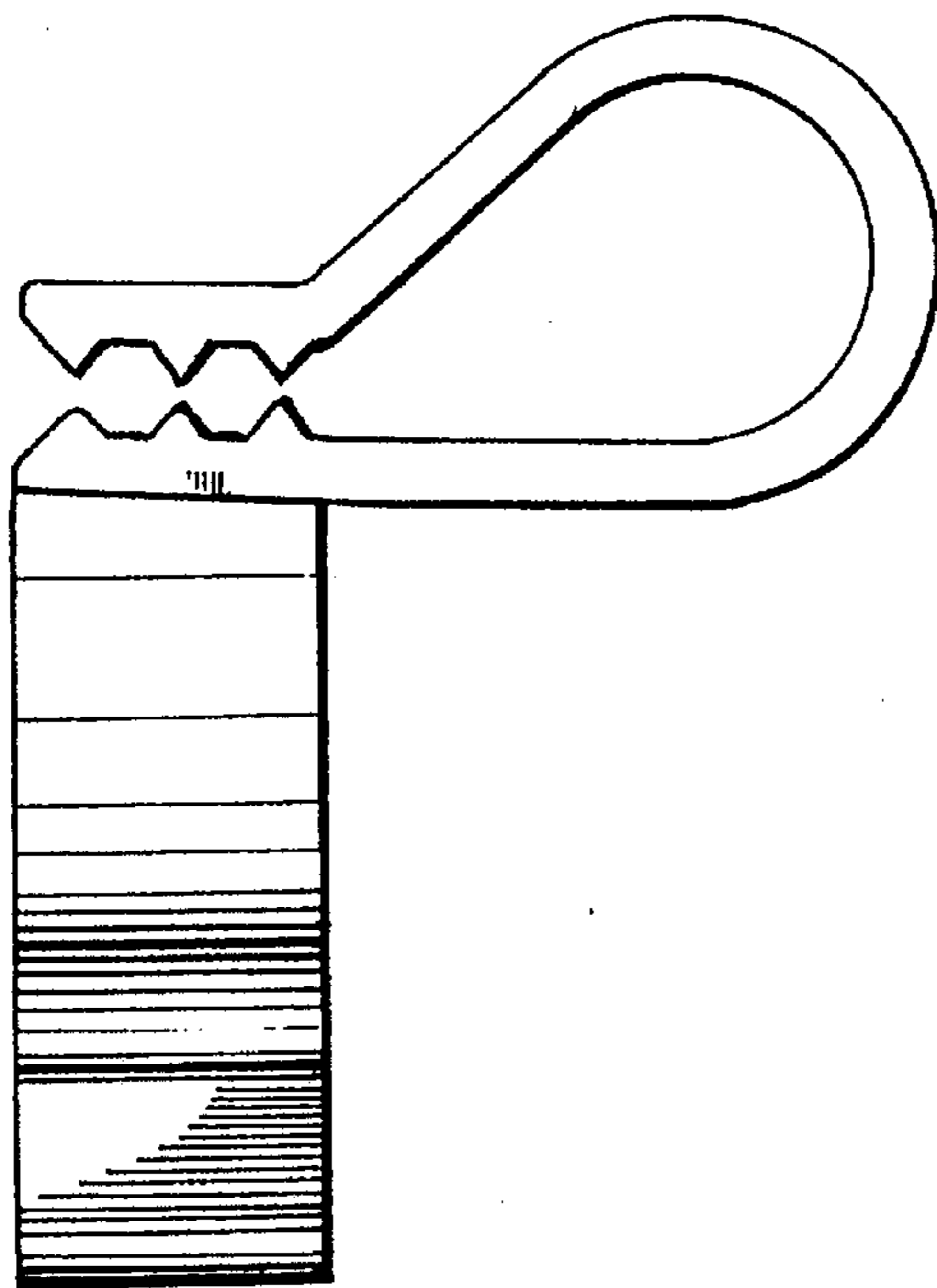


FIG. 5

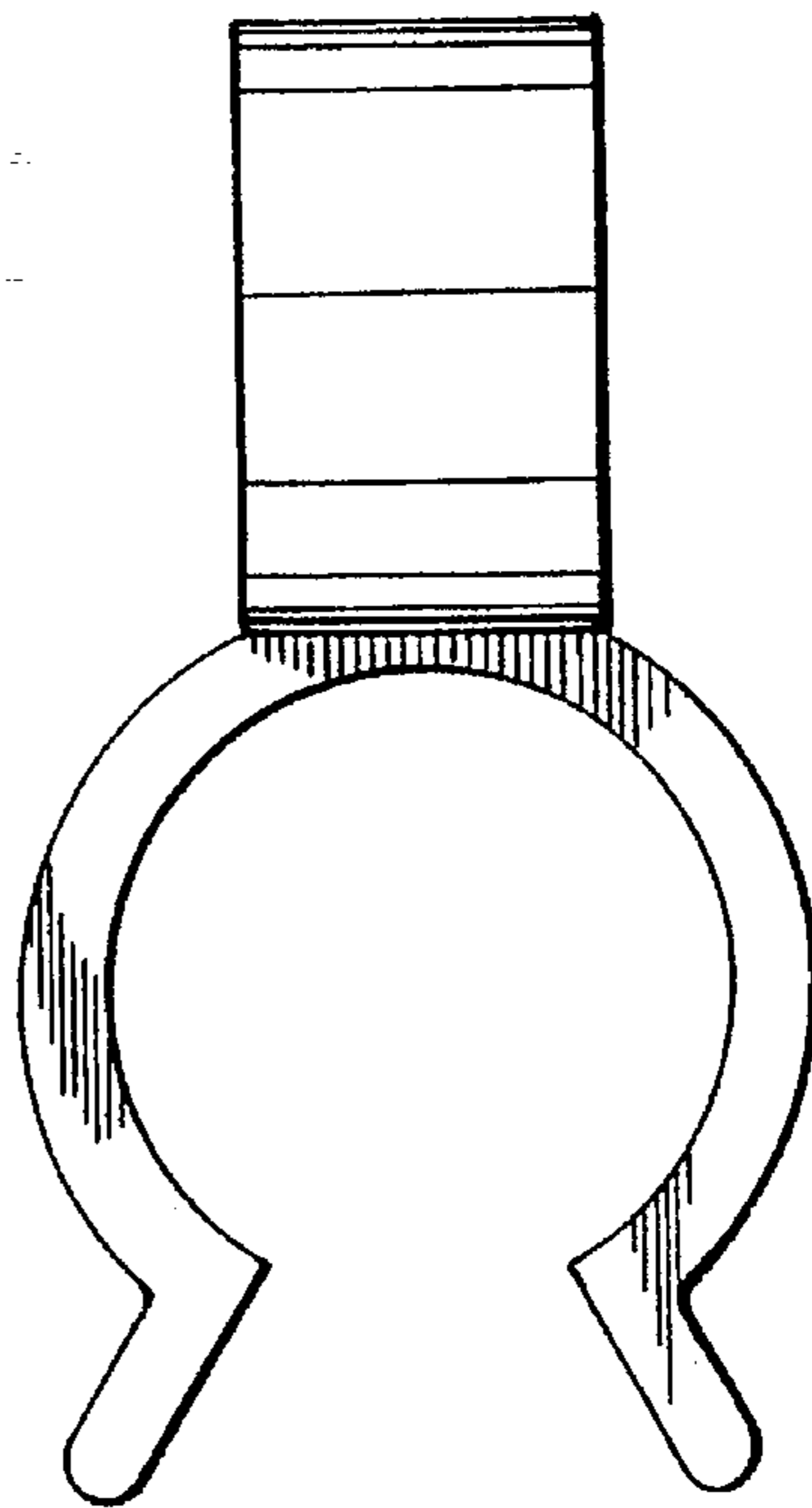


FIG. 6

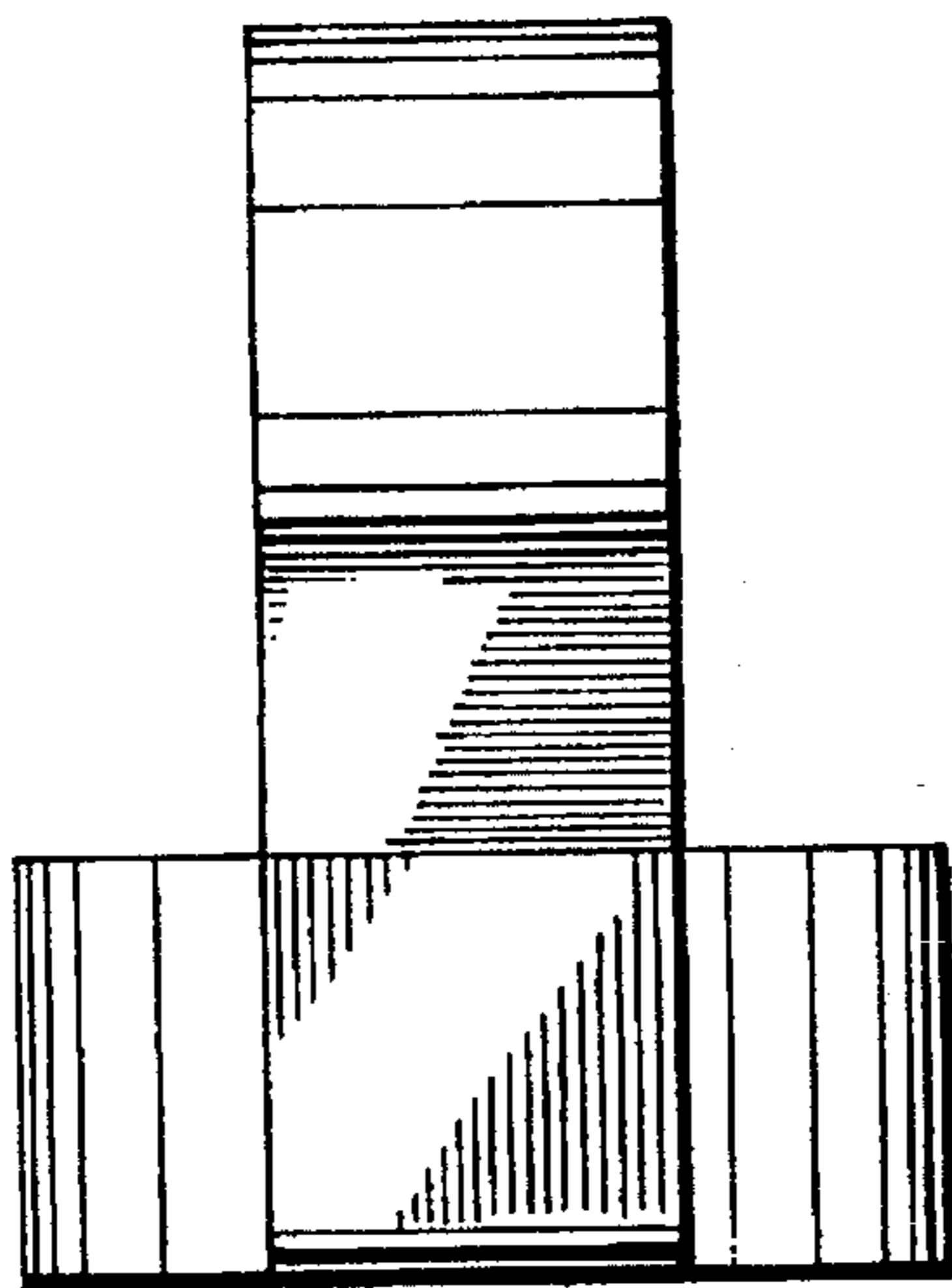


FIG. 7

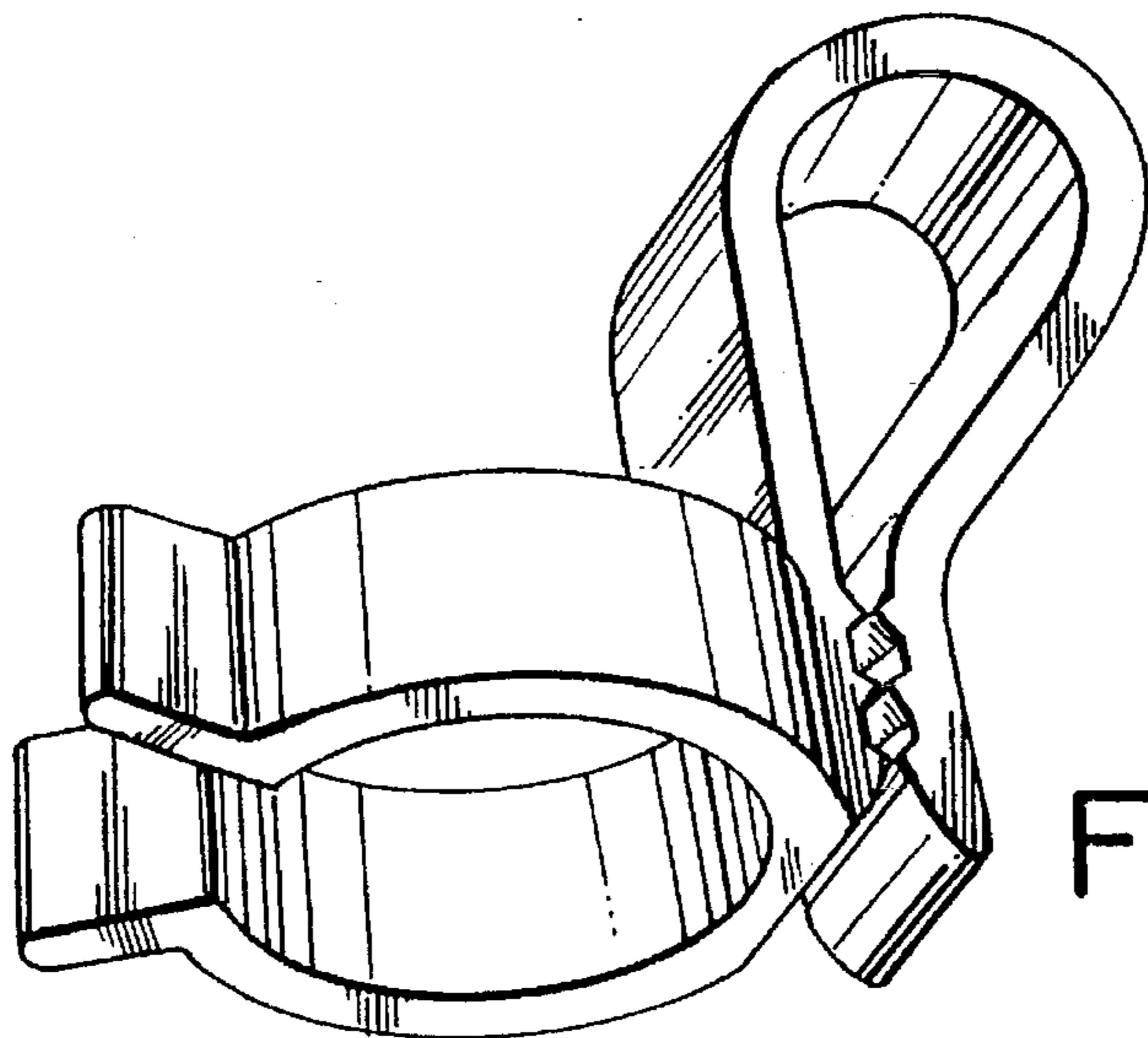


FIG. 8