



US00D375451S

United States Patent [19] Ohkubo

[11] Patent Number: Des. 375,451
[45] Date of Patent: **Nov. 12, 1996

[54] STRUCTURAL JOINT

[75] Inventor: Masayuki Ohkubo, Shizuoka, Japan

[73] Assignee: Yazaki Industrial Chemical Co., Ltd.,
Shizuoka, Japan

[**] Term: 14 Years

[21] Appl. No.: 25,843

[22] Filed: Jul. 13, 1994

[52] U.S. Cl. D8/382; D8/323

[58] Field of Search D8/382, 323; 403/169,
403/217, 177, 303; D6/462-465, 491; D34/21,
27, 14

[56] References Cited

U.S. PATENT DOCUMENTS

D. 86,005	1/1932	Astrup	D8/382
D. 222,234	10/1971	Imber	D8/323 X
D. 355,589	2/1995	Kuwata	D8/382
671,053	4/1901	Latta	403/217
1,908,757	5/1933	Hathorn	403/217 X
2,839,320	6/1958	Hill	D8/382 X
4,637,748	1/1987	Beavers	403/217 X

FOREIGN PATENT DOCUMENTS

940731	3/1956	Germany	403/217
12683	2/1925	Netherlands	403/169

Primary Examiner—Lucy Lieberman
Attorney, Agent, or Firm—Eric P. Schellin

[57] CLAIM

The ornamental design for a structural joint, as shown and described.

DESCRIPTION

FIG. 1 is a front perspective view of a structural joint showing our ornamental design; FIG. 2 is a front elevational view; FIG. 3 is a top plan view; FIG. 4 is a bottom plan view; FIG. 5 is a rear elevational view; FIG. 6 is a left side elevational view; FIG. 7 is a right side elevational view; FIG. 8 is a cross sectional view taken on line VIII—VIII; FIG. 9 is a cross sectional view taken on line IX—IX; FIG. 10 is a perspective view illustrating an example of an embodiment of utilization of a structural joint for constructing a pipe frame, in which for instance, the reference arrow XI is the structural joint; and, FIG. 11 is a partially enlarged view in the direction of the arrow XI.

The broken lines showing a pipe frame in FIG. 10 and portions of pipes in FIG. 11 are for illustrative purposes only and do not form part of the claimed design.

1 Claim, 5 Drawing Sheets

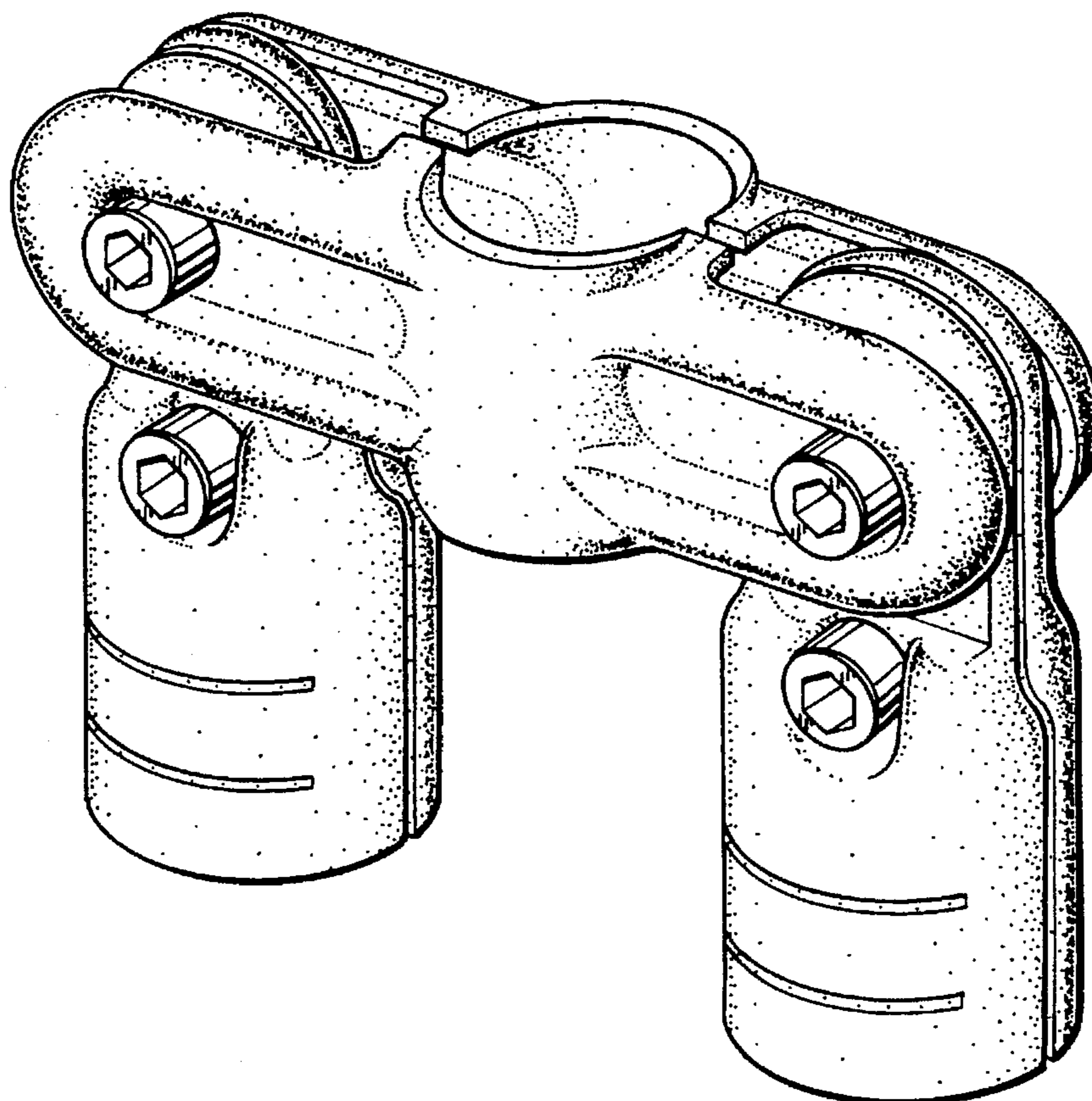


FIG. 1

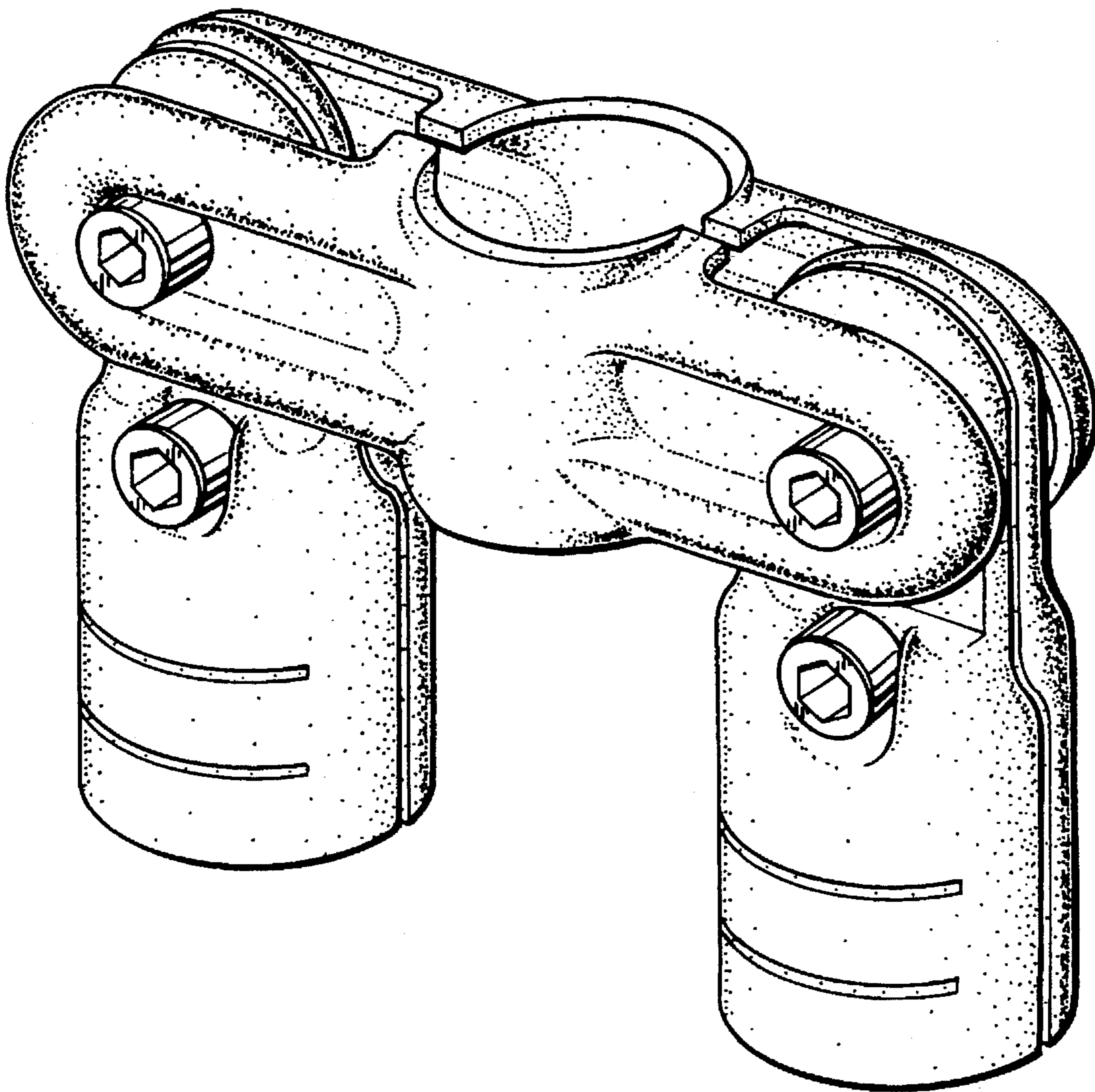


FIG. 2

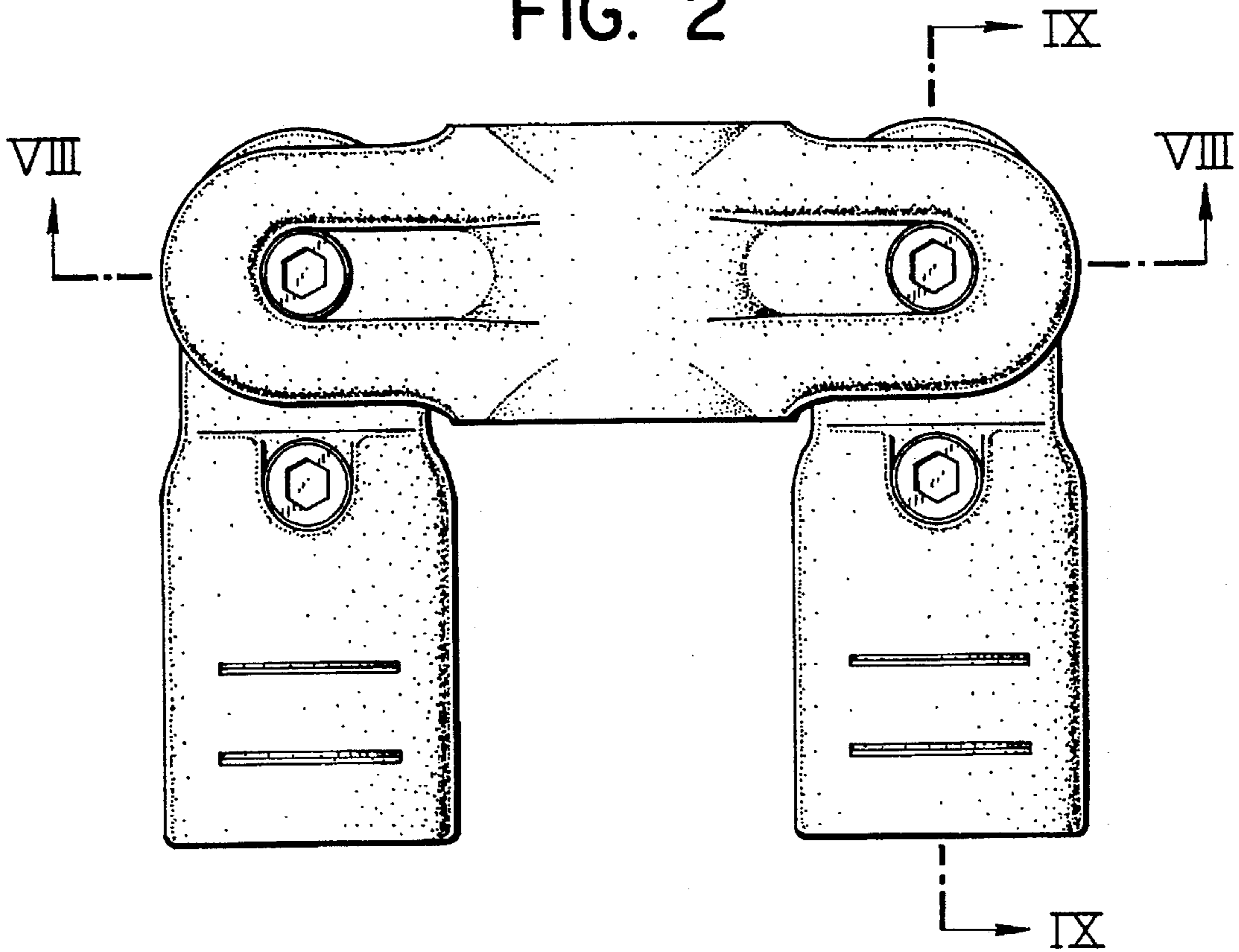


FIG. 3

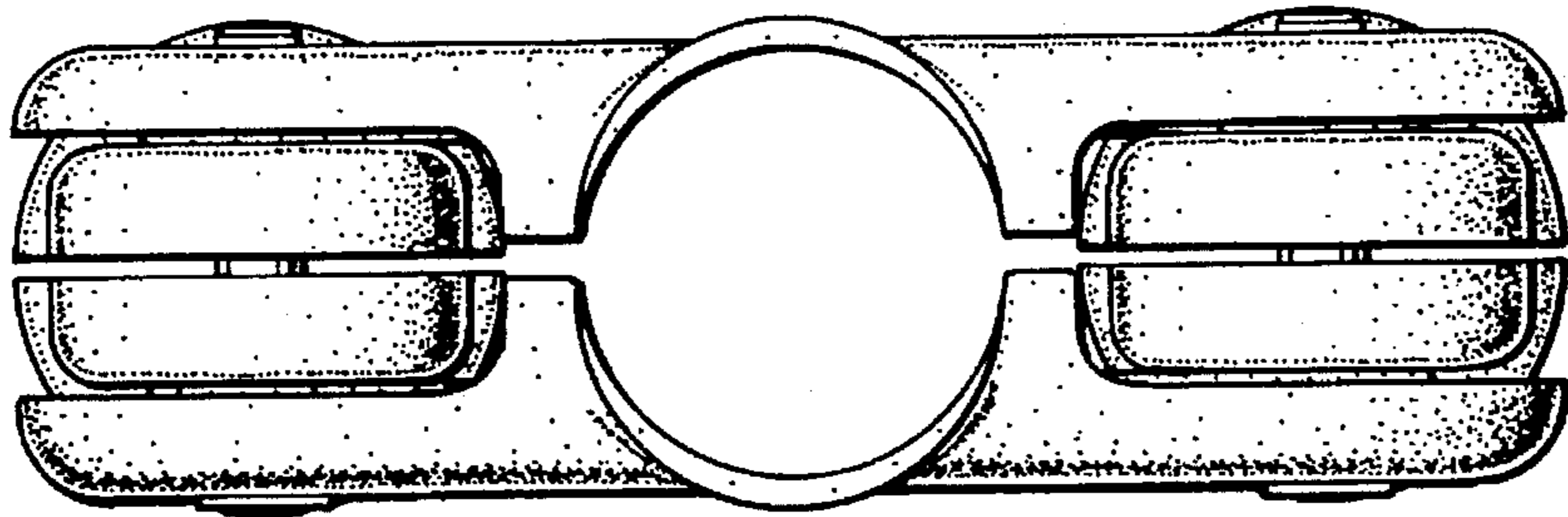


FIG. 4

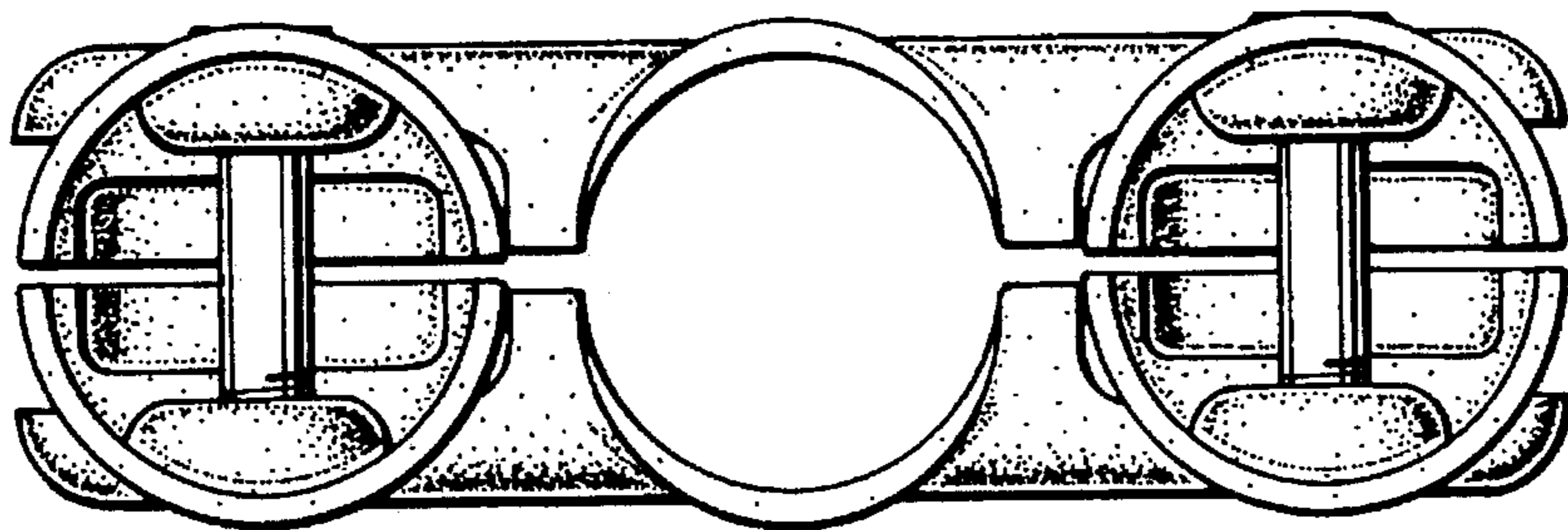


FIG. 5

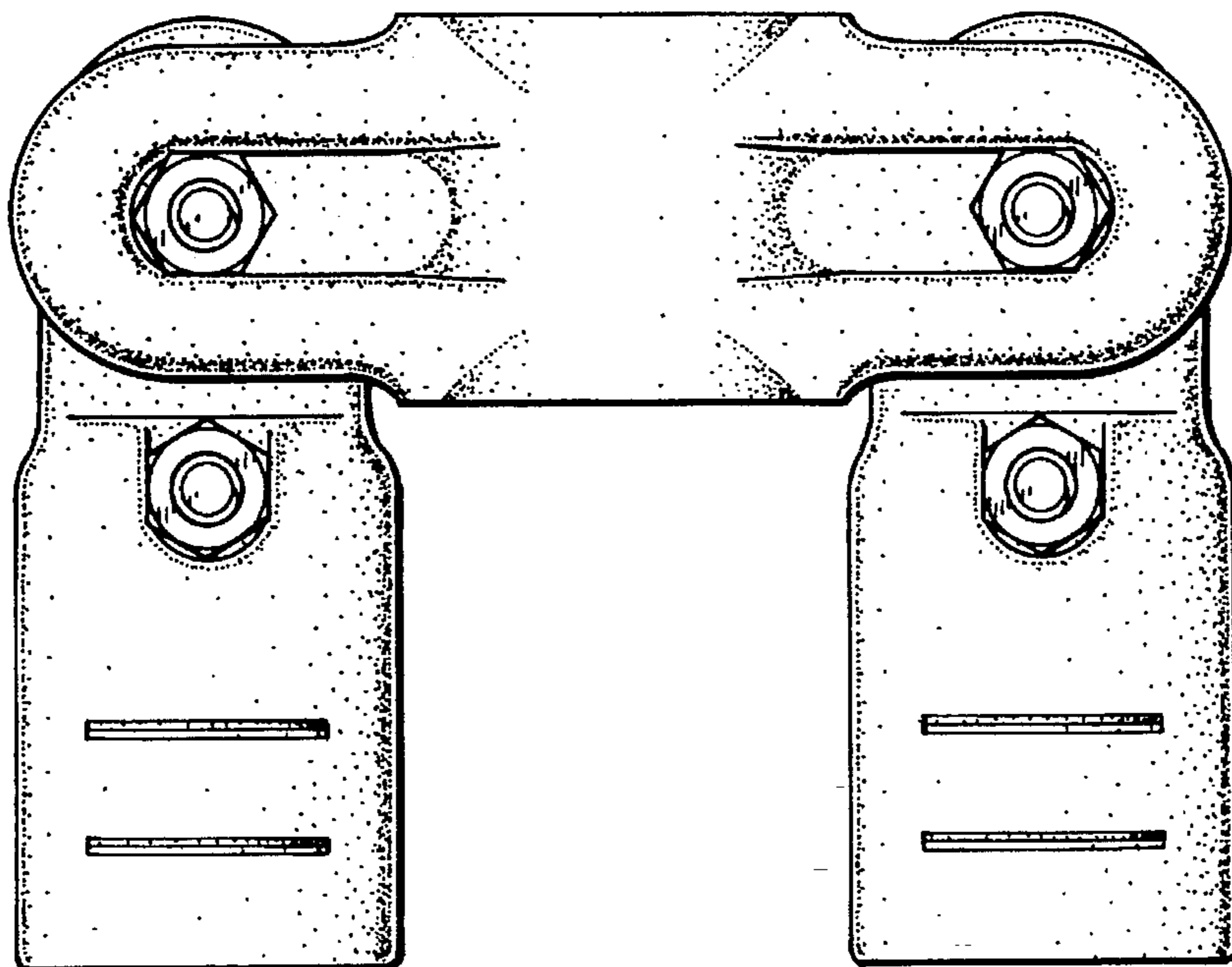


FIG. 6

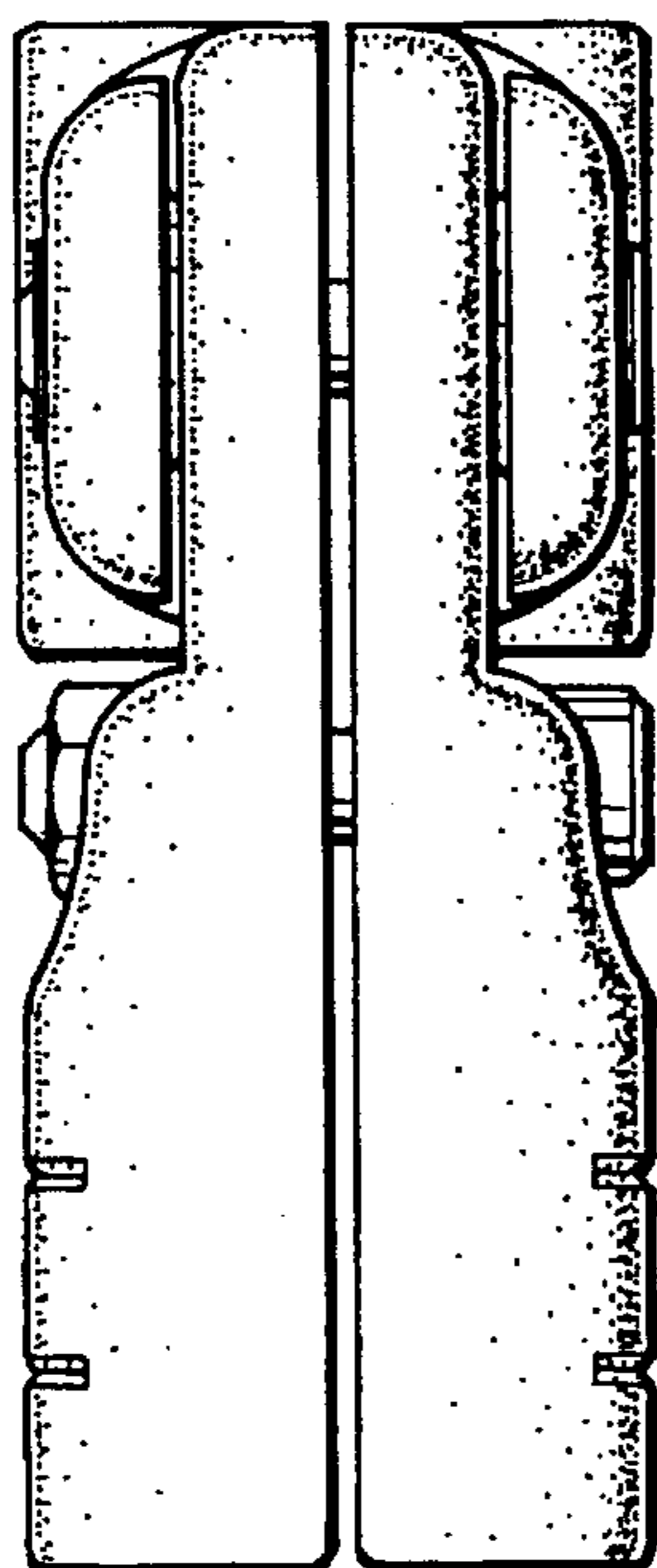


FIG. 7

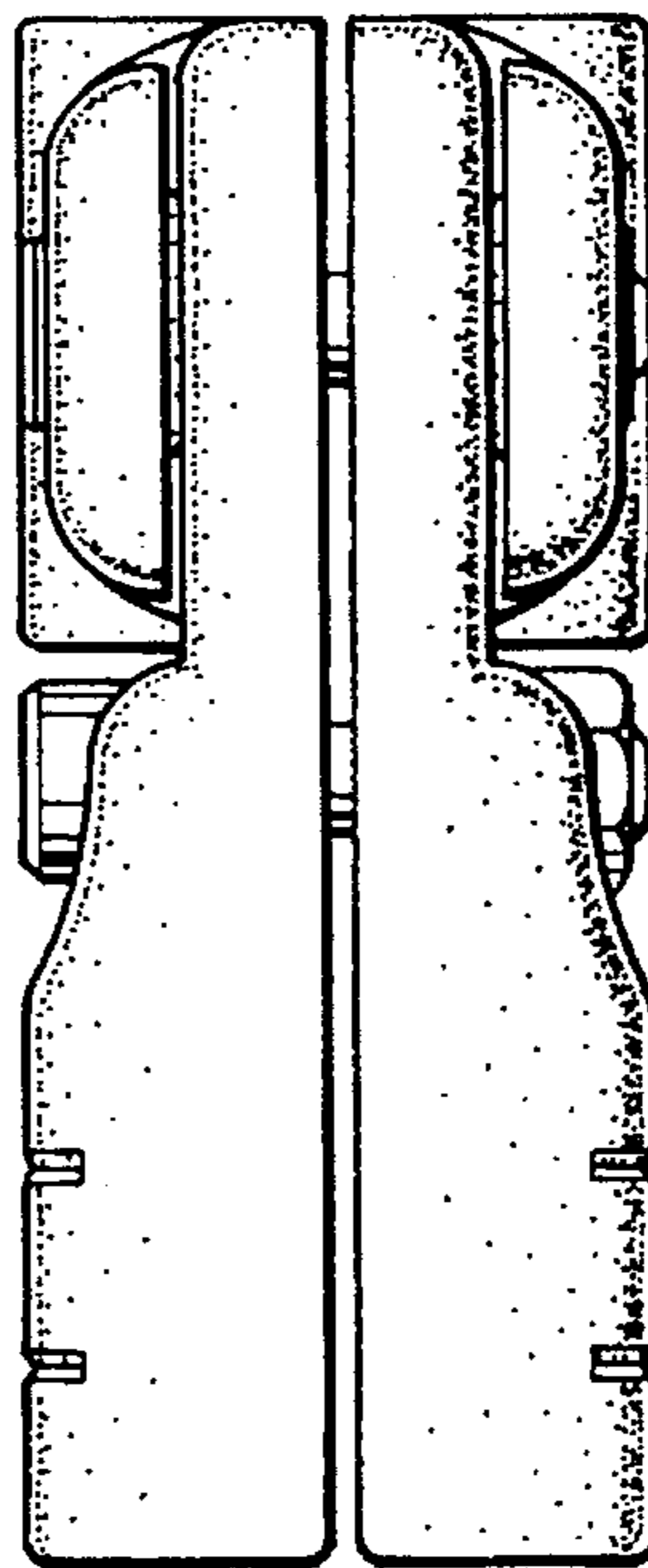


FIG. 8

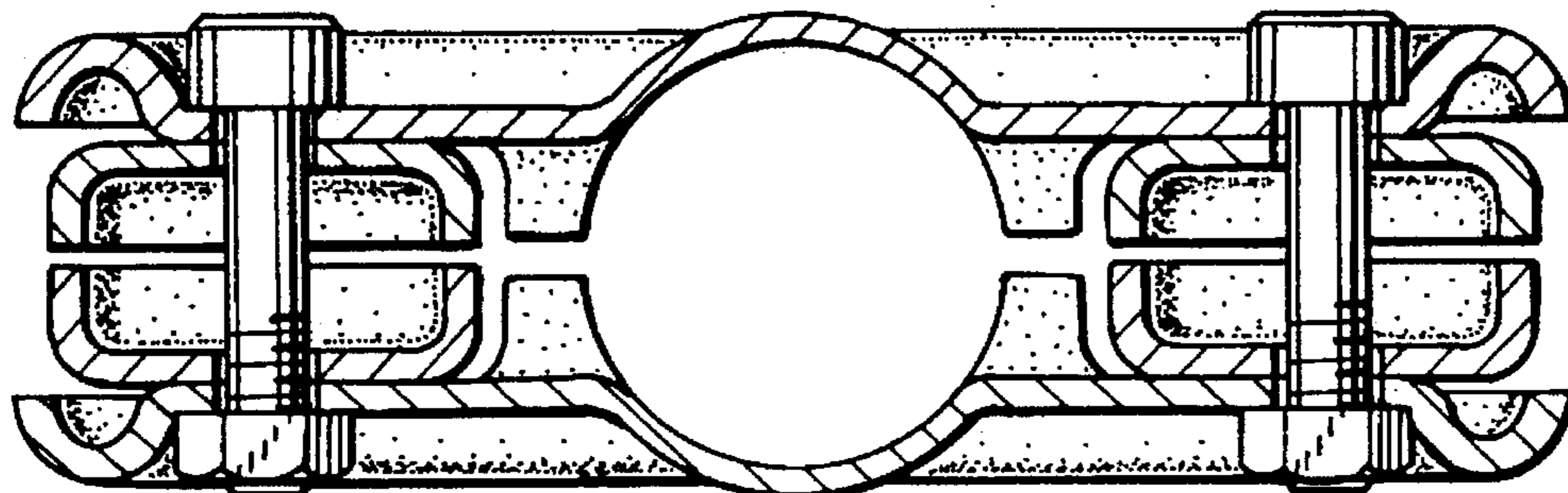


FIG. 9

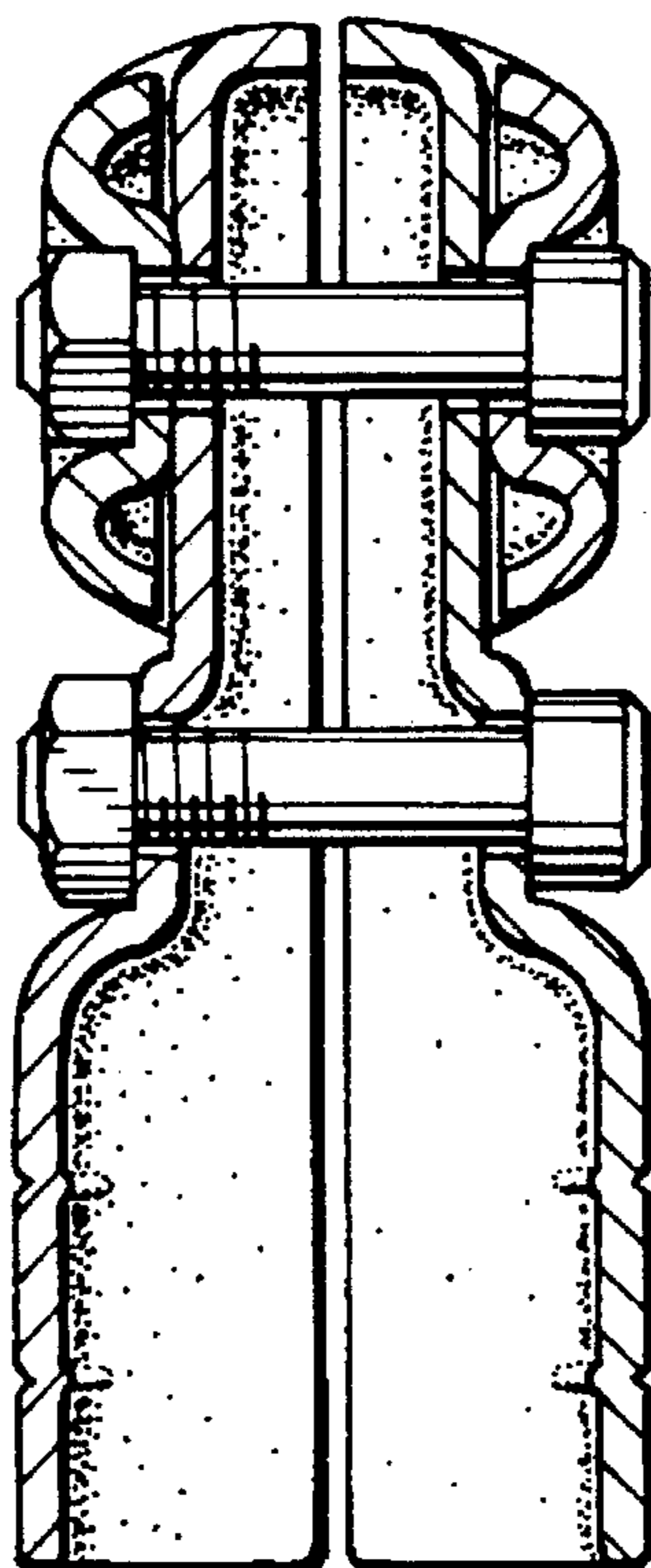


FIG. 10

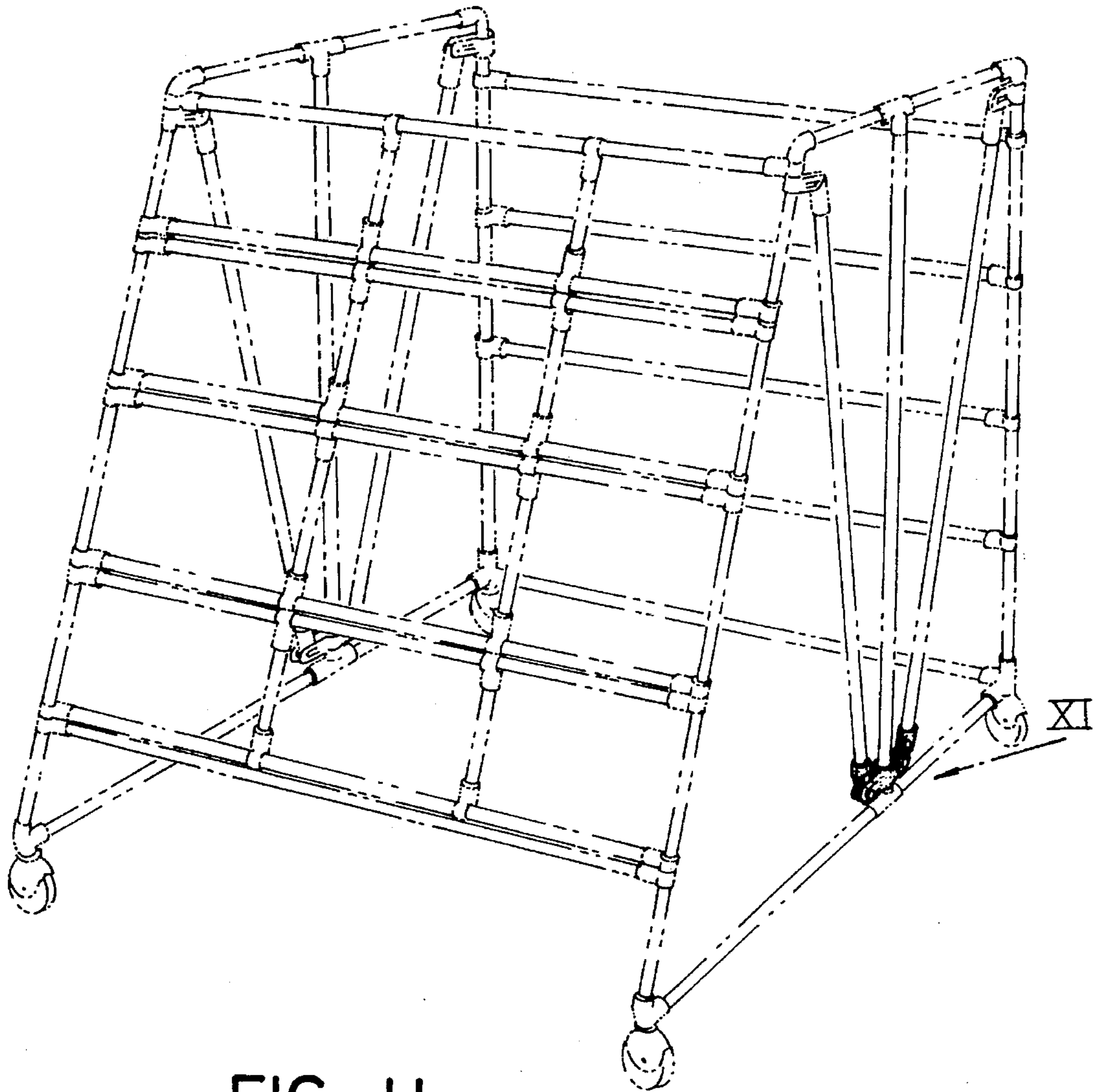


FIG. 11

