



US00D375449S

United States Patent [19]
Dahlberg

[11] **Patent Number: Des. 375,449**
[45] **Date of Patent: **Nov. 12, 1996**

[54] **BRACKET FOR A HANDLE-BAR OF A CLEARING SAW**

2,348,902 5/1944 Hart 248/316.1 X

[75] Inventor: **Goran Dahlberg**, Gränna, Sweden

Primary Examiner—Holly H. Baynham
Attorney, Agent, or Firm—Pearne, Gordon, McCoy & Granger

[73] Assignee: **Aktiebolaget Electrolux**, Stockholm, Sweden

[**] Term: **14 Years**

[57] **CLAIM**

[21] Appl. No.: **27,570**

The ornamental design for a bracket for a handle-bar of a clearing saw, as shown and described.

[22] Filed: **Aug. 24, 1994**

DESCRIPTION

[30] **Foreign Application Priority Data**

FIG. 1 is a right side elevation view of a bracket for a handle-bar of a clearing saw, showing my new design;

Feb. 25, 1994 [SE] Sweden 940445

FIG. 2 is a left side elevation view thereof;

[52] **U.S. Cl.** **D8/349**

FIG. 3 is an end elevational view thereof with the opposite end being a mirror image;

[58] **Field of Search** D8/349, 354, 380,
D8/382, 395; 248/68.1, 230, 74.2, 74.4,
229.1-229.26, 62, 316.1

FIG. 4 is a perspective view thereof; and,

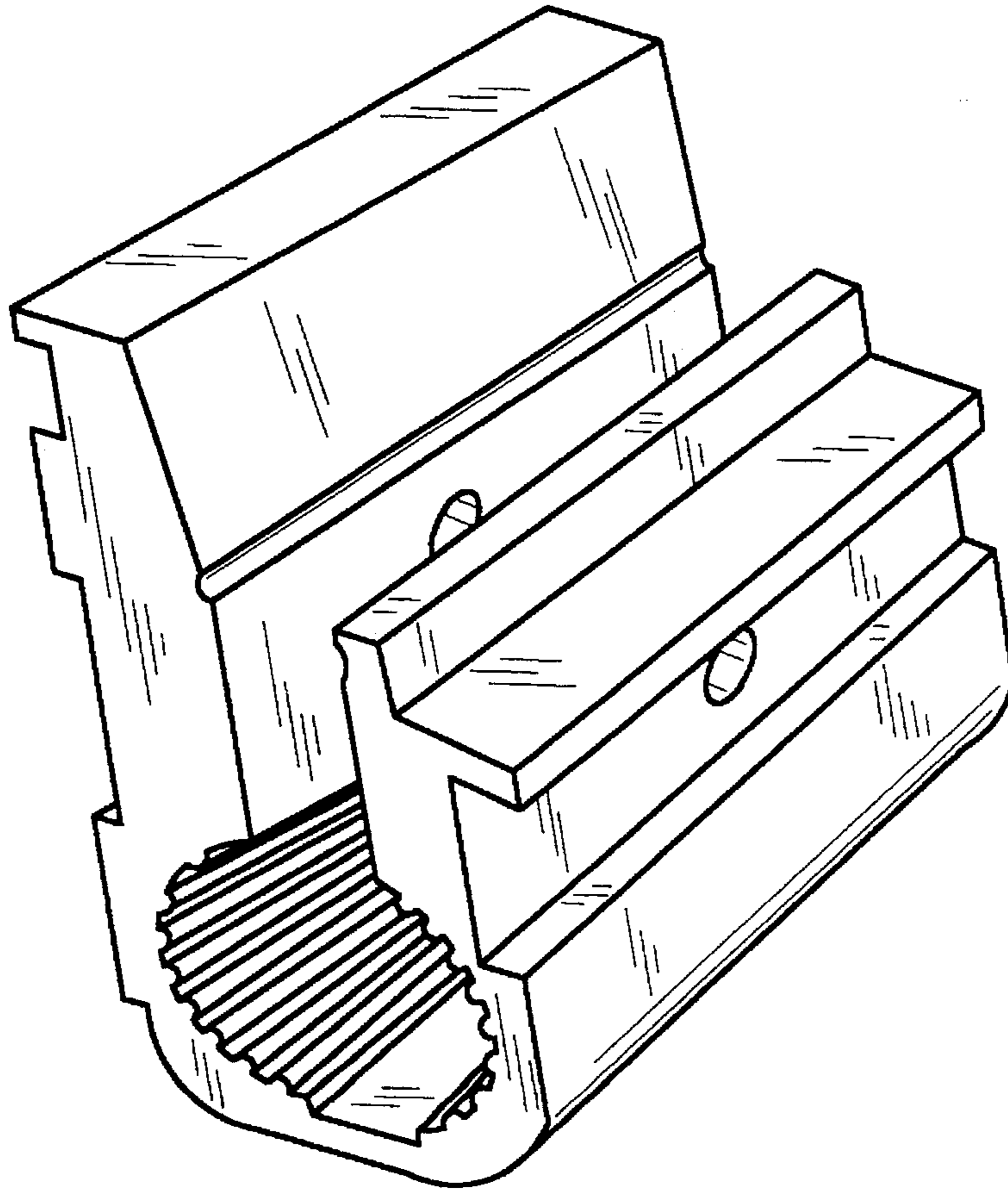
FIG. 5 is a bottom plan view thereof.

[56] **References Cited**

U.S. PATENT DOCUMENTS

2,151,768 3/1939 Humeston 248/316.1 X

1 Claim, 2 Drawing Sheets



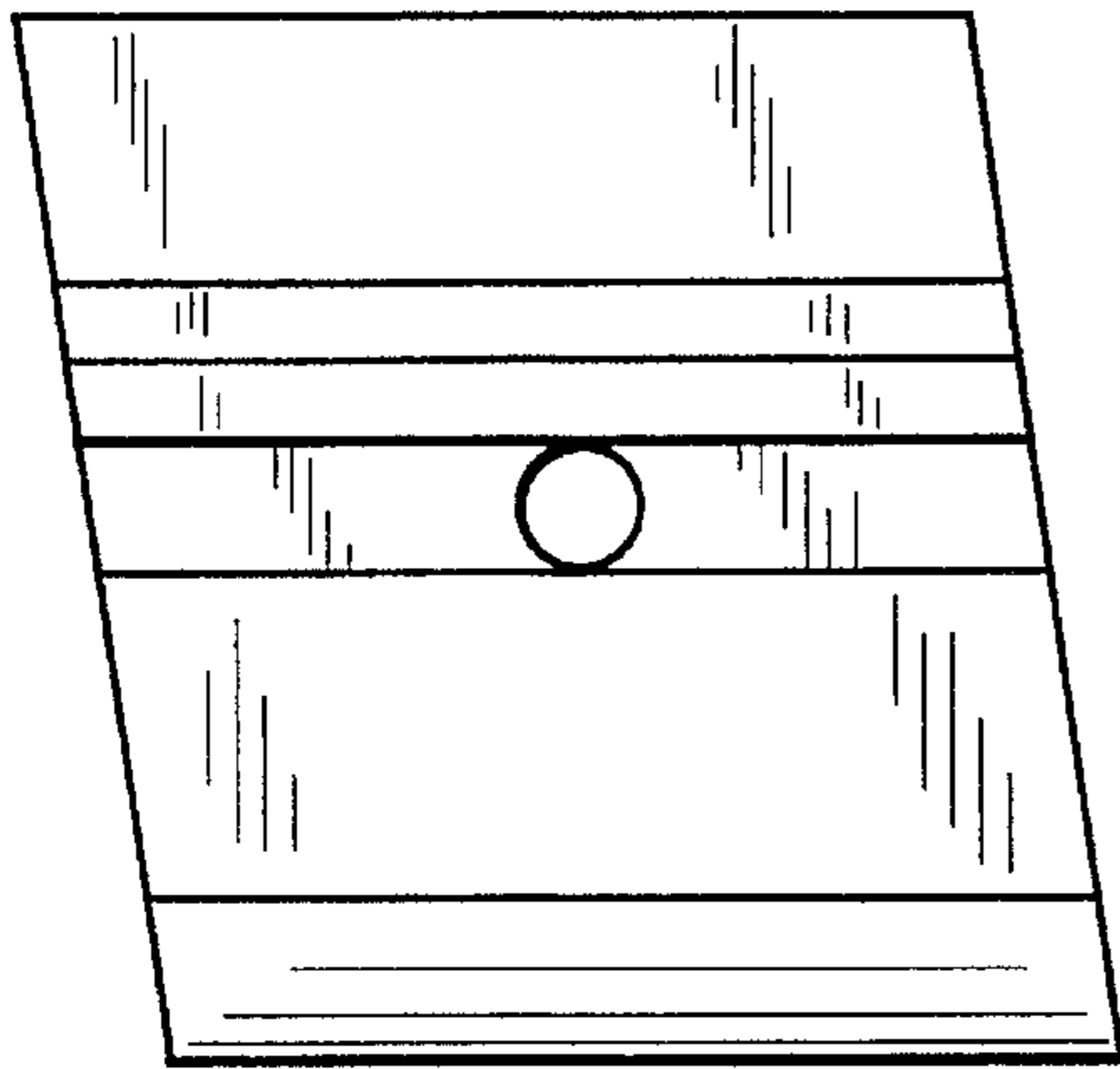


Fig. 1

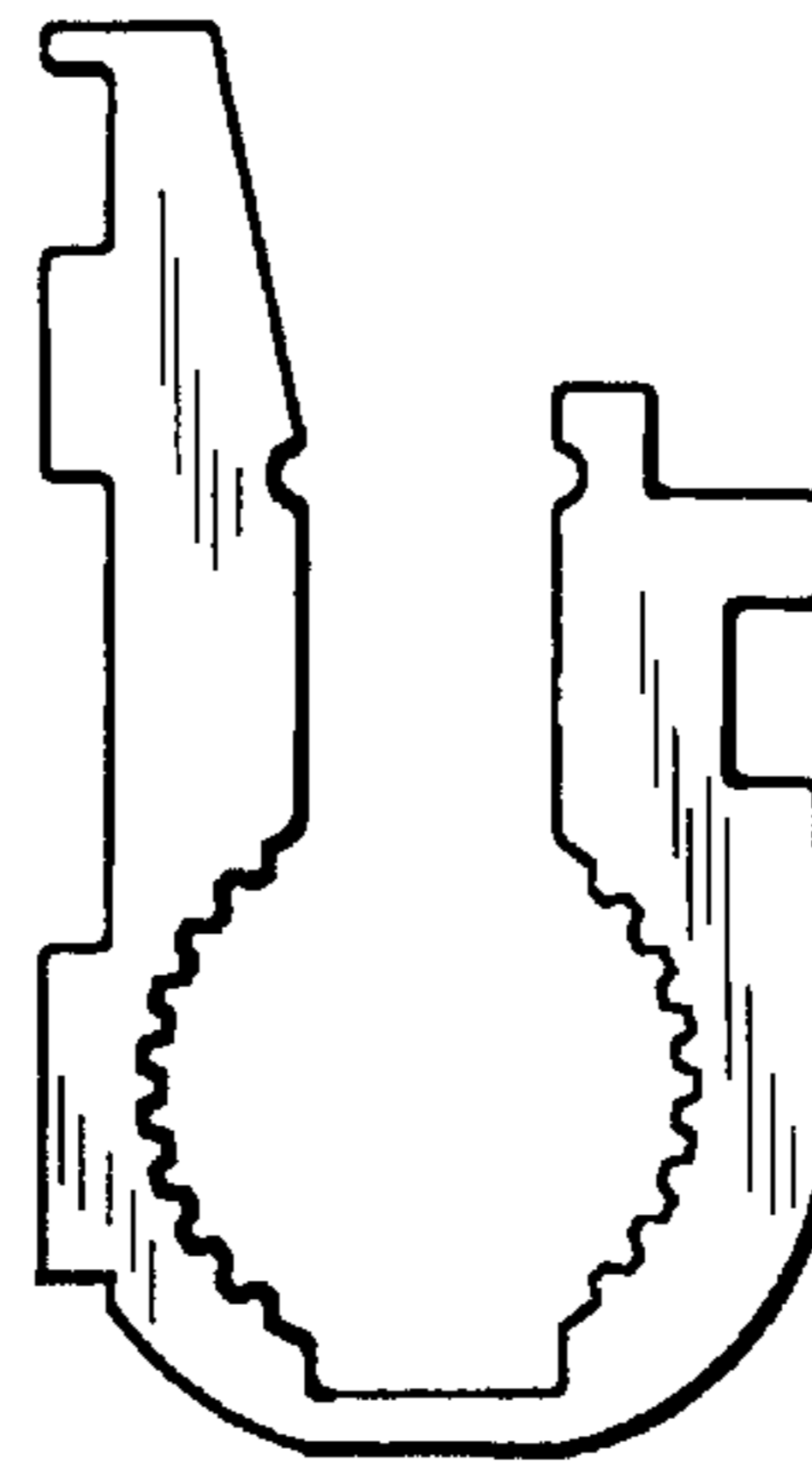


Fig. 3

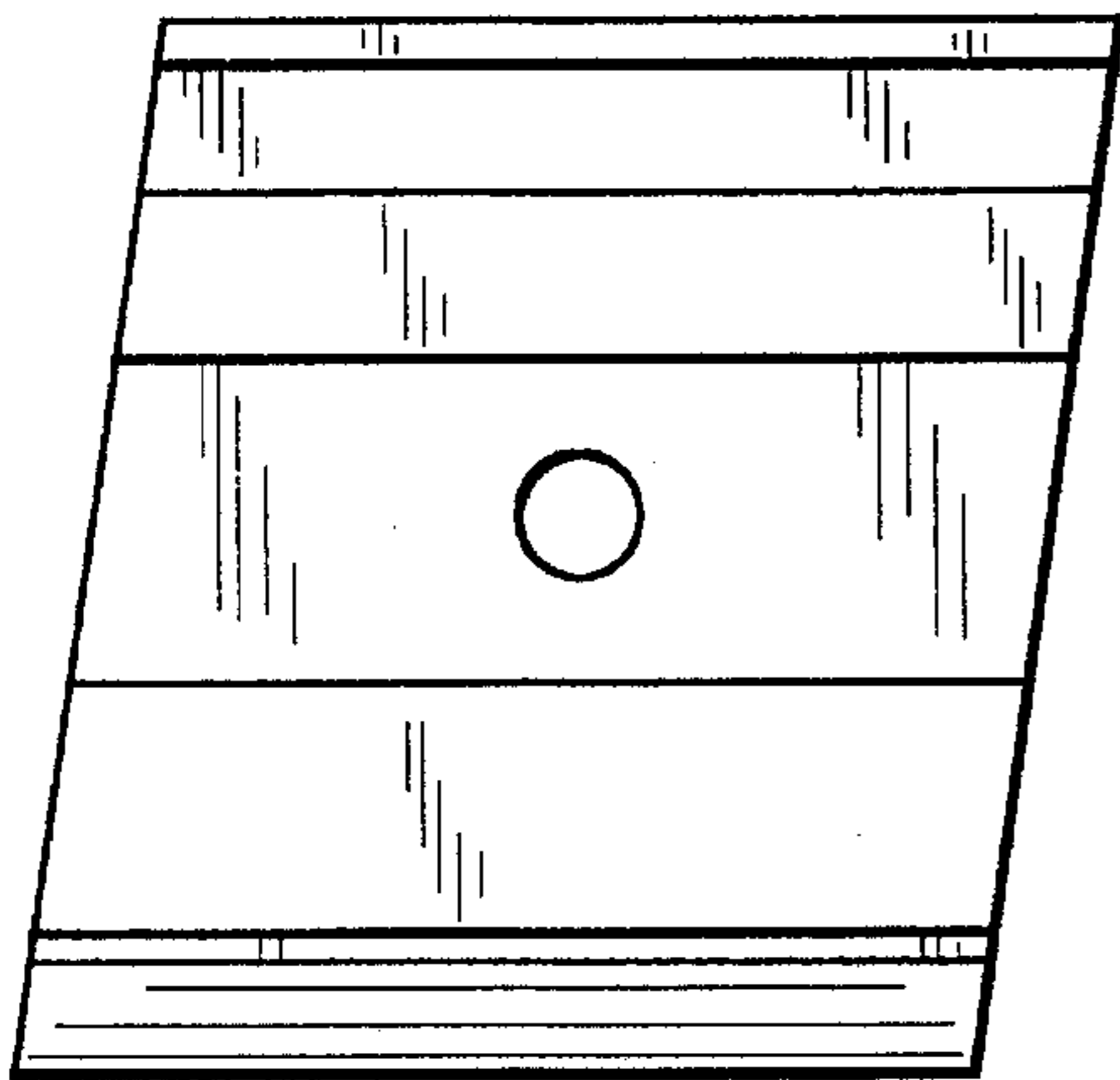


Fig. 2

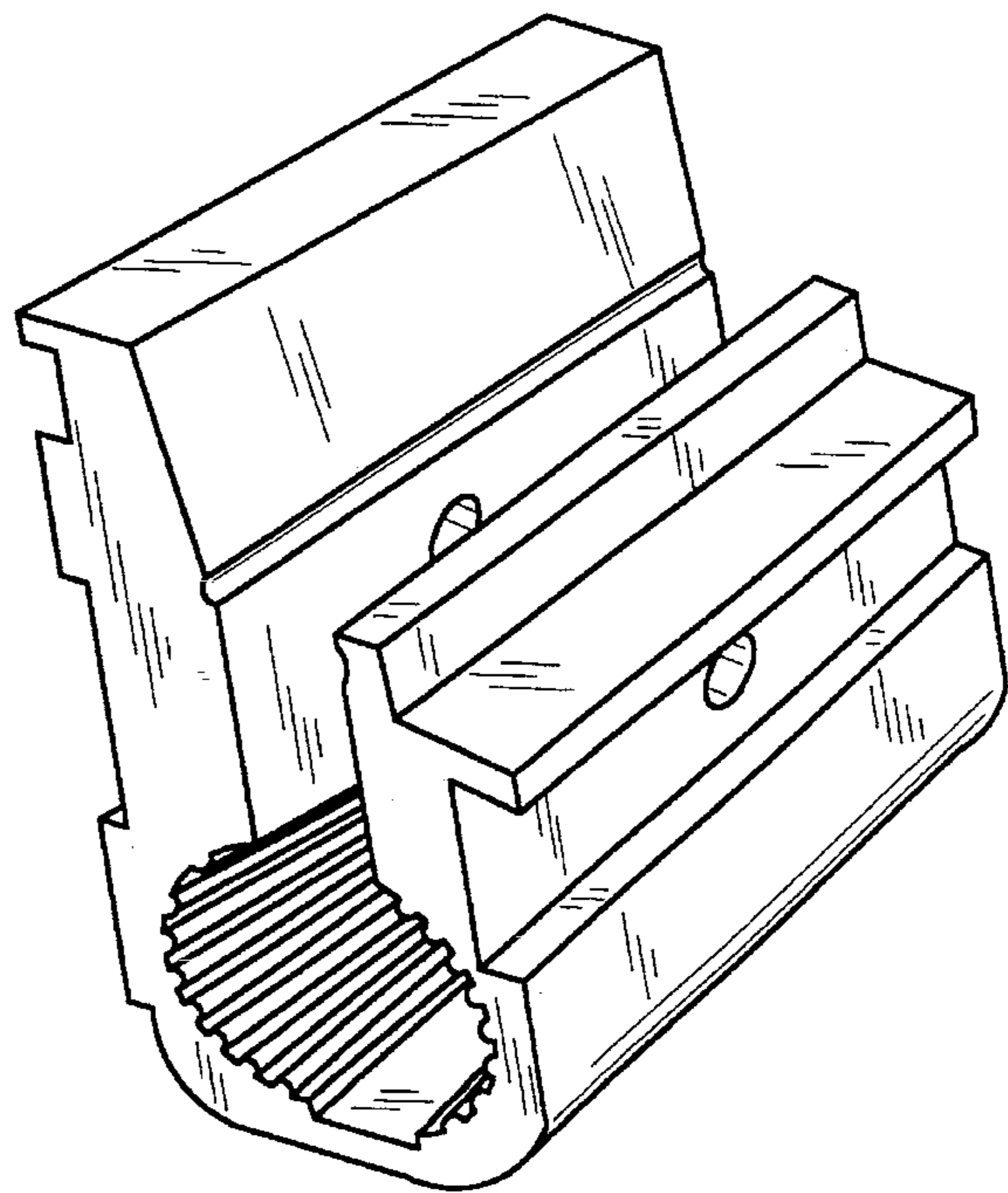


Fig. 4

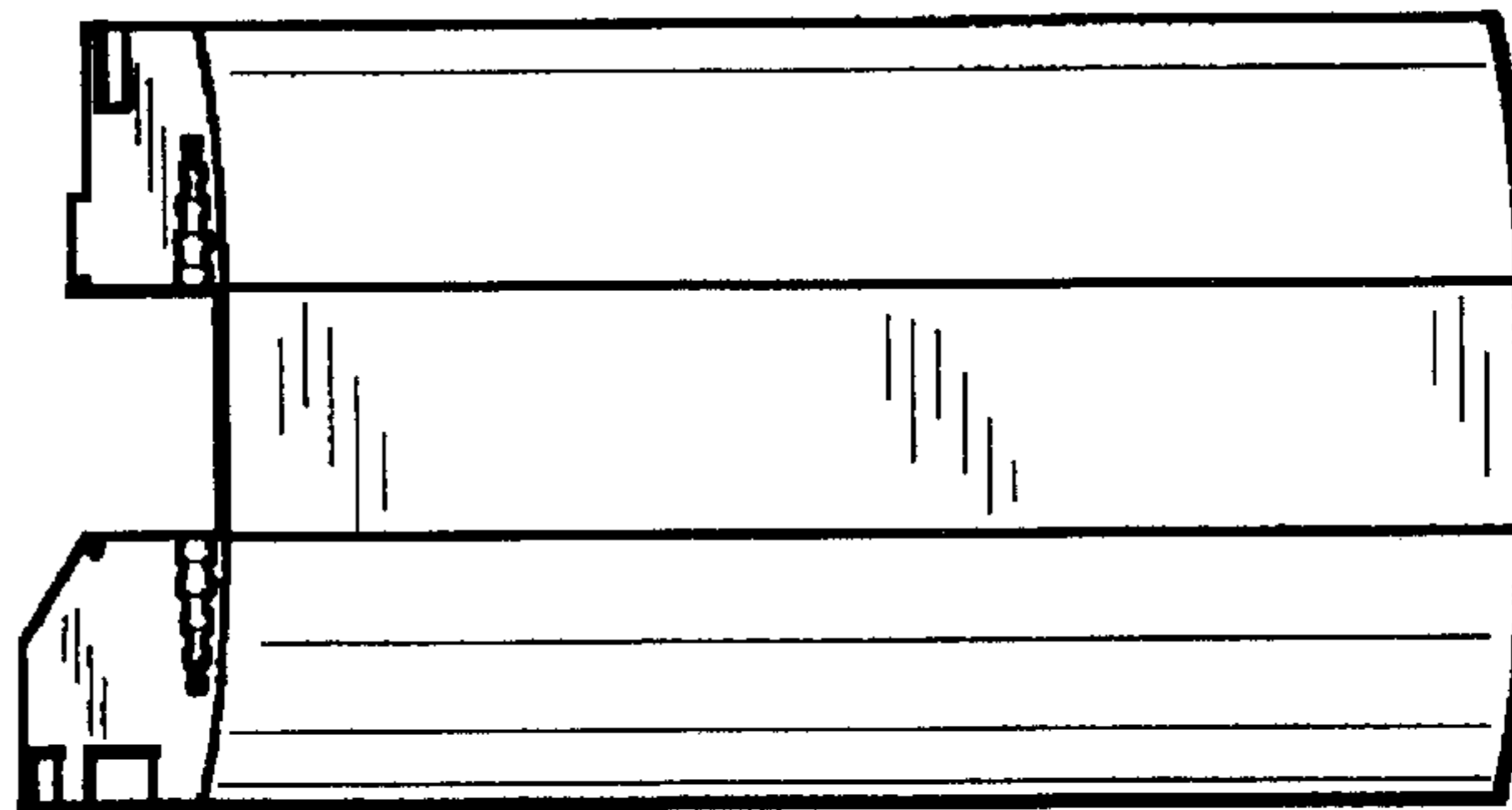


Fig.5