



US00D375448S

# United States Patent [19]

Small et al.

[11] Patent Number: Des. 375,448

[45] Date of Patent: \*\*Nov. 12, 1996

[54] PADLOCK PROTECTOR SHIELD

5,426,959 6/1995 Kies ..... 70/56

[76] Inventors: **Michael H. Small**, 4966 Red Bluff Rd.,  
Riverside, Calif. 92503; **Kevin E. Small**, 270 Main St., Cedarville, Calif.  
96104

Primary Examiner—Brian N. Vinson

[\*\*] Term: 14 Years

## [57] CLAIM

The ornamental design for a padlock protector shield, as shown and described.

[21] Appl. No.: 40,865

## DESCRIPTION

[22] Filed: Jun. 29, 1995

[52] U.S. Cl. .... D8/346

[58] Field of Search ..... D8/343, 346; 20/54-56,  
20/158, 163-164, DIG. 43, DIG. 56

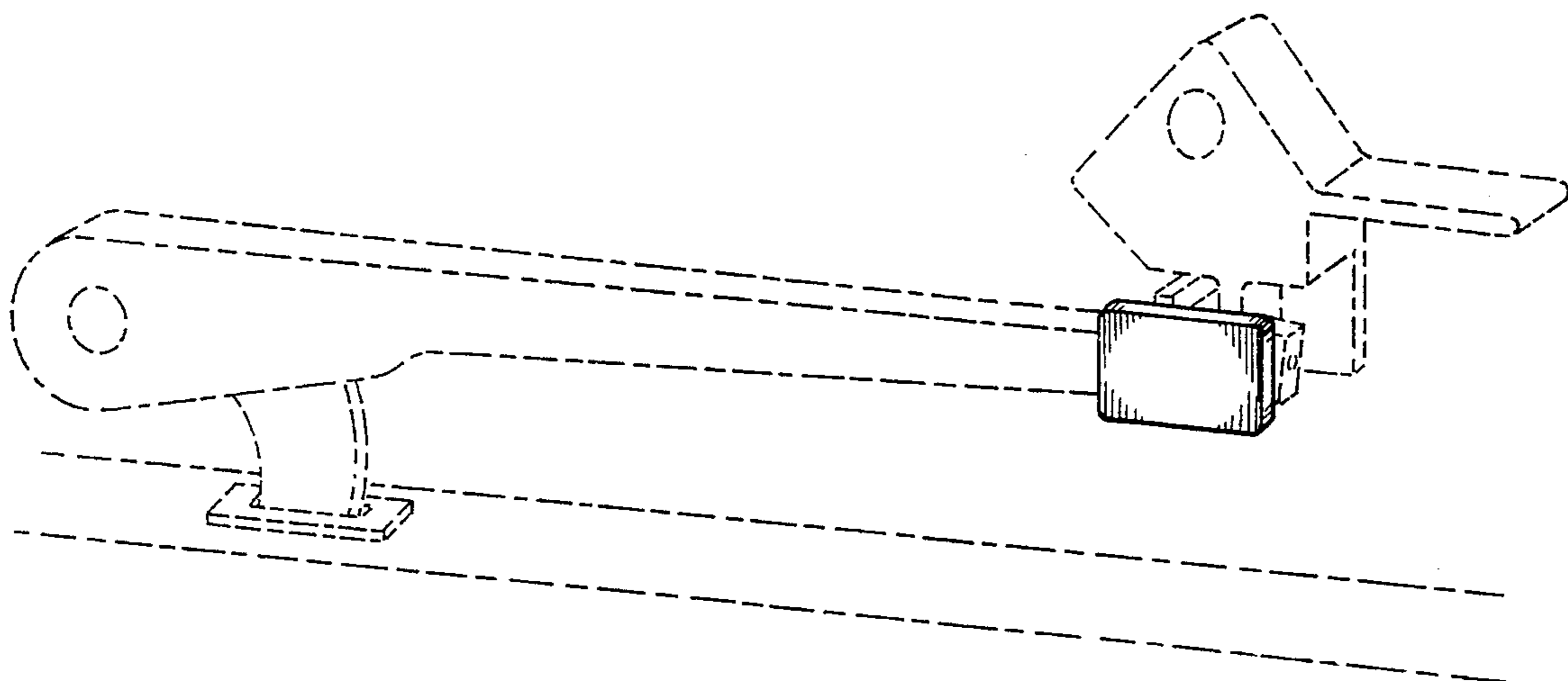
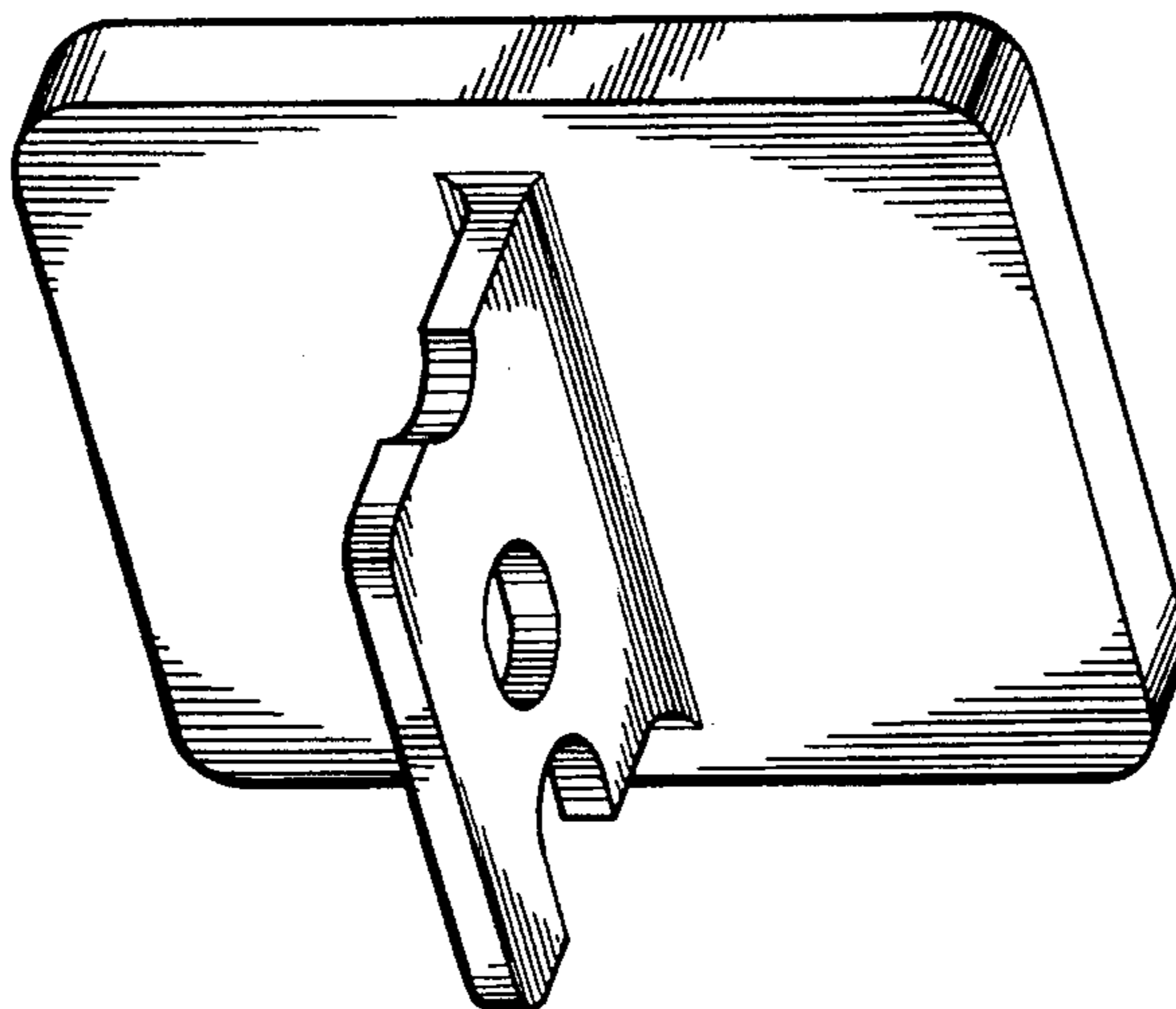
FIG. 1 is a front elevational view of a padlock protector shield showing our new design;  
FIG. 2 is a rear elevational view thereof;  
FIG. 3 is a bottom plan view thereof;  
FIG. 4 is a top plan view thereof;  
FIG. 5 is a right side elevational view thereof, the left side being a mirror image of that shown;  
FIG. 6 is a top, rear, and left side perspective view thereof;  
and,  
FIG. 7 is a reduced top, front, and right side perspective view thereof, with the broken-line disclosure of lock equipment being shown for illustrative purposes only and forming no part of the claimed design.

## [56] References Cited

### U.S. PATENT DOCUMENTS

D. 315,666	3/1991	Pearson	.....	D8/346
D. 317,557	6/1991	Poe	.....	D8/346 X
2,930,219	3/1960	Fansmith	.....	70/54 X
3,744,280	7/1973	Brown, Jr. et al.	.....	70/54
3,759,557	9/1973	Athas	.....	70/54 X
4,238,941	12/1980	Halopoff	.....	70/56 X

1 Claim, 4 Drawing Sheets



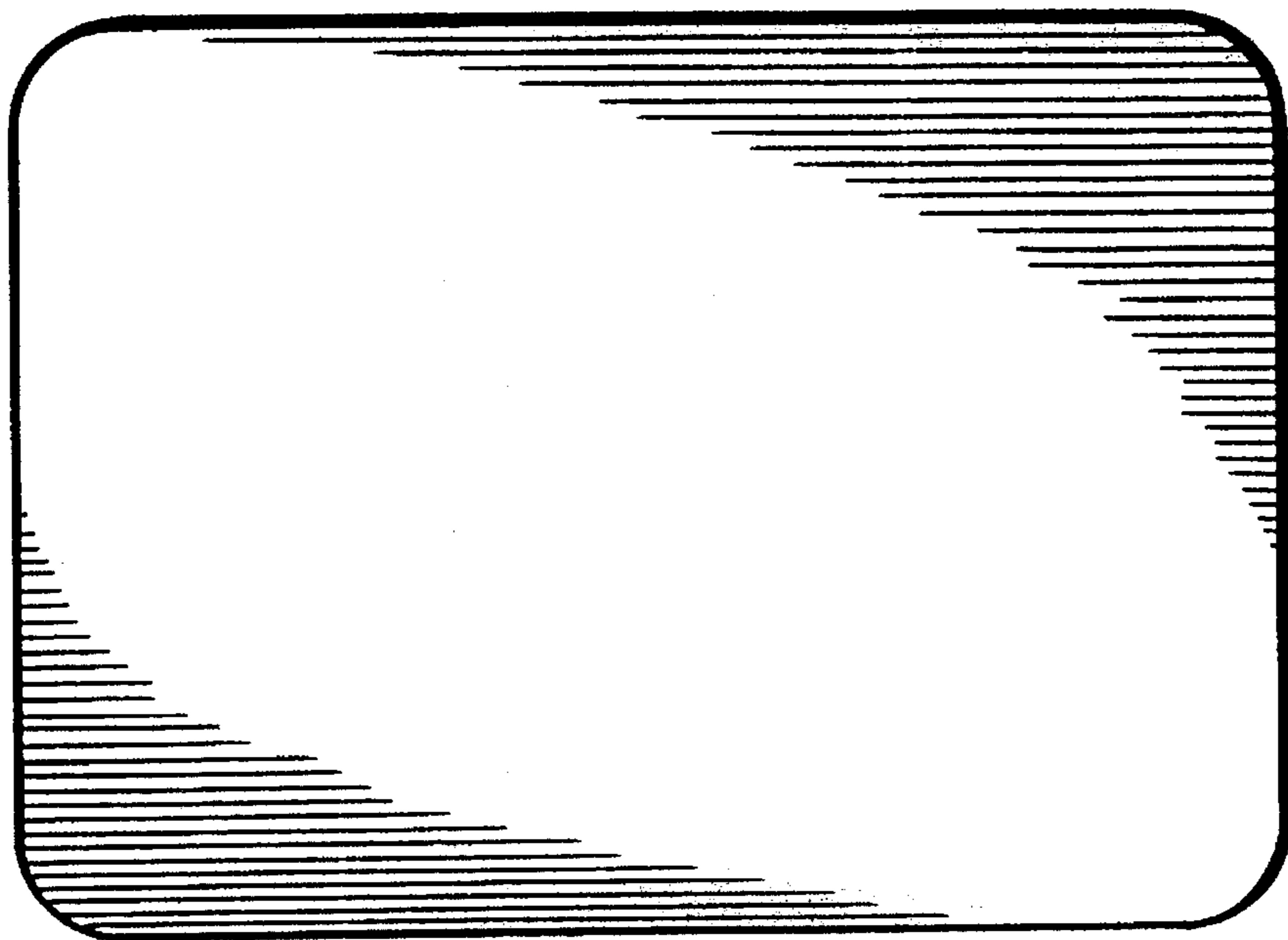


FIG. 1

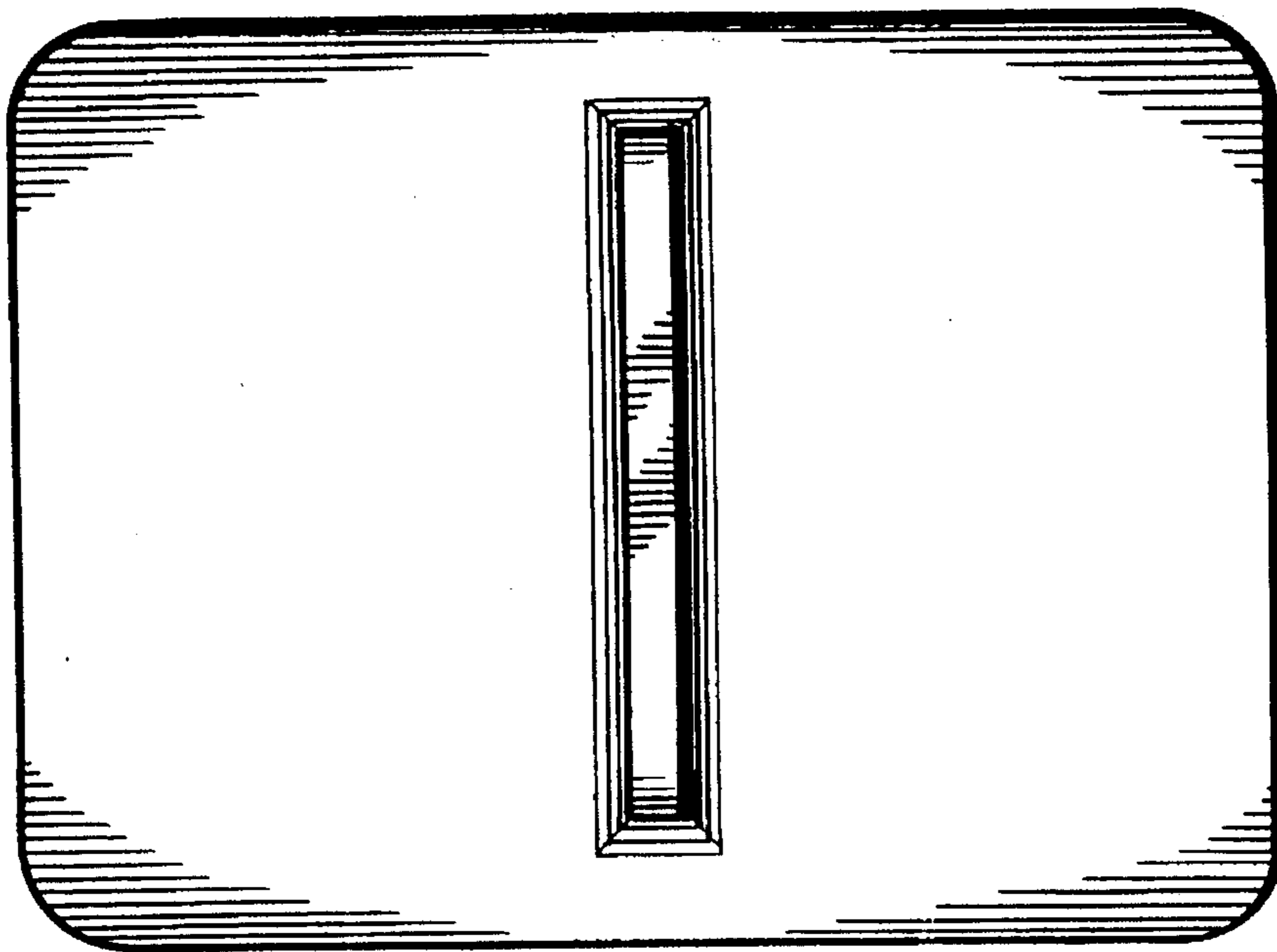


FIG. 2

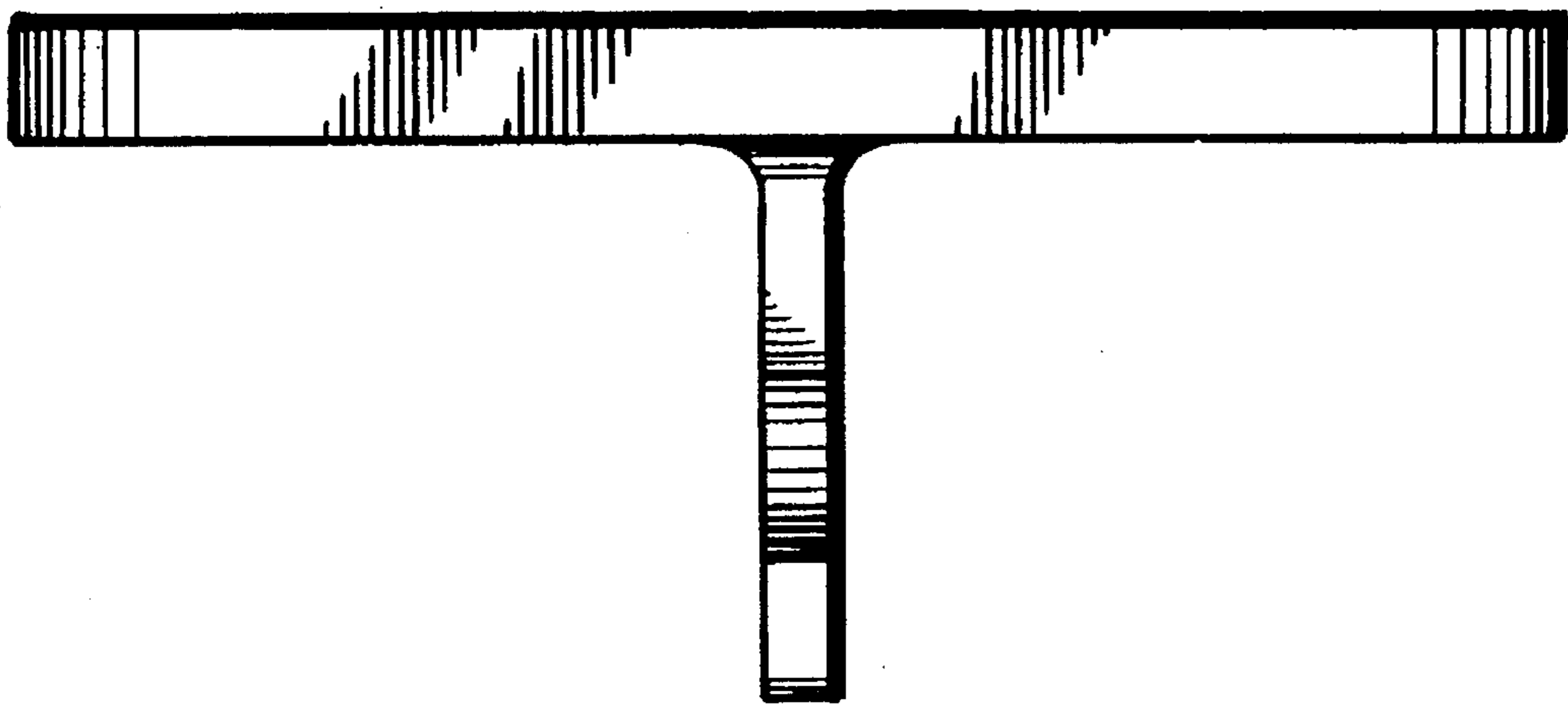


FIG. 4

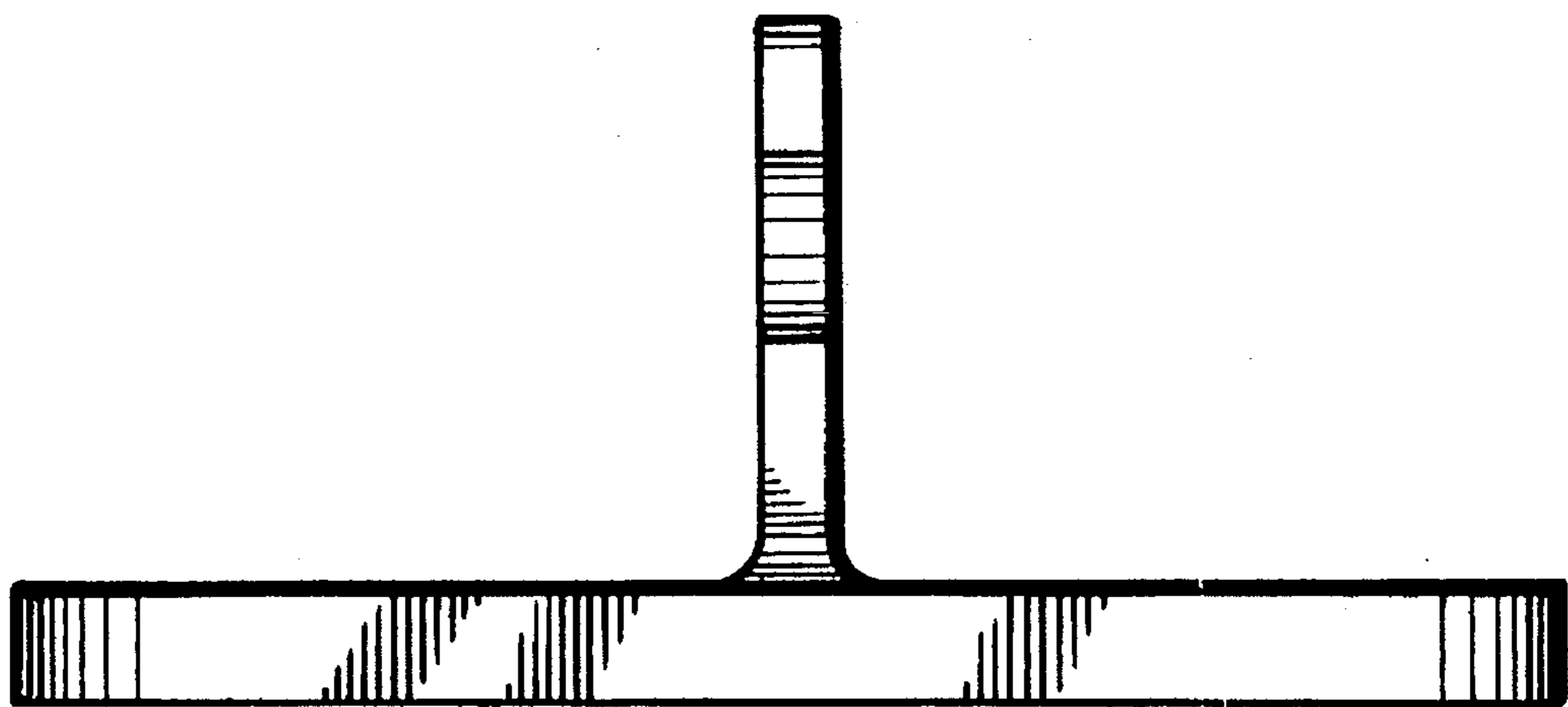


FIG. 3

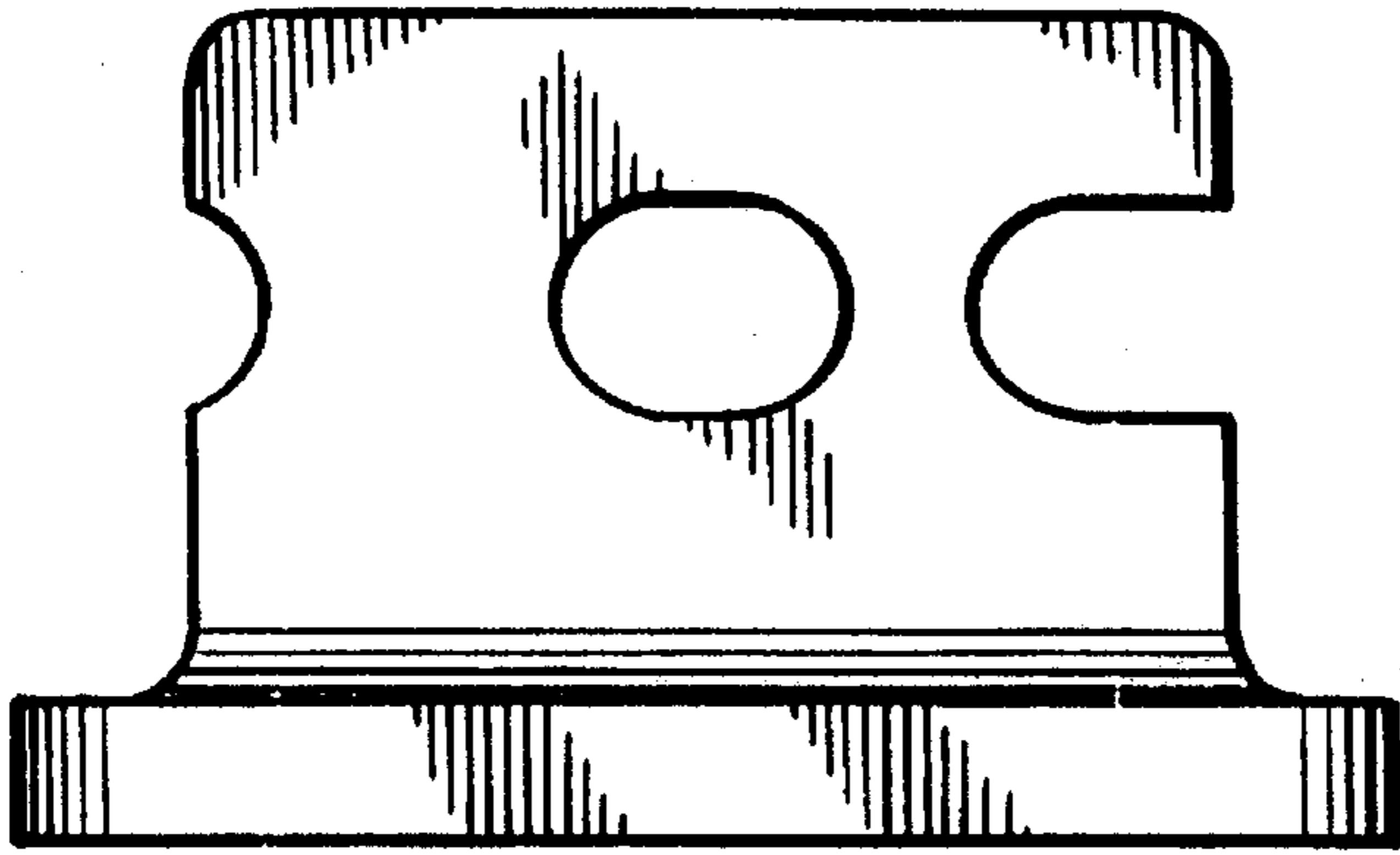


FIG. 5

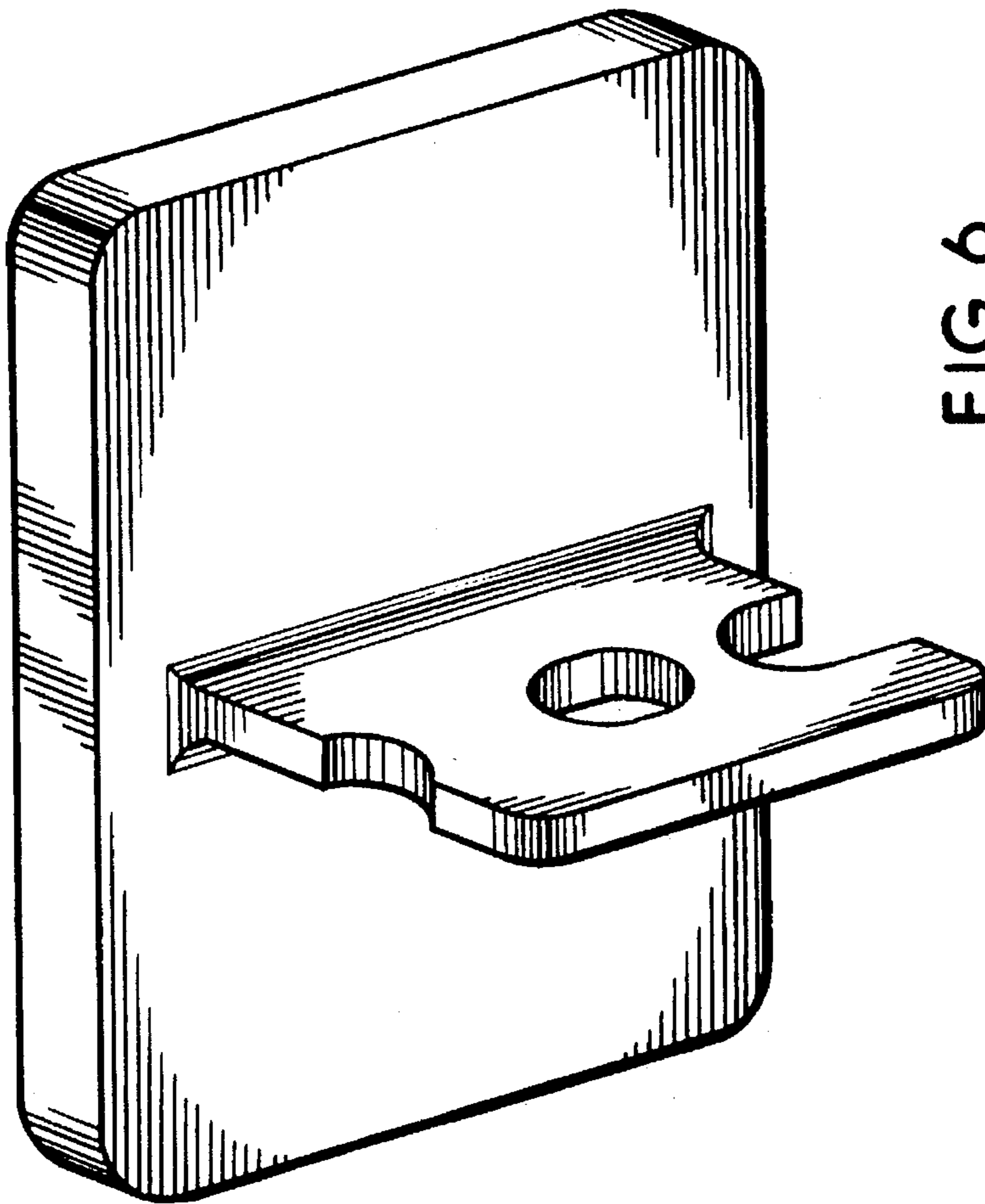


FIG. 6

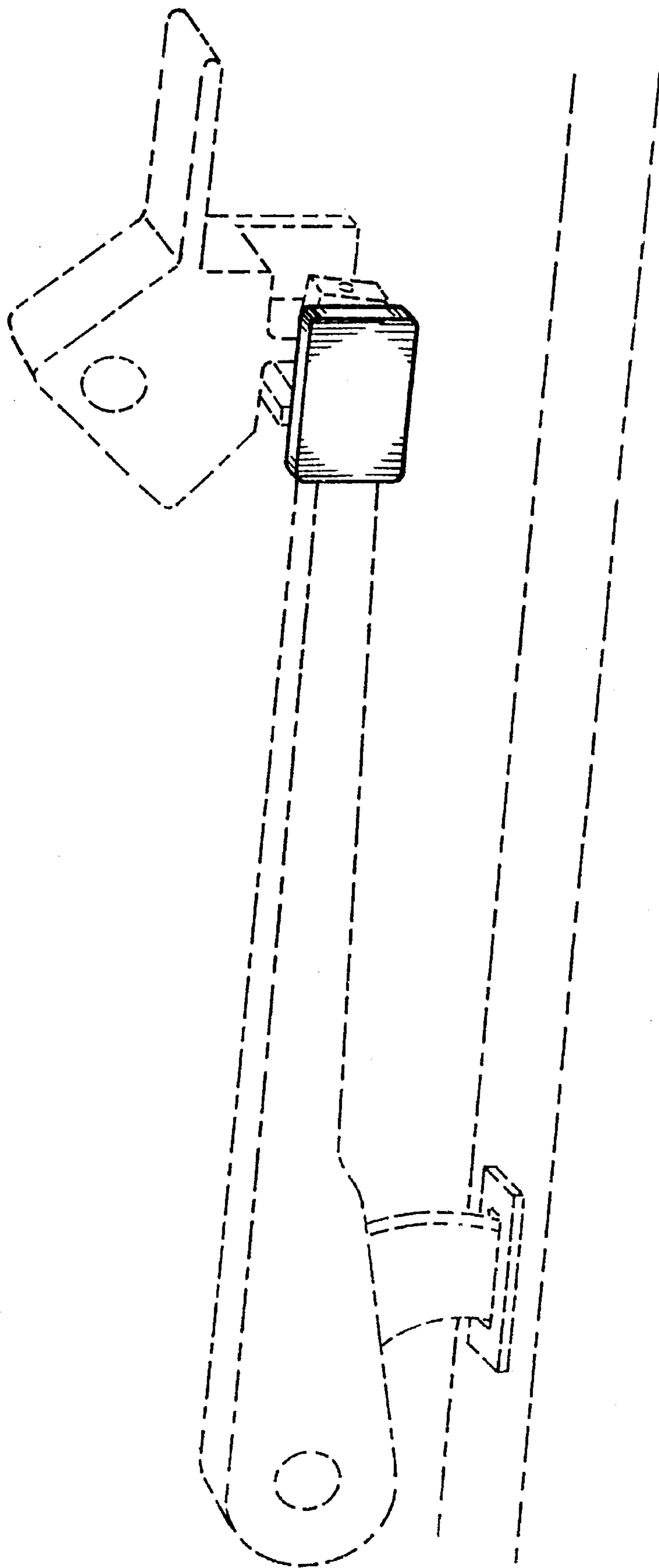


FIG. 7