



US00D375445S

United States Patent [19]

Harrison et al.

[11] Patent Number: **Des. 375,445**

[45] Date of Patent: ****Nov. 12, 1996**

[54] **FOLDABLE HANDLE FOR A WINDOW OPERATOR**

D. 360,357 7/1995 Peterson et al. D8/309
1,956,476 4/1934 Rund 49/324

[75] Inventors: **Peter J. Harrison**, Darlaston; **Arthur D. Tippin**, Edgbaston, both of England

Primary Examiner—B. J. Bullock
Attorney, Agent, or Firm—Larson and Taylor

[73] Assignee: **Hardware & Systems Patents Limited**, England

[57] **CLAIM**

[**] Term: **14 Years**

The ornamental design for a foldable handle for a window operator, as shown and described.

[21] Appl. No.: **34,232**

DESCRIPTION

[22] Filed: **Jan. 31, 1995**

[30] **Foreign Application Priority Data**

FIG. 1 is a perspective view of the foldable handle from above;
FIG. 2 is a plan view of the foldable handle;
FIG. 3 is an elevation of the right end of the foldable handle;
FIG. 4 is a front elevation of the foldable handle;
FIG. 5 is an elevation of the left end of the foldable handle;
FIG. 6 is a rear elevation of the foldable handle, the broken line showing being for illustrative purposes only and forming no part of the claimed design;
FIG. 7 is an underneath plan view of the foldable handle;
FIG. 8 is a front perspective view of the foldable handle from above with a part in an alternative position; and,
FIG. 9 is an elevation taken in the direction of arrow 9 in FIG. 8.

Aug. 19, 1994 [GB] United Kingdom 2041157

[52] **U.S. Cl.** **D8/309**; D8/400

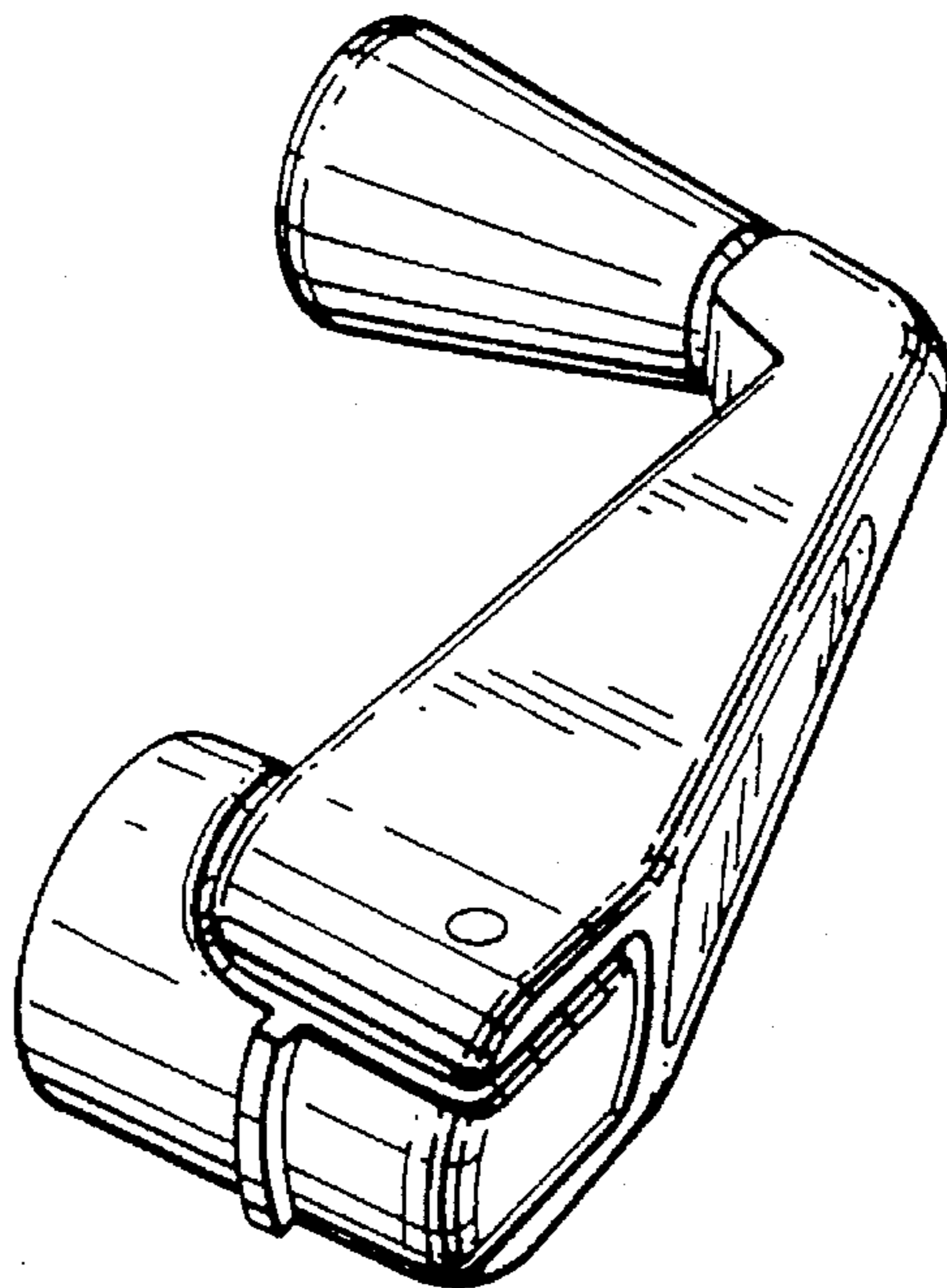
[58] **Field of Search** D8/300, 307, 308, D8/400, 309; 16/100 R; 74/523, 524; 49/246, 324, 353, 363, 359, 460

[56] **References Cited**

U.S. PATENT DOCUMENTS

D. 160,682 10/1950 Zarbock D8/309
D. 198,202 5/1964 Morgan D8/400

1 Claim, 2 Drawing Sheets



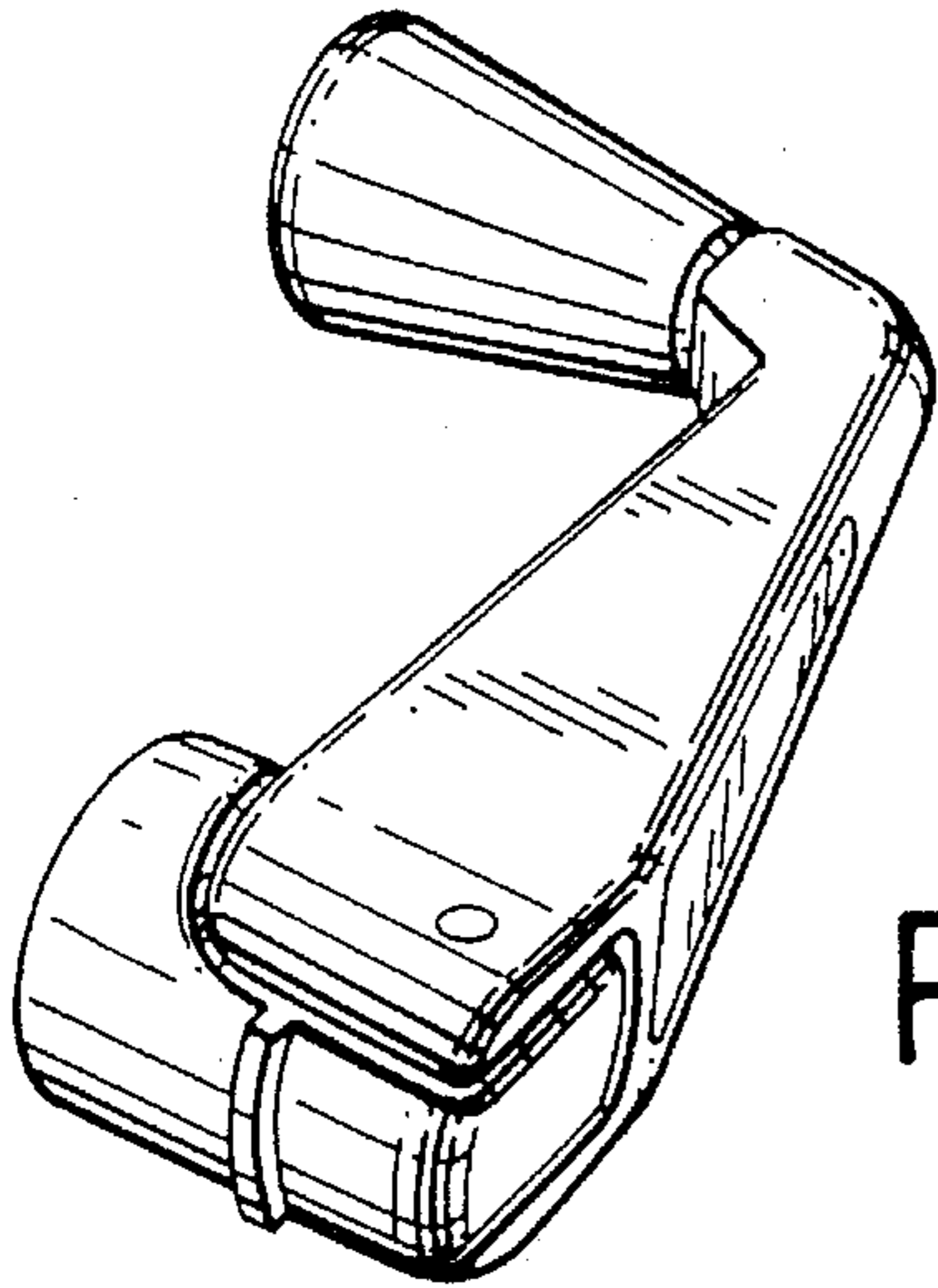


FIG. 1.

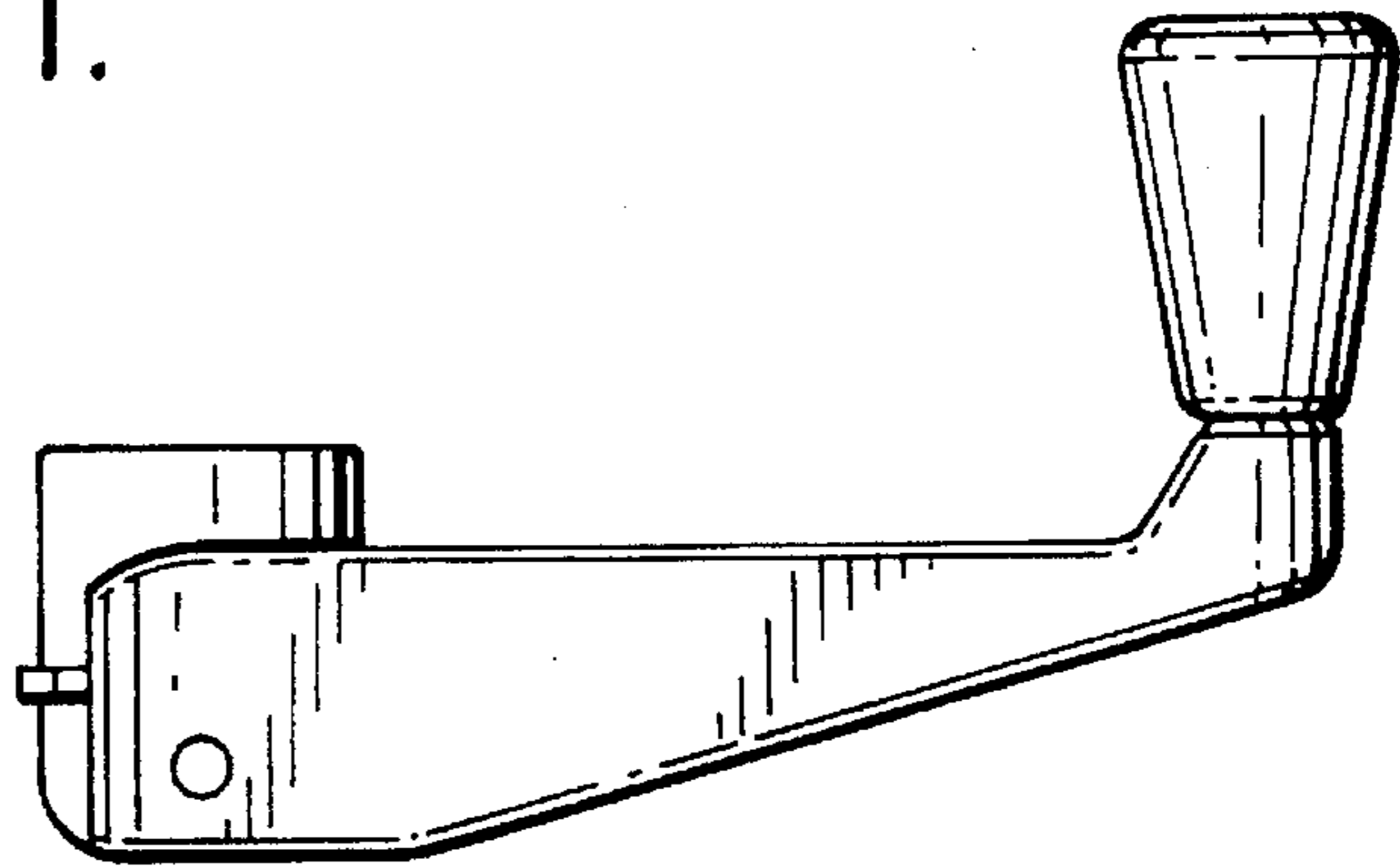


FIG. 2.

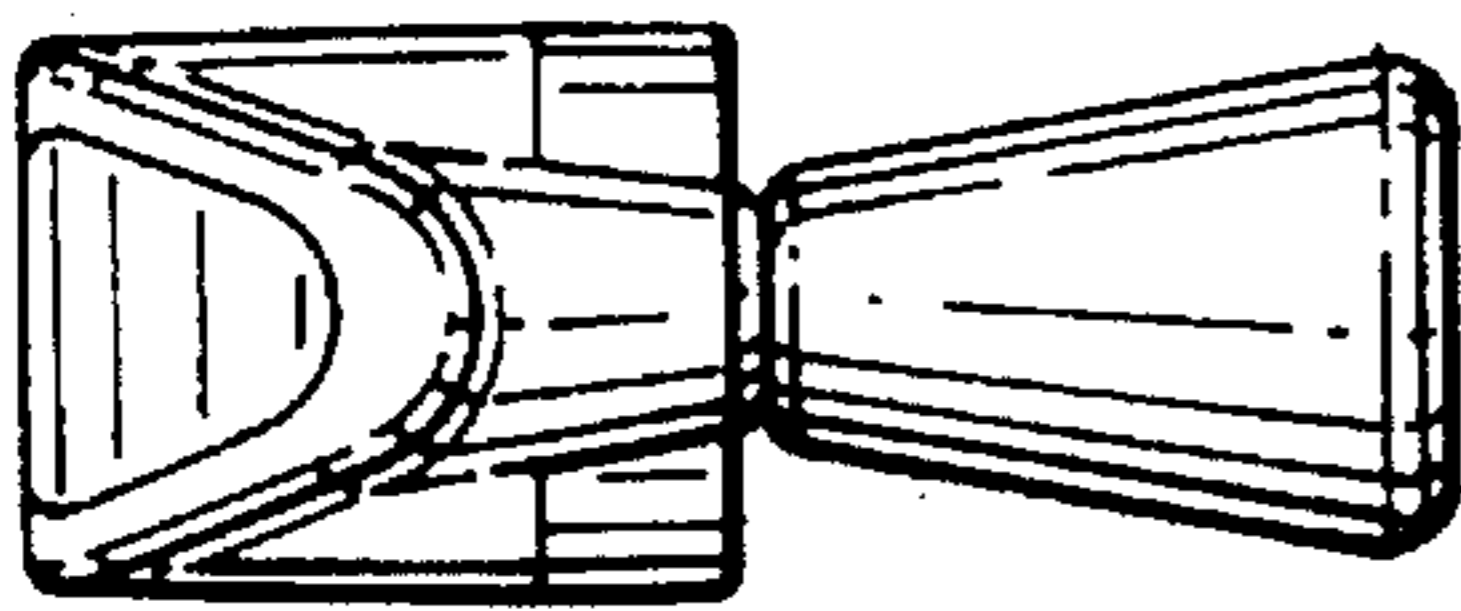


FIG. 3.

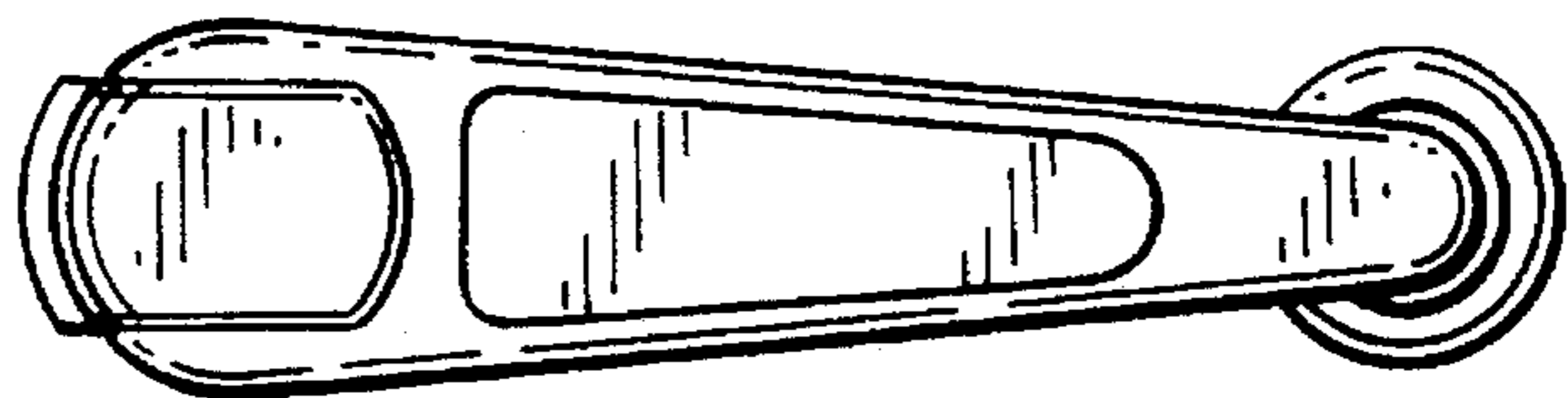


FIG. 4.

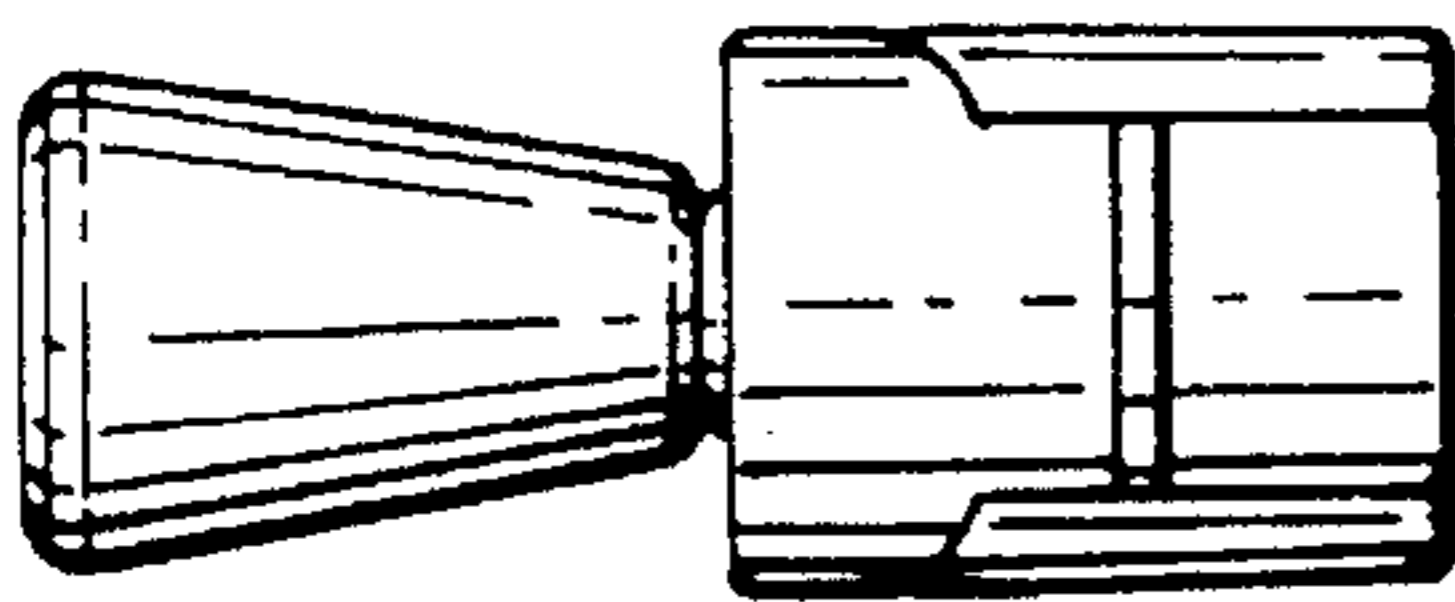


FIG. 5.

FIG. 6.

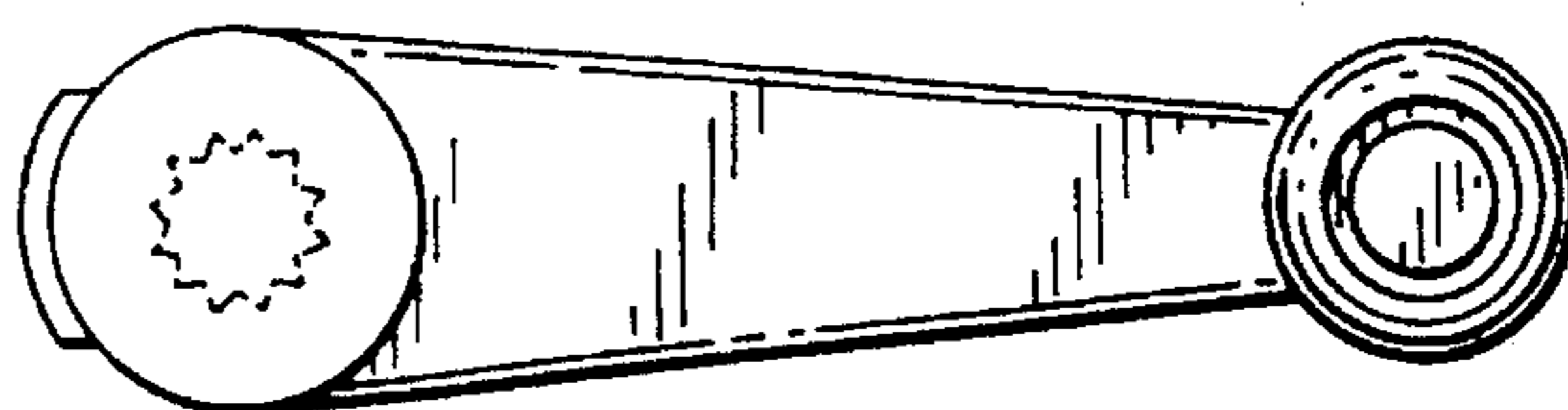


FIG. 7.

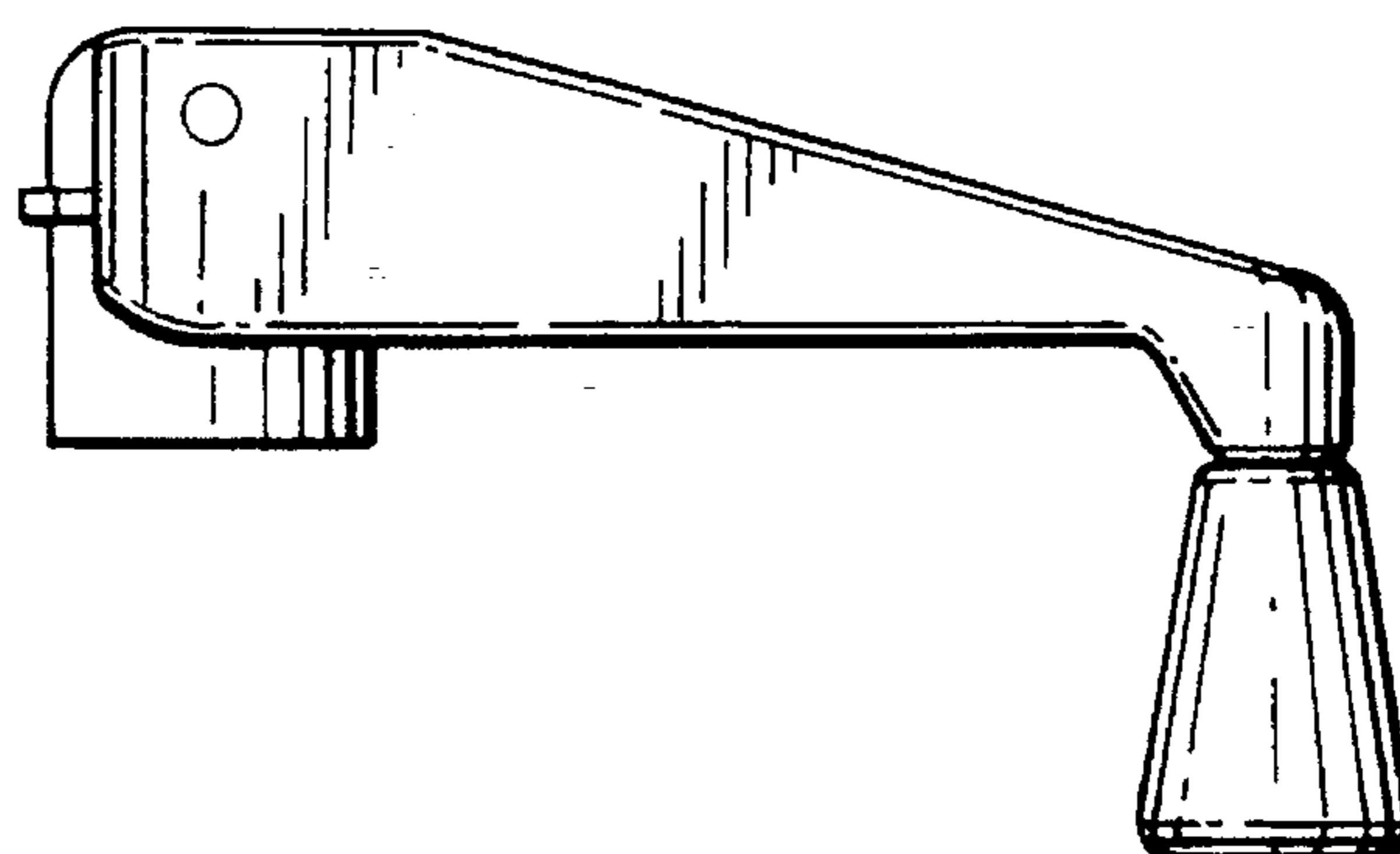


FIG. 8.

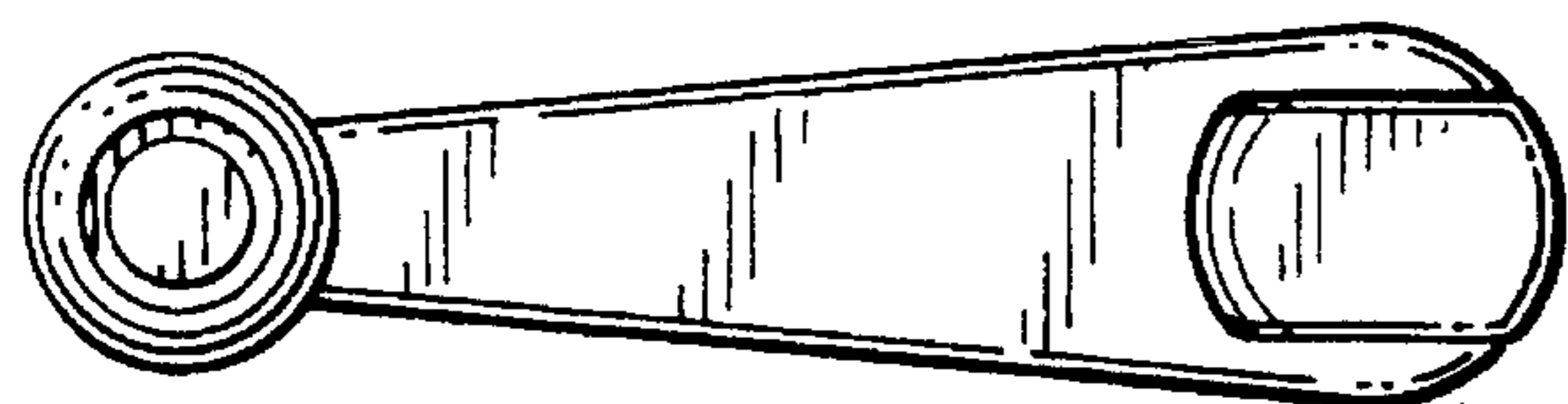
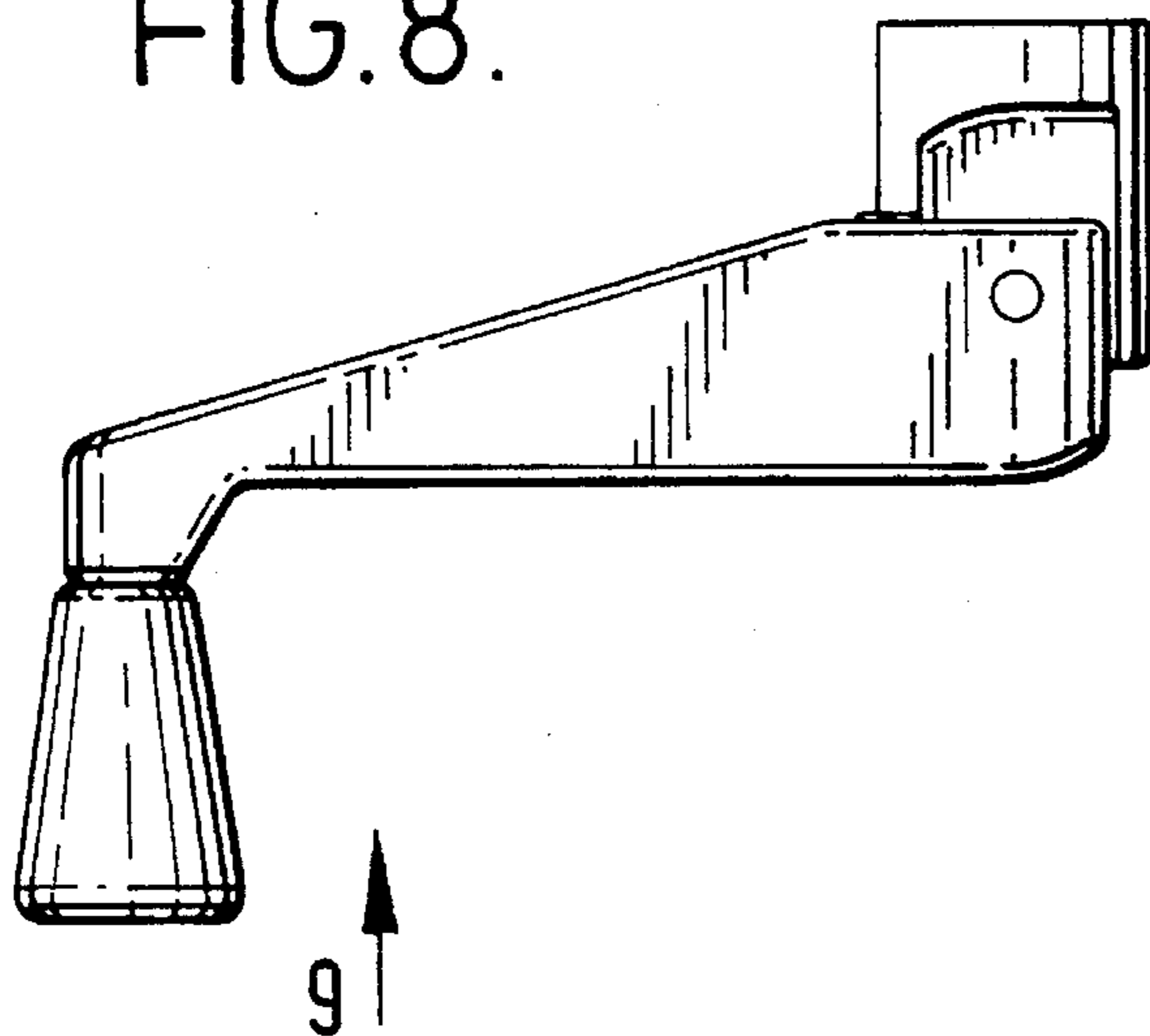


FIG. 9.