



US00D375444S

# United States Patent [19]

[11] Patent Number: **Des. 375,444**

McElwee

[45] Date of Patent: **\*\*Nov. 12, 1996**

[54] **EXTENSION HANDLE FOR A RECLINER**

*Primary Examiner*—Terry A. Wallace  
*Assistant Examiner*—Nanda Bondade

[76] Inventor: **John F. McElwee**, 108-12TH Ave.,  
Glendora, N.J. 08029

[57] **CLAIM**

[\*\*] Term: **14 Years**

The ornamental design for extension handle for a recliner, as shown and described.

[21] Appl. No.: **8,288**

### DESCRIPTION

[22] Filed: **Sep. 21, 1993**

[52] U.S. Cl. .... **D8/300; D8/321**

[58] Field of Search ..... **D6/367, 491, 500;**  
**D8/300, 301, 321; 297/183, DIG. 7**

FIG. 1 is a front, top and left side perspective view of an extension handle for a recliner showing my new design; FIG. 2 is a bottom plan view thereof; the top plan being a mirror image;

[56] **References Cited**

#### U.S. PATENT DOCUMENTS

D. 252,786	9/1979	Doerner	.....	D6/500
D. 284,638	7/1986	Aulenti	.....	D8/308
D. 300,657	4/1989	Simpkins et al.	.....	D6/367 X
D. 337,443	7/1993	Richards	.....	D6/367
4,332,417	6/1982	Mizelle	.....	297/DIG. 7

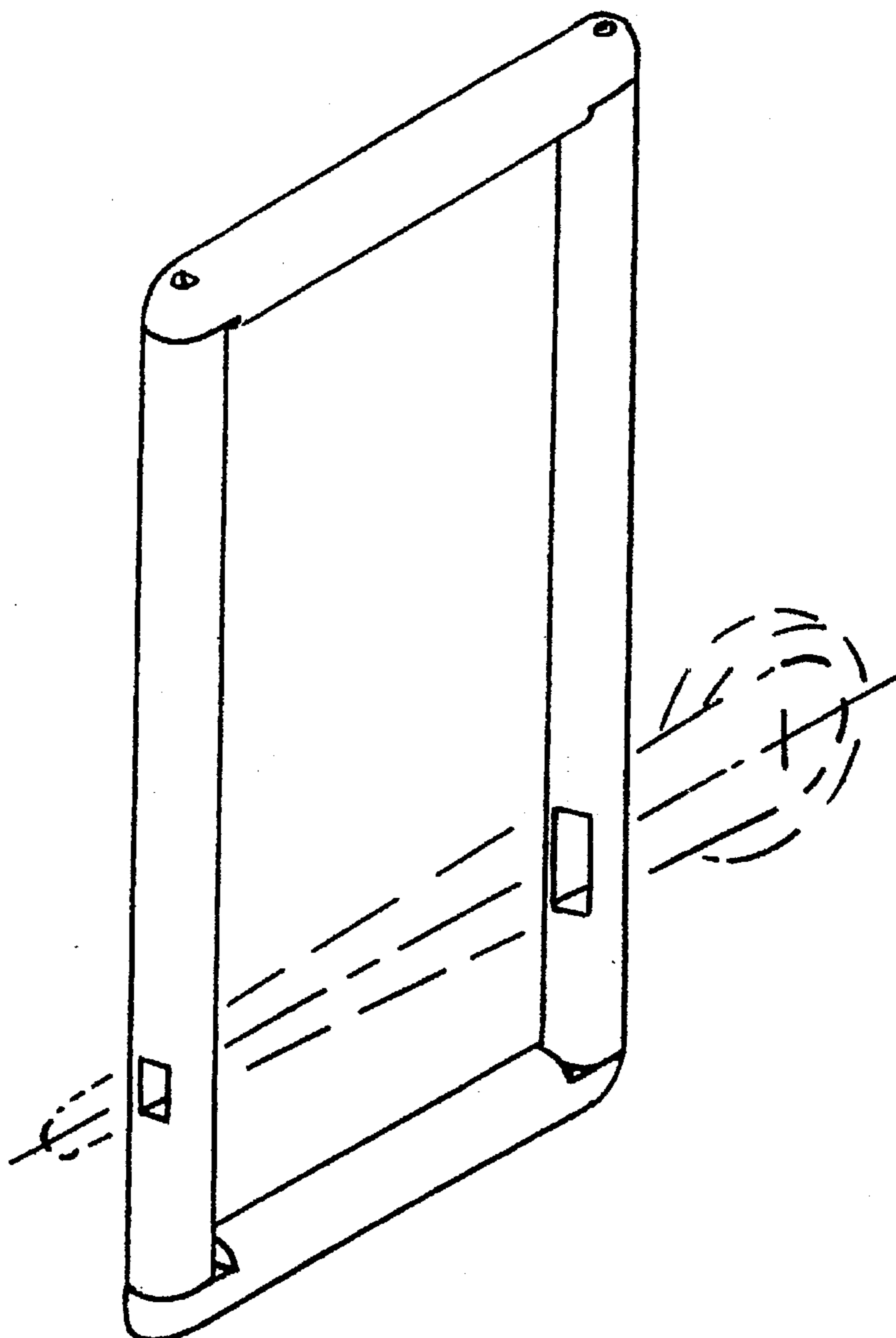
FIG. 3 is a right side elevational view thereof; and,

FIG. 4 is a front elevational view thereof, the rear elevational view being a mirror image;

FIG. 2-4 are on an enlarged scale.

Broken line showing of the handle attaching to the recliner is for illustrative purposes only and forms no part of the claimed design.

**1 Claim, 2 Drawing Sheets**



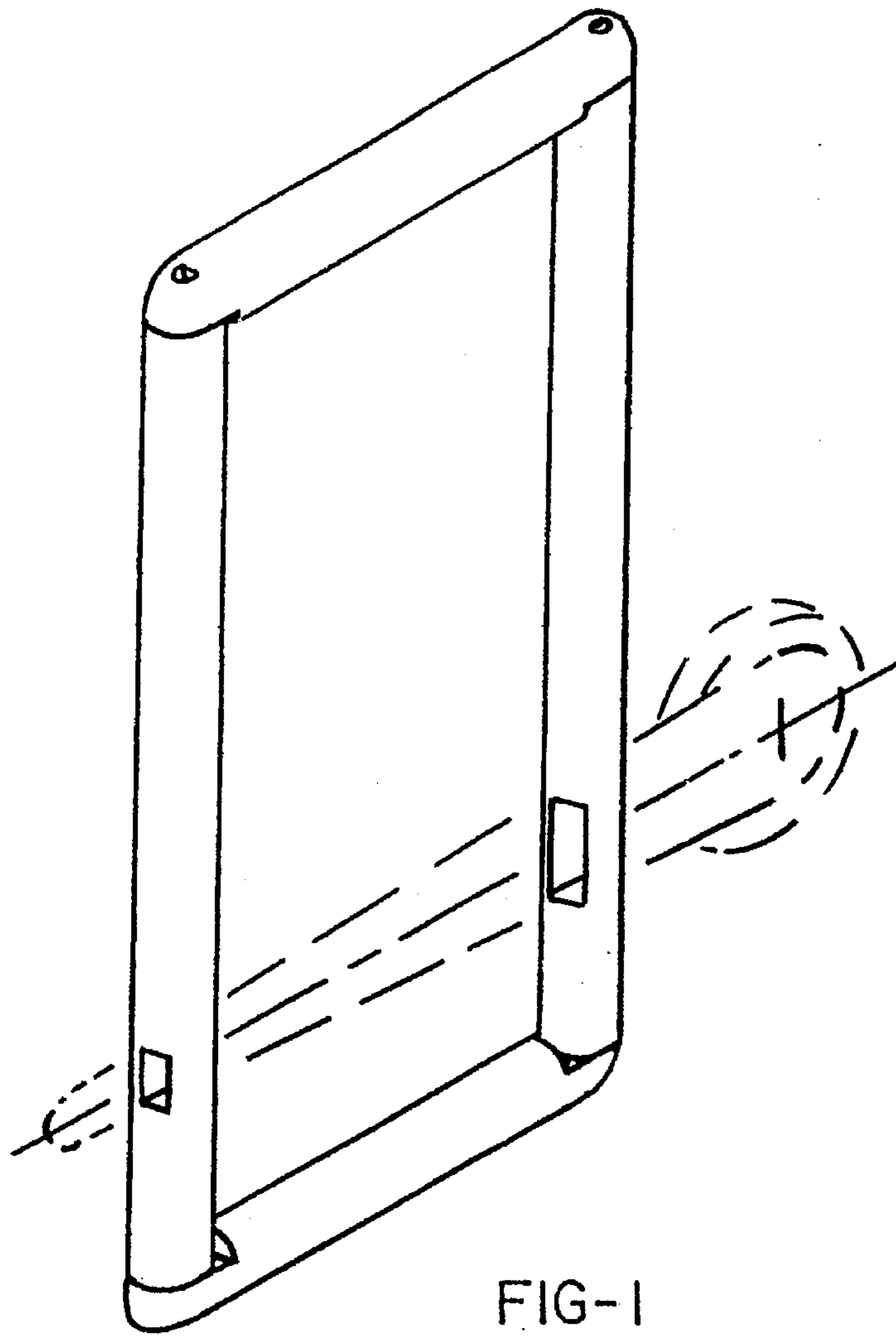


FIG-1

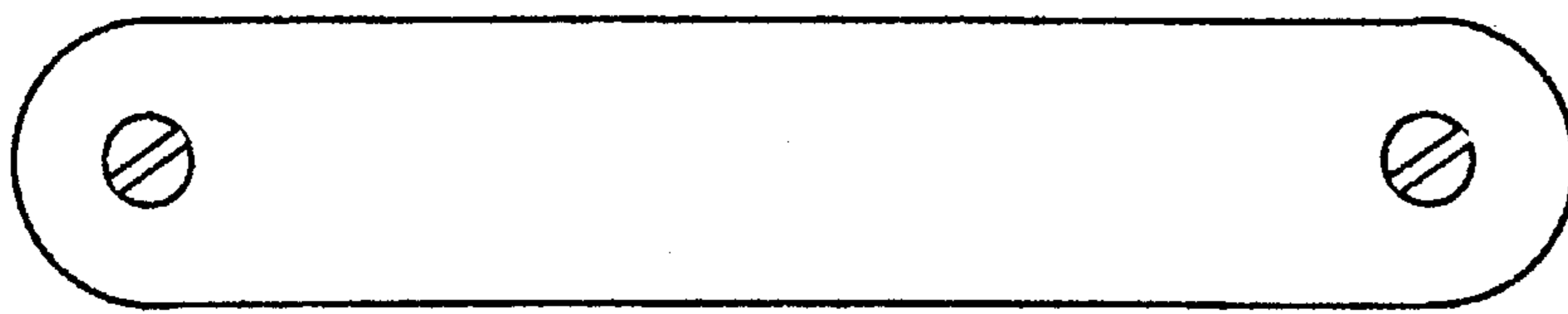


FIG-2

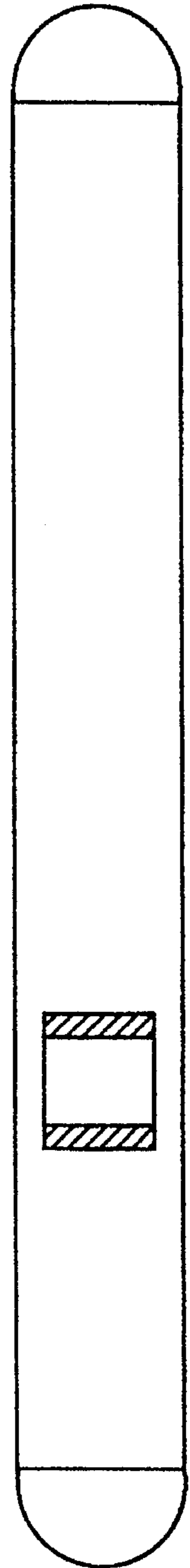


FIG-3

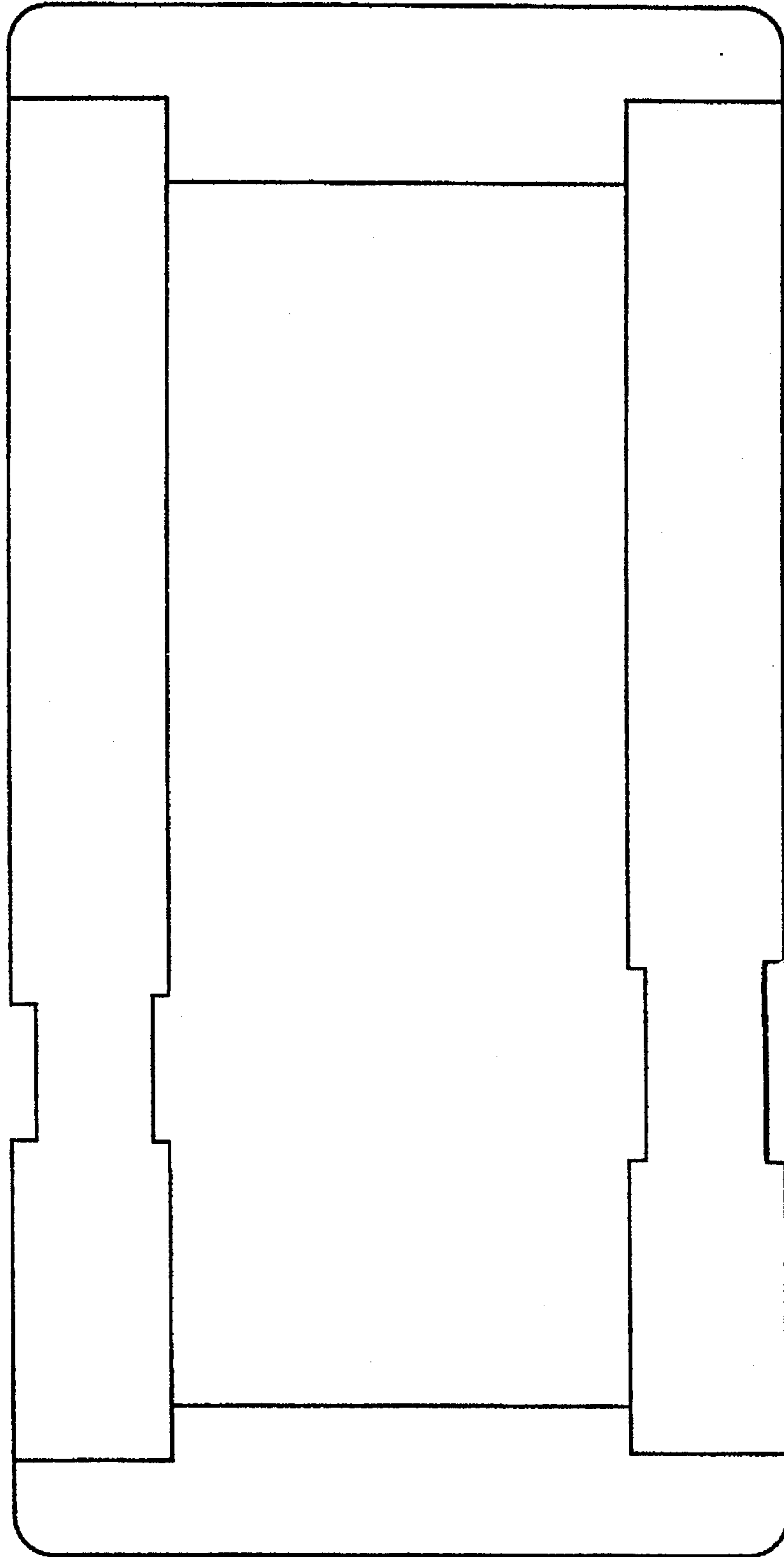


FIG. 4