



US00D375441S

United States Patent [19]

McCoy et al.

[11] Patent Number: **Des. 375,441**

[45] Date of Patent: ****Nov. 12, 1996**

[54] **SHARENING STONE**

[76] Inventors: **Duane K. McCoy**, Rte. 1 - Box 147,
Alma, Kans. 66001; **Howard R. Vermillion**, 505 S. Victory Blvd.,
Burbank, Calif. 91502

[**] Term: **14 Years**

[21] Appl. No.: **30,608**

[22] Filed: **Nov. 3, 1994**

[52] U.S. Cl. **D8/91**; D8/93

[58] Field of Search D8/90, 91, 92,
D8/93, 94; 76/82, 89.1, 81.3; 451/540,
548, 549; D25/139, 140, 143; D21/108;
D6/601

[56] **References Cited**

U.S. PATENT DOCUMENTS

D. 28,187	1/1898	Ormiston	D8/93
D. 30,996	6/1899	Pegg	D8/90
D. 285,042	8/1986	Sparks	D8/91

D. 296,518	7/1988	Sadler	D8/91
D. 309,543	7/1990	Goodman	D8/93
D. 333,081	2/1993	Glessner	D8/91
4,759,153	7/1988	Cohen	76/89.1

OTHER PUBLICATIONS

Atlanta Cuttery Catalog, 1994, Spyderco Profile Sharpener.

Primary Examiner—Philip S. Hyder
Attorney, Agent, or Firm—Jack C. Munro

[57] **CLAIM**

The ornamental design for a sharpening stone, as shown and described.

DESCRIPTION

FIG. 1 is an isometric view of the sharpening stone showing our new design;

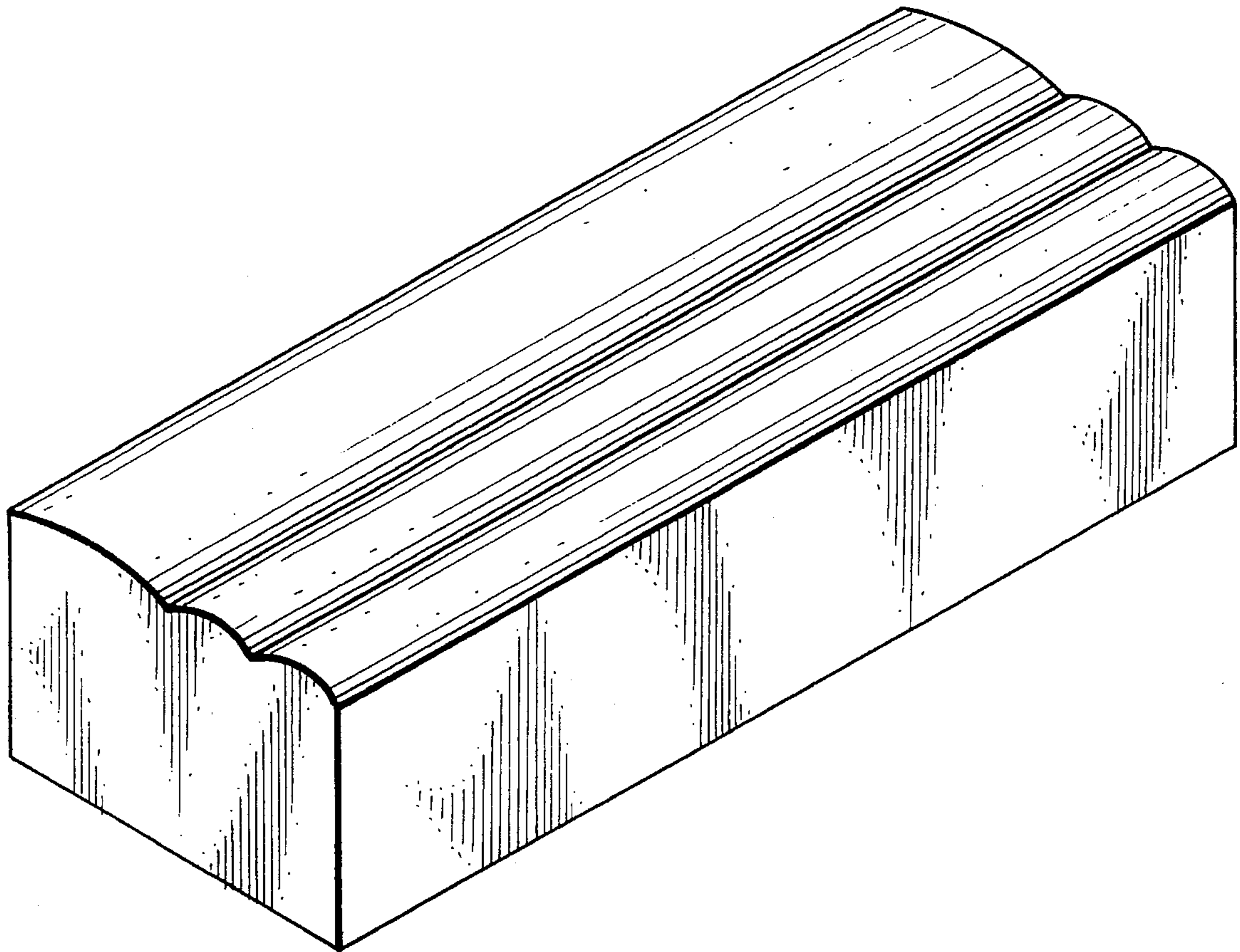
FIG. 2 is a front view thereof, with the rear view being identical but reversed;

FIG. 3 is a right side view thereof, with the left side being identical;

FIG. 4 is a top view thereof; and,

FIG. 5 is a bottom view thereof.

1 Claim, 1 Drawing Sheet



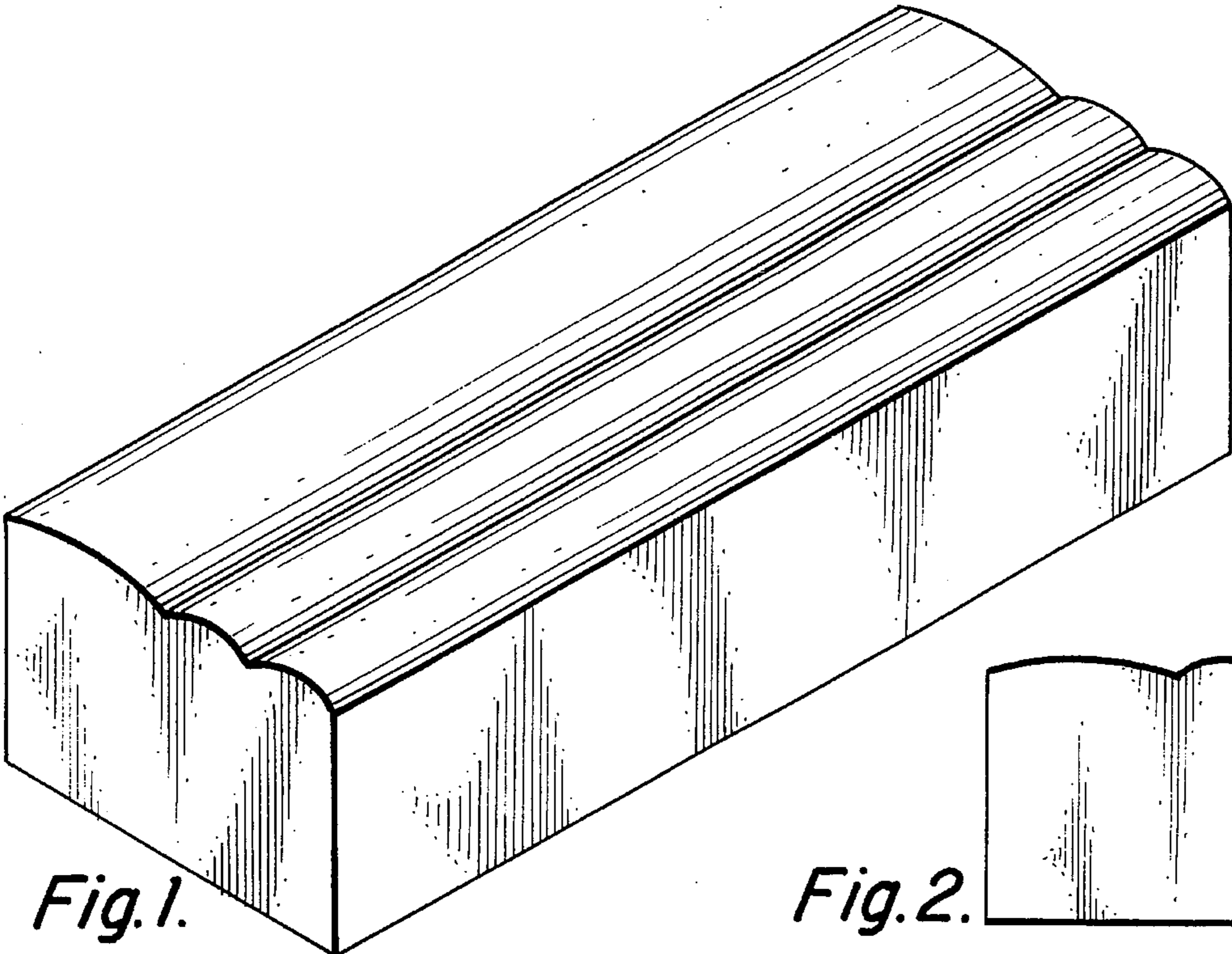


Fig. 1.

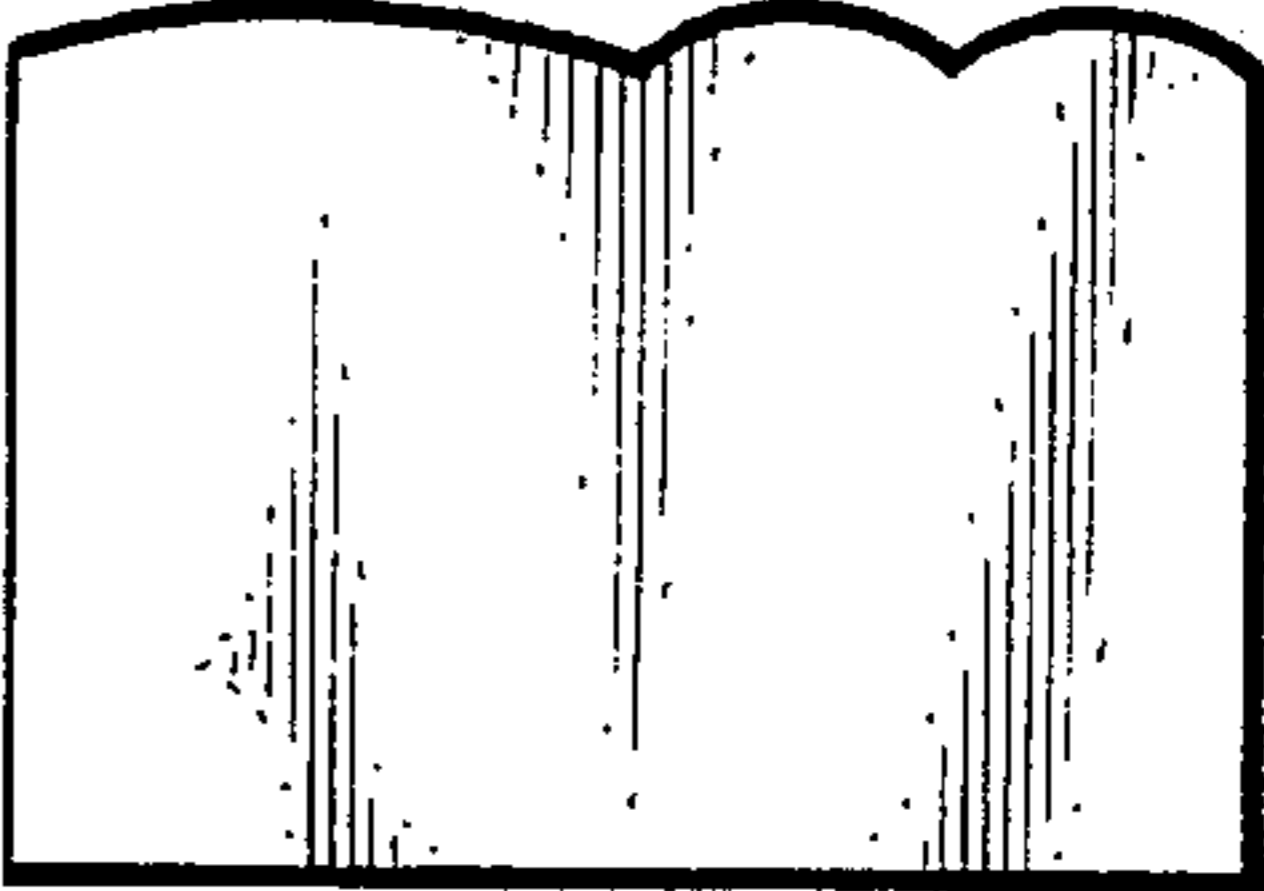


Fig. 2.

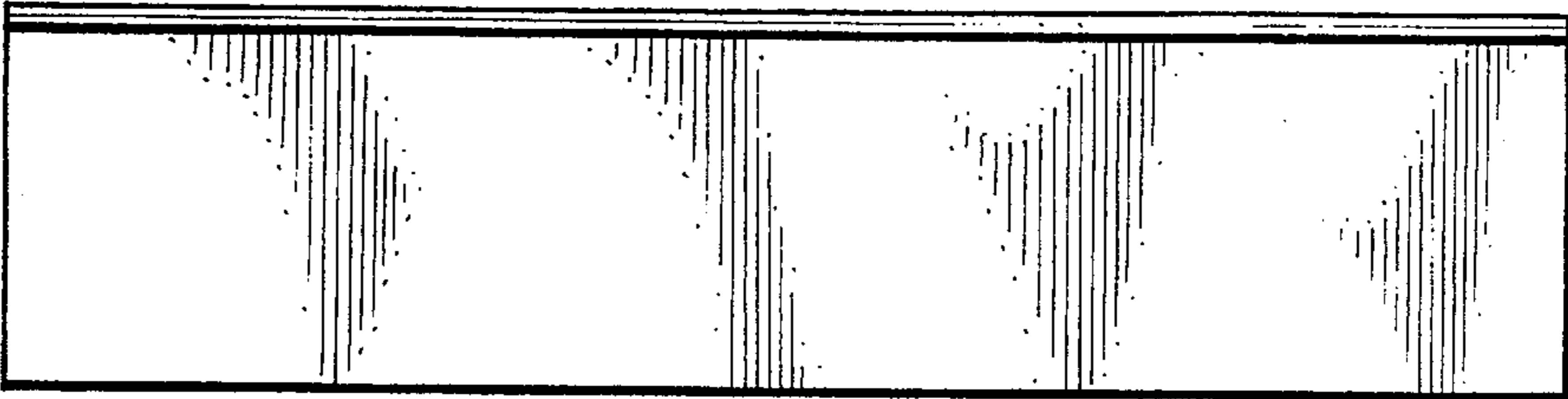


Fig. 3.

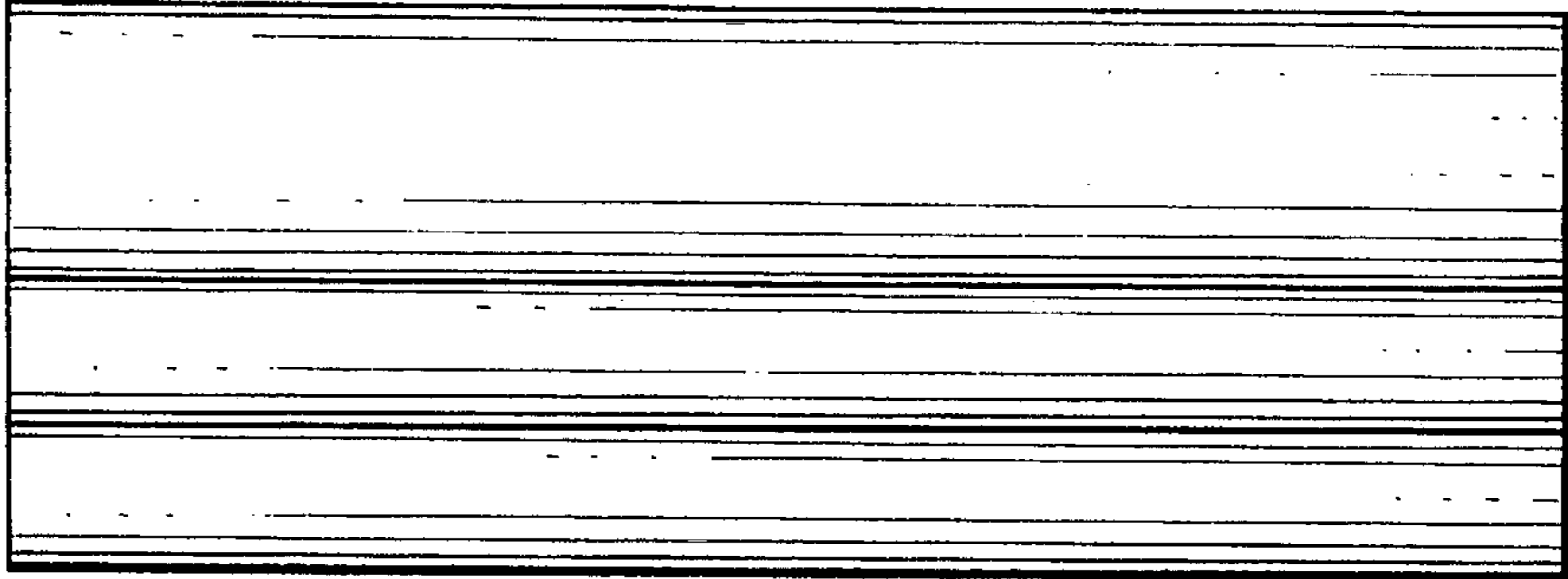


Fig. 4.

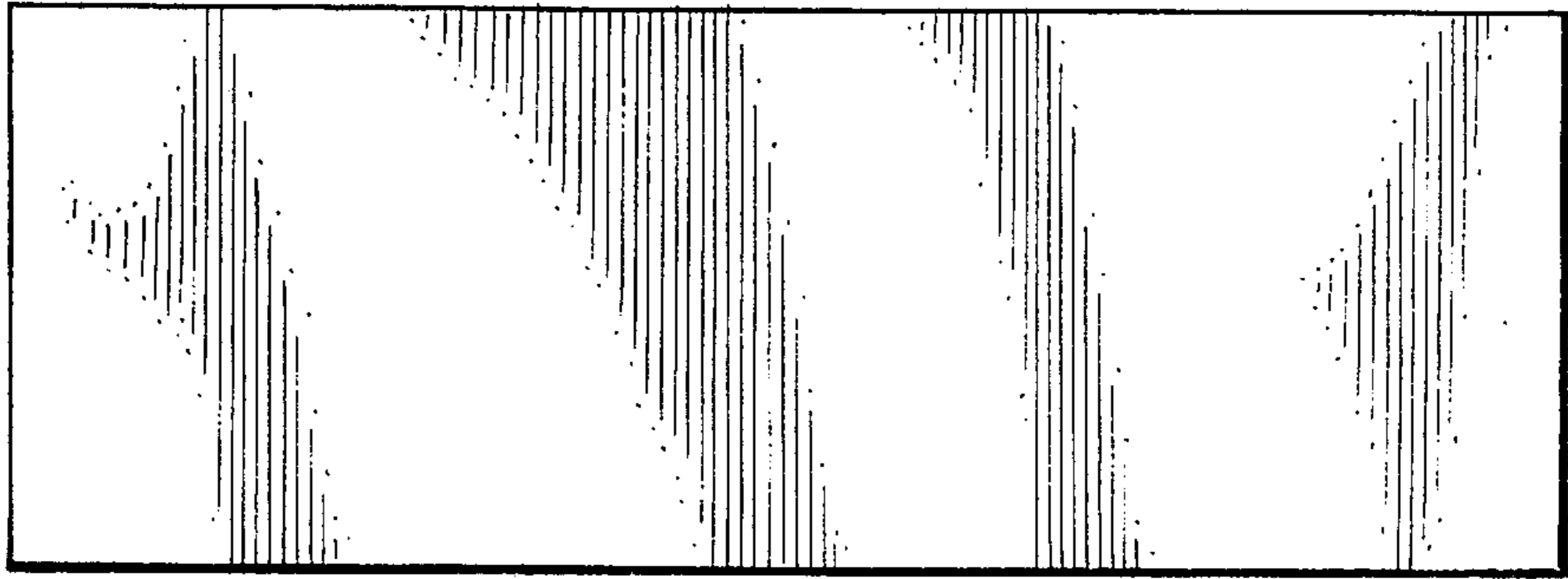


Fig. 5.

UNITED STATES PATENT AND TRADEMARK OFFICE
CERTIFICATE OF CORRECTION

PATENT NO. : Des. 375,441
DATED : November 12, 1996
INVENTOR(S) : McCoy, et al

It is certified that error appears in the above-identified patent and that said Letters Patent is hereby corrected as shown below:

On the title page, item [54], "SHARENING STONE" should read
-- SHARPENING STONE --

Signed and Sealed this
Fourth Day of March, 1997

Attest:



BRUCE LEHMAN

Attesting Officer

Commissioner of Patents and Trademarks