



US00D375439S

United States Patent [19]

Niwa et al.

[11] Patent Number: **Des. 375,439**

[45] Date of Patent: ****Nov. 12, 1996**

[54] **CORDLESS CIRCULAR SAW**

5,466,183 11/1995 Kim et al. 173/170

[75] Inventors: **Norifumi Niwa, Chiryu; Takefumi Furuta, Toyoake, both of Japan**

[73] Assignee: **Makita Corporation, Anjo, Japan**

[**] Term: **14 Years**

[21] Appl. No.: **40,654**

[22] Filed: **Jun. 23, 1995**

[30] **Foreign Application Priority Data**

Dec. 27, 1994 [JP] Japan 6-40479

[52] U.S. Cl. **D8/66**

[58] Field of Search D8/61, 66; D15/133;
30/388, 389, 390, 508; 83/835; 144/218;
173/169, 170

[56] **References Cited**

U.S. PATENT DOCUMENTS

D. 177,063	3/1956	Nesbitt	D8/61
D. 303,346	9/1989	Ogawa	D8/61
D. 363,656	10/1995	Gierke	D8/66
4,976,034	12/1990	Whitman	30/388
4,979,307	12/1990	Ste. Marie	30/388

OTHER PUBLICATIONS

Makita 3 3/8 in. Cordless Circular Saw, *Sears Power & Hand Tools* 1993-1994 Catalog, ©1993, p. 102.
Brochure (Sep. 1980) Makita "More Power Tool For Your Money" Japan; no date given.

Primary Examiner—B. J. Bullock
Assistant Examiner—Robert M. Spear
Attorney, Agent, or Firm—Lahive & Cockfield

[57] **CLAIM**

The ornamental design for a cordless circular saw, as shown and described.

DESCRIPTION

FIG. 1 is a perspective view of a cordless circular saw showing my new design;
FIG. 2 is a front elevational view thereof;
FIG. 3 is a rear elevational view thereof;
FIG. 4 is a top plan view thereof;
FIG. 5 is a bottom plan view thereof;
FIG. 6 is a left side elevational view thereof; and,
FIG. 7 is a right side elevational view thereof.

1 Claim, 4 Drawing Sheets

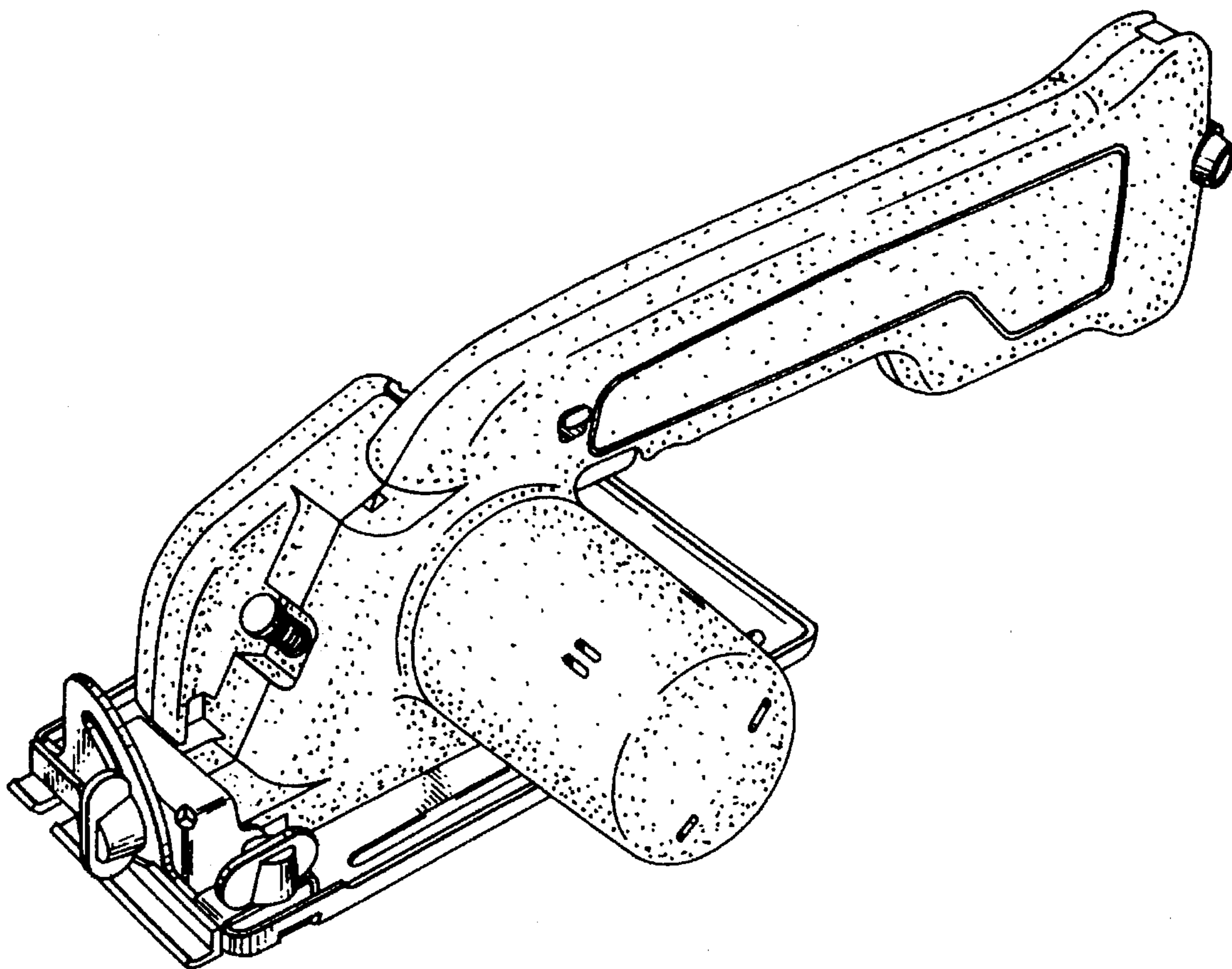


FIG. 1

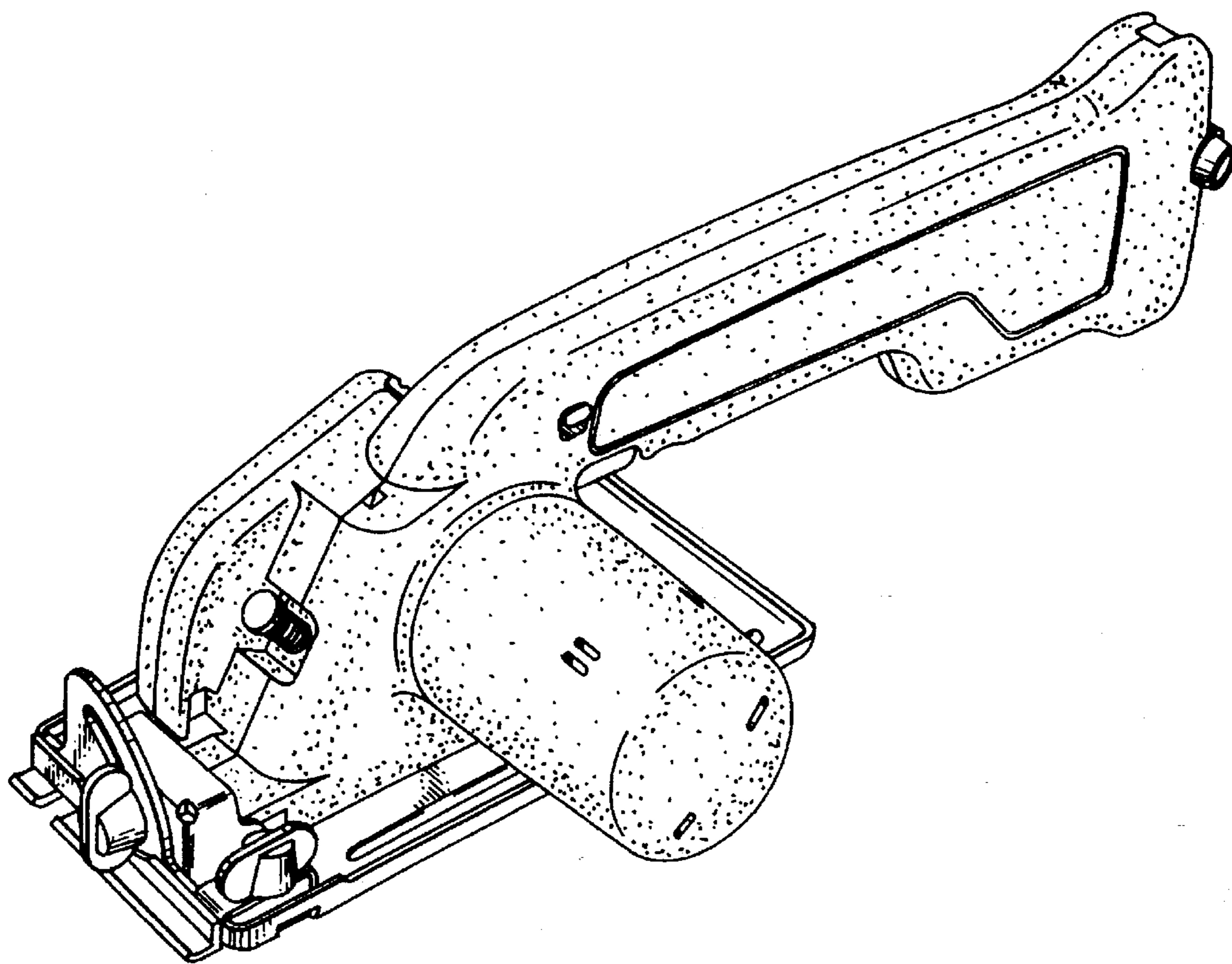


FIG. 2

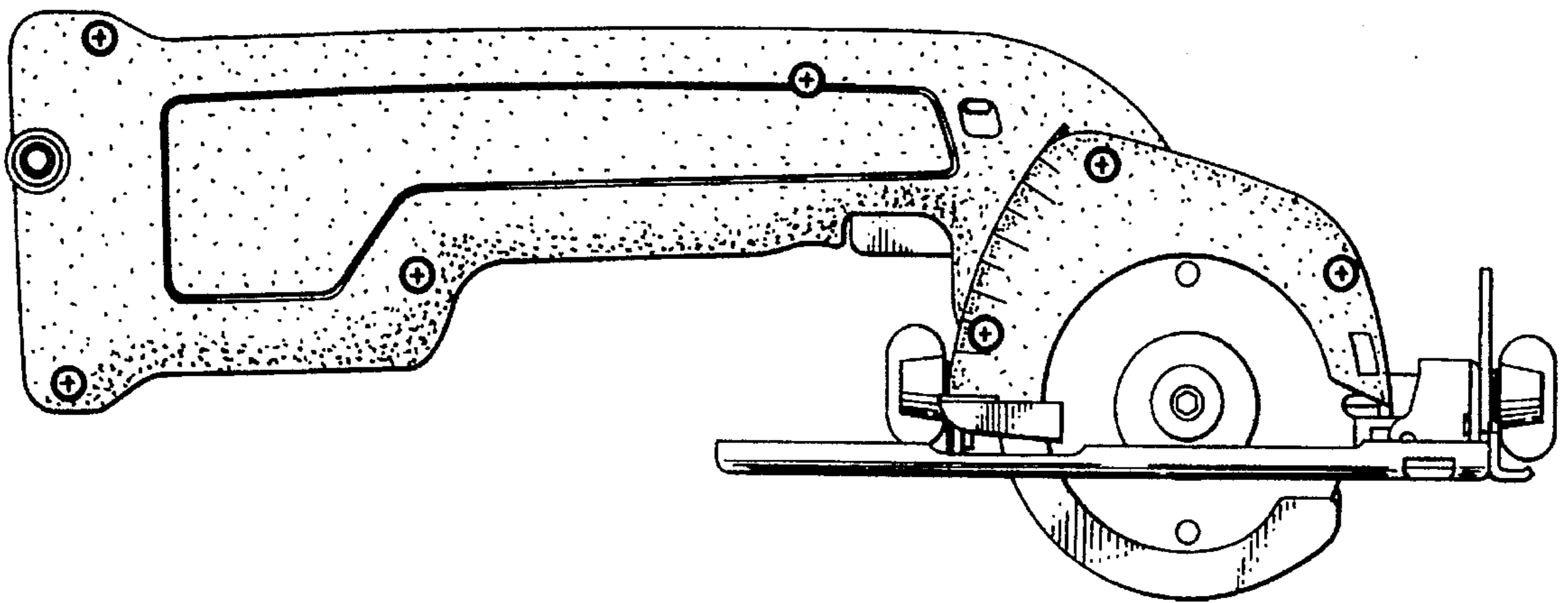


FIG. 3

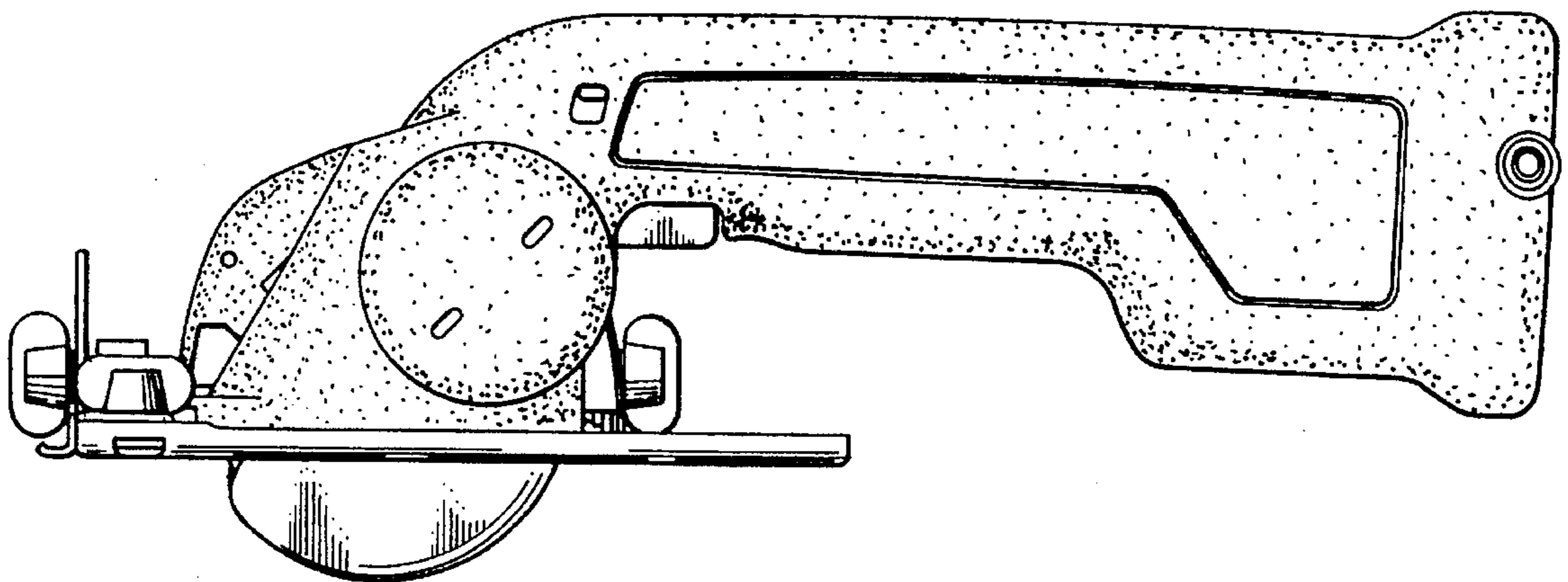


FIG. 4

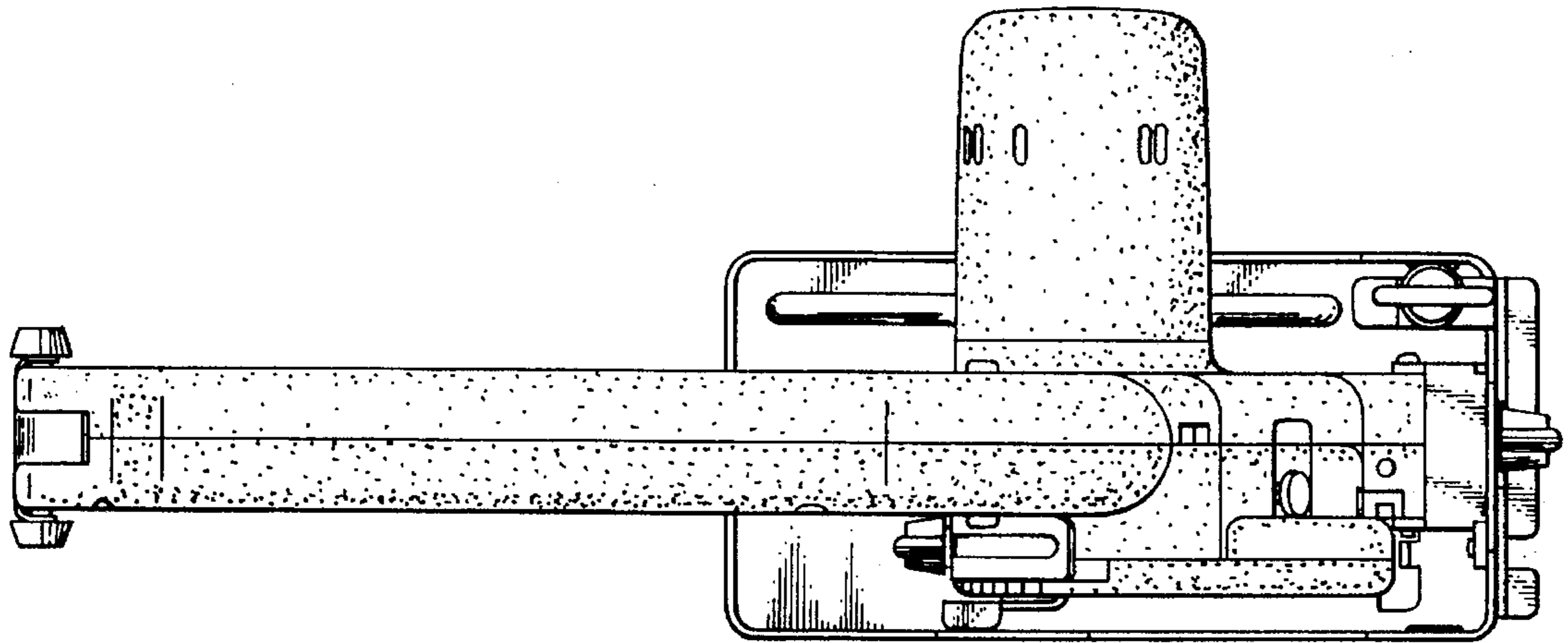


FIG. 5

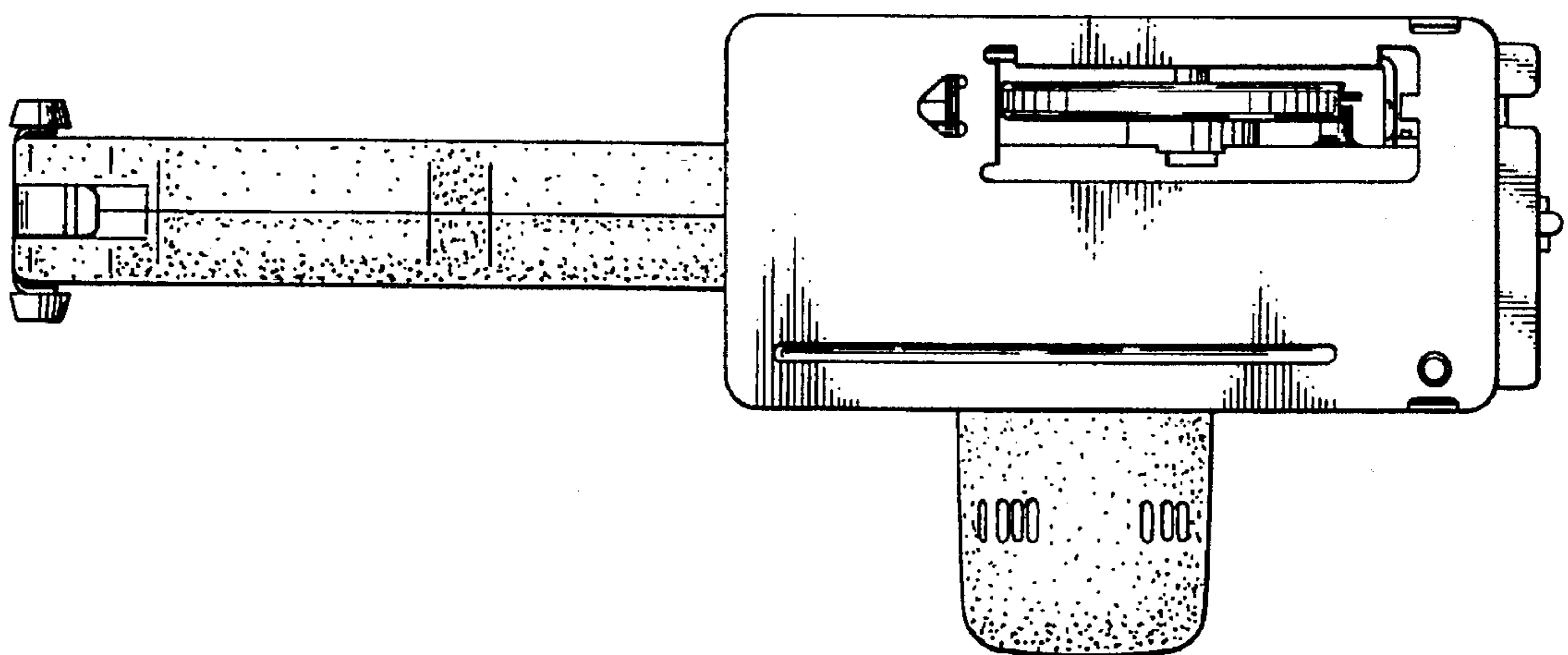


FIG. 6

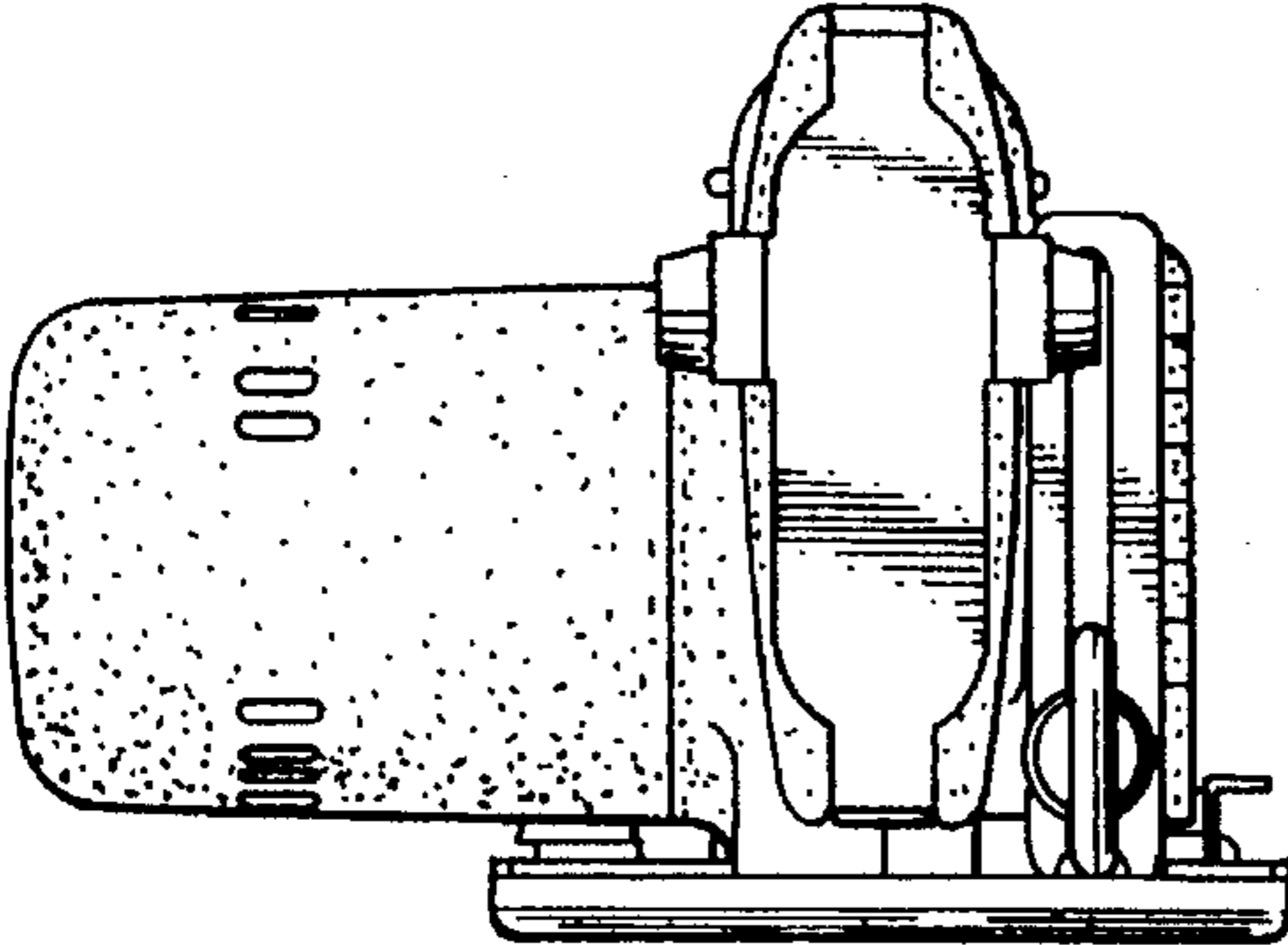


FIG. 7

