



US00D375436S

United States Patent [19]

[11] Patent Number: **Des. 375,436**

Bird et al.

[45] Date of Patent: ****Nov. 12, 1996**

[54] **COMBINED SIDE TABLES AND STAND FOR A BARBEQUE GRILL**

[75] Inventors: **Richard Bird; Edward Golladay, Jr.; Donald Payne**, all of Louisville, Ky.; **Randy Smitley**, Corydon, Ind.; **Calvin Sprinkle**, Borden, Ind.; **Marine Walls**, Jeffersonville, Ind.

[73] Assignee: **Porcelain Metals Corporaton**, Louisville, Ky.

[**] Term: **14 Years**

[21] Appl. No.: **27,088**

[22] Filed: **Aug. 12, 1994**

[52] U.S. Cl. **D7/403**

[58] Field of Search D7/332-337, 402-404; 126/25 R, 9 B, 25 A, 25 AA, 25 B, 9 R, 19 R, 29-30, 38, 40, 50, 59.5

[56] **References Cited**

U.S. PATENT DOCUMENTS

- D. 322,909 1/1992 Parent et al. .
- D. 325,316 4/1992 Parent et al. .
- D. 325,318 4/1992 Parent et al. .
- D. 327,805 7/1992 Parent et al. .

- D. 351,308 10/1994 Pai D7/334
- D. 356,924 4/1995 Pai D7/334
- 2,886,386 5/1959 Spitzer .
- 4,331,123 5/1982 Alles et al. 126/9 R
- 4,337,751 7/1982 Sampson et al. .
- 4,677,964 7/1987 Lohmeyer et al. .
- 4,762,114 8/1988 Blankemeyer .
- 4,966,125 10/1990 Stephen et al. .
- 5,016,607 5/1991 Doolittle et al. .
- 5,165,385 11/1992 Doolittle et al. .

Primary Examiner—Ruth McInroy
Attorney, Agent, or Firm—Middleton & Reutlinger; David W. Carrithers

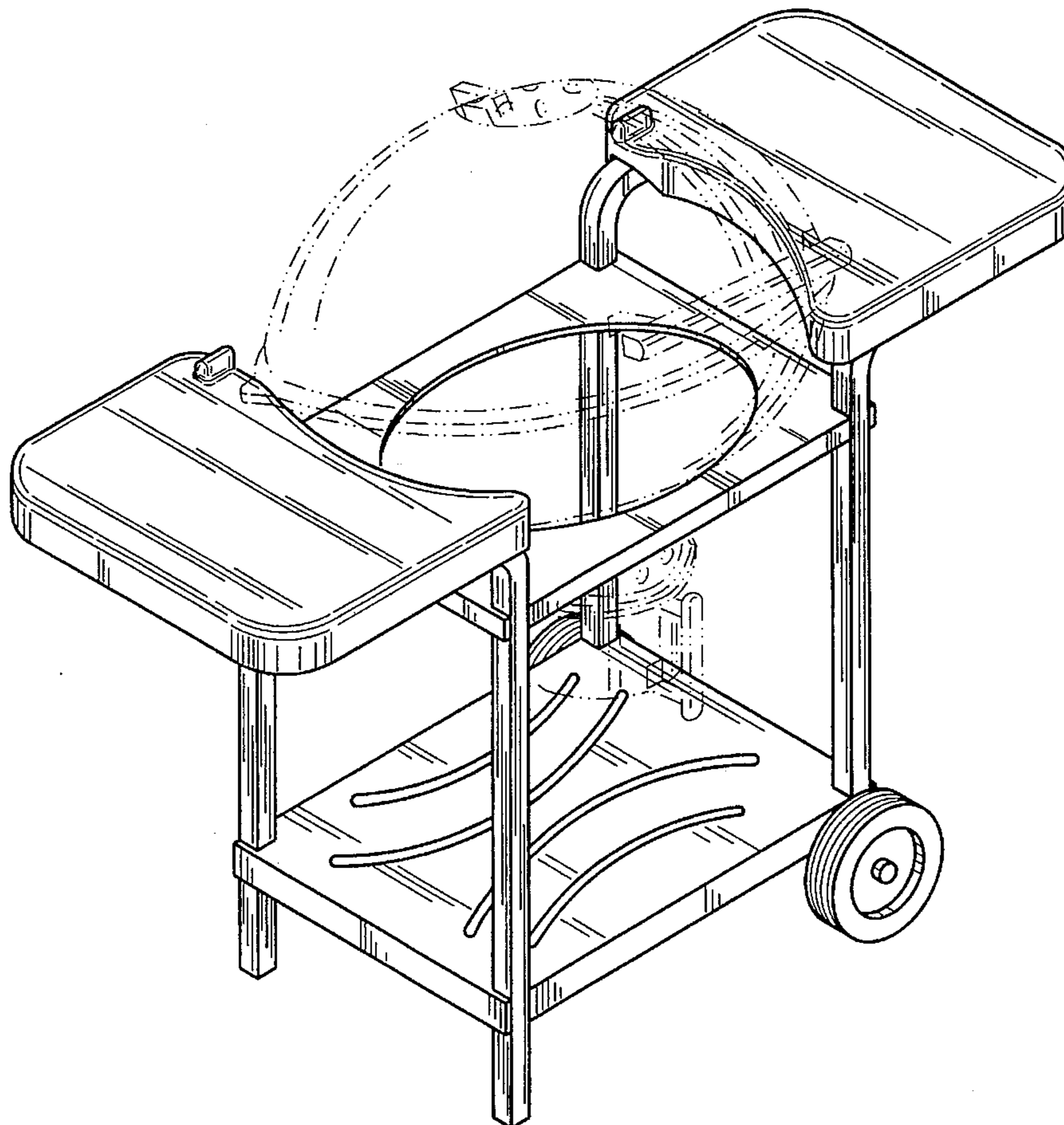
[57] **CLAIM**

The ornamental design for combined side tables and stand for a barbeque grill, as shown and described.

DESCRIPTION

FIG. 1 is a front perspective view of a combined side tables and stand for a barbeque grill, showing our new design; FIG. 2 is a top plan view thereof; FIG. 3 is a rear elevational view thereof; FIG. 4 is a left side elevational view the right side being a mirror image thereof; and, FIG. 5 is a bottom plan view thereof.

1 Claim, 3 Drawing Sheets



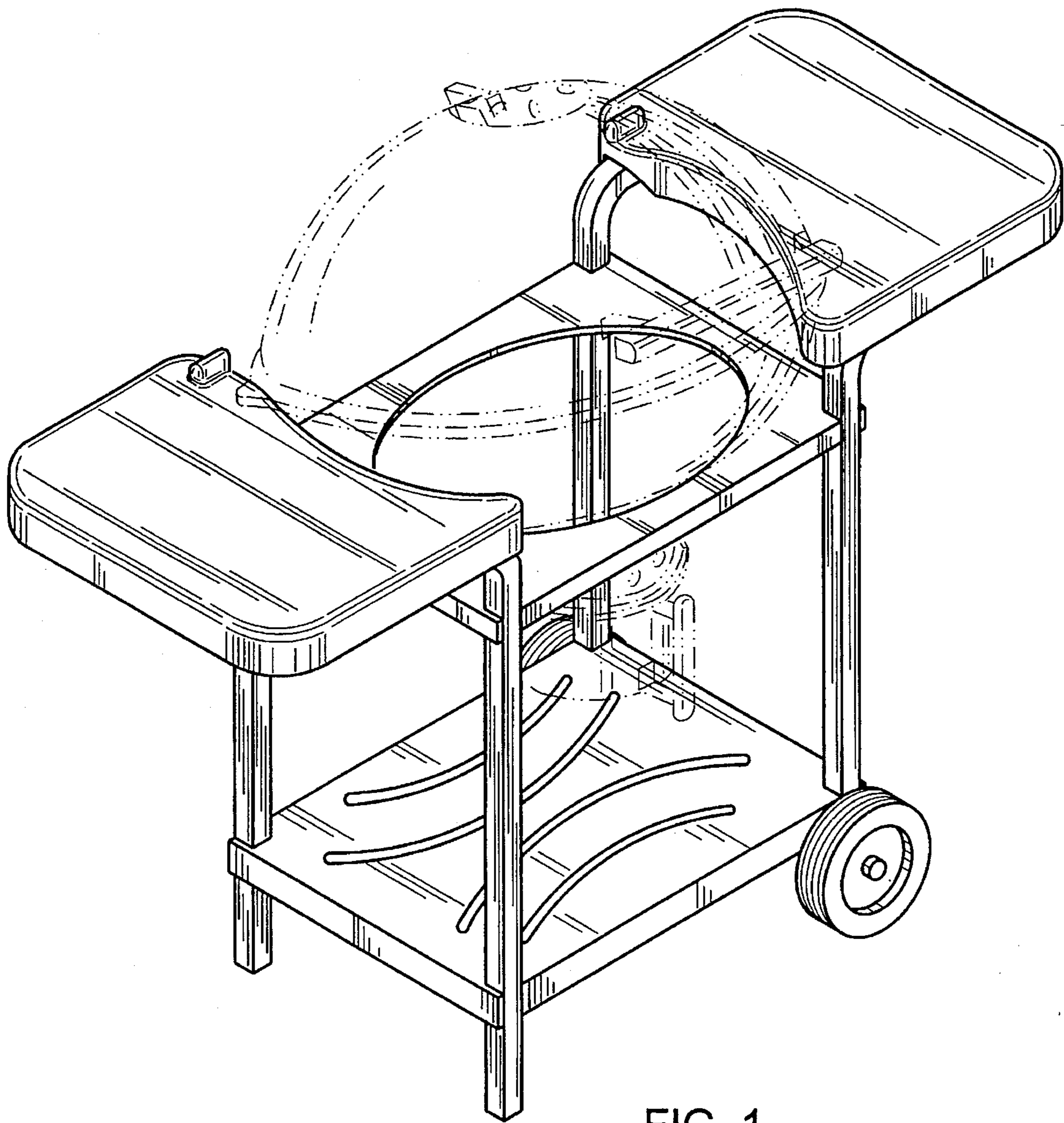


FIG. 1

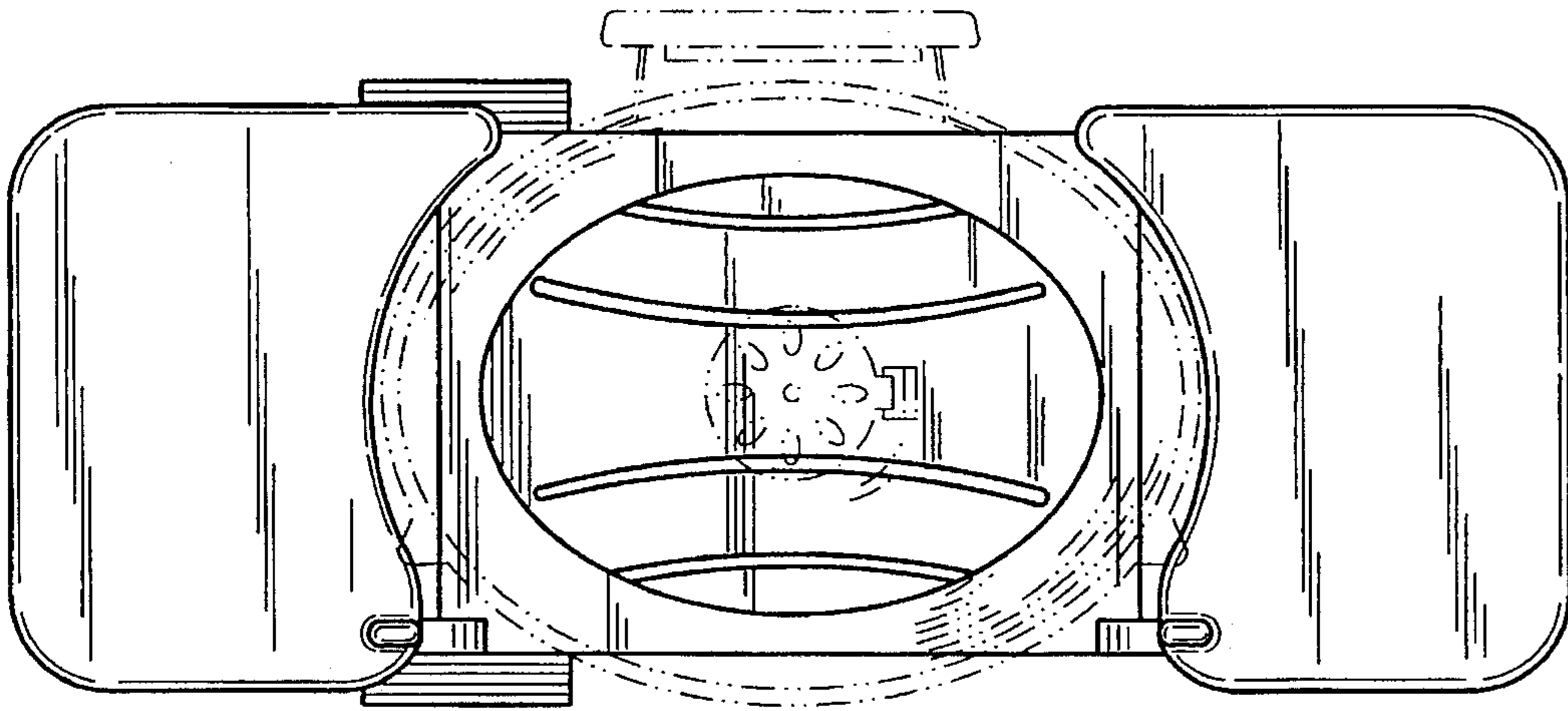


FIG. 2

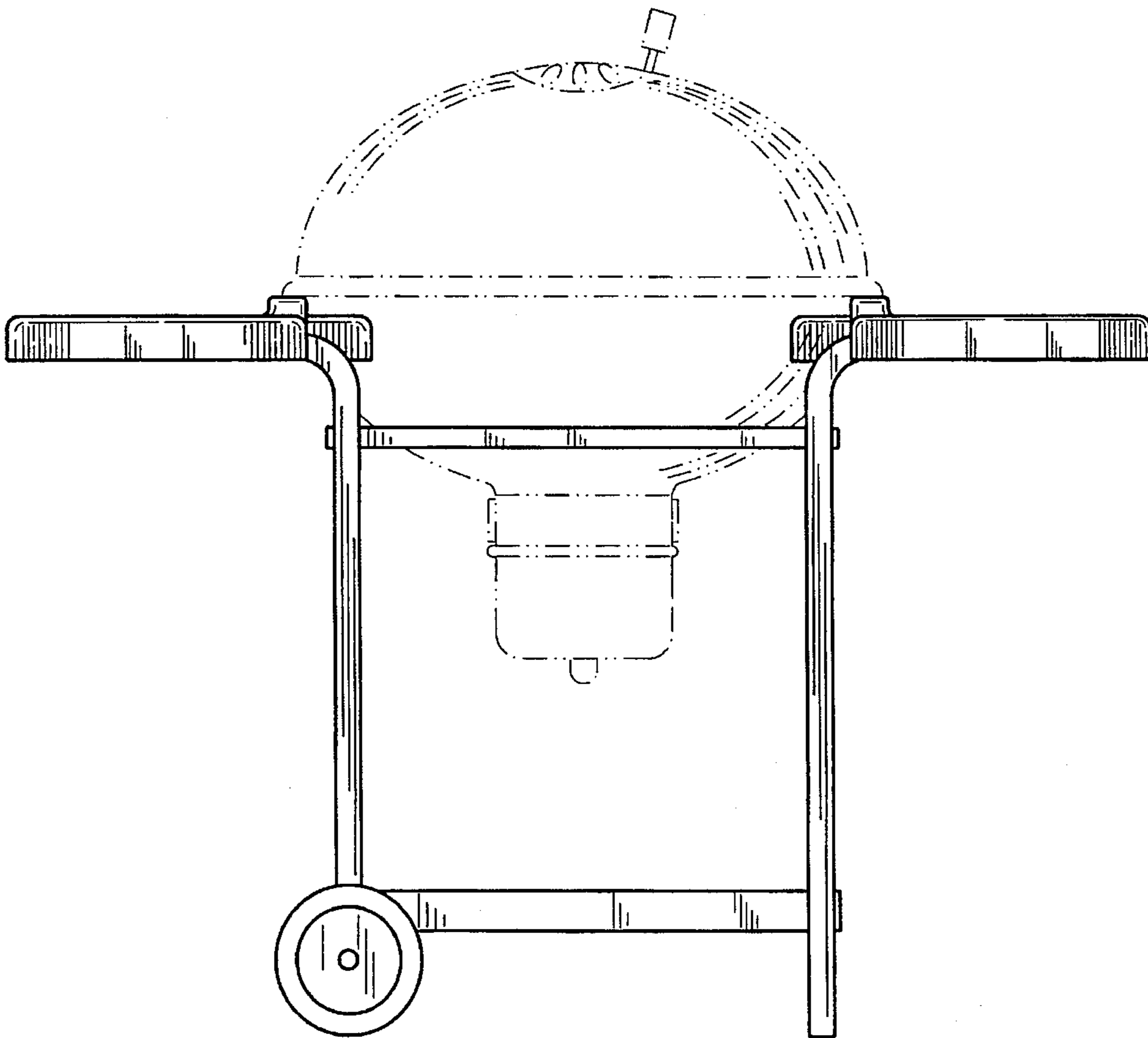


FIG. 3

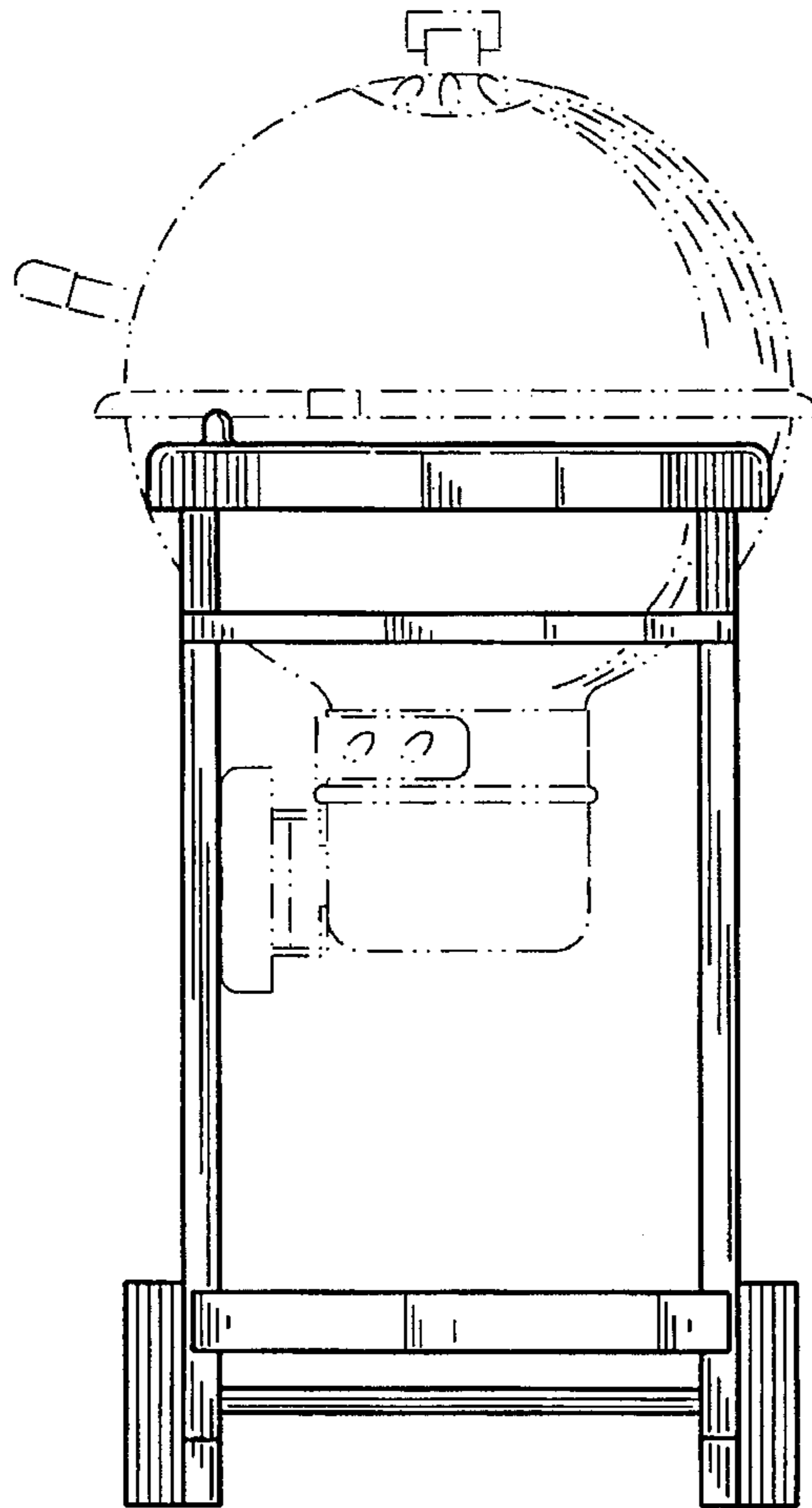


FIG. 4

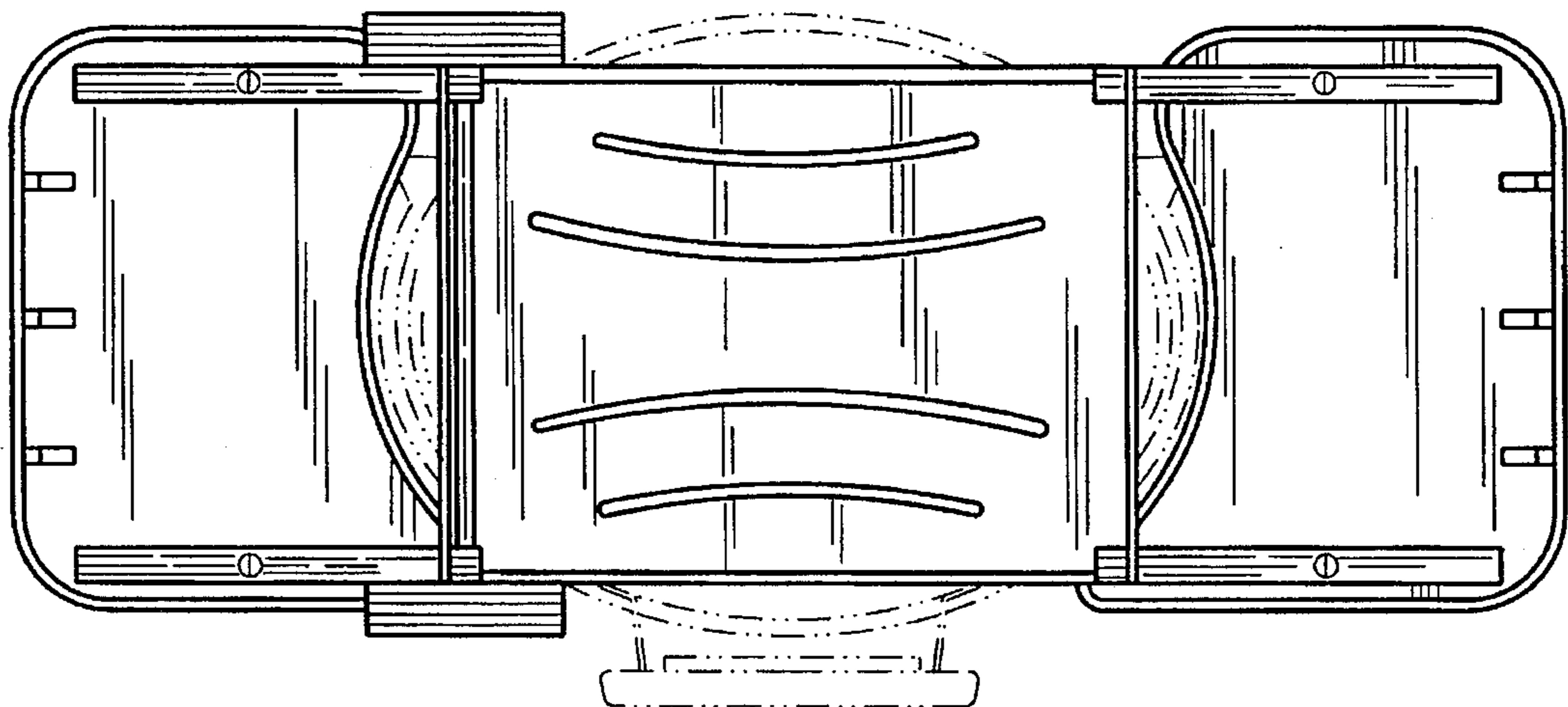


FIG. 5